



STATE OF MAINE  
DEPARTMENT OF ENVIRONMENTAL PROTECTION



JANET T. MILLS  
GOVERNOR

MELANIE LOYZIM  
COMMISSIONER

December 6, 2021

Ms. Francine Rudoff, Executive Director  
Watershed Center for Ceramic Arts  
103 Cochran Road  
Edgecomb, ME. 04556  
[frudoff@watershedceramics.org](mailto:frudoff@watershedceramics.org)

*Sent via electronic mail  
Delivery confirmation requested*

**RE:** *Maine ICIS Tracking # MEU508274  
Maine Waste Discharge License (WDL) Application #W008274-5S-A-N  
Finalized Waste Discharge License \*New\**

Dear Ms. Rudoff,

Enclosed please find a copy of your **final** Maine WDL which was approved by the Department of Environmental Protection. Please read this permit and its attached conditions carefully. Compliance with this license will protect water quality.

Any interested person aggrieved by a Department determination made pursuant to applicable regulations, may appeal the decision following the procedures described in the attached DEP FACT SHEET entitled “*Appealing a Commissioner’s Licensing Decision.*”

If you have any questions regarding the matter, please feel free to call me at 446-3820.

Your Department compliance inspector copied below is also a resource that can assist you with compliance. Please do not hesitate to contact them with any questions.

Thank you for your efforts to protect and improve the waters of the great state of Maine!

Sincerely,

Cindy L. Dionne  
Division of Water Quality Management  
Bureau of Water Quality  
ph: 207-446-3820

Enc.

AUGUSTA  
17 STATE HOUSE STATION  
AUGUSTA, MAINE 04333-0017  
(207) 287-7688 FAX: (207) 287-7826

BANGOR  
106 HOGAN ROAD, SUITE 6  
BANGOR, MAINE 04401  
(207) 941-4570 FAX: (207) 941-4584

PORTLAND  
312 CANCO ROAD  
PORTLAND, MAINE 04103  
(207) 822-6300 FAX: (207) 822-6303

PRESQUE ISLE  
1235 CENTRAL DRIVE, SKYWAY PARK  
PRESQUE ISLE, MAINE 04769  
(207) 764-0477 FAX: (207) 760-3143

Watershed Center for Ceramic Arts

December 6, 2021

Page 2 of 2

cc: Tom Danielson, DEP  
John Hopeck, DEP  
Pamela Parker, DEP  
James Crowley, DEP  
Lori Mitchell, DEP  
Alex Rosenberg, USEPA  
Nathan Chien, USEPA  
Richard Carvalho, USEPA  
Sandy Mojica, USEPA



# DEP INFORMATION SHEET

## Appealing a Department Licensing Decision

**Dated: August 2021**

**Contact: (207) 314-1458**

### **SUMMARY**

This document provides information regarding a person's rights and obligations in filing an administrative or judicial appeal of a licensing decision made by the Department of Environmental Protection's (DEP) Commissioner.

Except as provided below, there are two methods available to an aggrieved person seeking to appeal a licensing decision made by the DEP Commissioner: (1) an administrative process before the Board of Environmental Protection (Board); or (2) a judicial process before Maine's Superior Court. An aggrieved person seeking review of a licensing decision over which the Board had original jurisdiction may seek judicial review in Maine's Superior Court.

A judicial appeal of final action by the Commissioner or the Board regarding an application for an expedited wind energy development ([35-A M.R.S. § 3451\(4\)](#)) or a general permit for an offshore wind energy demonstration project ([38 M.R.S. § 480-HH\(1\)](#)) or a general permit for a tidal energy demonstration project ([38 M.R.S. § 636-A](#)) must be taken to the Supreme Judicial Court sitting as the Law Court.

### **I. ADMINISTRATIVE APPEALS TO THE BOARD**

#### **LEGAL REFERENCES**

A person filing an appeal with the Board should review Organization and Powers, [38 M.R.S. §§ 341-D\(4\)](#) and [346](#); the Maine Administrative Procedure Act, 5 M.R.S. § [11001](#); and the DEP's [Rule Concerning the Processing of Applications and Other Administrative Matters \(Chapter 2\)](#), 06-096 C.M.R. ch. 2.

#### **DEADLINE TO SUBMIT AN APPEAL TO THE BOARD**

Not more than 30 days following the filing of a license decision by the Commissioner with the Board, an aggrieved person may appeal to the Board for review of the Commissioner's decision. The filing of an appeal with the Board, in care of the Board Clerk, is complete when the Board receives the submission by the close of business on the due date (5:00 p.m. on the 30<sup>th</sup> calendar day from which the Commissioner's decision was filed with the Board, as determined by the received time stamp on the document or electronic mail). Appeals filed after 5:00 p.m. on the 30<sup>th</sup> calendar day from which the Commissioner's decision was filed with the Board will be dismissed as untimely, absent a showing of good cause.

#### **HOW TO SUBMIT AN APPEAL TO THE BOARD**

An appeal to the Board may be submitted via postal mail or electronic mail and must contain all signatures and required appeal contents. An electronic filing must contain the scanned original signature of the appellant(s). The appeal documents must be sent to the following address.

Chair, Board of Environmental Protection  
c/o Board Clerk  
17 State House Station  
Augusta, ME 04333-0017  
[ruth.a.burke@maine.gov](mailto:ruth.a.burke@maine.gov)

The DEP may also request the submittal of the original signed paper appeal documents when the appeal is filed electronically. The risk of material not being received in a timely manner is on the sender, regardless of the method used.

At the time an appeal is filed with the Board, the appellant must send a copy of the appeal to: (1) the Commissioner of the DEP (Maine Department of Environmental Protection, 17 State House Station, Augusta, Maine 04333-0017); (2) the licensee; and if a hearing was held on the application, (3) any intervenors in that hearing proceeding. **Please contact the DEP at 207-287-7688 with questions or for contact information regarding a specific licensing decision.**

#### **REQUIRED APPEAL CONTENTS**

A complete appeal must contain the following information at the time the appeal is submitted.

1. *Aggrieved status.* The appeal must explain how the appellant has standing to bring the appeal. This requires an explanation of how the appellant may suffer a particularized injury as a result of the Commissioner's decision.
2. *The findings, conclusions, or conditions objected to or believed to be in error.* The appeal must identify the specific findings of fact, conclusions of law, license conditions, or other aspects of the written license decision or of the license review process that the appellant objects to or believes to be in error.
3. *The basis of the objections or challenge.* For the objections identified in Item #2, the appeal must state why the appellant believes that the license decision is incorrect and should be modified or reversed. If possible, the appeal should cite specific evidence in the record or specific licensing criteria that the appellant believes were not properly considered or fully addressed.
4. *The remedy sought.* This can range from reversal of the Commissioner's decision on the license to changes in specific license conditions.
5. *All the matters to be contested.* The Board will limit its consideration to those matters specifically raised in the written notice of appeal.
6. *Request for hearing.* If the appellant wishes the Board to hold a public hearing on the appeal, a request for hearing must be filed as part of the notice of appeal, and it must include an offer of proof regarding the testimony and other evidence that would be presented at the hearing. The offer of proof must consist of a statement of the substance of the evidence, its relevance to the issues on appeal, and whether any witnesses would testify. The Board will hear the arguments in favor of and in opposition to a hearing on the appeal and the presentations on the merits of an appeal at a regularly scheduled meeting. If the Board decides to hold a public hearing on an appeal, that hearing will then be scheduled for a later date.
7. *New or additional evidence to be offered.* If an appellant wants to provide evidence not previously provided to DEP staff during the DEP's review of the application, the request and the proposed supplemental evidence must be submitted with the appeal. The Board may allow new or additional evidence to be considered in an appeal only under limited circumstances. The proposed supplemental evidence must be relevant and material, and (a) the person seeking to add information to the record must show due diligence in bringing the evidence to the DEP's attention at the earliest possible time in the licensing process; or (b) the evidence itself must be newly discovered and therefore unable to have been presented earlier in the process. Requirements for supplemental evidence are set forth in [Chapter 2 § 24](#).

#### **OTHER CONSIDERATIONS IN APPEALING A DECISION TO THE BOARD**

1. *Be familiar with all relevant material in the DEP record.* A license application file is public information, subject to any applicable statutory exceptions, and is made accessible by the DEP. Upon request, the DEP will make application materials available to review and photocopy during normal working hours. There may be a charge for copies or copying services.

2. *Be familiar with the regulations and laws under which the application was processed, and the procedural rules governing the appeal.* DEP staff will provide this information upon request and answer general questions regarding the appeal process.
3. *The filing of an appeal does not operate as a stay to any decision.* If a license has been granted and it has been appealed, the license normally remains in effect pending the processing of the appeal. Unless a stay of the decision is requested and granted, a licensee may proceed with a project pending the outcome of an appeal, but the licensee runs the risk of the decision being reversed or modified as a result of the appeal.

#### **WHAT TO EXPECT ONCE YOU FILE A TIMELY APPEAL WITH THE BOARD**

The Board will acknowledge receipt of an appeal, and it will provide the name of the DEP project manager assigned to the specific appeal. The notice of appeal, any materials admitted by the Board as supplementary evidence, any materials admitted in response to the appeal, relevant excerpts from the DEP's administrative record for the application, and the DEP staff's recommendation, in the form of a proposed Board Order, will be provided to Board members. The appellant, the licensee, and parties of record are notified in advance of the date set for the Board's consideration of an appeal or request for a hearing. The appellant and the licensee will have an opportunity to address the Board at the Board meeting. The Board will decide whether to hold a hearing on appeal when one is requested before deciding the merits of the appeal. The Board's decision on appeal may be to affirm all or part, affirm with conditions, order a hearing to be held as expeditiously as possible, reverse all or part of the decision of the Commissioner, or remand the matter to the Commissioner for further proceedings. The Board will notify the appellant, the licensee, and parties of record of its decision on appeal.

## **II. JUDICIAL APPEALS**

Maine law generally allows aggrieved persons to appeal final Commissioner or Board licensing decisions to Maine's Superior Court (see [38 M.R.S. § 346\(1\)](#); 06-096 C.M.R. ch. 2; [5 M.R.S. § 11001](#); and M.R. Civ. P. 80C). A party's appeal must be filed with the Superior Court within 30 days of receipt of notice of the Board's or the Commissioner's decision. For any other person, an appeal must be filed within 40 days of the date the decision was rendered. An appeal to court of a license decision regarding an expedited wind energy development, a general permit for an offshore wind energy demonstration project, or a general permit for a tidal energy demonstration project may only be taken directly to the Maine Supreme Judicial Court. See 38 M.R.S. § 346(4).

Maine's Administrative Procedure Act, DEP statutes governing a particular matter, and the Maine Rules of Civil Procedure must be consulted for the substantive and procedural details applicable to judicial appeals.

#### **ADDITIONAL INFORMATION**

If you have questions or need additional information on the appeal process, for administrative appeals contact the Board Clerk at 207-287-2811 or the Board Executive Analyst at 207-314-1458 [bill.hinkel@maine.gov](mailto:bill.hinkel@maine.gov), or for judicial appeals contact the court clerk's office in which the appeal will be filed.

---

**Note: This information sheet, in conjunction with a review of the statutory and regulatory provisions referred to herein, is provided to help a person to understand their rights and obligations in filing an administrative or judicial appeal. The DEP provides this information sheet for general guidance only; it is not intended for use as a legal reference. Maine law governs an appellant's rights.**

---



STATE OF MAINE  
DEPARTMENT OF ENVIRONMENTAL PROTECTION  
17 STATE HOUSE STATION AUGUSTA, MAINE 04333-0017

DEPARTMENT ORDER

**IN THE MATTER OF**

WATERSHED CENTER FOR CERAMIC ARTS )	PROTECTION AND IMPROVEMENT
NEWCASTLE, LINCOLN CTY, MAINE )	OF WATERS
SUBSURFACE WASTEWATER DISPOSAL )	
MEU508274 )	WASTE DISCHARGE LICENSE
W008274-5S-A-N )	NEW
<b>APPROVAL</b> )	

Pursuant to *Conditions of licenses*, 38 M.R.S. § 414-A, and applicable regulations, the Department of Environmental Protection (Department) has considered the application of the WATERSHED CENTER FOR CERAMIC ARTS (Center/licensee), with its supportive data, agency review comments, and other related materials on file and FINDS THE FOLLOWING FACTS:

**APPLICATION SUMMARY**

On March 9, 2021, the Department accepted as complete for processing an application from the Center for a new Waste Discharge License (WDL) to discharge up to 100 gallons per day (gpd) of treated ceramic studio sink wastewater via an infiltration basin (after settling treatment) to groundwater, Class GW-A in Newcastle, Maine. Per the application, sink wastewater will consist of clay and fine sand, household cleaners/soap, small amounts of glazes associated with cleaning containers and brushes.

**LICENSE SUMMARY**

This licensing action is establishing the following terms and conditions:

1. Total suspended solids (TSS), flow, total metals monitoring, pH and metals monitoring and limits on the effluent discharge based on the application materials;
2. Special and Standard Conditions to ensure compliance with State Rules and Statute.

*This space intentionally left blank.*

## CONCLUSIONS

Based on the findings summarized in the attached and incorporated Fact Sheet dated December 6, 2021, and subject to the special and standard conditions that follow, the Department makes the following CONCLUSIONS:

1. The discharge, either by itself or in combination with other discharges, will not lower the quality of any classified body of water below such classification.
2. The discharge, either by itself or in combination with other discharges, will not lower the quality of any unclassified body of water below the classification which the Department expects to adopt in accordance with state law.
3. The provisions of the State's antidegradation policy, *Classification of Maine waters*, 38 M.R.S. § 464(4)(F), will be met, in that:
  - a. Existing in-stream water uses and the level of water quality necessary to protect and maintain those existing uses will be maintained and protected;
  - b. Where high quality waters of the State constitute an outstanding natural resource, that water quality will be maintained and protected;
  - c. Where the standards of classification of the receiving waterbody are not met, the discharge will not cause or contribute to the failure of the waterbody to meet the standards of classification;
  - d. Where the actual quality of any classified receiving waterbody exceeds the minimum standards of the next highest classification that higher water quality will be maintained and protected; and
  - e. Where a discharge will result in lowering the existing water quality of any waterbody, the Department has made the finding, following opportunity for public participation, that this action is necessary to achieve important economic or social benefits to the State.
4. The discharge will be subject to effluent limitations that require application of best practicable treatment as defined in *Conditions of licenses*, 38 M.R.S. § 414-A(1)(D).

*This space intentionally left blank*

**ACTION**


THEREFORE, the Department APPROVES the above noted application of the WATERSHED CENTER FOR CERAMIC ARTS to discharge up to 100 gpd of ceramic study sink wastewater via an infiltration basin (after settling treatment) to groundwater, Class GW-A in Newcastle, Maine, SUBJECT TO THE ATTACHED CONDITIONS, and all applicable standards and regulations including:

1. *Maine Pollutant Discharge Elimination System Permit Standard Conditions Applicable to All Permits*, revised July 1, 2002, copy attached.
2. The attached Special Conditions, including any effluent limitations and monitoring requirements.
3. This license and the authorization to discharge become effective upon the date of signature below and expire at midnight five (5) years from the effective date. If a renewal application is timely submitted and accepted as complete for processing prior to the expiration of this license, the authorization to discharge and the terms and conditions of this license and all modifications and minor revisions thereto remain in effect until a final Department decision on the renewal application becomes effective. [*Maine Administrative Procedure Act*, 5 M.R.S. § 10002 and *Rules Concerning the Processing of Applications and Other Administrative Matters*, 06-096 CMR 2(21)(A) (amended June 9, 2018)].

PLEASE NOTE ATTACHED SHEET FOR GUIDANCE ON APPEAL PROCEDURES

DONE AND DATED AT AUGUSTA, MAINE, THIS 6 DAY OF December 2021.

DEPARTMENT OF ENVIRONMENTAL PROTECTION

BY:   
\_\_\_\_\_

for Melanie Loyzim, Commissioner

**FILED**  
DEC 6, 2021  
State of Maine  
Board of Environmental Protection

Date filed with Board of Environmental Protection  
Date of initial receipt of application: March 9, 2021  
Date of application acceptance: March 23, 2021

This Order prepared by Cindy Dionne, BUREAU OF WATER QUALITY



**SPECIAL CONDITIONS**

**A. EFFLUENT LIMITATIONS AND MONITORING REQUIREMENTS**

1. Beginning the effective date of this license, the licensee is authorized to operate a surface wastewater treatment and disposal system. The treatment effluent (**OUTFALL #001**) must be limited and monitored as specified below<sup>(1)</sup>:

Effluent Characteristic	Discharge Limitations		Minimum Monitoring Requirements	
	Monthly Average	Daily Maximum	Measurement Frequency	Sample Type
Flow [50050]	---	100 gpd [07]	1/Month [01/30]	Calculate [CA]
Total Suspended Solids [00530]	---	Report mg/L [19]	1/Quarter [01/90]	Grab [GR]
pH (Standard Units) [00400]	---	6.0-9.0 Standard Units [12]	1/Quarter [01/90]	Grab [GR]
Metals (Total): Arsenic, Barium, Chromium, Cobalt, Copper, Lead, Nickel and Zinc [01002, 01034, 01042, 01051, 01067, 01092]	---	Report µg/L [28]	Annually <sup>(2)</sup> [01/YR]	Grab [GR]

The bracketed italicized numeric values in the table above and the tables that follow are code numbers that the Department personnel utilize to code the monthly Discharge Monitoring Reports.

**FOOTNOTES:** See Pages 5 of this license for applicable footnotes.

## **SPECIAL CONDITIONS**

### **A. EFFLUENT LIMITATIONS AND MONITORING REQUIREMENTS (cont'd)**

#### **FOOTNOTES:** For Special Condition A(1)

**Sampling** – Any change in sampling location must be approved by the Department in writing. The licensee must conduct sampling and analysis in accordance with; a) methods approved by 40 Code of Federal Regulations (CFR) Part 136, b) alternative methods approved by the Department in accordance with the procedures in 40 CFR Part 136, or c) as otherwise specified by the Department. Samples that are sent out for analysis must be analyzed by a laboratory certified by the State of Maine's Department of Health and Human Services for wastewater. Samples that are sent to a publicly owned treatment works (POTW) pursuant to *Waste discharge licenses*, 38 M.R.S. § 413 are subject to the provisions and restrictions of *Maine Comprehensive and Limited Environmental Laboratory Certification Rules*, 10-144 CMR 263 (effective December 19, 2018). Laboratory facilities that analyze compliance samples in-house are subject to the provisions and restrictions of 10 – 144 CMR 263. If the licensee monitors any pollutant more frequently than required by the license using test procedures approved under 40 CFR Part 136 or as specified in this license, the results of this monitoring must be included in the calculation and reporting of the data submitted in the discharge monitoring report (DMR).

1. **Treatment System Effluent Sampling Location** – Treatment system effluent sampling must be conducted at a point prior to the infiltration basin and must be representative of what is dispersed into the basin.
2. **Screening Level Metals Testing** – The licensee must conduct one round of testing annually for the specified metals when colorants, stains, and or glazes may be present so as to characterize their potential discharge to the treatment system.

### **B. NARRATIVE EFFLUENT LIMITATIONS**

1. The effluent must not contain materials in concentrations or combinations which are hazardous or toxic to aquatic life, or which would impair the use designated by the classification of the groundwater.
2. The effluent must not lower the quality of any classified body of groundwater below such classification, (groundwater is a classified body of water under 38 M.R.S. § 465-C) or lower the existing quality of any body of water if the existing quality is higher than the classification.

### **C. AUTHORIZED DISCHARGES**

The licensee is authorized to discharge only in accordance with: 1) the licensee's General Application for Waste Discharge License, accepted for processing on March 23, 2021; 2) the terms and conditions of this license; and 3) only to the proposed infiltration basin. Discharges of wastewater from any other point source(s) are not authorized under this license and must be reported in accordance with Standard Condition D(1)(F), *Twenty-four hour reporting*, of this license.

## **SPECIAL CONDITIONS**

### **D. NOTIFICATION REQUIREMENT**

In accordance with Standard Condition D, the licensee must notify the Department of the following:

1. Any substantial change in the volume or character of pollutants being introduced into the wastewater collection and treatment system by a source introducing pollutants to the system at the time of license issuance.
2. For the purposes of this section, notice regarding substantial change must include information on:
  - a. the quality and quantity of wastewater introduced to the wastewater collection and treatment system; and
  - b. any anticipated impact caused by the change in the quantity or quality of the wastewater to be discharged from the treatment system.

### **E. INSPECTIONS AND MAINTENANCE**

1. The licensee must conduct quarterly (minimum of 4 times per year) inspections of the physical integrity of the infiltration basin, septic tanks, and associated basin pump station and piping per year. There must be at least 60 days between inspection events. Depending on the use of the wastewater system, daily inspection of the basin and infiltration may be necessary during freezing weather.
2. The inspections report or log must include the date of the inspection, the name of the person performing the inspection, and other relevant system observations.
3. Basin, pump station, and septic tank inspections must include: sediment or fines buildup in tanks, any signs of hydraulic failure; condition of the surface vegetation; level of ponding within the disposal area; any visible mounding; physical encroachments into the disposal area; and other sources of hydraulic loading.
4. The licensee must maintain a file on the location of all system components and relevant features. Each component must be mapped and field located sufficiently to allow adequate inspections and monitoring by both the licensee and the Department.

The licensee must periodically inspect all system components to ensure the system is being operated and maintained in accordance with the design of the system.

## SPECIAL CONDITIONS

### F. GENERAL OPERATIONAL CONSTRAINTS

1. No traffic or equipment must be allowed in the infiltration basin except where installation occurs or where normal operations and maintenance are performed (this must include forest management operations).
2. All wastewater must receive settling treatment through a properly designed, operated and maintained treatment system prior to disposal via the infiltration basin.
3. The irrigation basin and settling tanks must be effectively maintained and operated at all times so that there is no discharge to surface waters, nor any contamination of groundwater which will render it unsatisfactory for use as a public drinking water supply.
4. The wastewater disposal system must not cause the lowering of the quality of the groundwater below the State Primary and Secondary Drinking Water Standards specified in the Maine State Drinking Water Regulations pursuant to *Drinking Water Regulations*, 22 M.R.S. §2611.

In the event that environmental monitoring results indicate lowering of the existing groundwater quality, the licensee may be required to take immediate remedial action(s), which may include, but not be limited to, adjustment of the irrigation schedule or application rates, a reduction of the pollutant loading, groundwater remediation, or ceasing operation of the system until the groundwater attains applicable standards.

5. The licensee must at all times maintain in good working order and operate at maximum efficiency all wastewater collection, treatment and/or control facilities. Within one hour after start-up of the treatment system, the licensee must inspect the infiltration basin site or have other means to check the system for leakage in the piping system and determine if pump(s) are functioning as designed, and verify that application rates are appropriate for the existing site conditions. The procedures used to determine the system is functioning as designed must be described in the facility's O&M manual. Should significant malfunctions or leaks be detected, the licensee must shut down the malfunctioning/leaking sections of the treatment system and make necessary repairs before resuming operation. ***The licensee must cease irrigation if runoff is observed outside the designated boundaries of the basin.***

The licensee must field calibrate equipment to ensure proper operation. Calibration involves collecting and measuring application rate at different locations within the application area. A description of the calibration procedures and a log sheet that have been used for recording calibration results must be included as part of the Operations & Maintenance manual.

## SPECIAL CONDITIONS

### G. VEGETATION MANAGEMENT

1. The licensee must remove vegetation such as shrubs and trees if necessary so as not to impair the operation of the infiltration basin, to ensure uniform distribution of wastewater over the desired application area to optimize nutrient uptake and removal.
2. The vegetative buffer zones along the perimeter of the site must be maintained to maximize vegetation and forest canopy density.

### H. OPERATIONS AND MAINTENANCE (O&M) PLAN AND SITE PLAN(S)

This facility must have a current written comprehensive O&M Plan. The plan must provide a systematic approach by which the licensee must at all times, properly operate and maintain all facilities and the systems of treatment and control (and related appurtenances) which are installed or used by the licensee to achieve compliance with the conditions of this license.

**By December 31 of each year, or within 90 days of any process changes or minor equipment upgrades**, the licensee must evaluate and modify the O & M Plan including site plan(s) and schematic(s) for the wastewater treatment facility to ensure that it is up-to-date. The O&M Plan must be kept on-site at all times and made available to the Department personnel upon request.

**Within 90 days of completion of new and substantial upgrades of the wastewater treatment facility**, the licensee must submit the updated O & M Plan to their Department inspector for review and comment.

### I. PUBLIC ACCESS TO LAND APPLICATION SITES AND SIGNAGE

Access to the land application site must be limited during the season of active site use. The licensee must install signs measuring at least 8 ½" x 11", in areas of concern around the perimeter of the infiltration basin site that inform the general public that the area is being used to dispose of treated sanitary wastewater. The signs must be constructed of materials that are weather resistant. The licensee must annually inspect and make any necessary repairs to the signage to comply with this condition.

### J. MONITORING AND REPORTING

#### Electronic Reporting

*NPDES Electronic Reporting*, 40 C.F.R. 127, requires MEPDES permit holders to submit monitoring results obtained during the previous month on an electronic discharge monitoring report to the regulatory agency utilizing the USEPA electronic system.

Electronic Discharge Monitoring Reports (DMRs) submitted using the USEPA NetDMR system, must be:

1. Submitted by a facility authorized signatory; and
2. Submitted no later than **midnight on the 15<sup>th</sup> day of the month** following the completed reporting period.

## SPECIAL CONDITIONS

### J. MONITORING AND REPORTING (cont'd)

Documentation submitted in support of the electronic DMR may be attached to the electronic DMR. Toxics reporting must be done using the DEP toxsheet reporting form. An electronic copy of the Toxsheet reporting document must be submitted to your Department compliance inspector as an attachment to an email. In addition, a hardcopy form of this sheet must be signed and submitted to your compliance inspector, or a copy attached to your NetDMR submittal will suffice.

A signed copy of the DMR and all other reports required herein must be submitted to the Department assigned compliance inspector (unless otherwise specified) following address:

Department of Environmental Protection  
Central Maine Regional Office  
Bureau of Water Quality  
Division of Water Quality Management  
17 State House Station  
Augusta, Maine 04333-0017

### K. COMMENCEMENT OF OPERATIONS

**At least 90 days prior to commencing production/operations**, the licensee must contact (via email or phone call) the Department's compliance inspection staff to review applicability of the license limitations, monitoring requirements and reporting requirements. Should the Department determine that the proposed production/operations are significantly different from what was presented in past application materials or subsequently revised and included in licensing actions; the Department may require the applicable party to modify this license or to file an application for a new license. In addition, pursuant to Department Rule, Chapter 2 Rules *Concerning the Processing of Applications and Other Administrative Matters*, Section 21, *License Renewals, Amendments and Transfers*, Sub-section C, *Transfers*, a transferee must make application to the Department no later than two (2) weeks after transfer of ownership or entering into a licensee agreement to conduct business on said property. Pending determination on the application for approval of transfer the transferee must abide by all of the conditions of this license, and is jointly or severally liable with the permittee for any violation of the terms and conditions thereof."

### L. REOPENING OF LICENSE FOR MODIFICATION

In accordance with 38 M.R.S. § 414-A(5) and upon evaluation of the tests results or monitoring requirements specified in Special Conditions of this licensing action, new site specific information, or any other pertinent test results or information obtained during the term of this license, the Department may, at any time and with notice to the licensee, modify this license to: 1) include effluent limits necessary to control specific pollutants or whole effluent toxicity where there is a reasonable potential that the effluent may cause water quality criteria to be exceeded, (2) require additional monitoring if results on file are inconclusive; or (3) change monitoring requirements or limitations based on new information.

## **SPECIAL CONDITIONS**

### **M. SEVERABILITY**

In the event that any provision(s), or part thereof, of this license is declared to be unlawful by a reviewing court, the remainder of the license must remain in full force and effect, and must be construed and enforced in all aspects as if such unlawful provision, or part thereof, had been omitted, unless otherwise ordered by the court.

MAINE POLLUTANT DISCHARGE ELIMINATION SYSTEM PERMIT

STANDARD CONDITIONS APPLICABLE TO ALL PERMITS

---

CONTENTS

SECTION	TOPIC	PAGE
A	GENERAL PROVISIONS	
1	General compliance	2
2	Other materials	2
3	Duty to Comply	2
4	Duty to provide information	2
5	Permit actions	2
6	Reopener clause	2
7	Oil and hazardous substances	2
8	Property rights	3
9	Confidentiality	3
10	Duty to reapply	3
11	Other laws	3
12	Inspection and entry	3
B	OPERATION AND MAINTENANCE OF FACILITIES	
1	General facility requirements	3
2	Proper operation and maintenance	4
3	Need to halt reduce not a defense	4
4	Duty to mitigate	4
5	Bypasses	4
6	Upsets	5
C	MONITORING AND RECORDS	
1	General requirements	6
2	Representative sampling	6
3	Monitoring and records	6
D	REPORTING REQUIREMENTS	
1	Reporting requirements	7
2	Signatory requirement	8
3	Availability of reports	8
4	Existing manufacturing, commercial, mining, and silvicultural dischargers	8
5	Publicly owned treatment works	9
E	OTHER PROVISIONS	
1	Emergency action - power failure	9
2	Spill prevention	10
3	Removed substances	10
4	Connection to municipal sewer	10
F	DEFINITIONS	10



MAINE POLLUTANT DISCHARGE ELIMINATION SYSTEM PERMIT

STANDARD CONDITIONS APPLICABLE TO ALL PERMITS

---

**A. GENERAL PROVISIONS**

**1. General compliance.** All discharges shall be consistent with the terms and conditions of this permit; any changes in production capacity or process modifications which result in changes in the quantity or the characteristics of the discharge must be authorized by an additional license or by modifications of this permit; it shall be a violation of the terms and conditions of this permit to discharge any pollutant not identified and authorized herein or to discharge in excess of the rates or quantities authorized herein or to violate any other conditions of this permit.

**2. Other materials.** Other materials ordinarily produced or used in the operation of this facility, which have been specifically identified in the application, may be discharged at the maximum frequency and maximum level identified in the application, provided:

- (a) They are not
  - (i) Designated as toxic or hazardous under the provisions of Sections 307 and 311, respectively, of the Federal Water Pollution Control Act; Title 38, Section 420, Maine Revised Statutes; or other applicable State Law; or
  - (ii) Known to be hazardous or toxic by the licensee.
- (b) The discharge of such materials will not violate applicable water quality standards.

**3. Duty to comply.** The permittee must comply with all conditions of this permit. Any permit noncompliance constitutes a violation of State law and the Clean Water Act and is grounds for enforcement action; for permit termination, revocation and reissuance, or modification; or denial of a permit renewal application.

- (a) The permittee shall comply with effluent standards or prohibitions established under section 307(a) of the Clean Water Act, and 38 MRSA, §420 or Chapter 530.5 for toxic pollutants within the time provided in the regulations that establish these standards or prohibitions, even if the permit has not yet been modified to incorporate the requirement.
- (b) Any person who violates any provision of the laws administered by the Department, including without limitation, a violation of the terms of any order, rule license, permit, approval or decision of the Board or Commissioner is subject to the penalties set forth in 38 MRSA, §349.

**4. Duty to provide information.** The permittee shall furnish to the Department, within a reasonable time, any information which the Department may request to determine whether cause exists for modifying, revoking and reissuing, or terminating this permit or to determine compliance with this permit. The permittee shall also furnish to the Department upon request, copies of records required to be kept by this permit.

**5. Permit actions.** This permit may be modified, revoked and reissued, or terminated for cause. The filing of a request by the permittee for a permit modification, revocation and reissuance, or termination, or a notification of planned changes or anticipated noncompliance does not stay any permit condition.

**6. Reopener clause.** The Department reserves the right to make appropriate revisions to this permit in order to establish any appropriate effluent limitations, schedule of compliance or other provisions which may be authorized under 38 MRSA, §414-A(5).

MAINE POLLUTANT DISCHARGE ELIMINATION SYSTEM PERMIT

STANDARD CONDITIONS APPLICABLE TO ALL PERMITS

---

**7. Oil and hazardous substances.** Nothing in this permit shall be construed to preclude the institution of any legal action or relieve the permittee from any responsibilities, liabilities or penalties to which the permittee is or may be subject under section 311 of the Federal Clean Water Act; section 106 of the Federal Comprehensive Environmental Response, Compensation and Liability Act of 1980; or 38 MRSA §§ 1301, et. seq.

**8. Property rights.** This permit does not convey any property rights of any sort, or any exclusive privilege.

**9. Confidentiality of records.** 38 MRSA §414(6) reads as follows. "Any records, reports or information obtained under this subchapter is available to the public, except that upon a showing satisfactory to the department by any person that any records, reports or information, or particular part or any record, report or information, other than the names and addresses of applicants, license applications, licenses, and effluent data, to which the department has access under this subchapter would, if made public, divulge methods or processes that are entitled to protection as trade secrets, these records, reports or information must be confidential and not available for public inspection or examination. Any records, reports or information may be disclosed to employees or authorized representatives of the State or the United States concerned with carrying out this subchapter or any applicable federal law, and to any party to a hearing held under this section on terms the commissioner may prescribe in order to protect these confidential records, reports and information, as long as this disclosure is material and relevant to any issue under consideration by the department."

**10. Duty to reapply.** If the permittee wishes to continue an activity regulated by this permit after the expiration date of this permit, the permittee must apply for and obtain a new permit.

**11. Other laws.** The issuance of this permit does not authorize any injury to persons or property or invasion of other property rights, nor does it relieve the permittee of its obligation to comply with other applicable Federal, State or local laws and regulations.

**12. Inspection and entry.** The permittee shall allow the Department, or an authorized representative (including an authorized contractor acting as a representative of the EPA Administrator), upon presentation of credentials and other documents as may be required by law, to:

- (a) Enter upon the permittee's premises where a regulated facility or activity is located or conducted, or where records must be kept under the conditions of this permit;
- (b) Have access to and copy, at reasonable times, any records that must be kept under the conditions of this permit;
- (c) Inspect at reasonable times any facilities, equipment (including monitoring and control equipment), practices, or operations regulated or required under this permit; and
- (d) Sample or monitor at reasonable times, for the purposes of assuring permit compliance or as otherwise authorized by the Clean Water Act, any substances or parameters at any location.

**B. OPERATION AND MAINTENANCE OF FACILITIES**

**1. General facility requirements.**

- (a) The permittee shall collect all waste flows designated by the Department as requiring treatment and discharge them into an approved waste treatment facility in such a manner as to

MAINE POLLUTANT DISCHARGE ELIMINATION SYSTEM PERMIT

STANDARD CONDITIONS APPLICABLE TO ALL PERMITS

---

- maximize removal of pollutants unless authorization to the contrary is obtained from the Department.
- (b) The permittee shall at all times maintain in good working order and operate at maximum efficiency all waste water collection, treatment and/or control facilities.
  - (c) All necessary waste treatment facilities will be installed and operational prior to the discharge of any wastewaters.
  - (d) Final plans and specifications must be submitted to the Department for review prior to the construction or modification of any treatment facilities.
  - (e) The permittee shall install flow measuring facilities of a design approved by the Department.
  - (f) The permittee must provide an outfall of a design approved by the Department which is placed in the receiving waters in such a manner that the maximum mixing and dispersion of the wastewaters will be achieved as rapidly as possible.

**2. Proper operation and maintenance.** The permittee shall at all times properly operate and maintain all facilities and systems of treatment and control (and related appurtenances) which are installed or used by the permittee to achieve compliance with the conditions of this permit. Proper operation and maintenance also includes adequate laboratory controls and appropriate quality assurance procedures. This provision requires the operation of back-up or auxiliary facilities or similar systems which are installed by a permittee only when the operation is necessary to achieve compliance with the conditions of the permit.

**3. Need to halt or reduce activity not a defense.** It shall not be a defense for a permittee in an enforcement action that it would have been necessary to halt or reduce the permitted activity in order to maintain compliance with the conditions of this permit.

**4. Duty to mitigate.** The permittee shall take all reasonable steps to minimize or prevent any discharge or sludge use or disposal in violation of this permit which has a reasonable likelihood of adversely affecting human health or the environment.

**5. Bypasses.**

- (a) Definitions.
  - (i) Bypass means the intentional diversion of waste streams from any portion of a treatment facility.
  - (ii) Severe property damage means substantial physical damage to property, damage to the treatment facilities which causes them to become inoperable, or substantial and permanent loss of natural resources which can reasonably be expected to occur in the absence of a bypass. Severe property damage does not mean economic loss caused by delays in production.
- (b) Bypass not exceeding limitations. The permittee may allow any bypass to occur which does not cause effluent limitations to be exceeded, but only if it also is for essential maintenance to assure efficient operation. These bypasses are not subject to the provisions of paragraphs (c) and (d) of this section.
- (c) Notice.
  - (i) Anticipated bypass. If the permittee knows in advance of the need for a bypass, it shall submit prior notice, if possible at least ten days before the date of the bypass.

MAINE POLLUTANT DISCHARGE ELIMINATION SYSTEM PERMIT

STANDARD CONDITIONS APPLICABLE TO ALL PERMITS

---

- (ii) Unanticipated bypass. The permittee shall submit notice of an unanticipated bypass as required in paragraph D(1)(f), below. (24-hour notice).
- (d) Prohibition of bypass.
  - (i) Bypass is prohibited, and the Department may take enforcement action against a permittee for bypass, unless:
    - (A) Bypass was unavoidable to prevent loss of life, personal injury, or severe property damage;
    - (B) There were no feasible alternatives to the bypass, such as the use of auxiliary treatment facilities, retention of untreated wastes, or maintenance during normal periods of equipment downtime. This condition is not satisfied if adequate back-up equipment should have been installed in the exercise of reasonable engineering judgment to prevent a bypass which occurred during normal periods of equipment downtime or preventive maintenance; and
    - (C) The permittee submitted notices as required under paragraph (c) of this section.
  - (ii) The Department may approve an anticipated bypass, after considering its adverse effects, if the Department determines that it will meet the three conditions listed above in paragraph (d)(i) of this section.

**6. Upsets.**

- (a) Definition. Upset means an exceptional incident in which there is unintentional and temporary noncompliance with technology based permit effluent limitations because of factors beyond the reasonable control of the permittee. An upset does not include noncompliance to the extent caused by operational error, improperly designed treatment facilities, inadequate treatment facilities, lack of preventive maintenance, or careless or improper operation.
- (b) Effect of an upset. An upset constitutes an affirmative defense to an action brought for noncompliance with such technology based permit effluent limitations if the requirements of paragraph (c) of this section are met. No determination made during administrative review of claims that noncompliance was caused by upset, and before an action for noncompliance, is final administrative action subject to judicial review.
- (c) Conditions necessary for a demonstration of upset. A permittee who wishes to establish the affirmative defense of upset shall demonstrate, through properly signed, contemporaneous operating logs, or other relevant evidence that:
  - (i) An upset occurred and that the permittee can identify the cause(s) of the upset;
  - (ii) The permitted facility was at the time being properly operated; and
  - (iii) The permittee submitted notice of the upset as required in paragraph D(1)(f) , below. (24 hour notice).
  - (iv) The permittee complied with any remedial measures required under paragraph B(4).
- (d) Burden of proof. In any enforcement proceeding the permittee seeking to establish the occurrence of an upset has the burden of proof.

MAINE POLLUTANT DISCHARGE ELIMINATION SYSTEM PERMIT

STANDARD CONDITIONS APPLICABLE TO ALL PERMITS

---

**C. MONITORING AND RECORDS**

**1. General Requirements.** This permit shall be subject to such monitoring requirements as may be reasonably required by the Department including the installation, use and maintenance of monitoring equipment or methods (including, where appropriate, biological monitoring methods). The permittee shall provide the Department with periodic reports on the proper Department reporting form of monitoring results obtained pursuant to the monitoring requirements contained herein.

**2. Representative sampling.** Samples and measurements taken as required herein shall be representative of the volume and nature of the monitored discharge. If effluent limitations are based wholly or partially on quantities of a product processed, the permittee shall ensure samples are representative of times when production is taking place. Where discharge monitoring is required when production is less than 50%, the resulting data shall be reported as a daily measurement but not included in computation of averages, unless specifically authorized by the Department.

**3. Monitoring and records.**

- (a) Samples and measurements taken for the purpose of monitoring shall be representative of the monitored activity.
- (b) Except for records of monitoring information required by this permit related to the permittee's sewage sludge use and disposal activities, which shall be retained for a period of at least five years, the permittee shall retain records of all monitoring information, including all calibration and maintenance records and all original strip chart recordings for continuous monitoring instrumentation, copies of all reports required by this permit, and records of all data used to complete the application for this permit, for a period of at least 3 years from the date of the sample, measurement, report or application. This period may be extended by request of the Department at any time.
- (c) Records of monitoring information shall include:
  - (i) The date, exact place, and time of sampling or measurements;
  - (ii) The individual(s) who performed the sampling or measurements;
  - (iii) The date(s) analyses were performed;
  - (iv) The individual(s) who performed the analyses;
  - (v) The analytical techniques or methods used; and
  - (vi) The results of such analyses.
- (d) Monitoring results must be conducted according to test procedures approved under 40 CFR part 136, unless other test procedures have been specified in the permit.
- (e) State law provides that any person who tampers with or renders inaccurate any monitoring devices or method required by any provision of law, or any order, rule license, permit approval or decision is subject to the penalties set forth in 38 MRSA, §349.

MAINE POLLUTANT DISCHARGE ELIMINATION SYSTEM PERMIT

STANDARD CONDITIONS APPLICABLE TO ALL PERMITS

---

**D. REPORTING REQUIREMENTS**

**1. Reporting requirements.**

- (a) Planned changes. The permittee shall give notice to the Department as soon as possible of any planned physical alterations or additions to the permitted facility. Notice is required only when:
  - (i) The alteration or addition to a permitted facility may meet one of the criteria for determining whether a facility is a new source in 40 CFR 122.29(b); or
  - (ii) The alteration or addition could significantly change the nature or increase the quantity of pollutants discharged. This notification applies to pollutants which are subject neither to effluent limitations in the permit, nor to notification requirements under Section D(4).
  - (iii) The alteration or addition results in a significant change in the permittee's sludge use or disposal practices, and such alteration, addition, or change may justify the application of permit conditions that are different from or absent in the existing permit, including notification of additional use or disposal sites not reported during the permit application process or not reported pursuant to an approved land application plan;
- (b) Anticipated noncompliance. The permittee shall give advance notice to the Department of any planned changes in the permitted facility or activity which may result in noncompliance with permit requirements.
- (c) Transfers. This permit is not transferable to any person except upon application to and approval of the Department pursuant to 38 MRSA, § 344 and Chapters 2 and 522.
- (d) Monitoring reports. Monitoring results shall be reported at the intervals specified elsewhere in this permit.
  - (i) Monitoring results must be reported on a Discharge Monitoring Report (DMR) or forms provided or specified by the Department for reporting results of monitoring of sludge use or disposal practices.
  - (ii) If the permittee monitors any pollutant more frequently than required by the permit using test procedures approved under 40 CFR part 136 or as specified in the permit, the results of this monitoring shall be included in the calculation and reporting of the data submitted in the DMR or sludge reporting form specified by the Department.
  - (iii) Calculations for all limitations which require averaging of measurements shall utilize an arithmetic mean unless otherwise specified by the Department in the permit.
- (e) Compliance schedules. Reports of compliance or noncompliance with, or any progress reports on, interim and final requirements contained in any compliance schedule of this permit shall be submitted no later than 14 days following each schedule date.
- (f) Twenty-four hour reporting.
  - (i) The permittee shall report any noncompliance which may endanger health or the environment. Any information shall be provided orally within 24 hours from the time the permittee becomes aware of the circumstances. A written submission shall also be provided within 5 days of the time the permittee becomes aware of the circumstances. The written submission shall contain a description of the noncompliance and its cause; the period of noncompliance, including exact dates and times, and if the noncompliance

MAINE POLLUTANT DISCHARGE ELIMINATION SYSTEM PERMIT

STANDARD CONDITIONS APPLICABLE TO ALL PERMITS

---

has not been corrected, the anticipated time it is expected to continue; and steps taken or planned to reduce, eliminate, and prevent reoccurrence of the noncompliance.

(ii) The following shall be included as information which must be reported within 24 hours under this paragraph.

(A) Any unanticipated bypass which exceeds any effluent limitation in the permit.

(B) Any upset which exceeds any effluent limitation in the permit.

(C) Violation of a maximum daily discharge limitation for any of the pollutants listed by the Department in the permit to be reported within 24 hours.

(iii) The Department may waive the written report on a case-by-case basis for reports under paragraph (f)(ii) of this section if the oral report has been received within 24 hours.

(g) Other noncompliance. The permittee shall report all instances of noncompliance not reported under paragraphs (d), (e), and (f) of this section, at the time monitoring reports are submitted. The reports shall contain the information listed in paragraph (f) of this section.

(h) Other information. Where the permittee becomes aware that it failed to submit any relevant facts in a permit application, or submitted incorrect information in a permit application or in any report to the Department, it shall promptly submit such facts or information.

**2. Signatory requirement.** All applications, reports, or information submitted to the Department shall be signed and certified as required by Chapter 521, Section 5 of the Department's rules. State law provides that any person who knowingly makes any false statement, representation or certification in any application, record, report, plan or other document filed or required to be maintained by any order, rule, permit, approval or decision of the Board or Commissioner is subject to the penalties set forth in 38 MRSA, §349.

**3. Availability of reports.** Except for data determined to be confidential under A(9), above, all reports prepared in accordance with the terms of this permit shall be available for public inspection at the offices of the Department. As required by State law, effluent data shall not be considered confidential. Knowingly making any false statement on any such report may result in the imposition of criminal sanctions as provided by law.

**4. Existing manufacturing, commercial, mining, and silvicultural dischargers.** In addition to the reporting requirements under this Section, all existing manufacturing, commercial, mining, and silvicultural dischargers must notify the Department as soon as they know or have reason to believe:

(a) That any activity has occurred or will occur which would result in the discharge, on a routine or frequent basis, of any toxic pollutant which is not limited in the permit, if that discharge will exceed the highest of the following "notification levels":

(i) One hundred micrograms per liter (100 ug/l);

(ii) Two hundred micrograms per liter (200 ug/l) for acrolein and acrylonitrile; five hundred micrograms per liter (500 ug/l) for 2,4-dinitrophenol and for 2-methyl-4,6-dinitrophenol; and one milligram per liter (1 mg/l) for antimony;

(iii) Five (5) times the maximum concentration value reported for that pollutant in the permit application in accordance with Chapter 521 Section 4(g)(7); or

(iv) The level established by the Department in accordance with Chapter 523 Section 5(f).

MAINE POLLUTANT DISCHARGE ELIMINATION SYSTEM PERMIT

STANDARD CONDITIONS APPLICABLE TO ALL PERMITS

---

- (b) That any activity has occurred or will occur which would result in any discharge, on a non-routine or infrequent basis, of a toxic pollutant which is not limited in the permit, if that discharge will exceed the highest of the following "notification levels":
  - (i) Five hundred micrograms per liter (500 ug/l);
  - (ii) One milligram per liter (1 mg/l) for antimony;
  - (iii) Ten (10) times the maximum concentration value reported for that pollutant in the permit application in accordance with Chapter 521 Section 4(g)(7); or
  - (iv) The level established by the Department in accordance with Chapter 523 Section 5(f).

**5. Publicly owned treatment works.**

- (a) All POTWs must provide adequate notice to the Department of the following:
  - (i) Any new introduction of pollutants into the POTW from an indirect discharger which would be subject to section 301 or 306 of CWA or Chapter 528 if it were directly discharging those pollutants.
  - (ii) Any substantial change in the volume or character of pollutants being introduced into that POTW by a source introducing pollutants into the POTW at the time of issuance of the permit.
  - (iii) For purposes of this paragraph, adequate notice shall include information on (A) the quality and quantity of effluent introduced into the POTW, and (B) any anticipated impact of the change on the quantity or quality of effluent to be discharged from the POTW.
- (b) When the effluent discharged by a POTW for a period of three consecutive months exceeds 80 percent of the permitted flow, the permittee shall submit to the Department a projection of loadings up to the time when the design capacity of the treatment facility will be reached, and a program for maintaining satisfactory treatment levels consistent with approved water quality management plans.

**E. OTHER REQUIREMENTS**

**1. Emergency action - power failure.** Within thirty days after the effective date of this permit, the permittee shall notify the Department of facilities and plans to be used in the event the primary source of power to its wastewater pumping and treatment facilities fails as follows.

- (a) For municipal sources. During power failure, all wastewaters which are normally treated shall receive a minimum of primary treatment and disinfection. Unless otherwise approved, alternate power supplies shall be provided for pumping stations and treatment facilities. Alternate power supplies shall be on-site generating units or an outside power source which is separate and independent from sources used for normal operation of the wastewater facilities.
- (b) For industrial and commercial sources. The permittee shall either maintain an alternative power source sufficient to operate the wastewater pumping and treatment facilities or halt, reduce or otherwise control production and or all discharges upon reduction or loss of power to the wastewater pumping or treatment facilities.



MAINE POLLUTANT DISCHARGE ELIMINATION SYSTEM PERMIT

STANDARD CONDITIONS APPLICABLE TO ALL PERMITS

---

**2. Spill prevention.** (applicable only to industrial sources) Within six months of the effective date of this permit, the permittee shall submit to the Department for review and approval, with or without conditions, a spill prevention plan. The plan shall delineate methods and measures to be taken to prevent and or contain any spills of pulp, chemicals, oils or other contaminants and shall specify means of disposal and or treatment to be used.

**3. Removed substances.** Solids, sludges trash rack cleanings, filter backwash, or other pollutants removed from or resulting from the treatment or control of waste waters shall be disposed of in a manner approved by the Department.

**4. Connection to municipal sewer.** (applicable only to industrial and commercial sources) All wastewaters designated by the Department as treatable in a municipal treatment system will be cosigned to that system when it is available. This permit will expire 90 days after the municipal treatment facility becomes available, unless this time is extended by the Department in writing.

**F. DEFINITIONS.** For the purposes of this permit, the following definitions shall apply. Other definitions applicable to this permit may be found in Chapters 520 through 529 of the Department's rules

**Average** means the arithmetic mean of values taken at the frequency required for each parameter over the specified period. For bacteria, the average shall be the geometric mean.

**Average monthly discharge limitation** means the highest allowable average of daily discharges over a calendar month, calculated as the sum of all daily discharges measured during a calendar month divided by the number of daily discharges measured during that month. Except, however, bacteriological tests may be calculated as a geometric mean.

**Average weekly discharge limitation** means the highest allowable average of daily discharges over a calendar week, calculated as the sum of all daily discharges measured during a calendar week divided by the number of daily discharges measured during that week.

**Best management practices ("BMPs")** means schedules of activities, prohibitions of practices, maintenance procedures, and other management practices to prevent or reduce the pollution of waters of the State. BMPs also include treatment requirements, operating procedures, and practices to control plant site runoff, spillage or leaks, sludge or waste disposal, or drainage from raw material storage.

**Composite sample** means a sample consisting of a minimum of eight grab samples collected at equal intervals during a 24 hour period (or a lesser period as specified in the section on monitoring and reporting) and combined proportional to the flow over that same time period.

**Continuous discharge** means a discharge which occurs without interruption throughout the operating hours of the facility, except for infrequent shutdowns for maintenance, process changes, or other similar activities.

**Daily discharge** means the discharge of a pollutant measured during a calendar day or any 24-hour period that reasonably represents the calendar day for purposes of sampling. For pollutants with limitations expressed in units of mass, the daily discharge is calculated as the total mass of the pollutant discharged over the day. For pollutants with limitations expressed in other units of measurement, the daily discharge is calculated as the average measurement of the pollutant over the day.

# MAINE POLLUTANT DISCHARGE ELIMINATION SYSTEM PERMIT

## STANDARD CONDITIONS APPLICABLE TO ALL PERMITS

---

**Discharge Monitoring Report ("DMR")** means the EPA uniform national form, including any subsequent additions, revisions, or modifications for the reporting of self-monitoring results by permittees. DMRs must be used by approved States as well as by EPA. EPA will supply DMRs to any approved State upon request. The EPA national forms may be modified to substitute the State Agency name, address, logo, and other similar information, as appropriate, in place of EPA's.

**Flow weighted composite sample** means a composite sample consisting of a mixture of aliquots collected at a constant time interval, where the volume of each aliquot is proportional to the flow rate of the discharge.

**Grab sample** means an individual sample collected in a period of less than 15 minutes.

**Interference** means a Discharge which, alone or in conjunction with a discharge or discharges from other sources, both:

- (1) Inhibits or disrupts the POTW, its treatment processes or operations, or its sludge processes, use or disposal; and
- (2) Therefore is a cause of a violation of any requirement of the POTW's NPDES permit (including an increase in the magnitude or duration of a violation) or of the prevention of sewage sludge use or disposal in compliance with the following statutory provisions and regulations or permits issued thereunder (or more stringent State or local regulations): Section 405 of the Clean Water Act, the Solid Waste Disposal Act (SWDA) (including title II, more commonly referred to as the Resource Conservation and Recovery Act (RCRA), and including State regulations contained in any State sludge management plan prepared pursuant to subtitle D of the SWDA), the Clean Air Act, the Toxic Substances Control Act, and the Marine Protection, Research and Sanctuaries Act.

**Maximum daily discharge limitation** means the highest allowable daily discharge.

**New source** means any building, structure, facility, or installation from which there is or may be a discharge of pollutants, the construction of which commenced:

- (a) After promulgation of standards of performance under section 306 of CWA which are applicable to such source, or
- (b) After proposal of standards of performance in accordance with section 306 of CWA which are applicable to such source, but only if the standards are promulgated in accordance with section 306 within 120 days of their proposal.

**Pass through** means a discharge which exits the POTW into waters of the State in quantities or concentrations which, alone or in conjunction with a discharge or discharges from other sources, is a cause of a violation of any requirement of the POTW's NPDES permit (including an increase in the magnitude or duration of a violation).

**Permit** means an authorization, license, or equivalent control document issued by EPA or an approved State to implement the requirements of 40 CFR parts 122, 123 and 124. Permit includes an NPDES general permit (Chapter 529). Permit does not include any permit which has not yet been the subject of final agency action, such as a draft permit or a proposed permit.

**Person** means an individual, firm, corporation, municipality, quasi-municipal corporation, state agency, federal agency or other legal entity.

MAINE POLLUTANT DISCHARGE ELIMINATION SYSTEM PERMIT

STANDARD CONDITIONS APPLICABLE TO ALL PERMITS

---

**Point source** means any discernible, confined and discrete conveyance, including, but not limited to, any pipe, ditch, channel, tunnel, conduit, well, discrete fissure, container, rolling stock, concentrated animal feeding operation or vessel or other floating craft, from which pollutants are or may be discharged.

**Pollutant** means dredged spoil, solid waste, junk, incinerator residue, sewage, refuse, effluent, garbage, sewage sludge, munitions, chemicals, biological or radiological materials, oil, petroleum products or byproducts, heat, wrecked or discarded equipment, rock, sand, dirt and industrial, municipal, domestic, commercial or agricultural wastes of any kind.

**Process wastewater** means any water which, during manufacturing or processing, comes into direct contact with or results from the production or use of any raw material, intermediate product, finished product, byproduct, or waste product.

**Publicly owned treatment works ("POTW")** means any facility for the treatment of pollutants owned by the State or any political subdivision thereof, any municipality, district, quasi-municipal corporation or other public entity.

**Septage** means, for the purposes of this permit, any waste, refuse, effluent sludge or other material removed from a septic tank, cesspool, vault privy or similar source which concentrates wastes or to which chemicals have been added. Septage does not include wastes from a holding tank.

**Time weighted composite** means a composite sample consisting of a mixture of equal volume aliquots collected over a constant time interval.

**Toxic pollutant** includes any pollutant listed as toxic under section 307(a)(1) or, in the case of sludge use or disposal practices, any pollutant identified in regulations implementing section 405(d) of the CWA. Toxic pollutant also includes those substances or combination of substances, including disease causing agents, which after discharge or upon exposure, ingestion, inhalation or assimilation into any organism, including humans either directly through the environment or indirectly through ingestion through food chains, will, on the basis of information available to the board either alone or in combination with other substances already in the receiving waters or the discharge, cause death, disease, abnormalities, cancer, genetic mutations, physiological malfunctions, including malfunctions in reproduction, or physical deformations in such organism or their offspring.

**Wetlands** means those areas that are inundated or saturated by surface or ground water at a frequency and duration sufficient to support, and that under normal circumstances do support, a prevalence of vegetation typically adapted for life in saturated soil conditions. Wetlands generally include swamps, marshes, bogs, and similar areas.

**Whole effluent toxicity** means the aggregate toxic effect of an effluent measured directly by a toxicity test.

**MAINE WASTE DISCHARGE LICENSE**

**Final FACT SHEET**

DATE: **December 6, 2021**  
COMPLIANCE TRACKING NUMBER: **MEU508274**  
WASTE DISCHARGE LICENSE: **W0008274-5S-A-N**

NAME AND ADDRESS OF APPLICANT:

**Watershed Center for Ceramic Arts  
103 Cochran Road  
Edgecomb, ME. 04556**

COUNTY: **Lincoln**

NAME AND ADDRESS WHERE DISCHARGE(S) OCCUR(S):

**Watershed Center for Ceramic Arts  
103 Cochran Road  
Newcastle, ME. 04553**

RECEIVING WATER CLASSIFICATION: **Groundwater/Class GW-A**

COGNIZANT OFFICIAL CONTACT INFORMATION:

**Francine Rudoff  
Executive Director  
(207) 882-6075  
Email: [frudoff@watershedcermics.org](mailto:frudoff@watershedcermics.org)**

**1. APPLICATION SUMMARY**

On March 9, 2021, the Department of Environmental Protection (Department) accepted as complete for processing an application from the Watershed Center for Ceramic Arts (licensee/Center) for a new Waste Discharge License (WDL) to discharge up to 100 gallons per day (gpd) of treated ceramic studio wastewater via an infiltration basin (after settling treatment) to groundwater, Class GW-A in Newcastle, Maine.

## 2. LICENSE SUMMARY

- a. Terms and Conditions: This licensing action is establishing the following terms and conditions:
1. Total suspended solids (TSS), flow, total metals monitoring and pH monitoring and limits on the effluent discharge based on the application materials;
  2. Special and Standard Conditions to ensure compliance with State Rules and Statute.
- b. History: This section provides a summary of significant licensing actions and milestones that have been completed for the licensee.

*March 9, 2021* – The licensee submitted an application to the Department for a new waste discharge license (WDL) for the discharge of treated ceramics studio wastewater from the Watershed Center for Ceramic Arts in Newcastle. The application was accepted for processing on March 23, 2021 and was assigned WDL W0008274-5S-A-N/MEU508274.

- c. Source Description: From the Center application: “The waste flows requiring disposal have been estimated at 75 gallons per day (gpd) and a figure of 100 gpd has been assumed for design purposes. The flows consist of sink washwater from the ceramics studio. The Owner/Applicant will take measures to ensure that undesirable materials are not discharged into the sink. Constituents within the washwater are likely to include the following:
- Clay and allied inert materials (such as fine sand);
  - Household cleaners (hand soap and detergent for cleaning floors and workstations). No solvents are used in the studio and cleaners will not include bleach or ammonia.
  - Very small amounts of glazes, associated with cleaning containers and brushes. The applicant is preparing a list of glazes and their composition.”

A map showing the location of the studio and treatment unit is included as Fact Sheet **Attachment A**.

- d. Wastewater Treatment: From the application “the subject flows will discharge from the building via a waste pipe and flow to two (2) 1500 gallon precast concrete septic tanks in series. The tanks will provide for a minimum of 30 days for settling. The flows will be pumped from the settling/storage tanks to the infiltration basin for disposal.”

Schematics depicting the treatment stages of the proposed treatment unit are included as Fact Sheet **Attachment B**.

- e. Infiltration Basin – From the application “the basin is located with berms that will direct surface runoff away from the basin. The basin has a bottom area of 25’ x 15’ and is located on loamy soil. The anticipated flow rate into the basin is 100 gallons per day of wash water which is equivalent to 0.42 inches of water. In addition, rainwater that falls into the basin will also be infiltrated.”

## 3. CONDITIONS OF LICENSE

*Conditions of licenses*, 38 M.R.S. § 414-A, requires that the effluent limitations prescribed for discharges, including, but not limited to, effluent toxicity, require application of best practicable treatment (BPT), be consistent with applicable state law, and ensure that the receiving waters attain the State water quality standards as described in Maine's Water Classification System.

#### **4. RECEIVING WATER QUALITY STANDARDS**

*Classification of Ground Waters*, 38 M.R.S. § 470 classifies the groundwater at the point of discharge as Class GW-A receiving waters. *Standards of Classification of Ground Water*, 38 M.R.S., Section 465-C(1), describes the standards for waters classified as Class GW-A as the highest classification of groundwater and must be of such quality that it can be used for public water supplies. These waters must be free of radioactive matter or any matter that imparts color, turbidity, or odor which would impair use of these waters, other than that occurring from natural phenomena.

#### **5. TREATMENT**

Slow-rate land irrigation treatment is an environmentally sound and appropriate technology for best practicable treatment and disposal of sanitary wastewater. The proposed facility is providing secondary treatment for conventional pollutants prior to discharge in the infiltration basin. The soils and vegetation within the irrigation area will provide adequate filtration and absorption to preserve the integrity of the soil and both the surface and groundwater quality in the area.

#### **6. DISCHARGE IMPACT ON RECEIVING WATER QUALITY**

As licensed, the Department has determined the existing water uses will be maintained and protected and the discharge will not cause or contribute to the failure of the water body to meet standards for Class GW-A classification.

#### **7. PUBLIC COMMENTS**

Public notice of this application was made in *The Lincoln County News* newspaper on March 4, 2021. The Department receives public comments on an application until the date a final agency action is taken on the application. Those persons receiving copies of draft permits must have at least 30 days in which to submit comments on the draft or to request a public hearing, pursuant to *Application Processing Procedures for Waste Discharge Licenses*, 06-096 CMR 522 (effective January 12, 2001).

#### **8. DEPARTMENT CONTACTS**

Additional information concerning this licensing action may be obtained from, and written comments sent to:

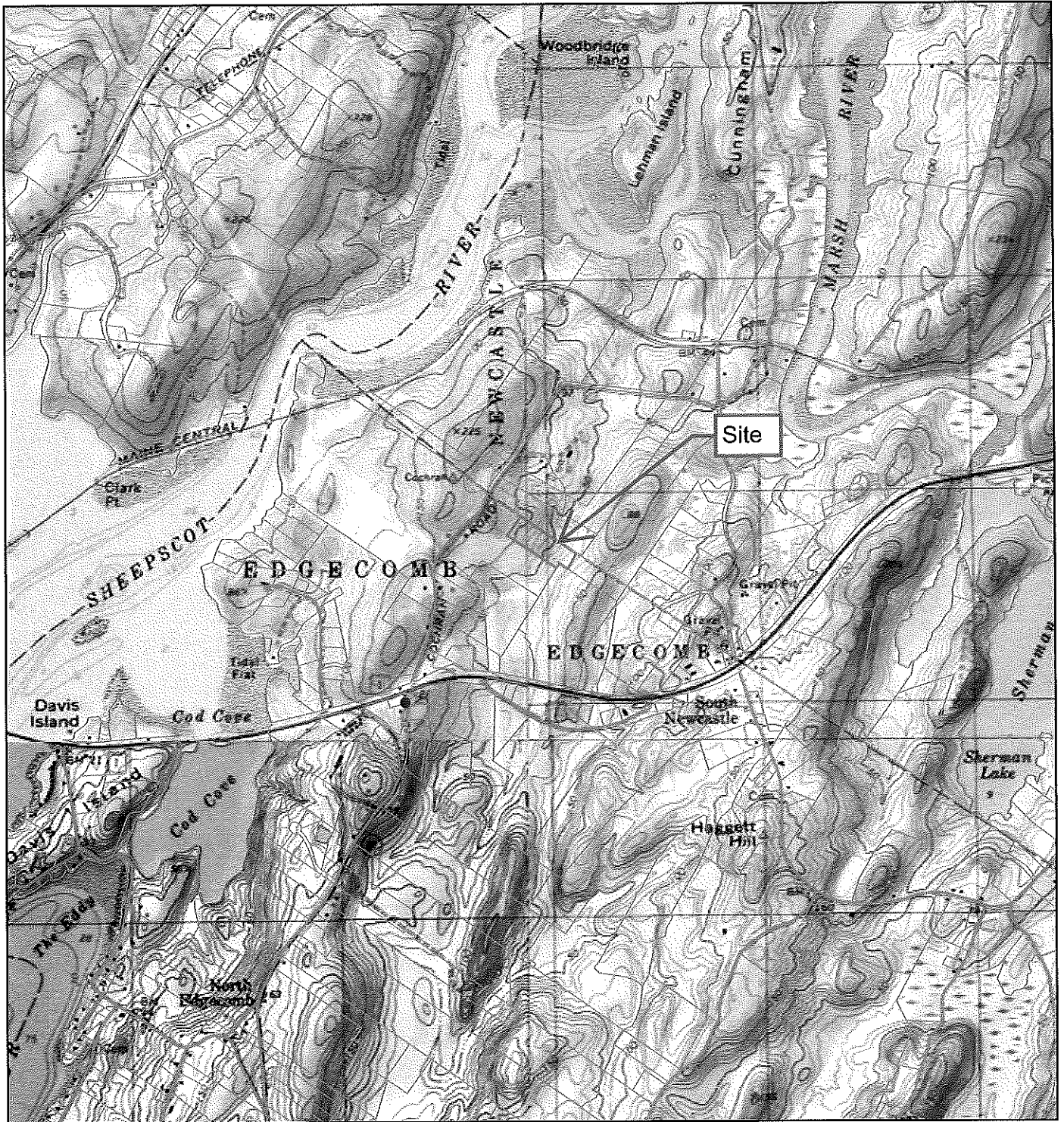
Cindy L. Dionne  
Bureau of Water Quality  
Department of Environmental Protection  
17 State House Station  
Augusta, Maine 04333-0017 Telephone: (207) 446-3820  
e-mail: [Cindy.L.Dionne@maine.gov](mailto:Cindy.L.Dionne@maine.gov)

#### **9. RESPONSE TO COMMENTS**

During the period of October 18, 2021 through the issuance date of the final permit, the Department solicited comments on the Proposed draft WDL to be issued to Watershed Ceramics for the proposed discharge. The Department did not receive any comments that resulted in substantive change(s) in the terms and conditions of the license.

# **ATTACHMENT A**

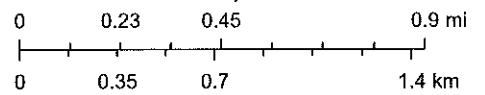
# Project Location - Watershed Center for Ceramic Arts



7/8/2020, 2:21:22 PM

 Parcels

1:36,112



Copyright: © 2013 National Geographic Society, i-cubed



**SUBSURFACE WASTEWATER DISPOSAL SYSTEM APPLICATION**

Maine Department of Human Services  
 Division of Health Engineering, Station 10  
 (207) 287-5672 Fax: (207) 287-3165

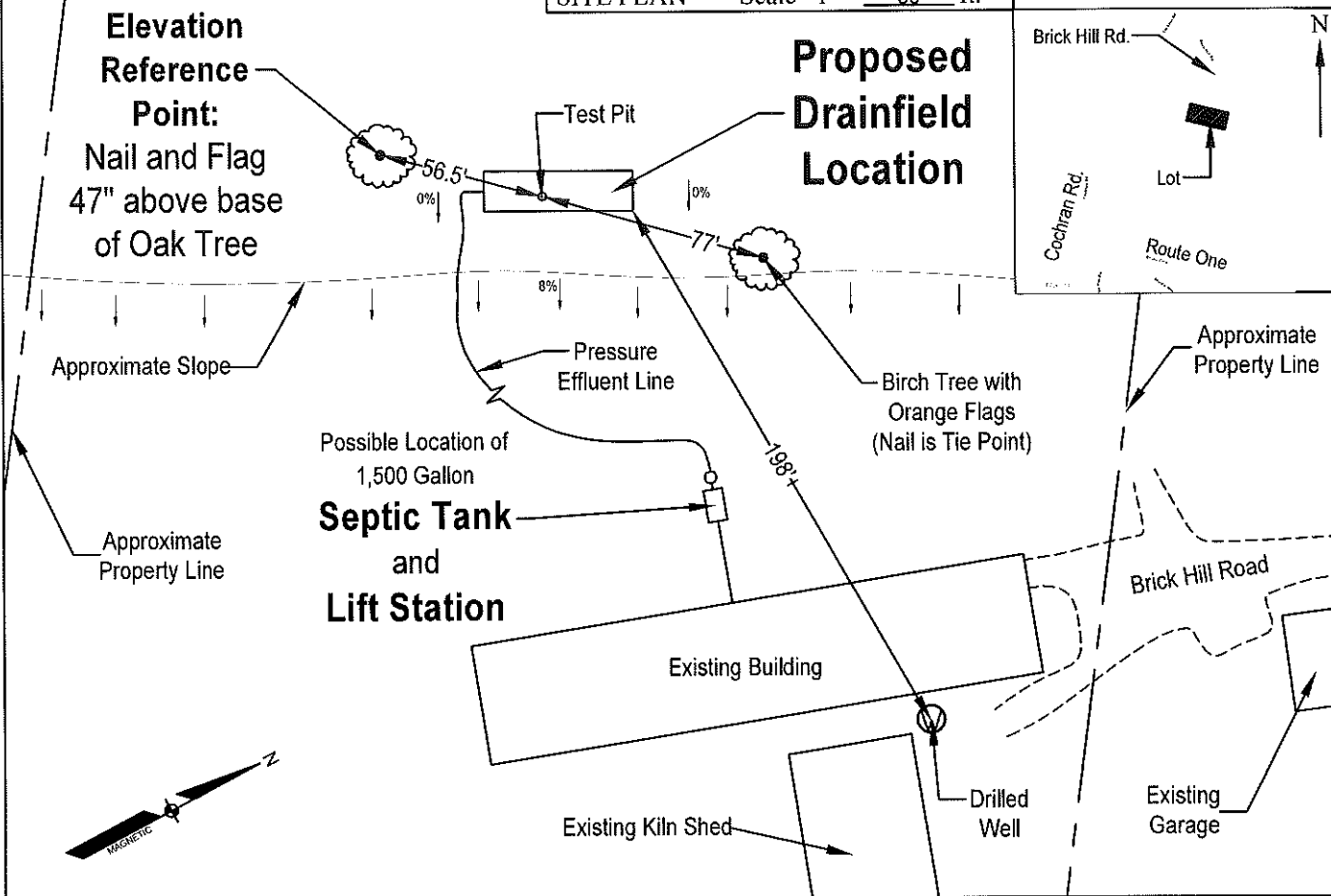
Town, City, Plantation  
**Edgecomb**

Street, Road, Subdivision  
**Brick Hill Road**

Owner or Applicant Name  
**Watershed Center For Ceramic Arts**

**SITE PLAN** Scale 1" = 60 ft.

**SITE LOCATION PLAN**



**SOIL PROFILE DESCRIPTION AND CLASSIFICATION** (Location of Observation Holes Shown Above)

Observation Hole #	1	Test Pit	Boring
Humus	Depth of organic horizon above mineral soil		
Texture	Consistency	Color	Mottling
0	Fine Sandy Loam	Friable	Brown
6	Sandy Loam		Yellow
12	Silt	Firm	Gray
18			
24			
30			
36			
42			
48			
Soil Profile	Classification	Slope	Limiting Factor
3	C	0	15"
Groundwater	Restrictive Layer	Bedrock	

Site Evaluator Signature: *[Signature]* SE # **394** Date **10/30/20** Page 2 of 3 HHE-200 Rev. 10/02

# **ATTACHMENT B**

**SUBSURFACE WASTEWATER DISPOSAL SYSTEM APPLICATION**

Maine Department of Human Services  
 Division of Health Engineering, Station 10  
 (207) 287-5672 Fax: (207) 287-3165

Town, City, Plantation  
**Edgecomb**

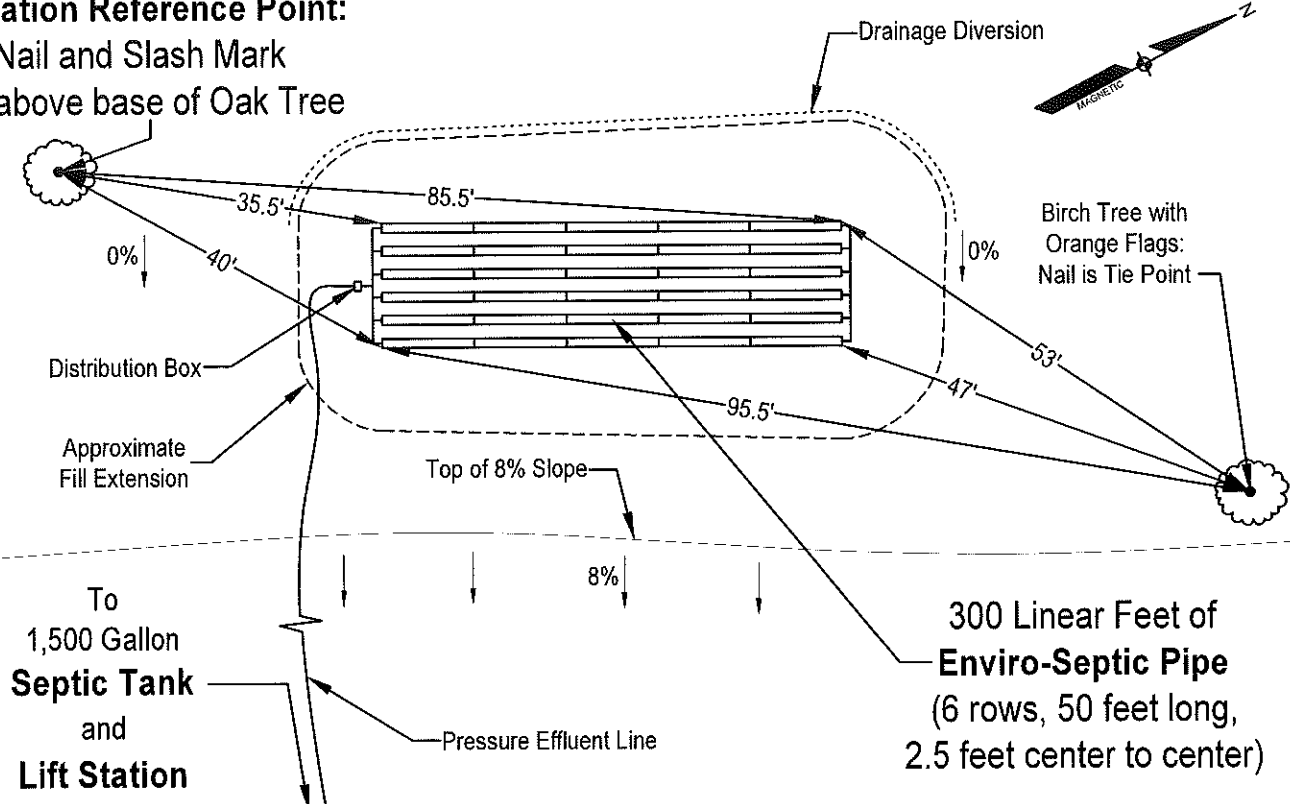
Street, Road, Subdivision  
**Brick Hill Road**

Owner or Applicant Name  
**Watershed Center For Ceramic Arts**

**SUBSURFACE WASTEWATER DISPOSAL PLAN**

Scale: 1" = 20 ft

**Elevation Reference Point:**  
 Nail and Slash Mark  
 47" above base of Oak Tree



To  
 1,500 Gallon  
**Septic Tank**  
 and  
**Lift Station**

**300 Linear Feet of Enviro-Septic Pipe**  
 (6 rows, 50 feet long,  
 2.5 feet center to center)

**BACKFILL REQUIREMENTS**

Depth of Backfill (upslope) 19" to 24"  
 Depth of Backfill (downslope) 19" to 23"

**CONSTRUCTION ELEVATIONS**

Finished Grade Elevation (at Row 1) -44"  
 Top of Enviro-Septic Pipe (at Row 1) -54"  
 Bottom of Enviro-Septic Pipe (at Row 1) -66"  
 Bottom of System Sand (at Row 1) -72"

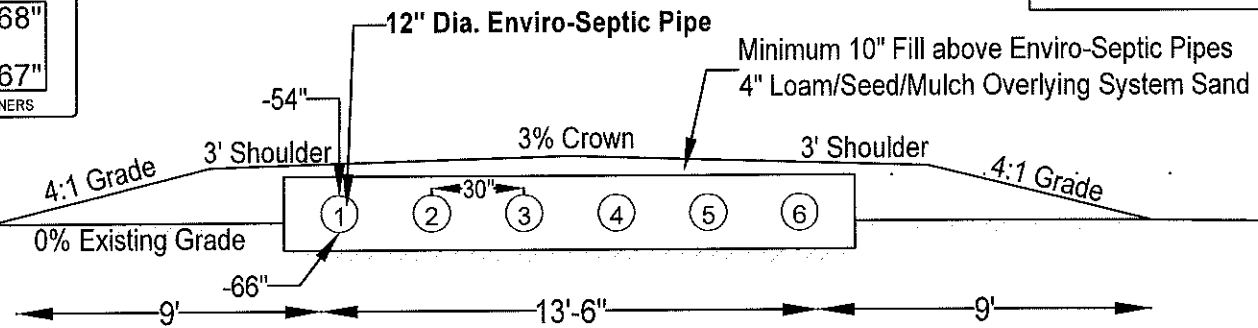
**ELEVATION REFERENCE POINT**

Location & Description: Nail and Slash Mark  
47" above base of Oak Tree  
 Reference Elevation: 0.0"

**Existing Grade Elevations**  
 -63" -68"  
 -63" -67"  
 FIELD CORNERS

**DISPOSAL FIELD CROSS SECTION**

Scales:  
 Vertical: 1" = 5'  
 Horizontal: 1" = 5'



**NOTES:**

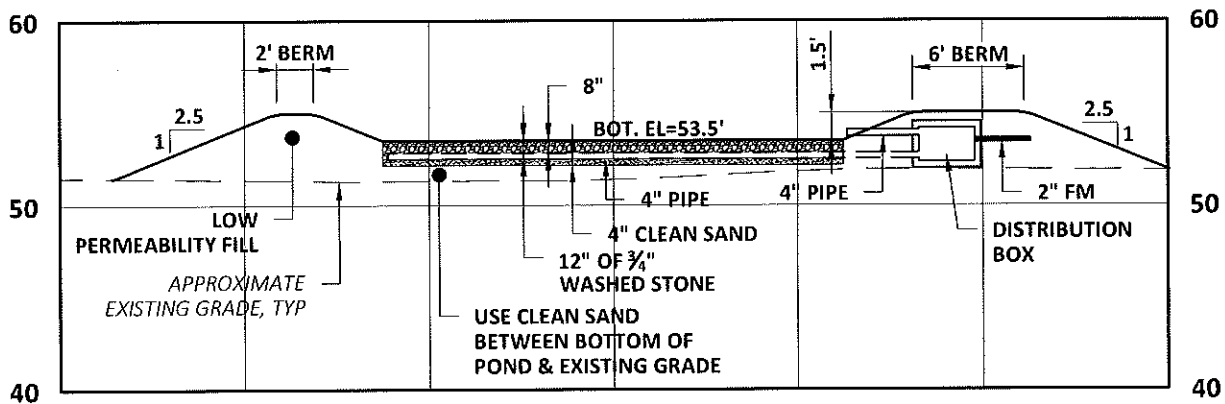
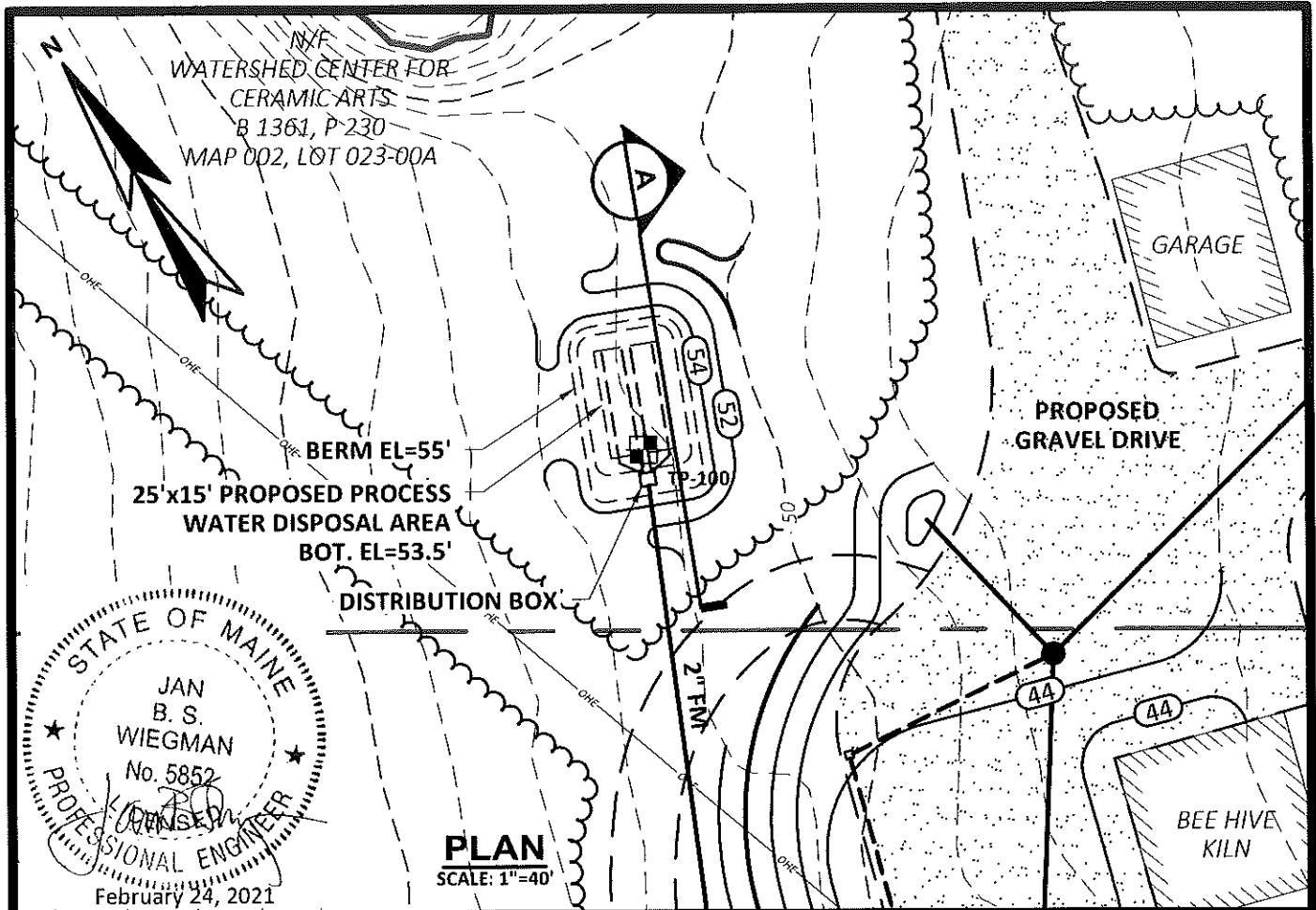
1. Remove vegetation and organic layer and scarify soil surface under drainfield and fill extension area before installing fill.
2. The soil texture for backfill is gravely coarse sand. See section 11.E of the code for backfill textural gradation requirements.
3. A minimum of 4 inches of backfill materials must be mixed into the original soil to form a transitional horizon.
4. Enviro-Septic pipe requires a minimum of 6 inches of sand around the circumference.  
 See the Enviro-Septic Installation Handbook for sand specifications and other installation requirements.
5. Bottom of the pipe shall be level with a minimum grade tolerance of 1 inch per 100 feet.
6. Provide a drainage diversion to prevent surface water flow across the disposal area.

*Matthew Page*  
 Site Evaluator Signature

**394**  
 SE #

**10/30/20**  
 Date

Page 3 of 3  
 HHE-200 Rev. 10/02



**SECTION**

SCALE: 1"=10'



WATERSHED CENTER FOR CERAMIC ARTS  
STUDIO FACILITY IMPROVEMENTS  
EDGEComb, MAINE

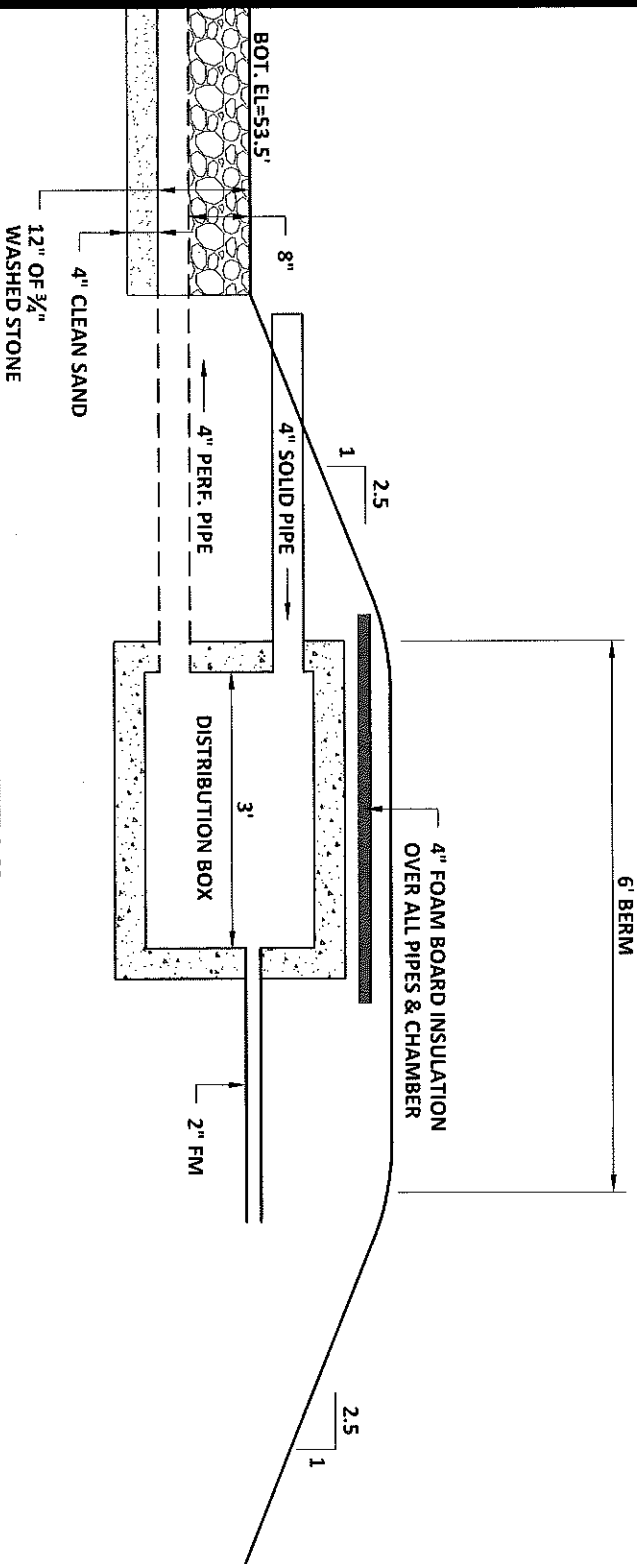
PROJ NO: 20396 DATE: FEBRUARY 2021

NO.	REVISIONS	DRAWN BY	APP'D
1		---	
2			
3			

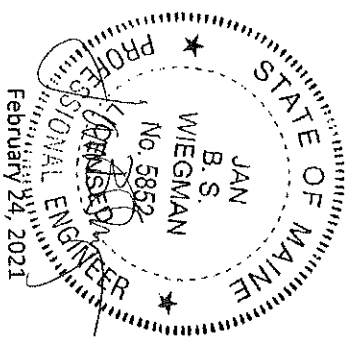
**WRIGHT-PIERCE**

**DISPOSAL POND SKETCH**

FIGURE:  
**1**



**DETAIL**  
SCALE: 1"=2'



WATERSHED CENTER FOR CERAMIC ARTS  
STUDIO FACILITY IMPROVEMENTS  
EDGECOMB, MAINE

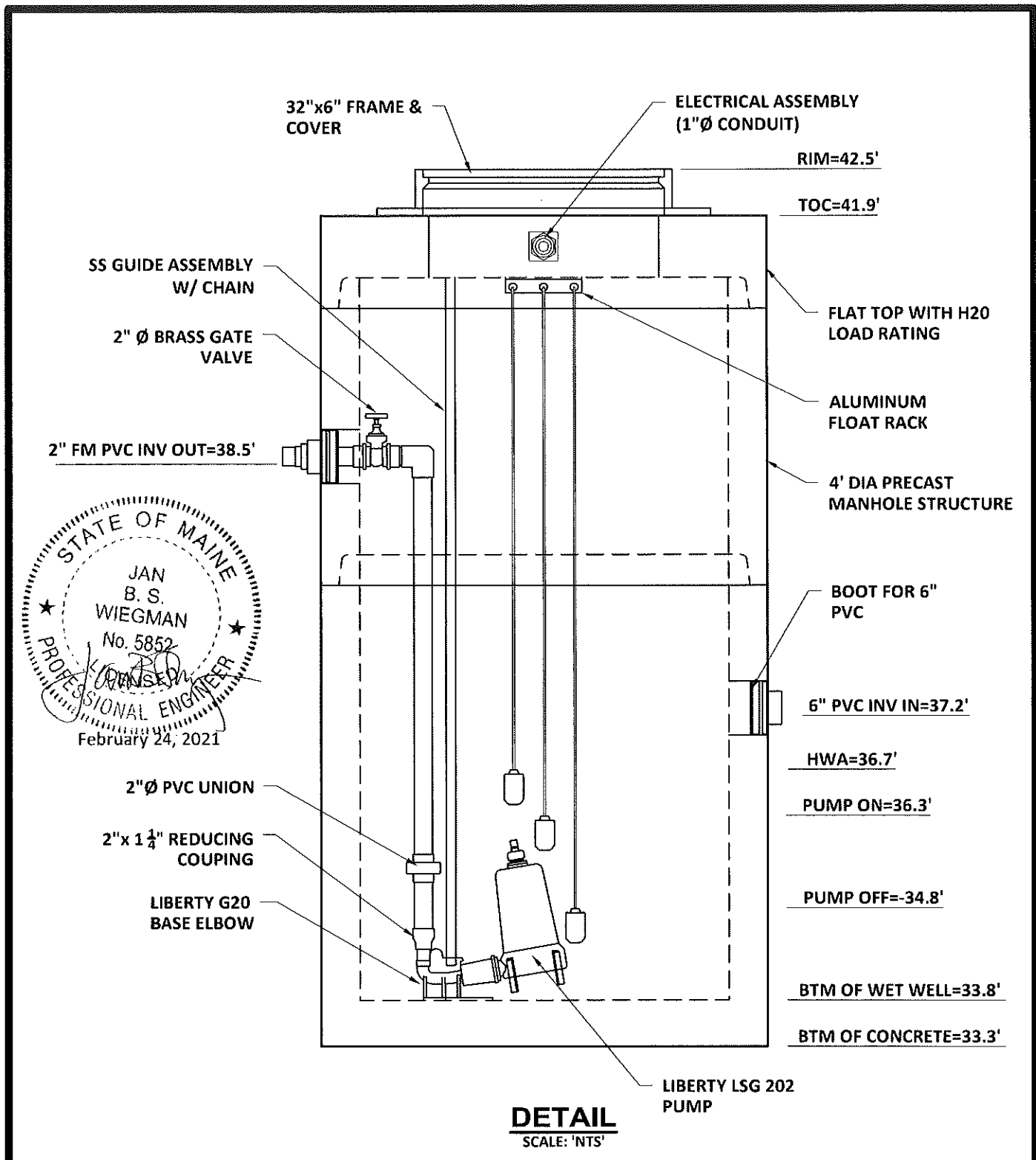
PROJ NO: 20396      DATE: FEBRUARY 2021

NO.	REVISIONS	DRAWN BY	APP'D
1			
2			
3			



**DISTRIBUTION BOX DETAIL**

FIGURE:  
**2**



**DETAIL**  
SCALE: 'NTS'

<b>WATERSHED CENTER FOR CERAMIC ARTS STUDIO FACILITY IMPROVEMENTS EDGEComb, MAINE</b>		NO.	REVISIONS	DRAWN BY	APP'D
		1			
		2			
PROJ NO: 20396	DATE: FEBRUARY 2021	3			
<b>WRIGHT-PIERCE</b>				<b>DISPOSAL POND PUMP STATION DETAIL</b>	
				FIGURE: <b>3</b>	