

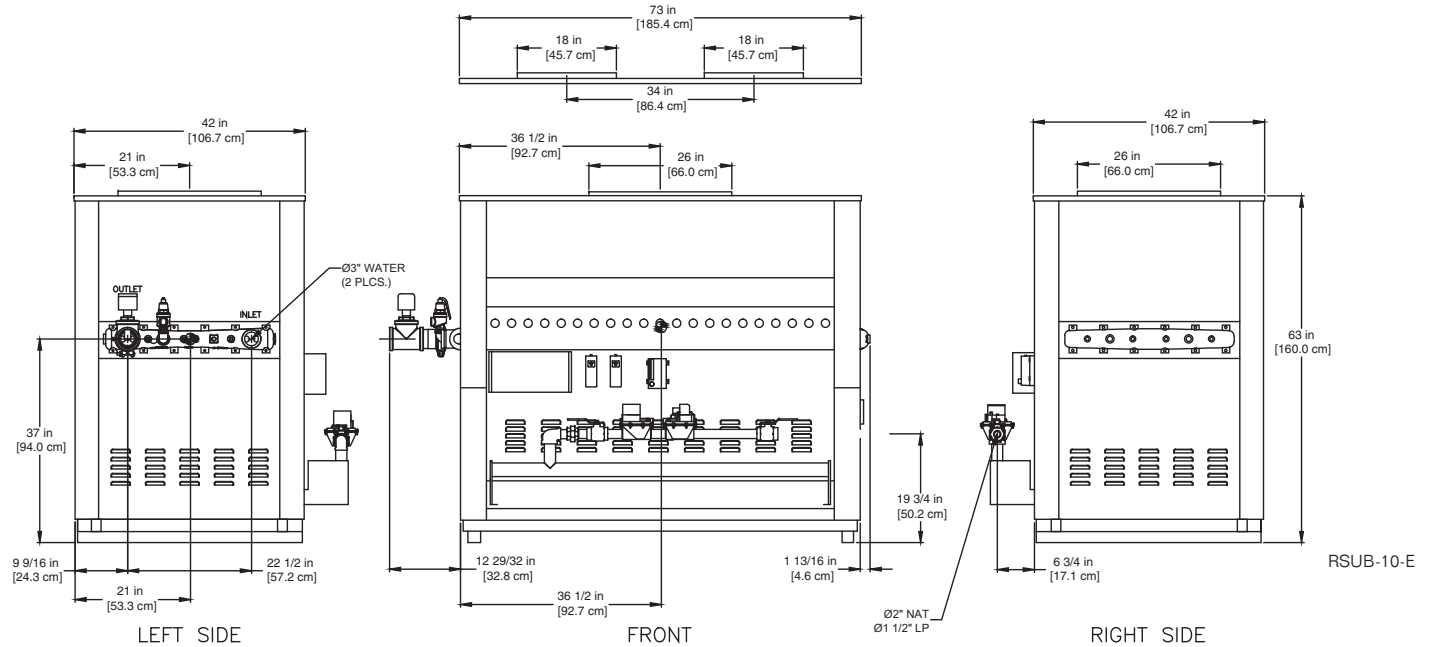
CODE OPTIONS

CSD-1	UTC 1003-616A Ignition Control UTC Lockout/Reset Control Manual Reset LWCO
FM	RM7890A Flame Safeguard (2) Motorized Valves (One w/POC) Normally Open Vent Valve Manual Reset LWCO
IRI	IRI requirements as listed in IM.4.1.1 (two motorized safety valves with N.O.V.V. no longer applies to listed atmospheric gas boilers). The addition of CSD-1 option satisfies IRI requirements for the 8800 Series.
Kentucky	200°F Maximum Operating Control and High Limit

NOTE:

Dimensions are approximate and should not be used to "rough-in" equipment.
* Add circulator amps.

**For incoming gas pressures lower than 6" WC natural or 11" WC propane, consult factory.



AGA CERTIFIED RATINGS & CAPACITIES

Fuel Type	Natural/Propane Gas	Boiler FLA	1*
Input BTU/hr.	2,800,000 / 820 kW	Min. Gas Pressure Required	6" WC**
Output BTU/hr.	2,296,000 / 673 kW	Max. Gas Pressure Allowed	14" WC
Electrical Requirements	120VAC / 1 ph / 60 hz	Operating Weight	1394 lbs. / 632 kg.

TEMPERATURE RISE / PRESSURE DROP

25°F / 13.9°C				30°F / 16.7°C				35°F / 19.4°C			
Flow Rate		Pressure Drop		Flow Rate		Pressure Drop		Flow Rate		Pressure Drop	
GPM	L/s	Ft	kPa	GPM	L/s	Ft	kPa	GPM	L/s	Ft	kPa
183.7	11.6	6.9	20.3	153.1	9.7	4.9	14.5	131.2	8.3	3.7	10.9

BOILER TRIM & CONTROLS

Main Gas Valve	Honeywell V8944B 2"	High Limit (HB/HW)	Honeywell L4008E
Firing Valve	Honeywell B200T1066 2"	Ignition Control	Honeywell S8610M
Safety Valve	Honeywell (2) V88A 2"	Solenoid Valve w/Reg.	CV100
Operating Control (HB)	Honeywell L4008A - On/Off	Relief Valve - HW	3/4" x 3/4" set @125 psi
Operating Control (HW)	Honeywell L6008A - On/Off	Relief Valve - HB	1-1/4" x 1-1/2" set @ 50 psi
Operating Control (HB/HW)	Honeywell L6008G - 2 Stg.	Flow Switch	TACO IFS-1
Operating Control (HB/HW)	Tekmar BTC- 4PA- 4 Stg.		

RECOVERY CAPACITY

40°F	22°C	60°F	33°C	80°F	44°C	100°F	56°C	120°F	67°C	140°F	78°C
6891	26084	4594	17390	3445	13042	2756	10434	2297	8695	1969	7453

ASME

ASME Sect IV Htg Surface	232.12 Sq. Ft. / 21.56 Sq. M.	Design Data	Max. 160 psig & 250°F
Water Volume	4.4 gal / 16.7 l (liters)		

REP FIRM _____
 SUBMITTED BY _____
 JOB NAME _____
 ARCHITECT _____
 ENGINEER _____
 CONTRACTOR _____
 DATE _____

8800 2800

Category I Appliance

Must be vented into a negative pressure vent system



A Division of Mestek, Inc.
 Westfield, MA 01085
 (413) 568-9571