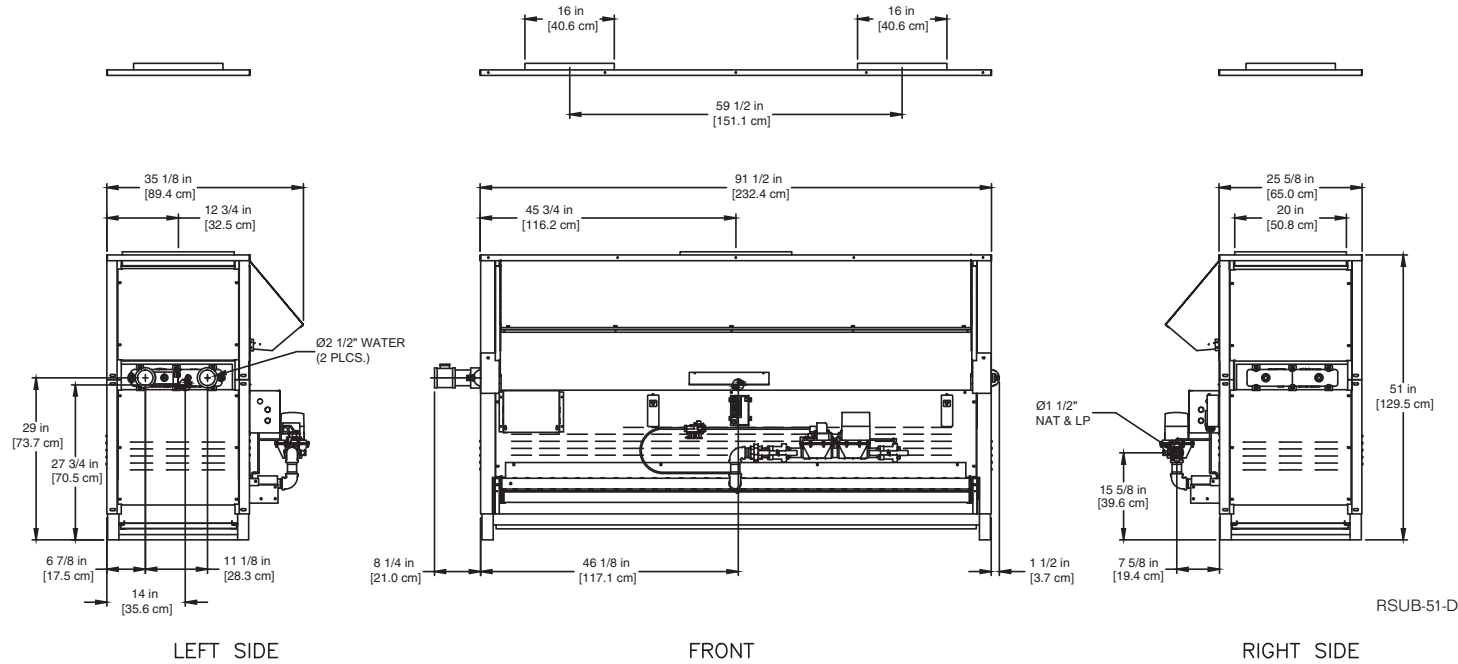


CODE OPTIONS

CSD-1	UTC 1003-616A Ignition Control UTC Lockout/Reset Control Manual Reset LWCO
IRI	IRI requirements as listed in IM.4.1.1 (two motorized safety valves with N.O.V.V. no longer applies to listed atmospheric gas boilers). The addition of CSD-1 option satisfies IRI requirement for the 8900 Series.
Kentucky	200 °F Maximum Operating Control and High Limit

NOTE: Dimensions are approximate and should not be used to "rough-in" equipment.

- * Add circulator amps.
- ** For incoming gas pressures lower than 6" WC natural or 11" WC propane, consult factory.



RSUB-51-D

AGA CERTIFIED RATINGS & CAPACITIES

Fuel Type	Natural/Propane Gas	Boiler FLA	1*
Input BTU/hr.	1,900,000 / 557 kW	Min. Gas Pressure Required	6" WC**
Output BTU/hr.	1,539,000 / 451 kW	Max. Gas Pressure Allowed	14" WC
Electrical Requirements	120VAC / 1 ph / 60 hz	Operating Weight	922 lbs. / 418 kg.

TEMPERATURE RISE / PRESSURE DROP

30°F / 16.7°C			
Flow Rate		Pressure Drop	
GPM	L/s	Ft	kPa
87.9	5.5	8.1	23.9

BOILER TRIM & CONTROLS

Main Gas Valve	Honeywell V8944B 1-1/2"	High Limit (HB/HW)	Honeywell L4008E
Firing Valve	Honeywell B200T1058 1-1/2"	Ignition Control	Honeywell S8610M
Safety Valve	Honeywell V88A 1-1/2"	Solenoid Valve w/Reg.	CV100
Operating Control (HB)	Honeywell L4008A - On/Off	Relief Valve - HW	3/4" x 3/4" set @ 125 psi
Operating Control (HW)	Honeywell L6008A - On/Off	Relief Valve - HB	1" x 1-1/4" set @ 50 psi
Operating Control (HB/HW)	Honeywell L6008G - 2 Stage	Flow Switch	TACO IFS-1
Operating Control (HB/HW)	Tekmar BTC- 4PA- 4 Stg.		

RECOVERY CAPACITY

40°F	22°C	60°F	33°C	80°F	44°C	100°F	56°C	120°F	67°C	140°F	78°C
4619	17484	3079	11656	2309	8742	1848	6994	1540	5828	1320	4996

ASME

ASME Sect IV Htg Surface	147.79 Sq. Ft. / 13.73 Sq. M.	Design Data	Max. 160 psig & 250°F
Water Volume	2.7 gal / 10.2 l (liters)		

REP FIRM _____
SUBMITTED BY _____
JOB NAME _____
ARCHITECT _____
ENGINEER _____
CONTRACTOR _____
DATE _____

8900 1900

Category I Appliance

Must be vented into a negative pressure vent system.



A Division of Mestek, Inc.
Westfield, MA 01085
(413) 568-9571