

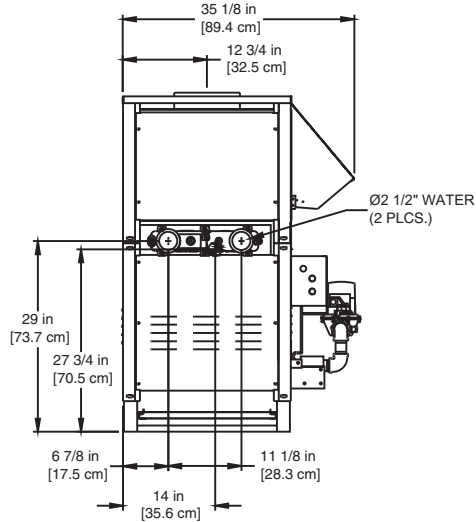
**CODE OPTIONS**

<b>CSD-1</b>	UTC 1003-616A Ignition Control UTC Lockout/Reset Control Manual Reset LWCO
<b>IRI</b>	IRI requirements as listed in IM.4.1.1 (two motorized safety valves with N.O.V.V. no longer applies to listed atmospheric gas boilers). The addition of CSD-1 option satisfies IRI requirement for the 8900 Series.
<b>Kentucky</b>	200 °F Maximum Operating Control and High Limit

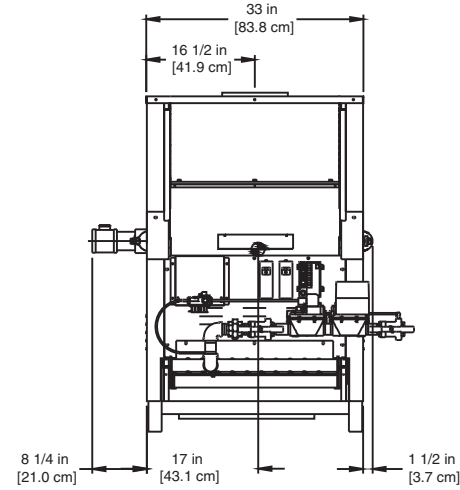
**NOTE:** Dimensions are approximate and should not be used to "rough-in" equipment.

\* Add circulator amps.  
\*\* For incoming gas pressures lower than 6" WC natural or 11" WC propane, consult factory.

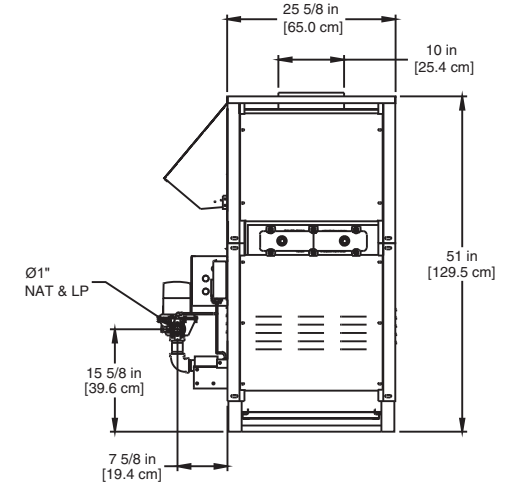
Supply and return pipe may have 2-1/2" x 2" reducing fitting installed.



LEFT SIDE



FRONT



RIGHT SIDE

RSUB-38-D

**AGA CERTIFIED RATINGS & CAPACITIES**

<b>Fuel Type</b>	Natural/Propane Gas	<b>Boiler FLA</b>	1*
<b>Input BTU/hr.</b>	530,000 / 155 kW	<b>Min. Gas Pressure Required</b>	6" WC**
<b>Output BTU/hr.</b>	429,300 / 126 kW	<b>Max. Gas Pressure Allowed</b>	14" WC
<b>Electrical Requirements</b>	120VAC / 1 ph / 60 hz	<b>Operating Weight</b>	449 lbs. / 204 kg.

**TEMPERATURE RISE / PRESSURE DROP**

20°F / 11.1°C				25°F / 13.9°C			
Flow Rate		Pressure Drop		Flow Rate		Pressure Drop	
GPM	L/s	Ft	kPa	GPM	L/s	Ft	kPa
42.9	2.7	0.7	2.0	34.3	2.2	0.4	1.3

**BOILER TRIM & CONTROLS**

<b>Main Gas Valve</b>	Honeywell V8944B 1"	<b>High Limit (HB/HW)</b>	Honeywell L4008E
<b>Firing Valve</b>	Honeywell B200T1033 1"	<b>Ignition Control</b>	Honeywell S8610M
<b>Safety Valve</b>	Honeywell V88A 1"	<b>Solenoid Valve w/Reg.</b>	CV100
<b>Operating Control (HB)</b>	Honeywell L4008A - On/Off	<b>Relief Valve - HW</b>	3/4" x 3/4" set @ 125 psi
<b>Operating Control (HW)</b>	Honeywell L6008A - On/Off	<b>Relief Valve - HB</b>	3/4" x 3/4" set @ 50 psi
<b>Operating Control (HB/HW)</b>	Honeywell L6008G - 2 Stage	<b>Flow Switch</b>	TACO IFS-1
<b>Operating Control (HB/HW)</b>	Tekmar BTC- 4PA- 4 Stg.		

**RECOVERY CAPACITY**

40°F	22°C	60°F	33°C	80°F	44°C	100°F	56°C	120°F	67°C	140°F	78°C
1288	4877	859	3251	644	2439	515	1951	429	1626	368	1393

**ASME**

<b>ASME Sect IV Htg Surface</b>	46.08 Sq. Ft. / 4.28 Sq. M.	<b>Design Data</b>	Max. 160 psig & 250°F
<b>Water Volume</b>	1.4 gal / 5.3 l (liters)		

**REP FIRM** \_\_\_\_\_  
**SUBMITTED BY** \_\_\_\_\_  
**JOB NAME** \_\_\_\_\_  
**ARCHITECT** \_\_\_\_\_  
**ENGINEER** \_\_\_\_\_  
**CONTRACTOR** \_\_\_\_\_  
**DATE** \_\_\_\_\_

**8900 530**

**Category I Appliance**

Must be vented into a negative pressure vent system.



® A Division of Mestek, Inc.  
Westfield, MA 01085  
(413) 568-9571