

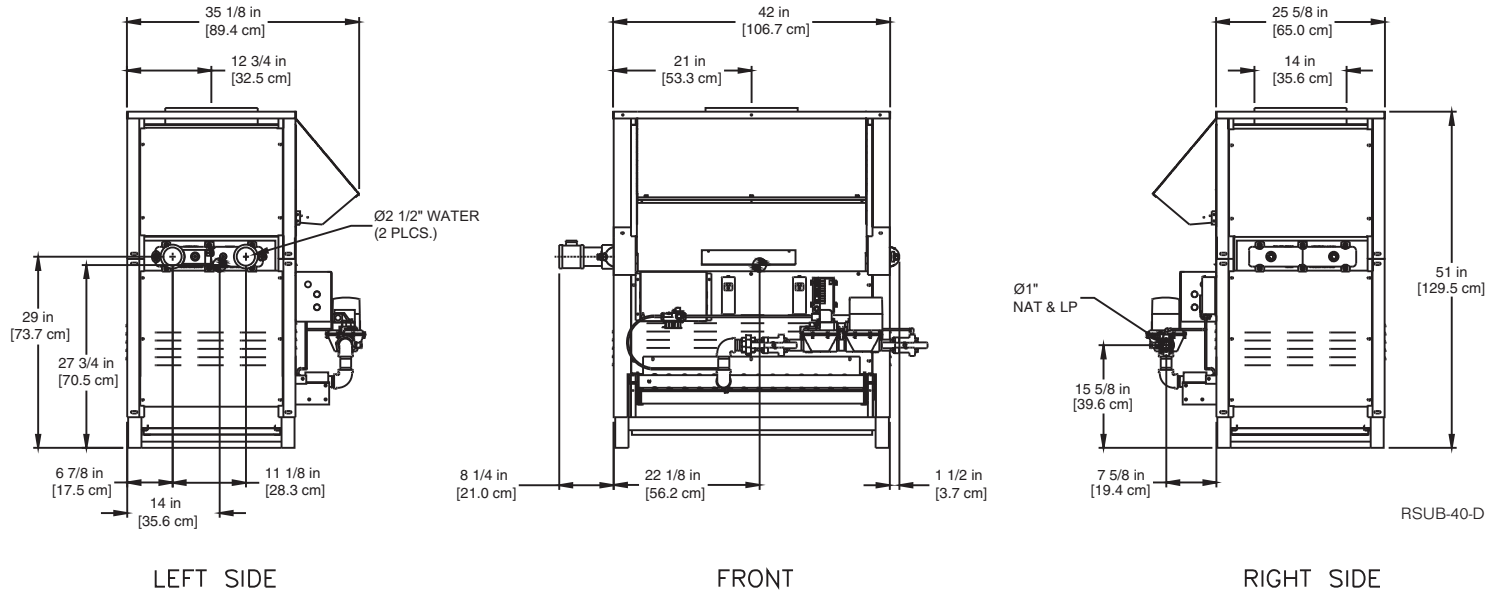
**CODE OPTIONS**

<b>CSD-1</b>	UTC 1003-616A Ignition Control UTC Lockout/Reset Control Manual Reset LWCO
<b>IRI</b>	IRI requirements as listed in IM.4.1.1 (two motorized safety valves with N.O.V.V. no longer applies to listed atmospheric gas boilers). The addition of CSD-1 option satisfies IRI requirement for the 8900 Series.
<b>Kentucky</b>	200 °F Maximum Operating Control and High Limit

**NOTE:** Dimensions are approximate and should not be used to "rough-in" equipment.

\* Add circulator amps.  
\*\* For incoming gas pressures lower than 6" WC natural or 11" WC propane, consult factory.

Supply and return pipe may have 2-1/2" x 2" reducing fitting installed.



**AGA CERTIFIED RATINGS & CAPACITIES**

<b>Fuel Type</b>	Natural/Propane Gas	<b>Boiler FLA</b>	1*
<b>Input BTU/hr.</b>	735,000 / 215 kW	<b>Min. Gas Pressure Required</b>	6" WC**
<b>Output BTU/hr.</b>	595,350 / 174 kW	<b>Max. Gas Pressure Allowed</b>	14" WC
<b>Electrical Requirements</b>	120VAC / 1 ph / 60 hz	<b>Operating Weight</b>	521 lbs. / 236 kg.

**TEMPERATURE RISE / PRESSURE DROP**

20°F / 11.1°C				25°F / 13.9°C				30°F / 16.7°C				35°F / 19.4°C			
Flow Rate		Pressure Drop		Flow Rate		Pressure Drop		Flow Rate		Pressure Drop		Flow Rate		Pressure Drop	
GPM	L/s	Ft	kPa	GPM	L/s	Ft	kPa	GPM	L/s	Ft	kPa	GPM	L/s	Ft	kPa
59.5	3.8	1.6	4.8	47.6	3.0	1.1	3.2	39.7	2.5	0.8	2.3	34.0	2.1	0.6	1.7

**BOILER TRIM & CONTROLS**

<b>Main Gas Valve</b>	Honeywell V8944B 1"	<b>High Limit (HB/HW)</b>	Honeywell L4008E
<b>Firing Valve</b>	Honeywell B200T1033 1"	<b>Ignition Control</b>	Honeywell S8610M
<b>Safety Valve</b>	Honeywell V88A 1"	<b>Solenoid Valve w/Reg.</b>	CV100
<b>Operating Control (HB)</b>	Honeywell L4008A - On/Off	<b>Relief Valve - HW</b>	3/4" x 3/4" set @ 125 psi
<b>Operating Control (HW)</b>	Honeywell L6008A - On/Off	<b>Relief Valve - HB</b>	3/4" x 3/4" set @ 50 psi
<b>Operating Control (HB/HW)</b>	Honeywell L6008G - 2 Stage	<b>Flow Switch</b>	TACO IFS-1
<b>Operating Control (HB/HW)</b>	Tekmar BTC- 4PA- 4 Stg.		

**RECOVERY CAPACITY**

40°F	22°C	60°F	33°C	80°F	44°C	100°F	56°C	120°F	67°C	140°F	78°C
1787	6764	1191	4509	893	3382	715	2705	596	2255	511	1932

**ASME**

<b>ASME Sect IV Htg Surface</b>	61.72 Sq. Ft. / 5.73 Sq. M.	<b>Design Data</b>	Max. 160 psig & 250°F
<b>Water Volume</b>	1.6 gal / 6.1 l (liters)		

**REP FIRM** \_\_\_\_\_  
**SUBMITTED BY** \_\_\_\_\_  
**JOB NAME** \_\_\_\_\_  
**ARCHITECT** \_\_\_\_\_  
**ENGINEER** \_\_\_\_\_  
**CONTRACTOR** \_\_\_\_\_  
**DATE** \_\_\_\_\_

**8900 735**

**Category I Appliance**  
Must be vented into a negative pressure vent system.



A Division of Mestek, Inc.  
Westfield, MA 01085  
(413) 568-9571