

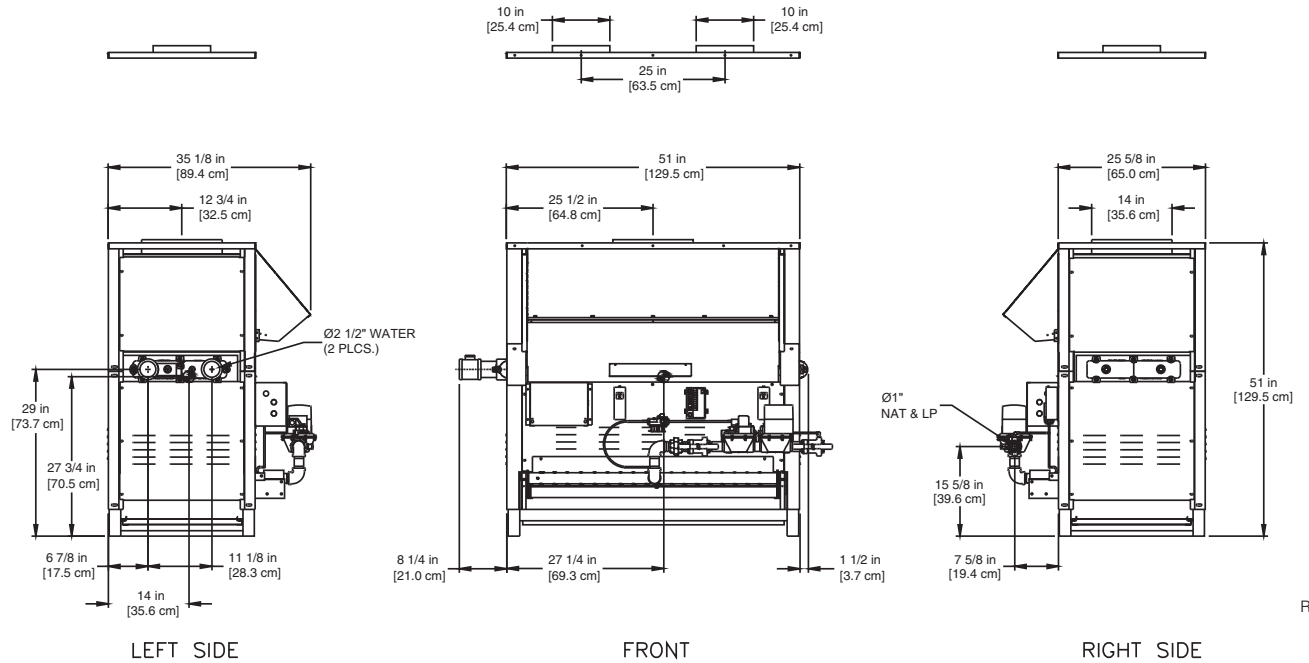
CODE OPTIONS

CSD-1	UTC 1003-616A Ignition Control UTC Lockout/Reset Control Manual Reset LWCO
IRI	IRI requirements as listed in IM.4.1.1 (two motorized safety valves with N.O.V.V. no longer applies to listed atmospheric gas boilers). The addition of CSD-1 option satisfies IRI requirement for the 8900 Series.
Kentucky	200 °F Maximum Operating Control and High Limit

NOTE: Dimensions are approximate and should not be used to "rough-in" equipment.

* Add circulator amps.
** For incoming gas pressures lower than 6" WC natural or 11" WC propane, consult factory.

Supply and return pipe may have 2-1/2" x 2" reducing fitting installed.



RSUB-42-D

AGA CERTIFIED RATINGS & CAPACITIES

Fuel Type	Natural/Propane Gas	Boiler FLA	1*
Input BTU/hr.	950,000 / 278 kW	Min. Gas Pressure Required	6" WC**
Output BTU/hr.	769,500 / 225 kW	Max. Gas Pressure Allowed	14" WC
Electrical Requirements	120VAC / 1 ph / 60 hz	Operating Weight	605 lbs. / 274 kg.

TEMPERATURE RISE / PRESSURE DROP

20° F / 11.1°C				25° F / 13.9°C				30° F / 16.7°C				35° F / 19.4°C			
Flow Rate		Pressure Drop		Flow Rate		Pressure Drop		Flow Rate		Pressure Drop		Flow Rate		Pressure Drop	
GPM	L/s	Ft	kPa	GPM	L/s	Ft	kPa	GPM	L/s	Ft	kPa	GPM	L/s	Ft	kPa
77.0	4.9	3.3	9.8	61.6	3.9	2.2	6.5	51.3	3.2	1.6	4.6	44.0	2.8	1.2	3.5

BOILER TRIM & CONTROLS

Main Gas Valve	Honeywell V8944B 1"	High Limit (HB/HW)	Honeywell L4008E
Firing Valve	Honeywell B200T1033 1"	Ignition Control	Honeywell S8610M
Safety Valve	Honeywell V88A 1"	Solenoid Valve w/Reg.	CV100
Operating Control (HB)	Honeywell L4008A - On/Off	Relief Valve - HW	3/4" x 3/4" set @ 125 psi
Operating Control (HW)	Honeywell L6008A - On/Off	Relief Valve - HB	3/4" x 3/4" set @ 50 psi
Operating Control (HB/HW)	Honeywell L6008G - 2 Stage	Flow Switch	TACO IFS-1
Operating Control (HB/HW)	Tekmar BTC- 4PA- 4 Stg.		

RECOVERY CAPACITY

40°F	22°C	60°F	33°C	80°F	44°C	100°F	56°C	120°F	67°C	140°F	78°C
2309	8742	1540	5828	1155	4371	924	3497	770	2914	660	2498

ASME

ASME Sect IV Htg Surface	77.38 Sq. Ft. / 7.19 Sq. M.	Design Data	Max. 160 psig & 250° F
Water Volume	1.8 gal / 6.8 l (liters)		

REP FIRM _____
 SUBMITTED BY _____
 JOB NAME _____
 ARCHITECT _____
 ENGINEER _____
 CONTRACTOR _____
 DATE _____

8900 950

Category I Appliance

Must be vented into a negative pressure vent system.



A Division of Mestek, Inc.
 Westfield, MA 01085
 (413) 568-9571

S8900-950-4