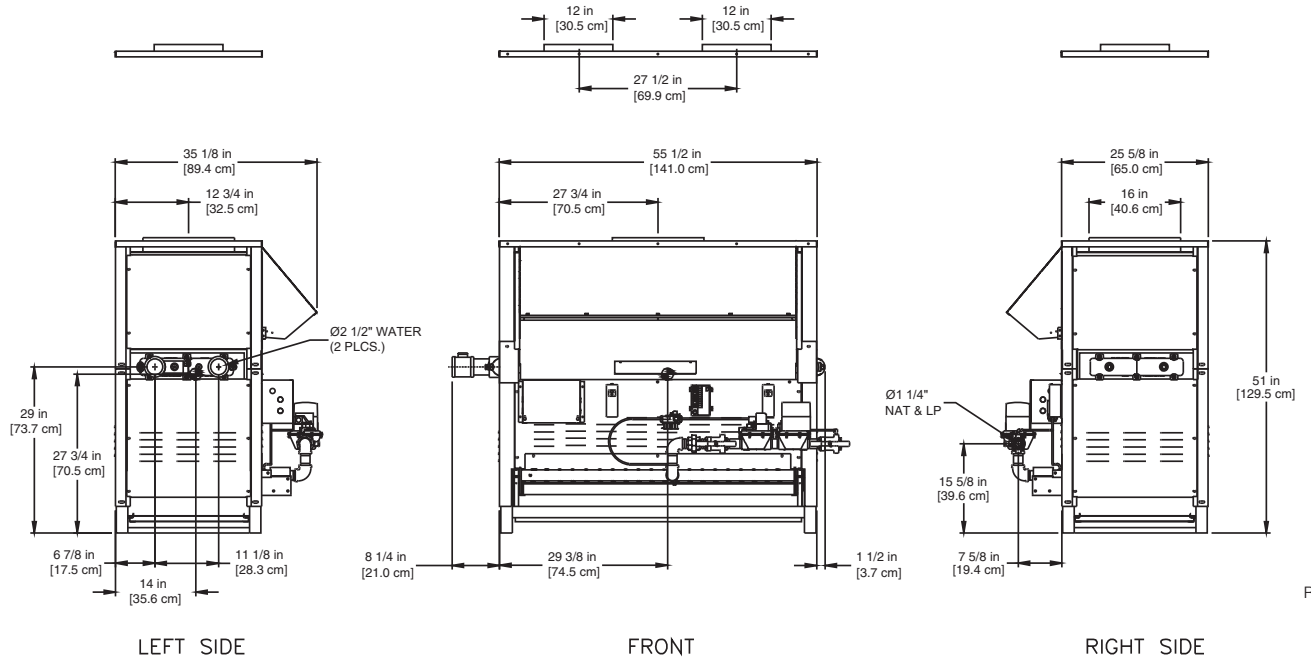


CODE OPTIONS

CSD-1	UTC 1003-616A Ignition Control UTC Lockout/Reset Control Manual Reset LWCO
IRI	IRI requirements as listed in IM.4.1.1 (two motorized safety valves with N.O.V.V. no longer applies to listed atmospheric gas boilers). The addition of CSD-1 option satisfies IRI requirement for the 8900 Series.
Kentucky	200 °F Maximum Operating Control and High Limit

NOTE: Dimensions are approximate and should not be used to "rough-in" equipment.

- * Add circulator amps.
- ** For incoming gas pressures lower than 6" WC natural or 11" WC propane, consult factory.



RSUB-43-D

AGA CERTIFIED RATINGS & CAPACITIES

Fuel Type	Natural/Propane Gas	Boiler FLA	1*
Input BTU/hr.	1,050,000 / 308 kW	Min. Gas Pressure Required	6" WC**
Output BTU/hr.	850,500 / 249 kW	Max. Gas Pressure Allowed	14" WC
Electrical Requirements	120VAC / 1 ph / 60 hz	Operating Weight	656 lbs. / 298 kg.

TEMPERATURE RISE / PRESSURE DROP

20°F / 11.1°C				25°F / 13.9°C				30°F / 16.7°C				35°F / 19.4°C			
Flow Rate		Pressure Drop		Flow Rate		Pressure Drop		Flow Rate		Pressure Drop		Flow Rate		Pressure Drop	
GPM	L/s	Ft	kPa	GPM	L/s	Ft	kPa	GPM	L/s	Ft	kPa	GPM	L/s	Ft	kPa
85.1	5.4	4.4	12.9	68.0	4.3	2.9	8.6	56.7	3.6	2.1	6.1	48.6	3.1	1.6	4.6

BOILER TRIM & CONTROLS

Main Gas Valve	Honeywell V8944B 1-1/4"	High Limit (HB/HW)	Honeywell L4008E
Firing Valve	Honeywell B200T1041 1-1/4"	Ignition Control	Honeywell S8610M
Safety Valve	Honeywell V88A 1-1/4"	Solenoid Valve w/Reg.	CV100
Operating Control (HB)	Honeywell L4008A - On/Off	Relief Valve - HW	3/4" x 3/4" set @ 125 psi
Operating Control (HW)	Honeywell L6008A - On/Off	Relief Valve - HB	3/4" x 3/4" set @ 50 psi
Operating Control (HB/HW)	Honeywell L6008G - 2 Stage	Flow Switch	TACO IFS-1
Operating Control (HB/HW)	Tekmar BTC- 4PA- 4 Stg.		

RECOVERY CAPACITY

40°F	22°C	60°F	33°C	80°F	44°C	100°F	56°C	120°F	67°C	140°F	78°C
2553	9662	1702	6442	1276	4831	1021	3865	851	3221	729	2761

ASME

ASME Sect IV Htg Surface	85.19 Sq. Ft. / 7.91 Sq. M.	Design Data	Max. 160 psig & 250°F
Water Volume	1.9 gal / 7.2 l (liters)		

REP FIRM _____
SUBMITTED BY _____
JOB NAME _____
ARCHITECT _____
ENGINEER _____
CONTRACTOR _____
DATE _____

8900 1050

Category I Appliance

Must be vented into a negative pressure vent system.



A Division of Mestek, Inc.
Westfield, MA 01085
(413) 568-9571