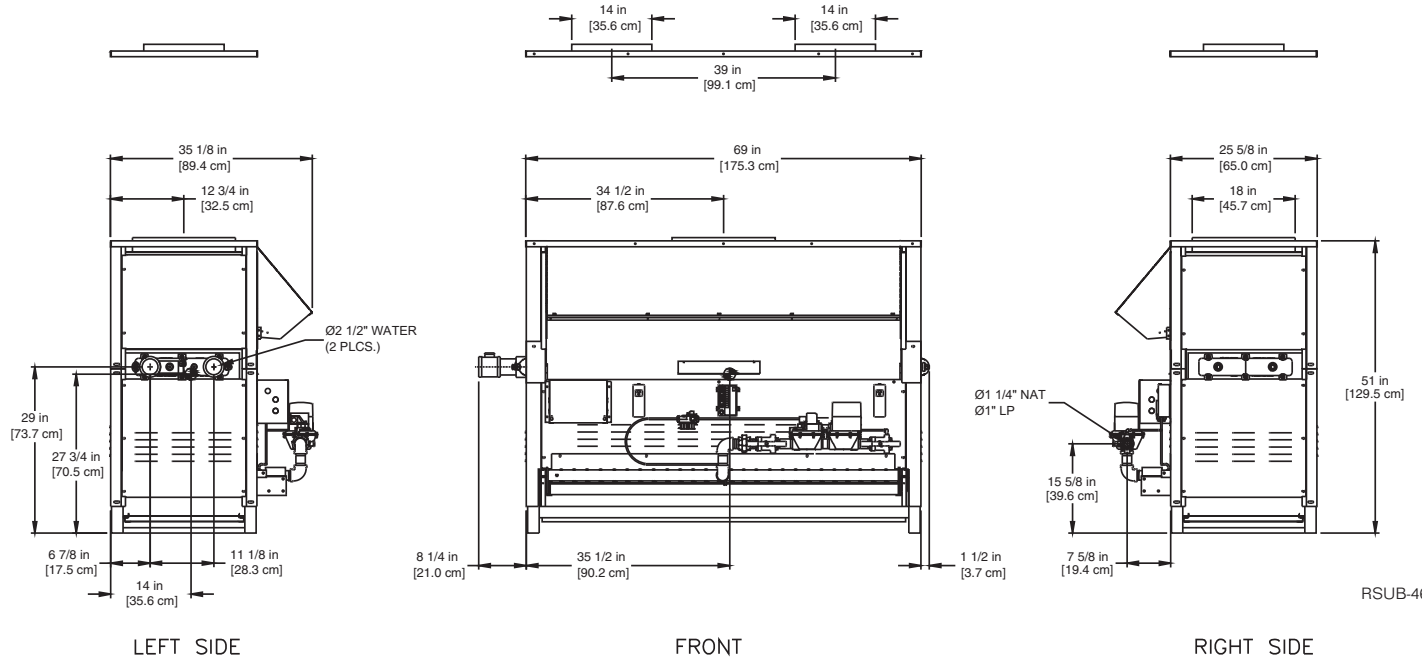


**CODE OPTIONS**

<b>CSD-1</b>	UTC 1003-616A Ignition Control UTC Lockout/Reset Control Manual Reset LWCO
<b>IRI</b>	IRI requirements as listed in IM.4.1.1 (two motorized safety valves with N.O.V.V. no longer applies to listed atmospheric gas boilers). The addition of CSD-1 option satisfies IRI requirement for the 8900 Series.
<b>Kentucky</b>	200 °F Maximum Operating Control and High Limit

**NOTE:** Dimensions are approximate and should not be used to "rough-in" equipment.

\* Add circulator amps.  
\*\* For incoming gas pressures lower than 6" WC natural or 11" WC propane, consult factory.



RSUB-46-D

**AGA CERTIFIED RATINGS & CAPACITIES**

<b>Fuel Type</b>	Natural/Propane Gas	<b>Boiler FLA</b>	1*
<b>Input BTU/hr.</b>	1,370,000 / 401 kW	<b>Min. Gas Pressure Required</b>	6" WC**
<b>Output BTU/hr.</b>	1,109,700 / 325 kW	<b>Max. Gas Pressure Allowed</b>	14" WC
<b>Electrical Requirements</b>	120VAC / 1 ph / 60 hz	<b>Operating Weight</b>	758 lbs. / 344 kg.

**TEMPERATURE RISE / PRESSURE DROP**

25°F / 13.9°C				30°F / 16.7°C				35°F / 19.4°C			
Flow Rate		Pressure Drop		Flow Rate		Pressure Drop		Flow Rate		Pressure Drop	
GPM	L/s	Ft	kPa	GPM	L/s	Ft	kPa	GPM	L/s	Ft	kPa
88.8	5.6	6.1	17.9	74.0	4.7	4.3	12.8	63.4	4.0	3.3	9.6

**BOILER TRIM & CONTROLS**

<b>Main Gas Valve</b>	Honeywell V8944B 1-1/4"	<b>High Limit (HB/HW)</b>	Honeywell L4008E
<b>Firing Valve</b>	Honeywell B200T1041 1-1/4"	<b>Ignition Control</b>	Honeywell S8610M
<b>Safety Valve</b>	Honeywell V88A 1-1/4"	<b>Solenoid Valve w/Reg.</b>	CV100
<b>Operating Control (HB)</b>	Honeywell L4008A - On/Off	<b>Relief Valve - HW</b>	3/4" x 3/4" set @ 125 psi
<b>Operating Control (HW)</b>	Honeywell L6008A - On/Off	<b>Relief Valve - HB</b>	3/4" x 1" set @ 50 psi
<b>Operating Control (HB/HW)</b>	Honeywell L6008G - 2 Stage	<b>Flow Switch</b>	TACO IFS-1
<b>Operating Control (HB/HW)</b>	Tekmar BTC- 4PA- 4 Stg.		

**RECOVERY CAPACITY**

40°F	22°C	60°F	33°C	80°F	44°C	100°F	56°C	120°F	67°C	140°F	78°C
3330	12607	2220	8405	1665	6304	1332	5043	1110	4202	952	3602

**ASME**

<b>ASME Sect IV Htg Surface</b>	108.66 Sq. Ft. / 10.09 Sq. M.	<b>Design Data</b>	Max. 160 psig & 250°F
<b>Water Volume</b>	2.2 gal / 8.3 l (liters)		

**REP FIRM** \_\_\_\_\_  
**SUBMITTED BY** \_\_\_\_\_  
**JOB NAME** \_\_\_\_\_  
**ARCHITECT** \_\_\_\_\_  
**ENGINEER** \_\_\_\_\_  
**CONTRACTOR** \_\_\_\_\_  
**DATE** \_\_\_\_\_

**8900 1370**

**Category I Appliance**  
Must be vented into a negative pressure vent system.



® A Division of Mestek, Inc.  
Westfield, MA 01085  
(413) 568-9571