

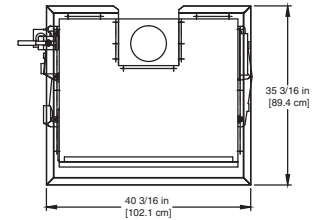
CODE OPTIONS

CSD-1	UTC Lockout/Reset Control Manual Reset LWCO
Kentucky (Water Htr Only)	200°F Maximum Operating Control and High Limit

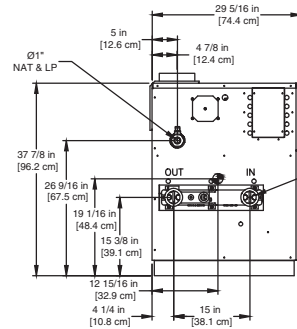
NOTE: Dimensions are approximate and should not be used to "rough-in" equipment.

* Add circulator amps.

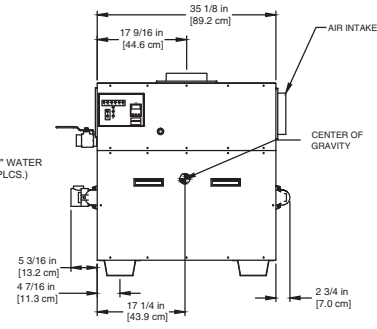
**For incoming gas pressures lower than 7" WC natural or 11" WC propane, consult factory.



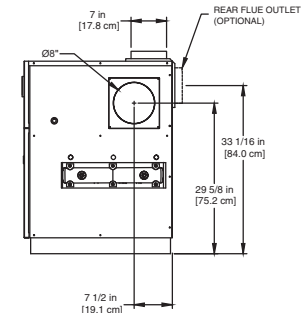
OUTDOOR TOP PANEL



LEFT SIDE



FRONT



RIGHT SIDE

RSUB-29-D

AGA CERTIFIED RATINGS & CAPACITIES

Fuel Type	Natural/Propane Gas	Boiler FLA	3.8*
Input BTU/hr.	600,000 / 176 kW	Min. Gas Pressure Required	6" WC**
Output BTU/hr.	510,000 / 149 kW	Max. Gas Pressure Allowed	14" WC
Electrical Requirements	120VAC/ 1 ph/ 60 hz/ 6 amp	Operating Weight	532 lbs. / 241 kg.

TEMPERATURE RISE / PRESSURE DROP

15°F / 8.3°C		20°F / 11.1°C		25°F / 13.9°C		30°F / 16.7°C									
Flow Rate	Pressure Drop	Flow Rate	Pressure Drop	Flow Rate	Pressure Drop	Flow Rate	Pressure Drop								
GPM	L/s	Ft	kPa	GPM	L/s	Ft	kPa	GPM	L/s	Ft	kPa				
68.1	4.3	1.30	3.8	51.1	3.2	0.76	2.3	40.8	2.6	0.51	1.5	34.0	2.1	0.36	1.1

BOILER TRIM & CONTROLS

Main Gas Valve	Honeywell V8944 1"	Pilot Valve	Honeywell VR8205
Firing Valve	Honeywell B200T1033 1"	Air Switch	Cleveland RSS-495
Safety Valve	ASCO L8214G 1"	Blower Motor	1/5 hp - FLA 3.0
Ignition Control	UTC 1003-61A	Relief Valve - DW	3/4" x 3/4" set @ 125 psi
Operating Control	Tekmar BTC-2PA	Relief Valve - DB	3/4" x 3/4" set @ 50 psi
High Limit	Honeywell L4008E	Flow Switch	TACO IFS-1

RECOVERY CAPACITY

40°F	22°C	60°F	33°C	80°F	44°C	100°F	56°C	120°F	67°C	140°F	78°C
1531	5794	1020	3863	765	2897	612	2318	510	1931	437	1655

ASME

ASME Sect IV Htg Surface	64.0 Sq. Ft. / 5.95 Sq. M.	Design Data	Max. 160 psig & 250°F
Water Volume	3.84 gal / 14.5 l (liters)		

REP FIRM _____
SUBMITTED BY _____
JOB NAME _____
ARCHITECT _____
ENGINEER _____
CONTRACTOR _____
DATE _____

DOMINATOR 600

Category I or Category III Appliance
(See Installation and Operation Manual for venting information)

RBI® A Division of Mestek, Inc.
Westfield, MA 01085
(413) 568-9571