

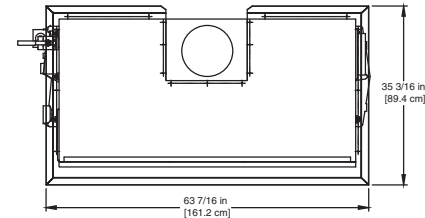
**CODE OPTIONS**

<b>CSD-1</b>	UTC Lockout/Reset Control Manual Reset LWCO
<b>Kentucky</b> (Water Htr Only)	200°F Maximum Operating Control and High Limit

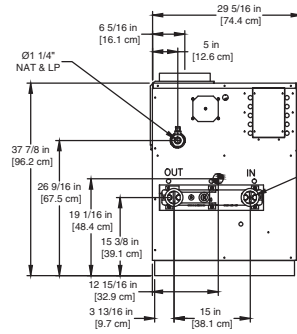
**NOTE:** Dimensions are approximate and should not be used to "rough-in" equipment.

\* Add circulator amps.

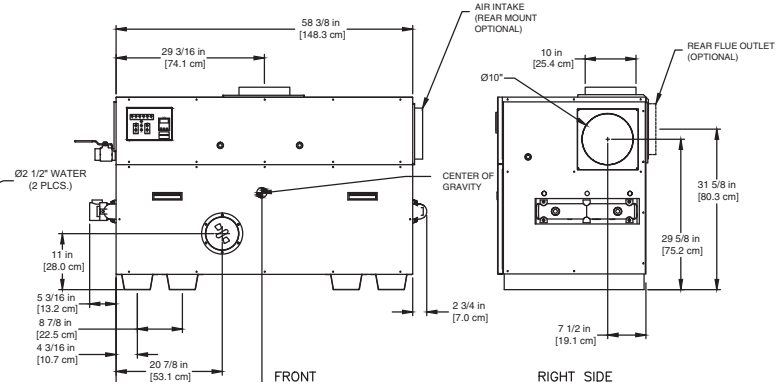
\*\*For incoming gas pressures lower than 7" WC natural or 11" WC propane, consult factory.



OUTDOOR TOP PANEL



LEFT SIDE



FRONT

RIGHT SIDE

RSUB-32-D

**AGA CERTIFIED RATINGS & CAPACITIES**

<b>Fuel Type</b>	Natural/Propane Gas	<b>Boiler FLA</b>	11.0*
<b>Input BTU/hr.</b>	1,050,000 / 308 kW	<b>Min. Gas Pressure Required</b>	6" WC**
<b>Output BTU/hr.</b>	892,500 / 262 kW	<b>Max. Gas Pressure Allowed</b>	14" WC
<b>Electrical Requirements</b>	120VAC/ 1 ph/ 60 hz/ 14 amp	<b>Operating Weight</b>	772 lbs. / 350 kg.

**TEMPERATURE RISE / PRESSURE DROP**

20°F / 11.1°C		25°F / 13.9°C		30°F / 16.7°C		35°F / 19.4°C									
Flow Rate	Pressure Drop	Flow Rate	Pressure Drop	Flow Rate	Pressure Drop	Flow Rate	Pressure Drop								
GPM	L/s	Ft	kPa	GPM	L/s	Ft	kPa	GPM	L/s	Ft	kPa				
89.4	5.6	3.66	10.8	71.5	4.5	2.42	7.1	59.6	3.8	1.73	5.1	51.1	3.2	1.30	3.8

**BOILER TRIM & CONTROLS**

<b>Main Gas Valve</b>	Honeywell (2) V8944 1"	<b>Pilot Valve</b>	Honeywell VR8205
<b>Firing Valve</b>	Honeywell (2) B200T1033 1"	<b>Air Switch</b>	Cleveland RSS-495
<b>Safety Valve</b>	ASCO L8214G 1-1/4"	<b>Blower Motor</b>	(2) 1/4 hp - FLA 10.2
<b>Ignition Control</b>	UTC 1003-61A	<b>Relief Valve - DW</b>	3/4" x 3/4" set @ 125 psi
<b>Operating Control</b>	Tekmar BTC-2PA	<b>Relief Valve - DB</b>	3/4" x 3/4" set @ 50 psi
<b>Operating Control</b>	Tekmar BTC-4PA	<b>Flow Switch</b>	TACO IFS-1
<b>High Limit</b>	Honeywell L4008E		

**RECOVERY CAPACITY**

40°F	22°C	60°F	33°C	80°F	44°C	100°F	56°C	120°F	67°C	140°F	78°C
2679	10140	1786	6760	1339	5070	1071	4056	893	3380	765	2897

**ASME**

<b>ASME Sect IV Htg Surface</b>	110.0 Sq. Ft. / 10.22 Sq. M.	<b>Design Data</b>	Max. 160 psig & 250°F
<b>Water Volume</b>	4.44 gal / 16.8 l (liters)		

**REP FIRM** \_\_\_\_\_  
**SUBMITTED BY** \_\_\_\_\_  
**JOB NAME** \_\_\_\_\_  
**ARCHITECT** \_\_\_\_\_  
**ENGINEER** \_\_\_\_\_  
**CONTRACTOR** \_\_\_\_\_  
**DATE** \_\_\_\_\_

**DOMINATOR 1050**

**Category I or Category III Appliance**  
 (See Installation and Operation Manual for venting information)

**RBI**® A Division of Mestek, Inc.  
 Westfield, MA 01085  
 (413) 568-9571