

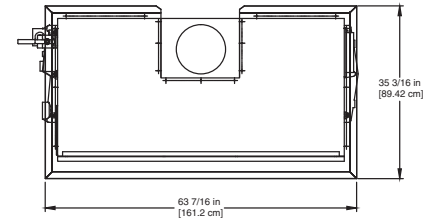
CODE OPTIONS

CSD-1	UTC Lockout/Reset Control Manual Reset LWCO
Kentucky (Water Htr Only)	200°F Maximum Operating Control and High Limit

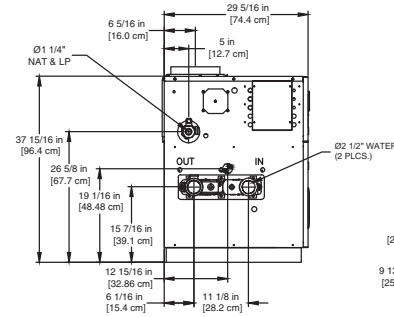
NOTE: Dimensions are approximate and should not be used to "rough-in" equipment.

* Add circulator amps.

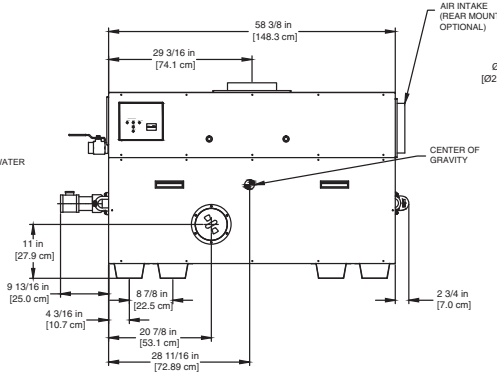
**For incoming gas pressures lower than 6" WC natural or 11" WC propane, consult factory.



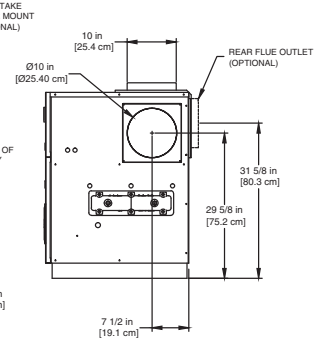
OUTDOOR TOP PANEL



LEFT SIDE



FRONT



RIGHT SIDE

RSUB-19-E

AGA CERTIFIED RATINGS & CAPACITIES

Fuel Type	Natural/Propane Gas	Boiler FLA	11.0*
Input BTU/hr.	1,050,000 / 308 kW	Min. Gas Pressure Required	6" WC**
Output BTU/hr.	861,000 / 252 kW	Max. Gas Pressure Allowed	14" WC
Electrical Requirements	120VAC/ 1 ph/ 60 hz/ 14 amp	Operating Weight	752 lbs. / 341 kg.

TEMPERATURE RISE / PRESSURE DROP

20°F / 11.1°C		25°F / 13.9°C		30°F / 16.7°C		35°F / 19.4°C									
Flow Rate	Pressure Drop	Flow Rate	Pressure Drop	Flow Rate	Pressure Drop	Flow Rate	Pressure Drop								
GPM	L/s	Ft	kPa	GPM	L/s	Ft	kPa	GPM	L/s	Ft	kPa	GPM	L/s	Ft	kPa
86.1	5.4	5.16	15.2	68.9	4.3	3.41	10.1	57.4	3.6	2.44	7.2	49.2	3.1	1.83	5.4

BOILER TRIM & CONTROLS

Main Gas Valve	Honeywell V8944B 1-1/4"	Pilot Valve	Honeywell VR8205Q
Firing Valve	Honeywell B200T1041 1-1/4"	Air Switch	Cleveland RSS-495
Safety Valve	Honeywell V48A 1-1/4"	Blower Motor	1/4 hp - FLA 10.2
Ignition Control	UTC 1003-61A	Relief Valve - LW	3/4" x 3/4" set @ 125 psi
Operating Control (LB/LW)	Jumo	Relief Valve - LB	3/4" x 3/4" set @ 50 psi
High Limit (LB/LW)	Jumo	Flow Switch	TACO IFS-1

RECOVERY CAPACITY

40°F	22°C	60°F	33°C	80°F	44°C	100°F	56°C	120°F	67°C	140°F	78°C
2584	9782	1723	6521	1292	4891	1034	3913	861	3261	738	2795

ASME

ASME Sect IV Htg Surface	88.1 Sq. Ft. / 8.18 Sq. M.	Design Data	Max. 160 psig & 250 °F
Water Volume	2.06 gal / 7.8 l (liters)		

REP FIRM _____
SUBMITTED BY _____
JOB NAME _____
ARCHITECT _____
ENGINEER _____
CONTRACTOR _____
DATE _____

LCD 1050

Category I or Category III Appliance
(See Installation and Operation Manual for venting information)



A Division of Mestek, Inc.
Westfield, MA 01085
(413) 568-9571