

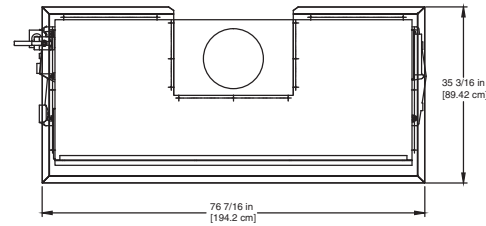
CODE OPTIONS

CSD-1	UTC Lockout/Reset Control Manual Reset LWCO
Kentucky (Water Htr Only)	200°F Maximum Operating Control and High Limit

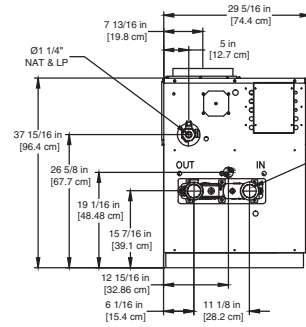
NOTE: Dimensions are approximate and should not be used to "rough-in" equipment.

* Add circulator amps.

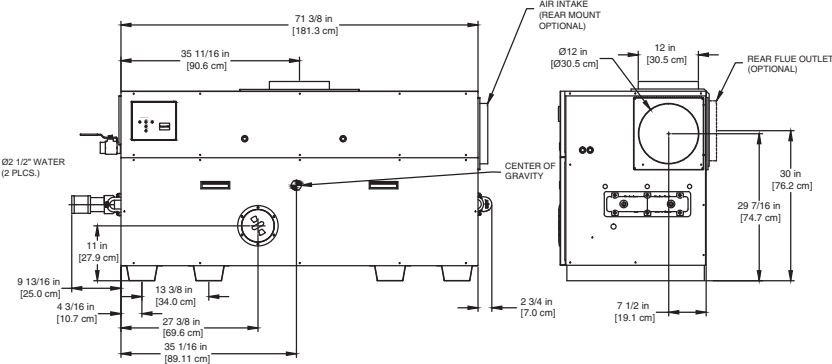
**For incoming gas pressures lower than 6" WC natural or 11" WC propane, consult factory.



OUTDOOR TOP PANEL



LEFT SIDE



FRONT

RIGHT SIDE

RSUB-20-E

AGA CERTIFIED RATINGS & CAPACITIES

Fuel Type	Natural/Propane Gas	Boiler FLA	11.0*
Input BTU/hr.	1,200,000 / 352 kW	Min. Gas Pressure Required	6" WC**
Output BTU/hr.	984,000 / 288 kW	Max. Gas Pressure Allowed	14" WC
Electrical Requirements	120VAC / 1 ph / 60 hz / 14 amp	Operating Weight	781 lbs. / 354 kg.

TEMPERATURE RISE / PRESSURE DROP

20°F / 11.1°C				25°F / 13.9°C				30°F / 16.7°C				35°F / 19.4°C			
Flow Rate		Pressure Drop		Flow Rate		Pressure Drop		Flow Rate		Pressure Drop		Flow Rate		Pressure Drop	
GPM	L/s	Ft	kPa	GPM	L/s	Ft	kPa	GPM	L/s	Ft	kPa	GPM	L/s	Ft	kPa
98.4*	6.2	8.14	24.0	78.7	5.0	5.38	15.9	65.6	4.1	3.84	11.3	56.2	3.5	2.89	8.5

*Flow exceeds recommended maximum use a greater temperature rise or consult manufacturer. Cupro-Nickel heat exchanger should be considered.

BOILER TRIM & CONTROLS

Main Gas Valve	Honeywell V8944B 1-1/4"	Pilot Valve	Honeywell VR8205Q
Firing Valve	Honeywell B200T1041 1-1/4"	Air Switch	Cleveland RSS-495
Safety Valve	Honeywell V48A 1-1/4"	Blower Motor	(2) 1/4 hp - FLA 10.2
Ignition Control	UTC 1003-61A	Relief Valve - LW	3/4" x 3/4" set @ 125 psi
Operating Control (LB/LW)	Jumo	Relief Valve - LB	1" x 1-1/4" set @ 50 psi
High Limit (LB/LW)	Jumo	Flow Switch	TACO IFS-1

ASME

ASME Sect IV Htg Surface	109.7 Sq. Ft. / 10.19 Sq. M.	Design Data	Max. 160 psig & 250 °F
Water Volume	2.33 gal / 8.8 l (liters)		

RECOVERY CAPACITY

40°F	22°C	60°F	33°C	80°F	44°C	100°F	56°C	120°F	67°C	140°F	78°C
2953	11179	1969	7453	1477	5590	1181	4472	984	3726	844	3194

REP FIRM _____
 SUBMITTED BY _____
 JOB NAME _____
 ARCHITECT _____
 ENGINEER _____
 CONTRACTOR _____
 DATE _____

LCD 1200

Category I or Category III Appliance
 (See Installation and Operation Manual for venting information)

RBI® A Division of Mestek, Inc.
 Westfield, MA 01085
 (413) 568-9571