

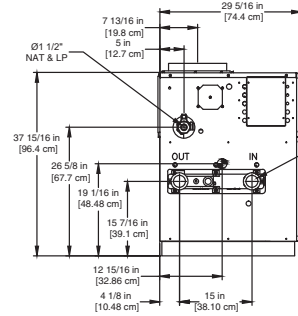
## CODE OPTIONS

|                                     |   |
|-------------------------------------|---|
| <b>CSD-1</b>                        | UTC Lockout/Reset Control<br>Manual Reset LWCO    |
| <b>Kentucky</b><br>(Water Htr Only) | 200°F Maximum Operating Control<br>and High Limit |

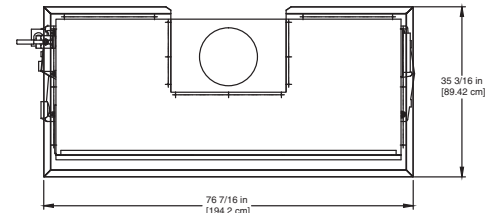
**NOTE:** Dimensions are approximate and should not be used to "rough-in" equipment.

\* Add circulator amps.

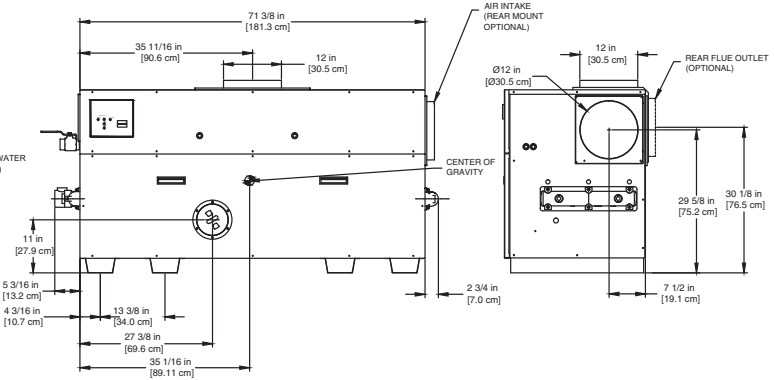
\*\*For incoming gas pressures lower than 6" WC natural or 11" WC propane, consult factory.



LEFT SIDE



OUTDOOR TOP PANEL



FRONT

RIGHT SIDE

RSUB-21-E

## AGA CERTIFIED RATINGS & CAPACITIES

|                                |                             |                                   |                    |
|--------------------------------|-----------------------------|-----------------------------------|--------------------|
| <b>Fuel Type</b>               | Natural/Propane Gas         | <b>Boiler FLA</b>                 | 11.0*              |
| <b>Input BTU/hr.</b>           | 1,480,000 / 434 kW          | <b>Min. Gas Pressure Required</b> | 6" WC**            |
| <b>Output BTU/hr.</b>          | 1,213,600 / 356 kW          | <b>Max. Gas Pressure Allowed</b>  | 14" WC             |
| <b>Electrical Requirements</b> | 120VAC/ 1 ph/ 60 hz/ 14 amp | <b>Operating Weight</b>           | 830 lbs. / 377 kg. |

## TEMPERATURE RISE / PRESSURE DROP

| 20°F / 11.1°C |     | 25°F / 13.9°C |      |           |     | 30°F / 16.7°C |      |           |     | 35°F / 19.4°C |      |           |     |               |     |
|---------------|-----|---------------|------|-----------|-----|---------------|------|-----------|-----|---------------|------|-----------|-----|---------------|-----|
| Flow Rate     |     | Pressure Drop |      | Flow Rate |     | Pressure Drop |      | Flow Rate |     | Pressure Drop |      | Flow Rate |     | Pressure Drop |     |
| GPM           | L/s | Ft            | kPa  | GPM       | L/s | Ft            | kPa  | GPM       | L/s | Ft            | kPa  | GPM       | L/s | Ft            | kPa |
| 121.4*        | 7.7 | 7.94          | 23.4 | 97.1      | 6.1 | 5.25          | 15.5 | 80.9      | 5.1 | 3.75          | 11.0 | 69.3      | 4.4 | 2.82          | 8.3 |

\*Flow exceeds recommended maximum use a greater temperature rise or consult manufacturer. Cupro-Nickel heat exchanger should be considered.

## BOILER TRIM & CONTROLS

|                                  |                            |                          |                           |
|----------------------------------|----------------------------|--------------------------|---------------------------|
| <b>Main Gas Valve</b>            | Honeywell V8944B 1-1/2"    | <b>Pilot Valve</b>       | Honeywell VR8205Q         |
| <b>Firing Valve</b>              | Honeywell B200T1058 1-1/2" | <b>Air Switch</b>        | Cleveland RSS-495         |
| <b>Safety Valve</b>              | Honeywell V48A 1-1/2"      | <b>Blower Motor</b>      | (2) 1/4 hp - FLA 10.2     |
| <b>Ignition Control</b>          | UTC 1003-61A               | <b>Relief Valve - LW</b> | 3/4" x 3/4" set @ 125 psi |
| <b>Operating Control (LB/LW)</b> | Jumo                       | <b>Relief Valve - LB</b> | 1" x 1-1/4" set @ 50 psi  |
| <b>High Limit (LB/LW)</b>        | Jumo                       | <b>Flow Switch</b>       | TACO IFS-1                |

## ASME

|                                 |                            |                    |                       |
|---------------------------------|----------------------------|--------------------|-----------------------|
| <b>ASME Sect IV Htg Surface</b> | 137 Sq. Ft. / 12.73 Sq. M. | <b>Design Data</b> | Max. 160 psig & 250°F |
| <b>Water Volume</b>             | 4.80 gal / 18.2 l (liters) |                    |                       |

## RECOVERY CAPACITY

| 40°F | 22°C  | 60°F | 33°C | 80°F | 44°C | 100°F | 56°C | 120°F | 67°C | 140°F | 78°C |
|------|-------|------|------|------|------|-------|------|-------|------|-------|------|
| 3642 | 13787 | 2428 | 9192 | 1821 | 6894 | 1457  | 5515 | 1214  | 4596 | 1041  | 3939 |

REP FIRM \_\_\_\_\_  
 SUBMITTED BY \_\_\_\_\_  
 JOB NAME \_\_\_\_\_  
 ARCHITECT \_\_\_\_\_  
 ENGINEER \_\_\_\_\_  
 CONTRACTOR \_\_\_\_\_  
 DATE \_\_\_\_\_

# LCD 1480

**Category I or Category III Appliance**  
 (See Installation and Operation Manual for venting information)



® A Division of Mestek, Inc.  
 Westfield, MA 01085  
 (413) 568-9571