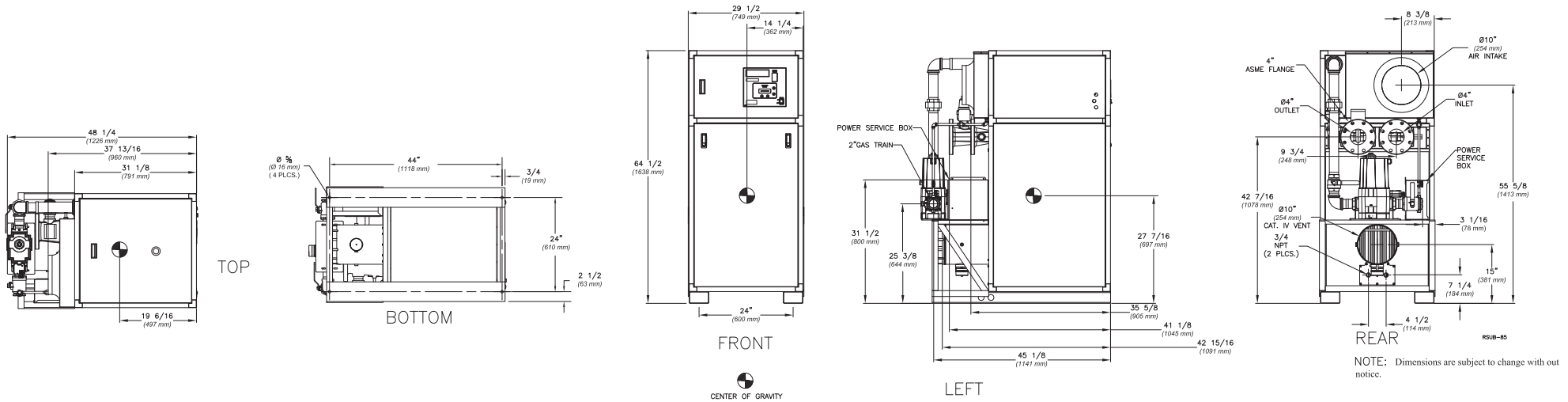


**NOTE:** Dimensions are approximate and should not be used to "rough-in" equipment.

\* Add circulator amps.

\*\*For incoming gas pressures lower than 3.5" W.C. natural, consult factory.



**A.G.A. CERTIFIED RATINGS & CAPACITIES**

<b>Fuel Type</b>	Natural	<b>Boiler FLA</b>	17*
<b>Input BTU/hr.</b>	3,500,000 / 1026 kW	<b>Min. Gas Pressure Required</b>	3.5" W.C.**
<b>Output BTU/hr.</b>	3,045,000 / 892 kW	<b>Max. Gas Pressure Allowed</b>	14" W.C.
<b>Electrical Requirements</b>	230VAC/ 1ph/ 60 Hz	<b>Operating Weight</b>	1215 lbs. / 552 kgs

**TEMPERATURE RISE / PRESSURE DROP**

20° F / 11.1° C		25° F / 13.9° C		30° F / 16.7° C		35° F / 19.4° C									
Flow Rate	Pressure Drop	Flow Rate	Pressure Drop	Flow Rate	Pressure Drop	Flow Rate	Pressure Drop								
GPM	L/s	Ft	kPa	GPM	L/s	Ft	kPa	GPM	L/s	Ft	kPa				
304.5*	19.2	20.26	59.7	243.6	15.4	13.40	39.5	203.0	12.8	9.56	28.2	174.0	11.0	7.19	21.2

\*Flow exceeds recommended maximum use a greater temperature rise or consult manufacturer. Cupro-nickel heat exchanger should be considered.

**BOILER TRIM & CONTROLS**

<b>Main Gas Valve Body</b>	Dungs MBC 4000	<b>High Limit (Manual Reset)</b>	Jumo
<b>Firing Valve</b>	Honeywell B200T1066 2"	<b>High Limit (Auto Reset)</b>	Jumo
<b>Main Ball Valve</b>	2"	<b>Blocked Flue Switch</b>	HUBA
<b>Manual Pilot Valve</b>	1/4" Honeywell B528	<b>Air Switch</b>	HUBA
<b>Solenoid Valve w/Reg</b>	CV100	<b>Blower Motor</b>	American Fan 3 HP - FLA 8
<b>Ignition Control</b>	Honeywell RM7800	<b>Relief Valve - MB</b>	1 1/4" x 1 1/2" set @ 50 psi
<b>Operating Control</b>	HeatNet™	<b>Relief Valve - MW</b>	3/4" x 1" set @ 125 psi
		<b>Flow Switch</b>	ITT FS251

**A.S.M.E.**

<b>ASME Sect IV Htg Surface</b>	377.0 Sq Ft / 35.02 Sq M	<b>Design Data</b>	Max. 160 psig & 250° F
<b>Water Volume</b>	13.4 gal / 50.72 l (liters)		

**RECOVERY CAPACITY**

40°F	22° C	60°F	33° C	80°F	44° C	100°F	56° C	120°F	67° C	140°F	78° C
9,139	34,594	6,092	23,062	4,569	17,297	3,655	13,837	3,046	11,531	2,611	9,884

<b>REP FIRM</b>	_____	<h1 style="margin: 0;">FUTERA XLF 3500</h1> <p style="margin: 0;"><b>Category II or Category IV Appliance</b> (see Installation and Operation Manual for venting information)</p>
<b>SUBMITTED BY</b>	_____	
<b>JOB NAME</b>	_____	
<b>ARCHITECT</b>	_____	
<b>ENGINEER</b>	_____	
<b>CONTRACTOR</b>	_____	
<b>DATE</b>	_____	<p style="margin: 0;">® A Division of Mestek, Inc. Westfield, MA 01085 (413) 568-9571</p>