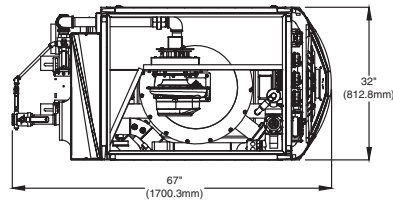
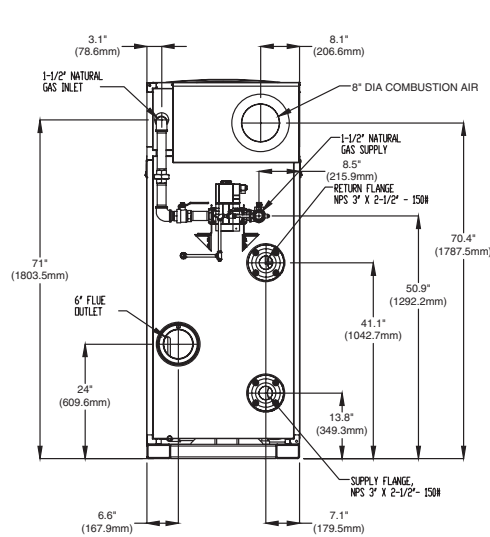


## CODE OPTIONS

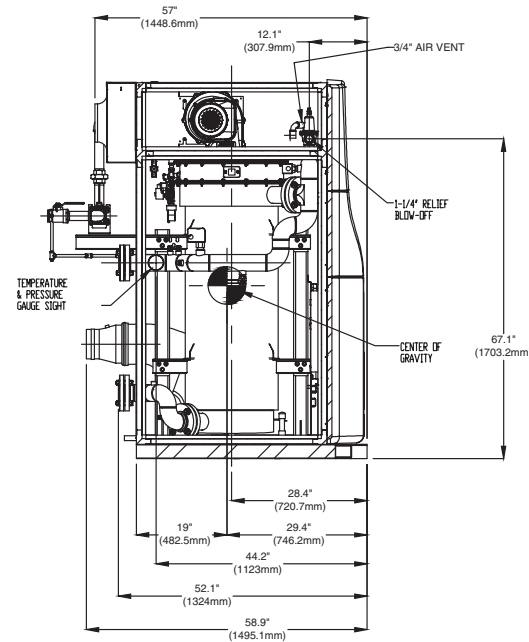
<b>CSD-1</b>	STANDARD
--------------	----------



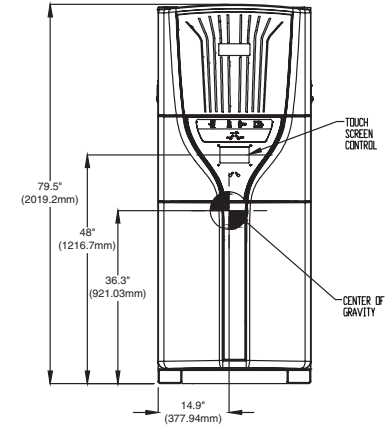
TOP



BACK



LEFT SIDE



FRONT

### Notes:

1. Dimensions are approximate and should not be used to "rough-in" equipment.
2. Dimensions are subject to change without notice.

## BOILER CERTIFIED RATINGS & CAPACITIES

<b>Fuel Type</b>	Natural Gas	<b>Boiler FLA</b>	9.0*
<b>Input BTU/hr.</b>	1,500,000 MBH / 440 KW	<b>Boiler HP</b>	42.6
<b>Output BTU/hr.</b>	1,426,500 MBH / 418 KW	<b>Min. Gas Pressure Required</b>	3" W.C.
<b>Electrical Requirements</b>	208/230 VAC 60 hz/1PH (with neutral)	<b>Max. Gas Pressure Allowed</b>	14" W.C.
		<b>Operating Weight</b>	1500 lbs. / 680 kg.

## BOILER TRIM & CONTROLS

<b>Main Gas Valve</b>	Dungs MBC	<b>Air Switch</b>	Huba
<b>Firing Valve</b>	1 1/2" Apollo	<b>Flow Switch</b>	ITT FS251
<b>Ignition Control</b>	Honeywell RM7895C	<b>Blocked Flue Switch</b>	Cleveland NS2
<b>Operating Control</b>	HeatNet®	<b>Blower Motor</b>	Ametek
<b>High Limit</b>	Honeywell L4006E	<b>L.W.C.O.</b>	750P-MT-120
<b>Main Ball Valve</b>	1 1/2" Apollo	<b>Relief Valve</b>	1-1/4" x 1-1/4" set @ 50 psi
<b>Pilot Cock</b>	1/4" Conbraco	<b>Pilot Regulator</b>	CV100

## A.S.M.E.

<b>ASME Sect IV Fire Side</b>	124 Sq. Ft. / 11.5 Sq. M.	<b>Design Data</b>	Max. 160 psig & 210°F
<b>Htg Surface</b>		<b>Water Volume</b>	40 gal. / 151 Liters
<b>ASME Sect IV Water Side</b>	132 Sq. Ft. / 12.3 Sq. M.		
<b>Htg Surface</b>			
<b>CV. GPM (1PSID)</b>	85		

\* Add circulator amps.

## BOILER TEMPERATURE RISE / PRESSURE DROP (Based on Full Input)

20°F / 11.1°C		40°F / 22.2°C		60°F / 33.3°C		80°F / 44.4°C		100°F / 55.5°C											
Flow Rate	Pressure Drop	Flow Rate	Pressure Drop	Flow Rate	Pressure Drop	Flow Rate	Pressure Drop	Flow Rate	Pressure Drop										
GPM	L/s	Ft	kPa	GPM	L/s	Ft	kPa	GPM	L/s	Ft	kPa	GPM	L/s	Ft	kPa	GPM	L/s	Ft	kPa
142.7	9.00	6.5	19.43	71.4	4.50	1.6	4.87	47.6	3.00	.7	2.15	35.7	2.25	.4	1.22	28.5	1.79	.3	.78

Flow GPM		Temp. Rise** (°F)		Vent Length (Equiv. Ft.)		Air Inlet Length (Equiv. Ft.)	
Min	Max	Min	Max	Min	Max	Min	Max
28.5	142.7	20	100	6	100	0	100

\*\* Min/Max delta t reflects boiler operation at full input. For applications requiring operation above/below these parameters please consult factory.

**REP FIRM** \_\_\_\_\_  
**SUBMITTED BY** \_\_\_\_\_  
**JOB NAME** \_\_\_\_\_  
**ARCHITECT** \_\_\_\_\_  
**ENGINEER** \_\_\_\_\_  
**CONTRACTOR** \_\_\_\_\_  
**DATE** \_\_\_\_\_

# FlexCore 1500

**Category II or Category IV Appliance**  
(see Installation and Operation Manual for venting information)



A Division of Mestek, Inc.  
Westfield, MA 01085  
(413) 568-9571