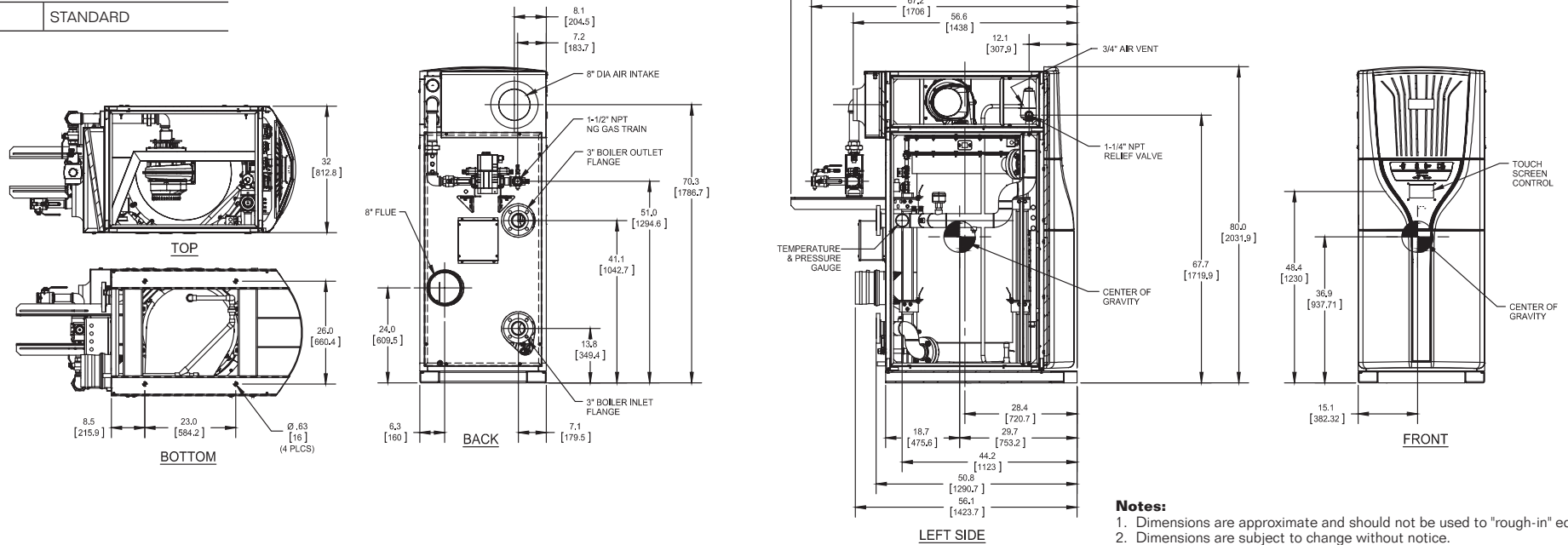


CODE OPTIONS

CSD-1	STANDARD
--------------	----------



Notes:

1. Dimensions are approximate and should not be used to "rough-in" equipment.
2. Dimensions are subject to change without notice.
3. All dimensions are in inches (mm).

BOILER CERTIFIED RATINGS & CAPACITIES

Fuel Type	Natural Gas	Boiler FLA	10.3*
Input BTU/hr.	2,500,000 / 733 KW	Boiler HP	71.6
Output BTU/hr.	2,397,500 / 703 KW	Min. Gas Pressure Required	3" W.C.
Electrical Requirements	230 VAC/60 hz/3PH (with neutral)	Max. Gas Pressure Allowed	14" W.C.
		Operating Weight	2340 lbs. / 1061 kg.

BOILER TRIM & CONTROLS

Main Gas Valve	Dungs MBC	Air Switch	Huba
Firing Valve	1 1/2" Apollo	Flow Switch	ITT FS8W
Ignition Control	Honeywell RM7895C	Blocked Flue Switch	Cleveland NS2
Operating Control	HeatNet®	Blower Motor	Ametek
High Limit	Jumo	L.W.C.O.	800
Main Ball Valve	1 1/2" Apollo	Relief Valve	1-1/4" x 1-1/4" set @ 50 psi
Pilot Cock	1/4"	Pilot Regulator	White-Rodgers

A.S.M.E.

ASME Sect IV Fire Side	202 Sq. Ft. / 18.8 Sq. M.	Design Data	Max. 160 psig & 210°F
Htg Surface		Water Volume	58 gal / 219 liters
ASME Sect IV Water Side	211 Sq. Ft. / 19.6 Sq. M.		
Htg Surface			
CV. GPM (1PSID)	100		

* Add circulator amps.

BOILER TEMPERATURE RISE / PRESSURE DROP (Based on Full Input)

20°F / 11.1°C		40°F / 22.2°C		60°F / 33.3°C		80°F / 44.4°C		100°F / 55.5°C											
Flow Rate	Pressure Drop	Flow Rate	Pressure Drop	Flow Rate	Pressure Drop	Flow Rate	Pressure Drop	Flow Rate	Pressure Drop										
GPM	L/s	Ft	kPa	GPM	L/s	Ft	kPa	GPM	L/s	Ft	kPa	GPM	L/s	Ft	kPa	GPM	L/s	Ft	kPa
239.8	15.1	13.3	39.7	119.9	7.6	3.3	9.9	79.9	5.0	1.5	4.4	60.0	3.8	0.8	2.5	48.0	3.0	0.5	1.6

Flow GPM		Temp. Rise** (°F)		Vent Length (Equiv. Ft.)		Air Inlet Length (Equiv. Ft.)	
Min	Max	Min	Max	Min	Max	Min	Max
48	239.8	20	100	6	100	0	100

** Min/Max delta t reflects boiler operation at full input. For applications requiring operation above/below these parameters please consult factory.

REP FIRM _____
SUBMITTED BY _____
JOB NAME _____
ARCHITECT _____
ENGINEER _____
CONTRACTOR _____
DATE _____

FlexCore 2500

Category II or Category IV Appliance
(see Installation and Operation Manual for venting information)



A Division of Mestek, Inc.
Westfield, MA 01085
(413) 568-9571