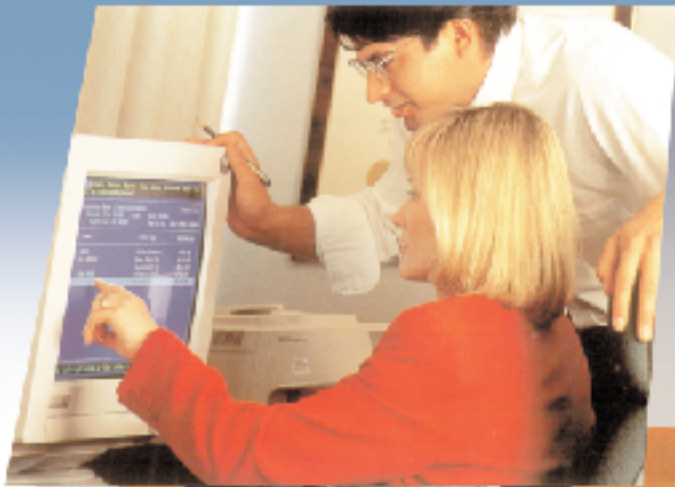




DESIGN, ENGINEERING & ASSOCIATED MANUFACTURING COMPANY

“solutions thru imagination”





More than 500 fully automated systems manufactured by DEAMCO are in operation throughout the world.

deamco's capabilities

DEAMCO

is comprised of an integrated team of highly competent technical professionals who devote all of their time and efforts to the development, design, manufacturing and sale on an international scope, complete automated equipment, customized systems for the production requirements of free and semi-free bulk material handling process.

When your requirements are submitted to DEAMCO, you immediately have the benefit of global expertise gained by DEAMCO from the design and construction of many similar projects.

DEAMCO'S organization is unique in that it offers the benefit of its specialized experience gained over many years and supports its recommendations with modern, up to date equipment to accommodate your requirements efficiently and economically.

CONSULTATION

DEAMCO'S experienced engineers determine your requirements. They investigate the parameters of the project, product type, production rates, industrial engineering interface, and economic feasibility.

PRODUCT TESTING

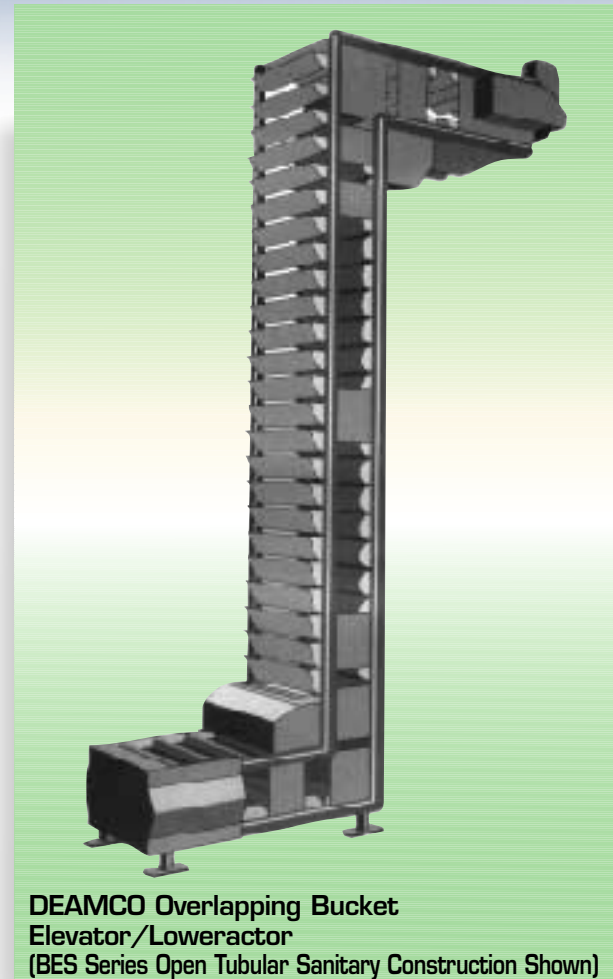
DEAMCO tests new products in its mechanical laboratory for physical and handling characteristics, friability, and degradation.

PROPOSAL

DEAMCO provides you with comprehensive formal proposal, complete with conceptual layouts.

ENGINEERING

Upon receipt of your order, DEAMCO prepares detailed engineering drawings. DEAMCO insures proper interface between units of the system for maximum operating efficiency.



DEAMCO Overlapping Bucket Elevator/Loweractor (BES Series Open Tubular Sanitary Construction Shown)

MANUFACTURING

Your equipment is produced in DEAMCO's fabricating facilities, utilizing skilled personnel, standardized production techniques and stringent quality control procedures. DEAMCO monitors production schedules by computer to insure on-time shipments.

INSTALLATION & SERVICES

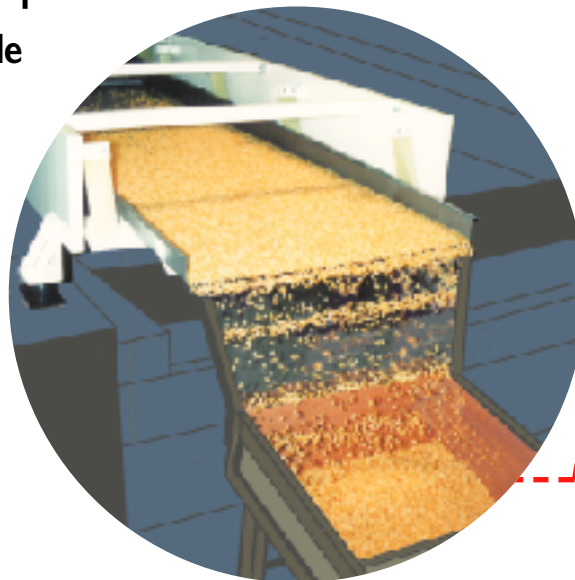
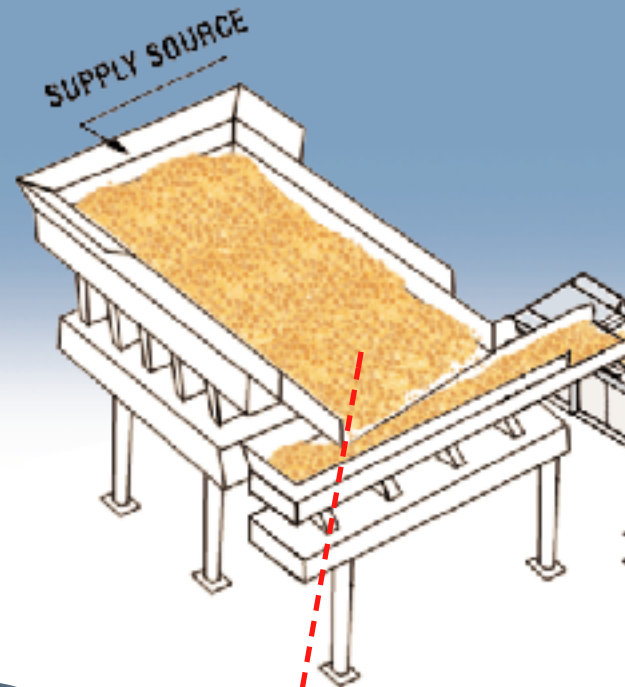
Following project installation, DEAMCO trains operating and maintenance personnel, provides customized manuals, and perform after sales service.



- ▲ World-wide manufacturing plants and sales offices for immediate and expert help in meeting your companies' unique needs.

deamco's advantages

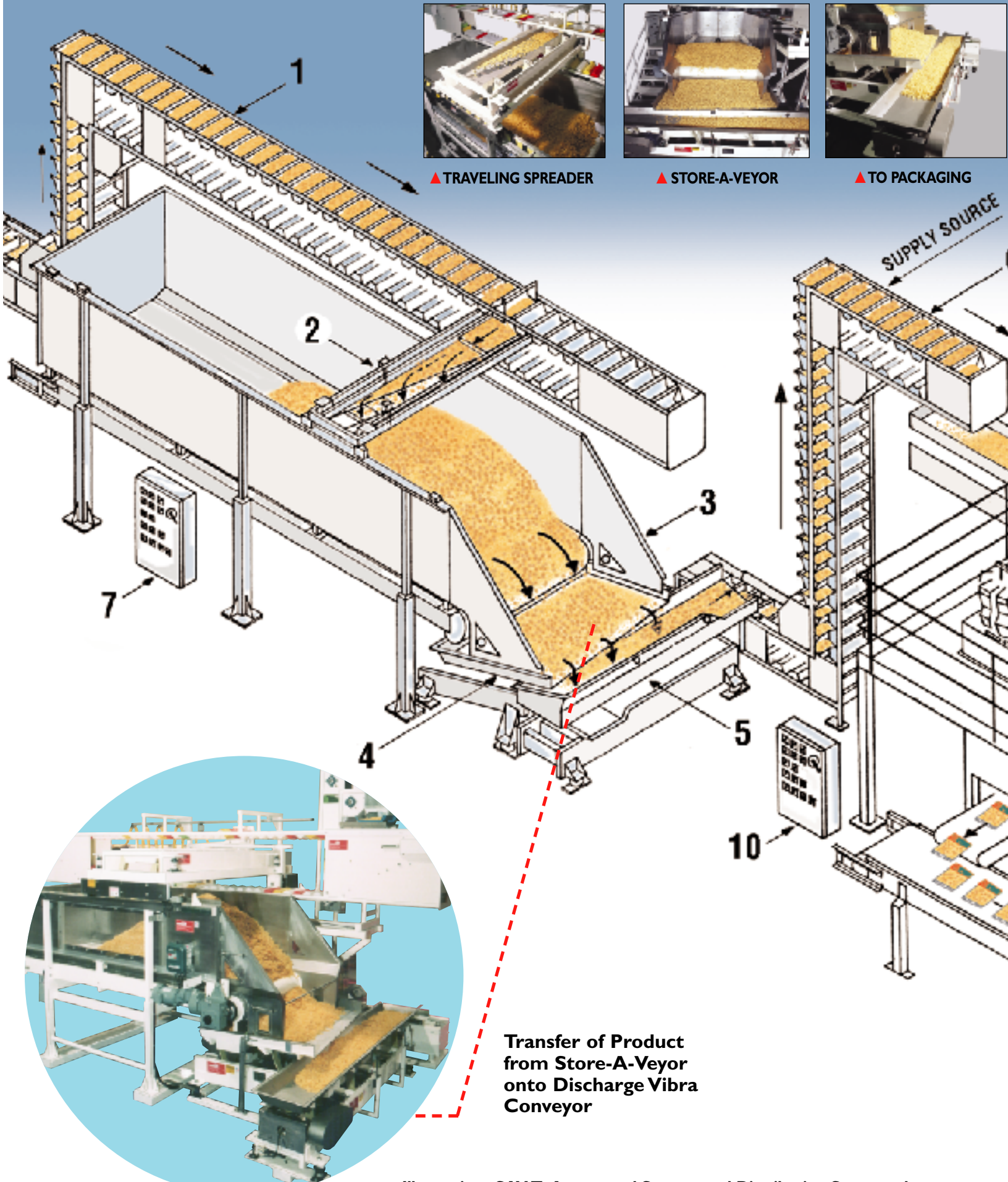
- ▲ Over fifty years of innovative technology and experience that makes automation pay off in increased productivity and profit.
- ▲ Feed systems that can handle your bulk material quickly, reliably, carefully and with uninterrupted flow.



Transfer of Product from
Vibratory Feeder/Conveyor
into Bucket Elevator

- ① DEAMCO LIFT DISTRIBUTOR
- ② VIBRA CONVEYOR SPREADER
- ③ STORE-A-VEYOR
- ④ DISCHARGE VIBRA CONVEYOR
- ⑤ CONTROL VIBRA CONVEYOR
- ⑥ DEAMCO LIFT
- ⑦ TRACE-A-VEYOR SYSTEM CONTROL PANEL
- ⑧ VIBRA-TRAN DISTRIBUTION SYSTEM
- ⑨ VIBRA-TRAN CROSS FEEDERS
- ⑩ VIBRA-TRAN CROSS SYSTEM CONTROL PANEL





▲ TRAVELING SPREADER

▲ STORE-A-VEYOR

▲ TO PACKAGING

Transfer of Product from Store-A-Veyor onto Discharge Vibra Conveyor

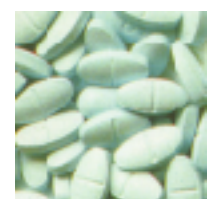
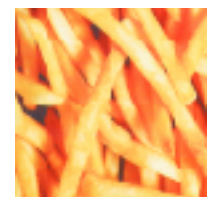
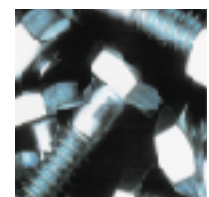
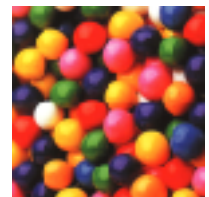
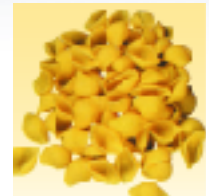
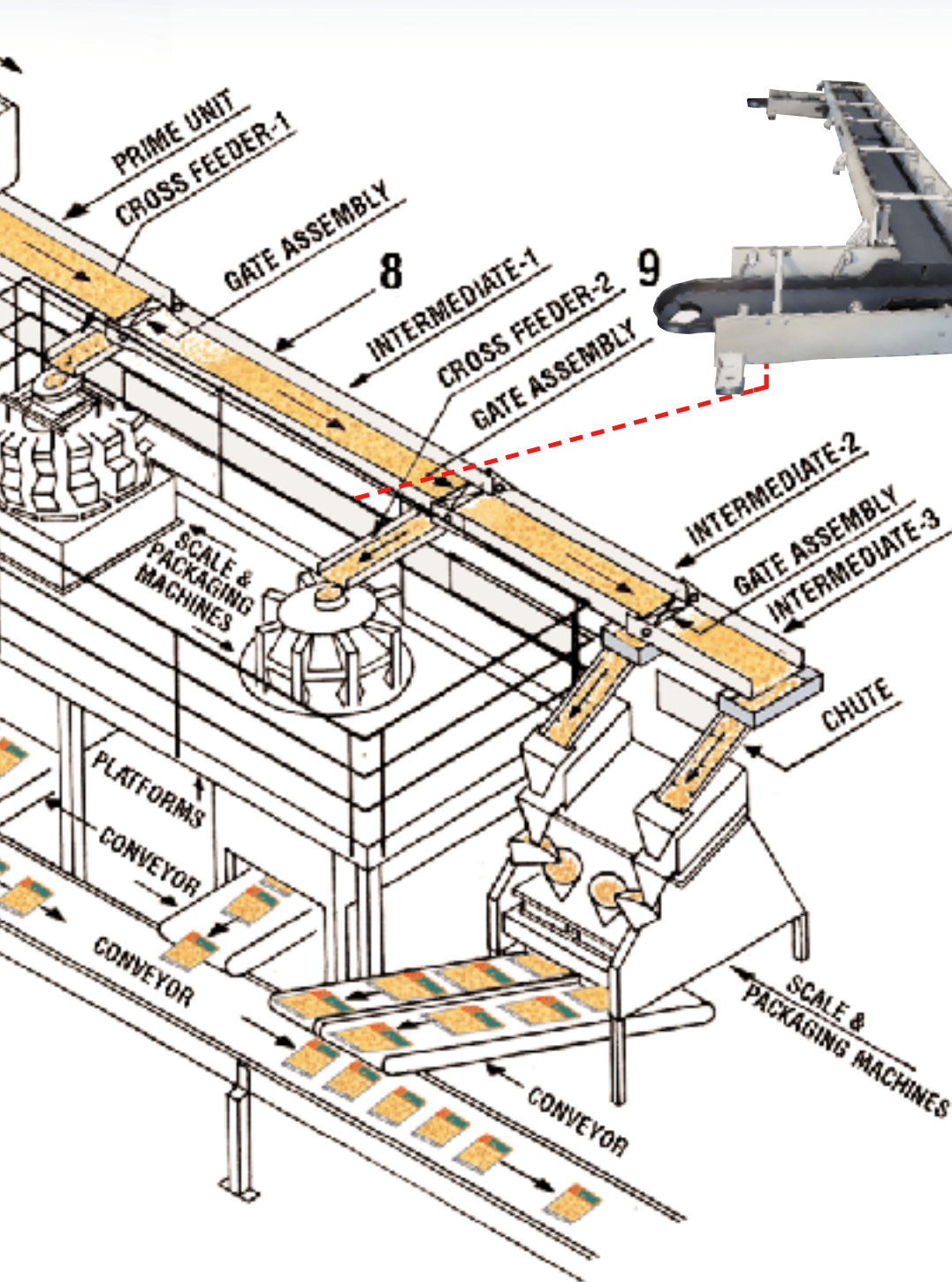
Illustration: SAV-T, Automated Storage and Distribution Systems shown

“The belief that a product – no matter how good and economically made today – can be made better and more economical through automation has brought DEAMCO products and services into eminence.”

users of deamco's products and services

- ▲ Food and Drug Processors
- ▲ Federal, State, Local Governmental and Municipal Agencies
- ▲ Chemicals
- ▲ Military Agencies
- ▲ Hardware
- ▲ Petroleum and others

6





▲ DEAMCO'S anticipates your needs in automated equipment engineering through an on-going research and development effort. This allows DEAMCO to have systems ready for you when required.

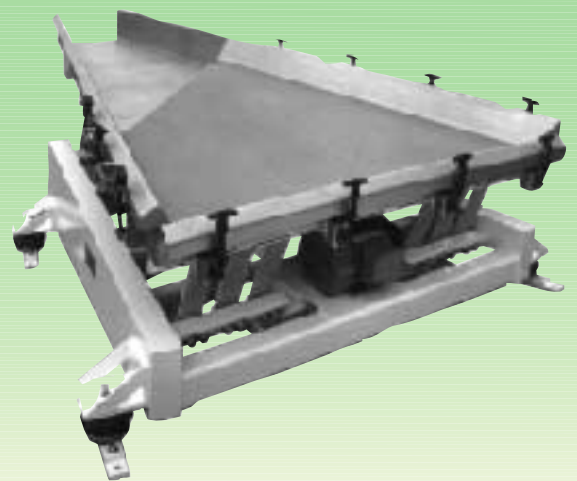
deamco's research and development

CONSTANT RESEARCH AND DEVELOPMENT TO FILL THE GAP BETWEEN PROCESSING AND PACKAGING

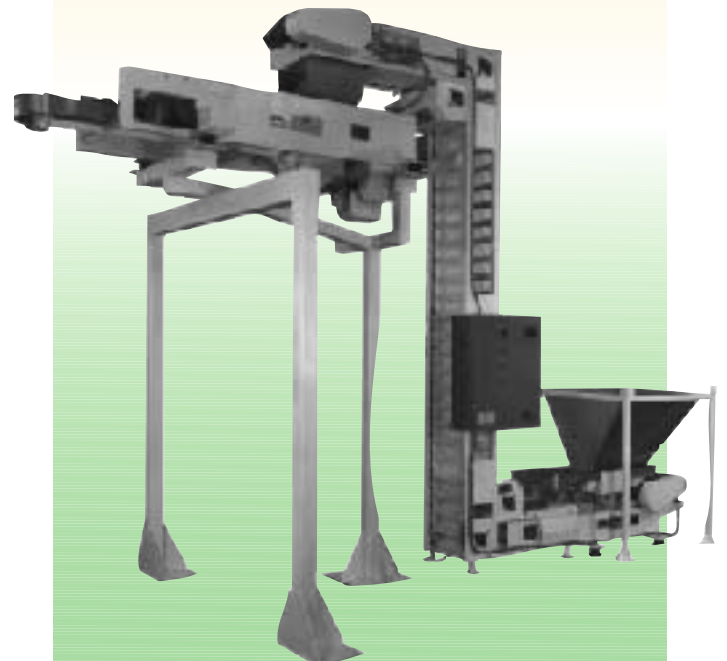


**store-a-veyor
& trace-a-veyor
system**

**THE STORE-A-VEYOR SYSTEM
PROCESSES A VARIETY OF PRODUCTS**



**DEAMCO Vibratory Conveyor/Feeder
with Removable Screen**



**DEAMCO Single Automated Infeed System
to Package Machines**



DEAMCO has furnished a substantial number of various types and sizes of equipment and systems for commercial, industrial and military requirements.

deamco's commitment

THE DEAMCO COMMITMENT

Good people, good business practices and creative engineering are time-tested components of DEAMCO Corporation's success. These elements are reflected in every facet of DEAMCO'S business and represent DEAMCO'S commitment to you.

STATE-OF-THE-ART TECHNOLOGY

Working with both large and small firms, DEAMCO maintains a leading position in the technology of specialized automated systems. DEAMCO'S engineers address your requirements with the most cost-effective solutions. DEAMCO merges its engineering capabilities, depth of experience, and state-of-the-art technology to meet your needs.

QUALITY CONTROL

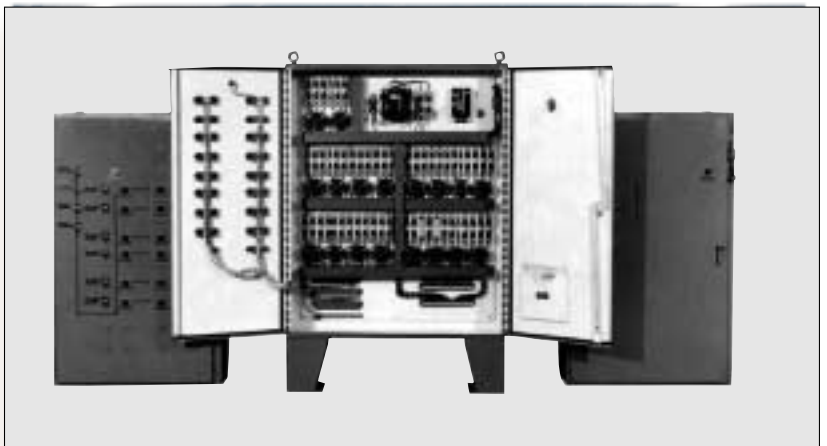
DEAMCO's stringent production control procedures ensure that the manufacturing schedule, purchasing of materials and components, and fabrication cycle meet your delivery requirements. As fabrication proceeds, DEAMCO performs quality assurance checks to meet your specifications.

LIFE-LONG SERVICE

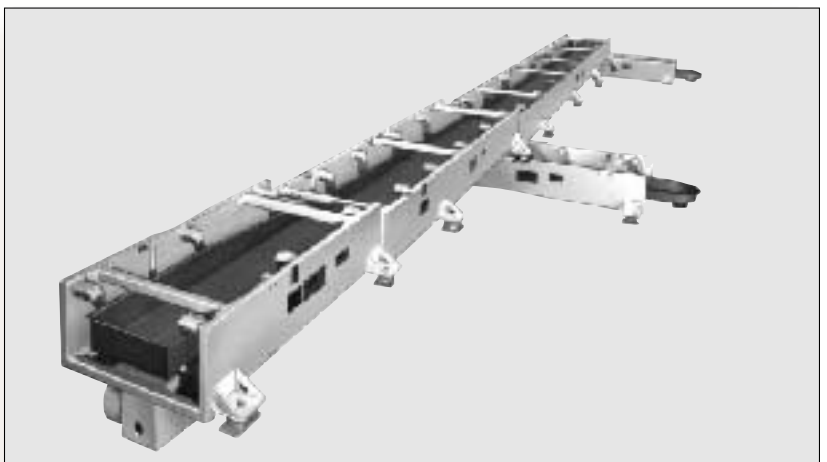
DEAMCO provides maintenance services throughout the life of your system. Using the latest data-retrieval system, we can dispatch service assistance from our offices in the U.S. or abroad. DEAMCO's technical field supervisor assists you in installing your system, starting it up; and training your personnel to operate it and perform on-site maintenance.



DEAMCO Product Dehydrating Process and Store-A-Veyor System



DEAMCO Electrical Control Panel



DEAMCO Vibra-Tran (VT-F and VT-U Series)



When your requirements are submitted to DEAMCO you immediately have the benefit of global expertise by DEAMCO from the design and construction of many similar projects.

INTERNATIONAL:

DEAMCO CORP. LTD.

829 YEOVIL ROAD, TRADING ESTATE, SLOUGH, BERKS, ENGLAND, SL1 4JA
PHONE 01753533513 • FAX 0175353314

STURTON-GILL ENGINEERING

7 HOLLOWAY DRIVE, BAYWATER, VICTORIA, AUSTRALIA, 3153
PHONE 011-61-3-9762-8800 • FAX 011-61-3-9762-8287



DESIGN, ENGINEERING & ASSOCIATED MANUFACTURING COMPANY

6520 EAST WASHINGTON BLVD., CITY OF COMMERCE, CA 90040-1822
PHONE (213) 890-1190 • FAX (213) 890-1139 • (800) 933-2620 • (888) 933-2620
www.deamco.com • email: deamco@deamco.com

