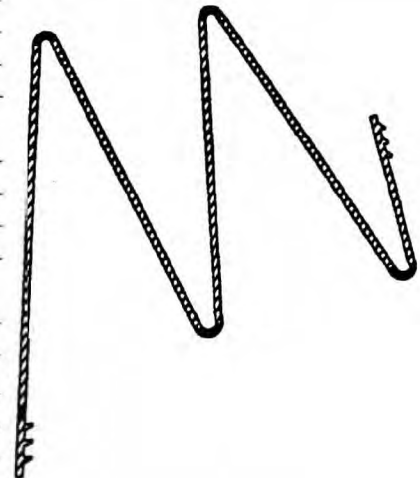


TECHNICAL SPECIFICATIONS *MK1A & MK1B*

FINGERSAFE MK1A – *open hinge protection - Push Side*

	Pleated Guard (a.k.a. fingersafe)
Material:	Rigid PVC with TPE hinges
Manufacture:	Dual Durometer Extrusion
Thickness:	0.04" (typ.)
Panel Widths:	2.3", 1.9", 1.8", 1.8"
2 Retaining Strips:	.98", .34" with retaining serrations
Length:	Stocked in 6'8", 7', 8'
Color:	Stocked in Black, White, Brown, Grey and Almond
Fire Rating:	UL V-0 Rated Rigid PVC (see ratings below)
Durability:	U.V. and High Impact Resistance. Easy cleaning with typical household cleaners.

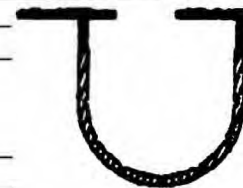


	Retaining Plate (a.k.a. Fixing Strip)
Material:	Rigid PVC
Manufacture:	Extrusion
Overall Width:	2.4" before installation
Length:	Stocked in 6'8", 7', 8'
Color:	Stocked in Black, White, Brown, Grey and Almond
Fire Rating:	UL V-0 Rated Rigid PVC (see ratings below)
Durability:	U.V. and High Impact Resistance. Easy cleaning with typical household cleaners.



FINGERSAFE MK1B – *closed hinge/hinge pin - Pull Side protection*

Material:	Rigid PVC with TPE
Manufacture:	Extrusion
Overall Width:	1.1" depending on installation configuration
Length:	Stocked in 6'8", 7', 8'
Color:	Stocked in Black, White, Brown, Grey and Almond
Fire Rating:	UL V-0 Rated Rigid PVC (see ratings below)
Durability:	U.V. and High Impact Resistance. Easy cleaning with typical household cleaners.



Fingersafe compliances with the following standards:

- NFPA 252
- UL 10B, UL 10C
- ASTM E-152
- CAN4 S-104
- UBC7-2 (1997)

This product has a UL four hour fire rating compliance in any door assembly

**DOOR OPERATION 180° UNIMPEDED
AS TO MK1A AND MK1B**

	Product Identity
	R18518(N)
	Underwriters Laboratories Inc.®
	Miscellaneous Fire Door Assembly Classified 25KL (USA) Listed F (CANADA)

US, Canadian and world-wide patent numbers available upon request

Made in the U.S.A.

Master code format Division: Section 8

PRODUCT OVERVIEW SHEET

FINGERSAFE DOOR SAFETY SYSTEMS

A unique, inconspicuous and easy to install protection system designed to prevent fingers being trapped in opening and closing doors.

Introduction

With some 300,000 reported incidents of amputated, mutilated or damaged fingers in doors per year, Fingersafe is designed specifically to prevent fingers from damaged in the hinged end of doors. Besides the cost in trauma, treatment and disability, the owner or manager of a facility could be held responsible and incur litigation for personal injury. Having identified the need in the market, Fingersafe was developed as the original door hinge guard. Since 1996, Fingersafe has closed the door on injuries in the US.

Applications

Fingersafe is compatible with all types of standard hinged doors including: fire doors, wood, metal, aluminum, YKK type openings and dutch doors. Resistant to UV light, Fingersafe is designed for interior or exterior use. Specific uses include schools and other educational facilities, childcare and healthcare centers, homes for the elderly and infirm as well as residential use. It is commercially specified for restaurants, fast food outlets, as well as government and military buildings.

Compliance

ASTM E 152 - Methods of Fire Tests of Door Assemblies. **NFPA 25** - Standard For The Inspection, Testing, And Maintenance Of Water-Based Fire Protection Systems. **UL 10B** - Fire Tests of Door Assemblies. **UL 10C** - Positive Pressure Fire Tests of Door Assemblies. **CAN4 S-104** - Standard Method for Fire Tests of Door Assemblies. **UBC 7-2** - Fire Tests of Door Assemblies. Complaint for commercial ADA applications.

Description

Fingersafe offers no resistance or restriction to the door operation and allows over 180 degrees of operation. It protects the full length of the door on each side of the hinged end of door. The MK1A is a flexible, accordion shaped fitting designed to actually eject fingers from being trapped or crushed in the "push" side of doors. When the door is closed the fitting is compressed, but when the door is opened the fitting extends and provides a protective covering over the hinged end space. The accordion piece lies flat against the frame when the door is closed for aesthetically pleasing design. MK1A units are installed via a fixing strip which allows easy access to the hinge for maintenance. MK1B is a flexible, curved fitting, positioned on the outward side of the door and fixed to the door frame and the outside edge of the door. When the door is closed the

fitting forms a closed seal over the hinge. When the door is opened this fitting compresses and provides a stiff protective covering to the hinge and the space between door and frame. The MK1C units use the standard Fingersafe module together with a new fixing strip, allowing it to fit bi-fold doors, which are flush to the frames.

Materials and Finishes

Made in the USA. PVC (UL V-O rated) with TPE hinges designed for commercial use.

Dimensions Stock lengths are 80 inches, 84 inches, 96 inches
Appearance Available in White (*default*), Black, Brown, Grey and Almond at no extra cost

Performance

Unlike an inferior finger shield or wrap around device, Fingersafe allows even a fire door to open to 180 degrees and actually ejects the finger before an injury can occur. Fingersafe is aesthetically pleasing: the MK1A lies flat against the frame unobtrusively when the door is closed. It also offers draft exclusion and is a smoke inhibitor. A secondary application is the MK1B as a sight seal or privacy guard, as well as anti ligature device.

Compatibility Fingersafe is compatible with all types of doors except double pivot.

Maintenance Fingersafe is resistant to most household chemicals such as bleach, alcohol and other multi surface disinfectants and may be cleaned with any readily available cleaning products.

Installation Simple to install in minutes. Retrofitted to existing doors using self tapping screws and installation accessories are included.

Availability and Cost

Fingersafe products are stocked in 80", 84", and 96" with a one week turn around. A two year warranty is offered on fair wear and tear, supply only. Samples may be supplied on request to a potential client for evaluation purposes.

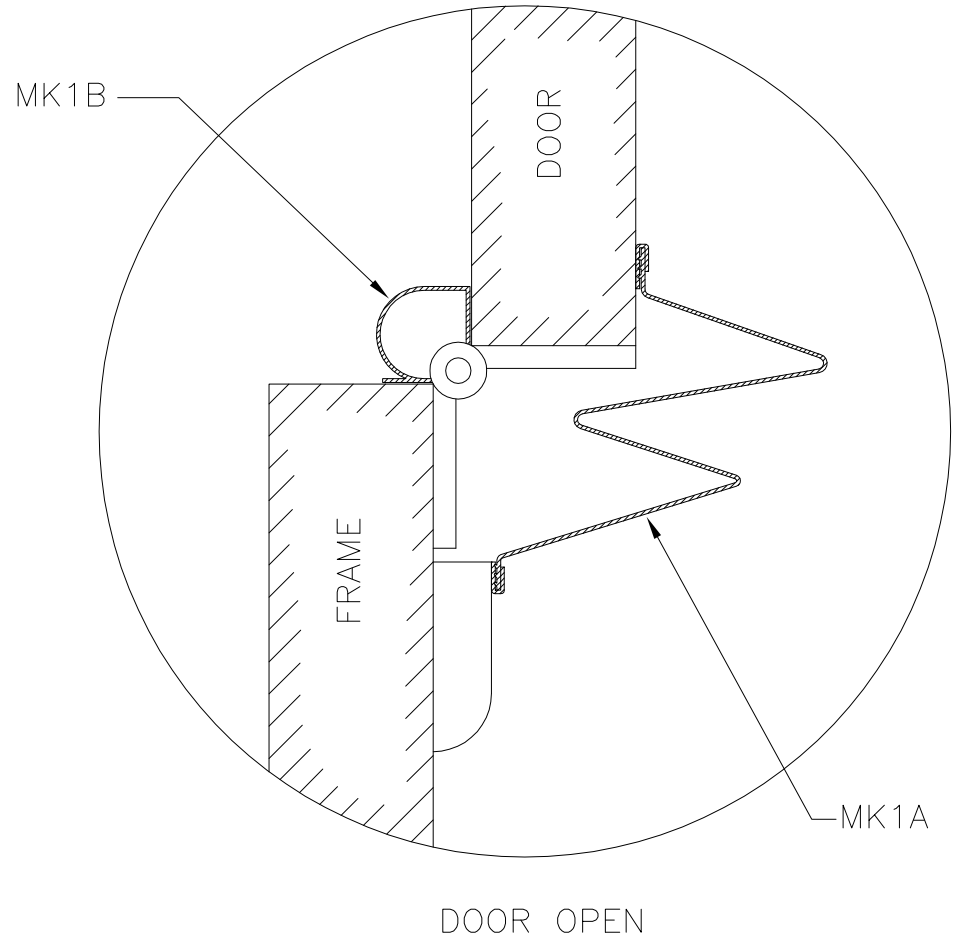
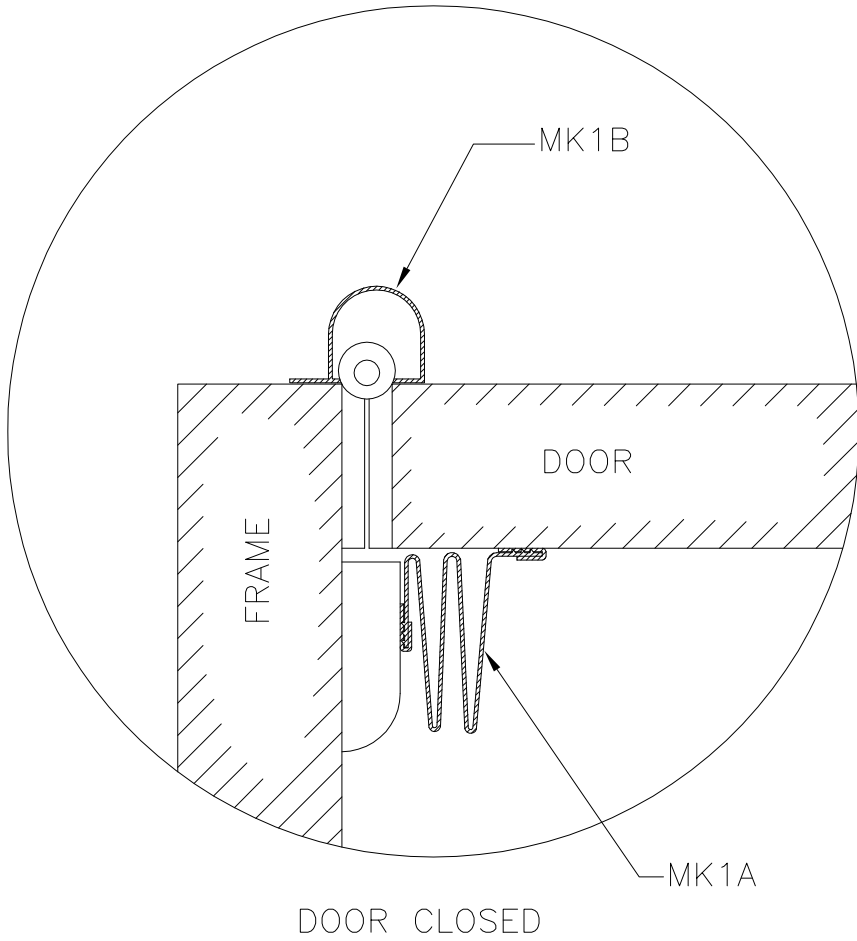


FINGERSAFE USA, INC.
115 West Oglethorpe Ave.
Savannah, GA 31401

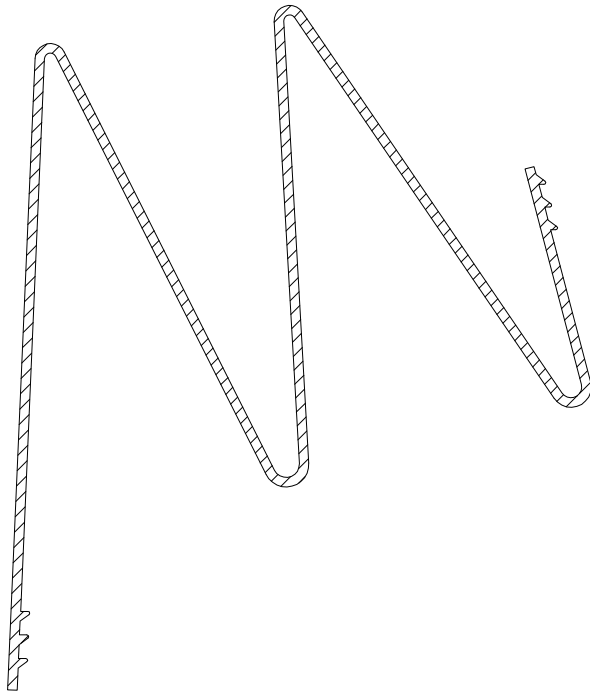
TEL: 912.234.6120
888.FING.SAF

Email: orders@fingersafe.com
Website: www.fingersafeUSA.com

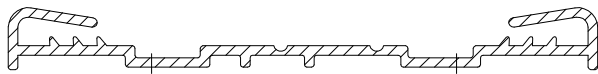
MK1A & MK1B
OVERHEAD VIEW OF INSTALLED FINGERSAFE DOOR HINGE GUARDS



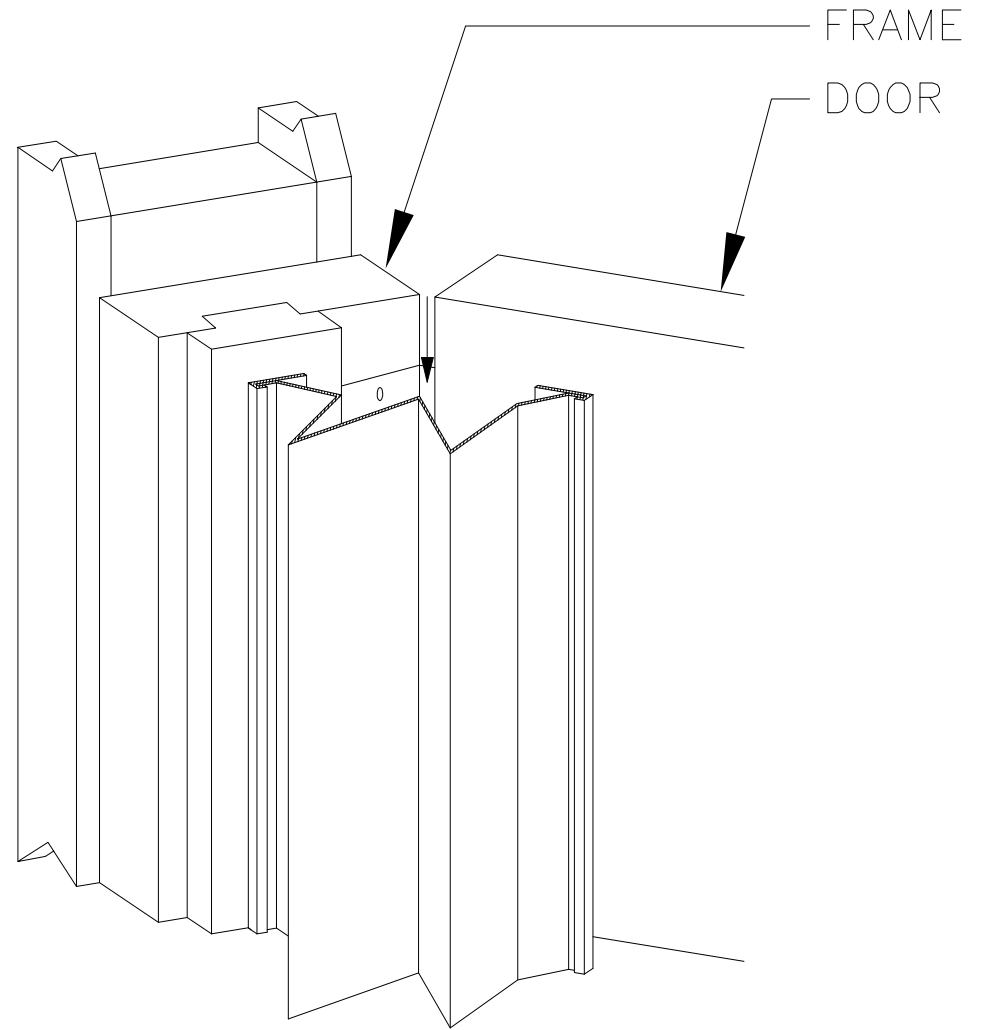
FINGERSAFE MK1A
OPEN HINGE PROTECTION



PLEATED GUARD (a.k.a. ACCORDION)

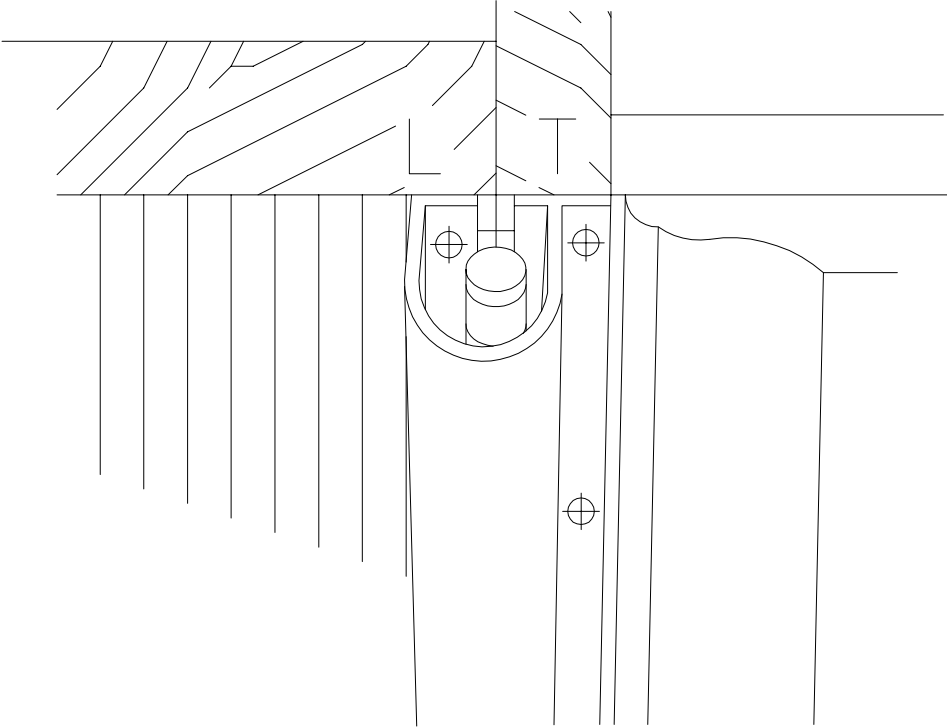
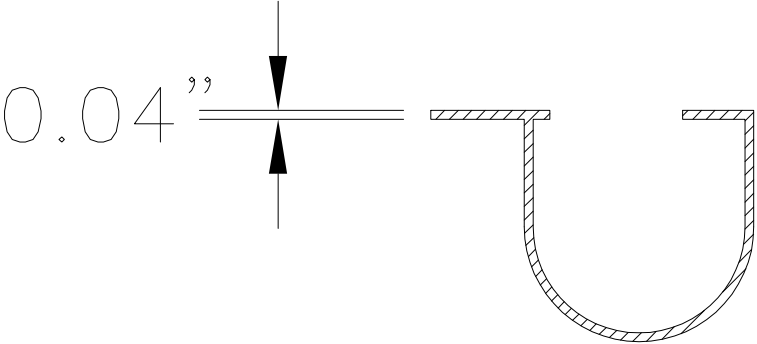


RETAINING PLATE (a.k.a. FIXING STRIP)



ISOMETRIC VIEW

FINGERSAFE MK1B
CLOSED HINGE/HINGE PIN PROTECTION



TYPICAL INSTALLATION

SECTION 08770

DOOR HINGE GUARDS Fingersafe USA, Inc.

PART 1 - GENERAL

1.1 SECTION INCLUDES

- A. Door hinge guards for opening side, hinge pin side, bi-fold and flush fit doors.

1.2 RELATED SECTIONS

- A. 08100 - Metal Doors and Frames.
- B. 08210 - Wood Doors.
- C. 08350 - Folding Doors and Grilles.
- D. 08400 - Entrances and Storefronts.
- E. 08710 - Door Hardware.

1.3 REFERENCES

- A. ASTM International (ASTM): ASTM E 152 - Methods of Fire Tests of Door Assemblies.
- B. National Fire Protection Association (NFPA): NFPA 25 - Standard For The Inspection, Testing, And Maintenance Of Water-Based Fire Protection Systems.
- C. Underwriters Laboratories, Inc. (UL):
 - 1. UL 10B - Fire Tests of Door Assemblies.
 - 2. UL 10C - Positive Pressure Fire Tests of Door Assemblies.
- D. Canadian Standards: CAN4 S-104 - Standard Method for Fire Tests of Door Assemblies
- E. Uniform Building Code (UBC): UBC 7-2 - Fire Tests of Door Assemblies.

1.4 SUBMITTALS

- A. Submit under provisions of Section 01300.
- B. Product Data: Manufacturer's data sheets on each product to be used, including but not limited to:
 - 1. Preparation instructions and recommendations.
 - 2. Storage and handling requirements and recommendations.
 - 3. Installation instructions and mounting requirements.
 - 4. Cleaning methods.

1.5 DELIVERY, STORAGE, AND HANDLING

- A. Deliver, store and handle materials and products in strict compliance with manufacturer's instructions and recommendations and industry standards.

- B. Store materials in manufacturer's original sealed, labeled packaging until ready for installation and in a horizontal position in accordance with manufacturer's instructions. Protect from damage.

1.6 PROJECT CONDITIONS

- A. Maintain environmental conditions (temperature, humidity and ventilation) within limits recommended by manufacturer for optimum results. Do not install products under environmental conditions outside manufacturer's recommended limits.

PART 2 PRODUCTS

2.1 MANUFACTURERS

- A. Acceptable Manufacturer: Fingersafe USA, Inc; P. O. Box 8777; Savannah, GA 31412. ASD. Phone: 912-234-6120. Fax: 912-236-7549. Web Site: www.fingersafe.com.
- B. Substitutions: Not permitted.

2.2 DOOR HINGE GUARDS FOR OPENING SIDE

- A. Door Hinge Guards: Model MK1A for opening side as manufactured by Fingersafe USA, Inc.
 1. Length: Standard, 79.75 inches (2026 mm).
 2. Length: 84 inches (2134 mm).
 3. Length: 96 inches (2438 mm).
 4. Length: As recommended by manufacturer for full length of door from bottom side of frame of frame at top frame at top to bottom of door. Can be cut to size.
 5. Width: 2.4 inches
 6. As scheduled and indicated on drawings
 7. Thickness: .04 inches typical
 8. Construction: High-quality PVC (UL V-O rated) with TPE hinges.
 9. Design: Ejects fingers from the opening hinge end of a door before injury can occur.
 10. Compatibility: Fits wood, aluminum, metal, stainless steel and UPVC doors.
 11. Range of Motion: Allows door to operate in excess of 180 degrees.
 12. Installation Accessories: Screws and fixing strips are included.
 13. Compliance: Approved for use up to any four-hour fire-rated door assembly.
 - a. ASTM E 152 - Methods of Fire Tests of Door Assemblies.
 - b. NFPA` 25 - Standard For The Inspection, Testing, And Maintenance Of Water-Based Fire Protection Systems.
 - c. UL 10B - Fire Tests of Door Assemblies.
 - d. UL 10C - Positive Pressure Fire Tests of Door Assemblies.
 - e. CAN4 S-104 - Standard Method for Fire Tests of Door Assemblies
 - f. UBC 7-2 - Fire Tests of Door Assemblies.
 14. Colors: White.
 15. Colors: Black.
 16. Colors: Grey.
 17. Colors: Brown.
 18. Colors: Almond.

**** NOTE TO SPECIFIER **** If the hinge pin side can be accessed Mk1B is needed. Initially developed for the U.S. Government, this model affixes to the door frame and outside edge of door from top to bottom forming a protective seal over the hinge. We can supply special models to cover larger hinges. Door hinge guards have a high impact resistance and are easily cleaned with common household cleaners.

2.3 DOOR HINGE GUARDS FOR HINGE PIN SIDE

- A. Door Hinge Guards: Model MK1B for hinge pin side as manufactured by Fingersafe USA, Inc.
1. Length: Standard, 79.75 inches (2026 mm).
 2. Length: 84 inches (2134 mm).
 3. Length: 96 inches (2438 mm).
 4. Length: As recommended by manufacturer for full length of door from bottom side of
 5. Width: 1.1 inches (28 mm).
 6. Width: Can be doubled in width
 7. Width: As scheduled and indicated on Drawings
 8. Thickness: 0.4 inches (10 mm) typical.
 9. Construction: High-quality PVC (UL V-O rated) with TPE hinges.
 10. Design: Protects fingers from the hinge pin end of the door.
 11. Compatibility: Fits wood, aluminum, metal, stainless steel and UPVC doors.
 12. Range of Motion: Allows door to operate in excess of 180 degrees.
 13. Application: Can be modified to accommodate doors or gates with a maximum opening of 16 inches (406 mm), wider openings up to 8-1/2 inches (215 mm); also fit rising butts.
 14. Installation Accessories: Screws and fixing strips are included.
 15. Compliance: Approved for use in up to any four-hour fire-rated door assembly.
 - a. ASTM E 152 - Methods of Fire Tests of Door Assemblies.
 - b. NFPA 25 - Standard For The Inspection, Testing, And Maintenance Of Water-Based Fire Protection Systems.
 - c. UL 10B - Fire Tests of Door Assemblies.
 - d. UL 10C - Positive Pressure Fire Tests of Door Assemblies.
 - e. CAN4 S-104 - Standard Method for Fire Tests of Door Assemblies
 - f. UBC 7-2 - Fire Tests of Door Assemblies.
 16. Colors: White.
 17. Colors: Black.
 18. Colors: Grey.
 19. Colors: Brown.
 19. Colors: Almond

2.4 DOOR HINGE GUARDS FOR BI-FOLD AND FLUSH FIT DOORS TO FRAME

- A. Door Hinge Guards: MK1C for bi-fold and flush fit doors as manufactured by Fingersafe USA, Inc.
1. Length: As recommended by manufacturer for size of door.
 2. Construction: High-quality PVC (UL V-O rated) with TPE hinges.
 3. Components: Uses the MK1A module but has a fixing strip which keeps the door hinge guard flat against the door and ejects fingers.
 4. Application: Allows a full 5 inch (127 mm) door opening and can be modified to accommodate wider openings up to 8-1/2 inches (125 mm)
 5. Compliance: Acts as a draft excluder and smoke inhibitor.
 6. Colors: White.

PART 3 EXECUTION

3.1 EXAMINATION AND PREPARATION

- A. Examine and prepare substrates and openings using the methods recommended by manufacturer in "Checklist for Door Safety" for achieving best result for the substrates under project conditions.
- B. If preparation is the responsibility of another installer, notify Architect in writing of deviations from manufacturer's recommended installation tolerances and conditions.

3.2 INSTALLATION

- A. Installation in accordance with manufacturer's instructions and in proper relationship to adjacent construction.

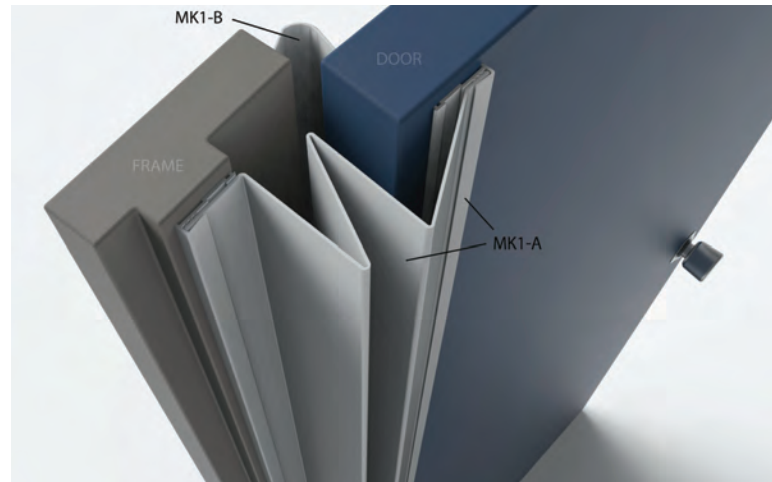
3.3 PROTECTION

- A. Protect installed products until completion of project.
- B. Touch-up, repair or replace damaged products before Substantial Completion.

END OF SECTION

fingersafe usa, inc.

"The company that closes the door on injuries since 1996"



Price List

Length	Styles	Colors
80"	MK1A - \$50.00 MK1B - \$30.00 MK1C - \$50.00	White, Brown, Black, Almond and Gray White, Brown, Black, Almond and Gray (Only Available in White)
84"	MK1A - \$53.00 MK1B - \$32.00	White, Brown, Black, Almond and Gray White, Brown, Black, Almond and Gray
96"	MK1A - \$60.00 MK1B - \$35.00	White, Brown, Black, Almond and Gray White, Brown, Black, Almond and Gray
Replacement MK1A Accordion Strip:		
80" - \$35.00	84" - \$37.00	96" - \$42.00
Replacement MK1A Fixing Strip:		
80" - \$15.00	84" - \$16.00	96" - \$18.00

When measuring your doors for Fingersafe® door hinge guards, start from the top hinged side of the door and measure to the bottom of the door. The MK1A door hinge guard covers the push side, if you are facing the door. The MK1B covers the pull side of the door, where the barrels of the hinges are exposed.

To order or receive more information visit fingersafeusa.com or call 1.888.FINGSAFE