

Product Description:

- ✦ LED light source
- ✦ 500 lumens (Cool White – 6000K)
- ✦ 7 Watt (= 45W standard halogen light bulb)
- ✦ No UV or IR light radiation
- ✦ High efficacy, 71 lm/W.
- ✦ CRI >70
- ✦ Long Lifetime, >25,000 hours
- ✦ Bi-pin GU5.3, AC 12~24V

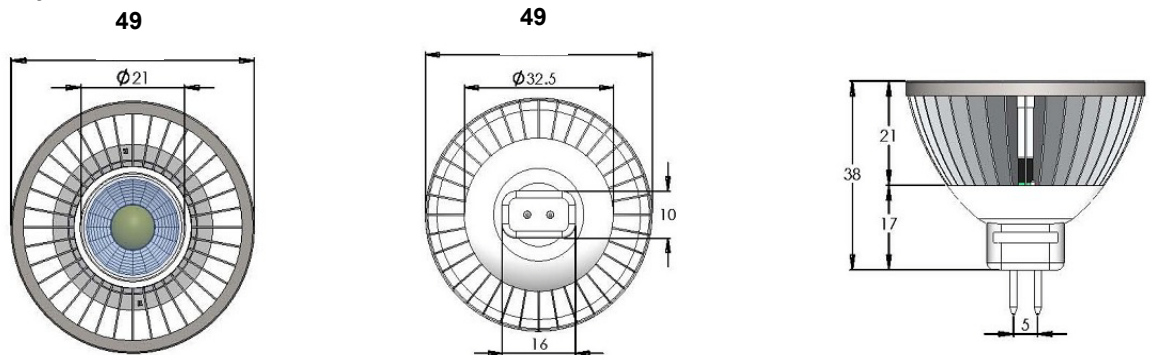


Model Number	Description
LM1607C3XDFND	7W, CW-6000K, 35° beam angle, GU5.3 socket, Frosted lens, DC 12~24V.
LM1607C4XDFND	7W, CW-6000K, 45° beam angle, GU5.3 socket, Frosted lens, DC 12~24V.
LM1607W3XDFND	7W, WW-3000K, 35° beam angle, GU5.3 socket, Frosted lens, DC 12~24V.
LM1607W4XDFND	7W, WW-3000K, 45° beam angle, GU5.3 socket, Frosted lens, DC 12~24V.

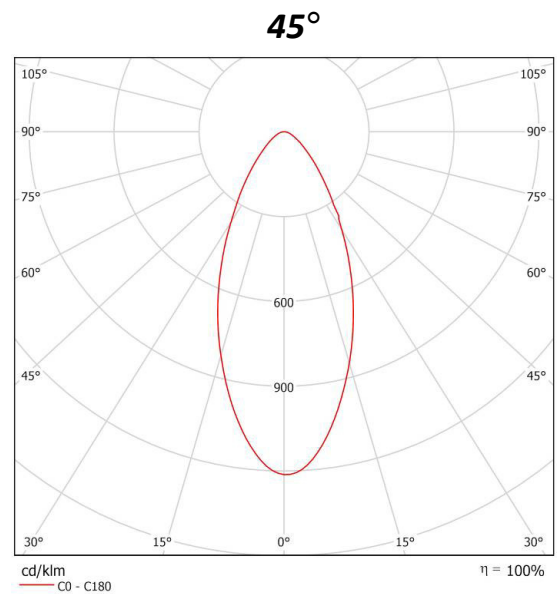
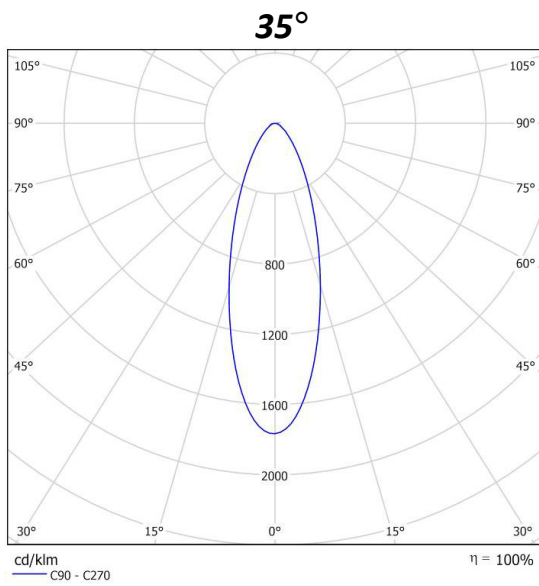
Specification:

Model Number	LM1607C3XDFND	LM1607C4XDFND	LM1607W3XDFND	LM1607W4XDFND
Power Consumption	7W			
CCT	6000K		3000K	
Beam Angle	35°	45°	35°	45°
LED	High Power SMD LED			
Socket	Bi-pin GU5.3 (GX5.3 compatible)			
Lens	Frosted			
Dimmable	No			
Input Voltage	DC 12~24V			
Luminous Flux	500 lm	470 lm	420 lm	400 lm
CRI	>70			
LED No.	1 pc, COB			
Housing	Aluminum + Plastic			
Operation Temperature	-20°C ~ +50°C			
Dimension	D49 x 47mm			
Net Weight	24 g			

Dimension (mm):



Luminous Intensity Distribution:



Illuminance:

Model	Center Lux @ Distance									
	10cm	20cm	30cm	40cm	50cm	60cm	70cm	80cm	90cm	100cm
7W, CW, 35°	583	459	298	168	114	72	49	29	23	19
7W, CW, 45°	417	336	259	185	121	70	50	33	25	18
7W, WW, 35°	494	389	253	141	97	61	42	24	19	16
7W, WW, 45°	353	286	219	157	102	59	43	29	21	15