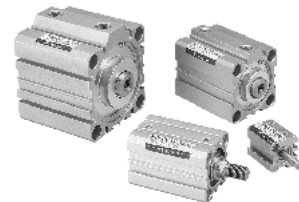


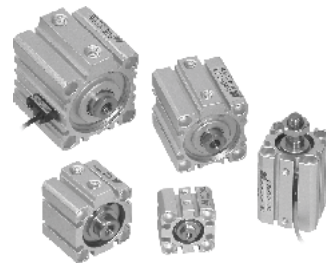
## MCJT SERIES COMPACT

- Ultra compact, a light weight and space saving cylinder.
- Wide range of bore sizes and strokes (12mm-100mm).
- Single and double acting available.



## MCJS SERIES Compact

- Ultra compact, a light weight and space saving cylinder.
- Wide range of bore sizes and strokes (12mm-100mm).
- Single and double acting available.
- Ideal for use in machinery where space is limited and incorporating sensor groove which enables flush fitting of sensors.
- Sensor can be mounted on any one of three faces on 12 and 16 bore and on four faces on 20-100 bore.



## MCCN SERIES Round

- Many mounting options available.
- Interchangeable with other manufacturers.



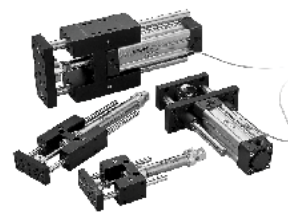
## MCGA SERIES Twin-Guided (Stop/Lift)

- Strong cylinder capable of heavy loads, used extensively for stopping work carriers in both the vertical and horizontal position.
- Large diameter guide rods enable cylinder to take high off-set loads.
- Can be used as 90 degree pusher on large conveyer systems.
- Magnetic as standard.



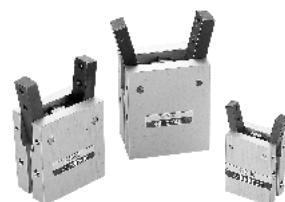
## MGT\* SERIES Twin-Guided

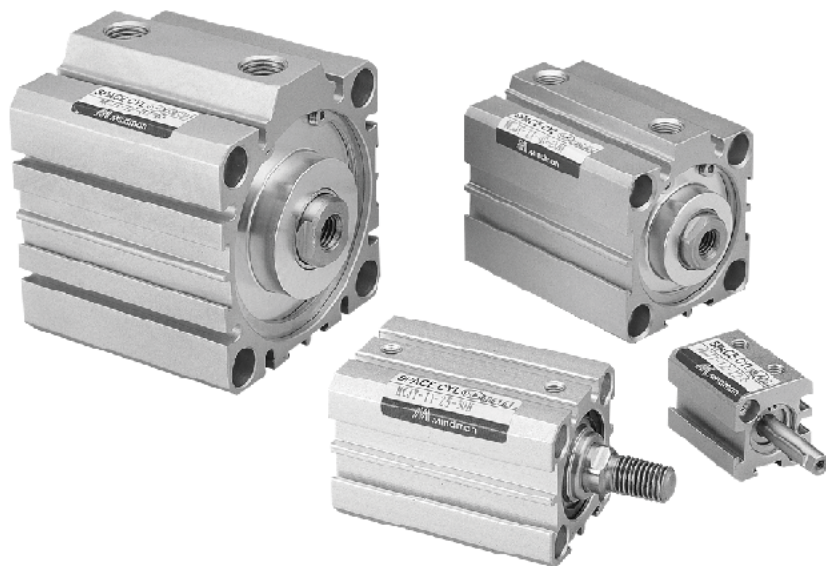
- The guide units can be assembled into cylinders that then conform to ISO6432.
- Anti-rotation guaranteed by use of external guide rods.
- Four self lube bushes or linear bearings enable high loadings and consistent movement.
- Simple to install by universal mounting holes.
- Flush fitting reed switch.
- Magnetic as standard.



## MCHA SERIES Grippers

- Available with comprehensive range of bore sizes 12-32mm.
- Highly accurate air driven device for holding work-piece.
- Magnetic as standard.



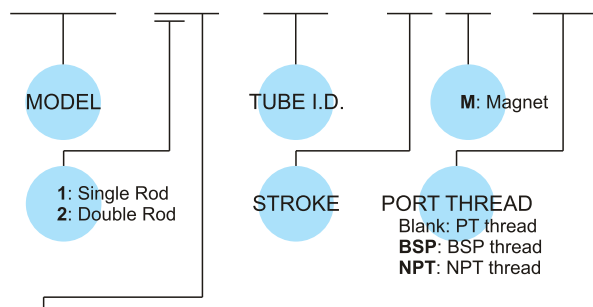


## FEATURES

- Ultra compact, a light weight and space saving cylinder.
- Wide range of bore sizes and strokes (12mm-100mm).
- Single and double acting available.

Order example:

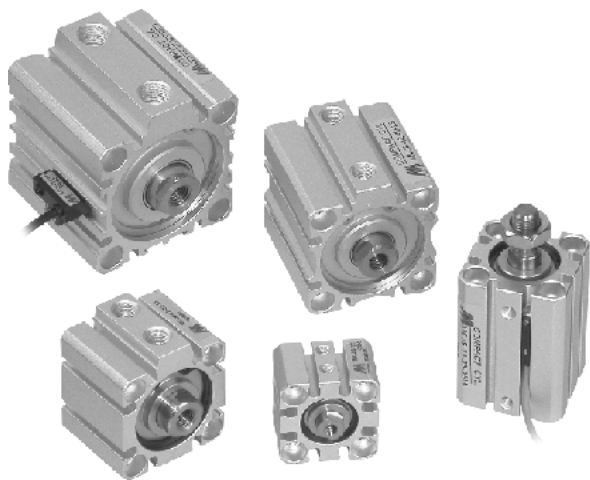
**MCJT – 12 – 40 – 25 M – BSP**



STYLE:

Code	Symbol	Description
1 1		Double acting / Male thread
1 2		Double acting / Female thread
1 3		Single acting / Normally extended male thread
1 4		Single acting / Normally extended female thread
1 5		Single acting / Normally returned male thread
1 6		Single acting / Normally returned female thread
2 1		Double rod / Male thread
2 2		Double rod / Female thread
2 7		Double rod / Adjustable male thread
2 8		Double rod / Adjustable female thread

Model		MCJT									
Acting type		Double acting / Single acting						Double acting			
Tube I.D. (mm)		12	16	20	25	32	40	50	63	80	100
Port size RC(PT)		M5×0.8			PT 1/8	PT 1/4	PT 3/8				
Medium		Air									
Operating pressure Kg/cm <sup>2</sup>	Double acting	0.5~9.9	0.3~9.9	0.2~9.9							
	Single acting	2.0~9.9	1.5~9.9	1.0~9.9	—						
Test pressure		15 kgf/cm <sup>2</sup>									
Ambient temperature		-5~+60°C (No freezing)									
Sensor switch		RCB, RCE, RCE1									



## FEATURES

- Ultra compact, a light weight and space saving cylinder.
- Wide range of bore sizes and strokes (12mm-100mm).
- Single and double acting available.
- Ideal for use in machinery where space is limited and incorporating sensor groove which enables flush fitting of sensors.
- Sensor can be mounted on any one of three faces on 12 and 16 bore and on four faces on 20-100 bore.

Model	MCJS		
Tube I.D. (mm)	12, 16, 20, 25	32, 40	50, 63, 80, 100
Port size RC(Pt)	M5	PT 1/8	PT 1/4
Medium	Air		
Operating pressure range	0.5-9.9 kgf/cm <sup>2</sup>		
Test pressure	15 kgf/cm <sup>2</sup>		
Ambient temperature	- 5~+ 60°C (No freezing)		
Cushion	With rubber cushion pad		
Lubrication	Not required		
Sensor switch	RCE,RCE1	RCB,RCE,RCE1	

## Order example:

**MCJS - 12 - 40 - 25 M - BSP**

MODEL

TUBE I.D.

M: Magnet

PORT THREAD  
Blank: PT thread  
BSP: BSP thread  
NPT: NPT thread

STROKE

- 1: Single Rod
- 2: Double Rod

## Mounting accessories:

**FAC - MCJS - 40**

MOUNTING TYPE:

	LB
	CB
	FAC
	FBC

MODEL

TUBE I.D.

## STYLE:

Code	Symbol	Description
1 1		Double acting / Male thread
1 2		Double acting / Female thread
1 3		Single acting / Normally extended Male thread
1 4		Single acting / Normally extended female thread
1 5		Single acting / Normally returned male thread
1 6		Single acting / Normally returned female thread

※ Please contact us for the dimensions of dual rod style.



## FEATURES

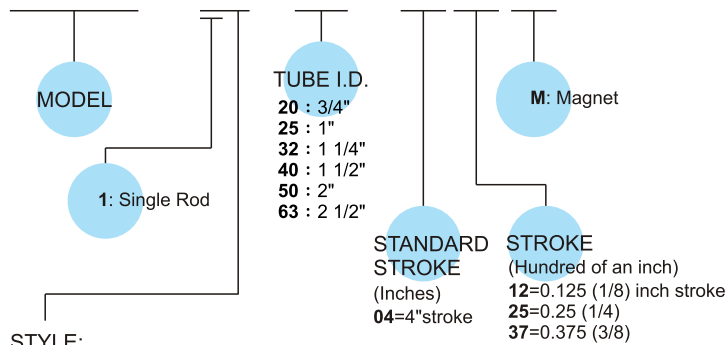
- Many mounting options available.
- Interchangeable with other manufacturers.

## Specification:

Model	MCCN					
Acting type	Double acting					
Tube I.D.	20	25	32	40	50	63
Port size	NPT 1/8			NPT 1/4		
Medium	Air					
Max operating pressure	9.9 kgf/cm <sup>2</sup>					
Min operating pressure	0.5 kgf/cm <sup>2</sup>					
Test pressure	15 kgf/cm <sup>2</sup>					
Ambient temperature	- 5~ + 60 °C (No freezing)					
Lubrication	Not required					
Available speed range	50~500 mm/sec					
Cushion	With rubber cushion pad					
Sensor switch	RCA					
Sensor switch holder	BGA20	BGA25	BGA32	BGA40	BGA50	BGA63

## Order example:

**MCCN - 11 - 40 - 0425 M**

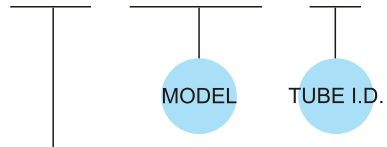


STYLE:

Code	Symbol	Description
1 1		Double acting / Male thread

## Mounting accessories:

**FAC - MCCN - 40**



MOUNTING TYPE

	LB
	CB
	FAC
	FBC
	SDB
	CB+SDB
	TA
	TB



## FEATURES

- Strong cylinder capable of heavy loads, used extensively for stopping work carriers in both the vertical and horizontal position.
- Large diameter guide rods enable cylinder to take high off-set loads.
- Can be used as 90 degree pusher on large conveyer systems.
- Magnetic as standard.

## Order example:

**MCGA — 03 — 20 — 50 — BSP**

MODEL

TUBE I.D.

STROKE

### PURPOSE / TYPE OF BEARING

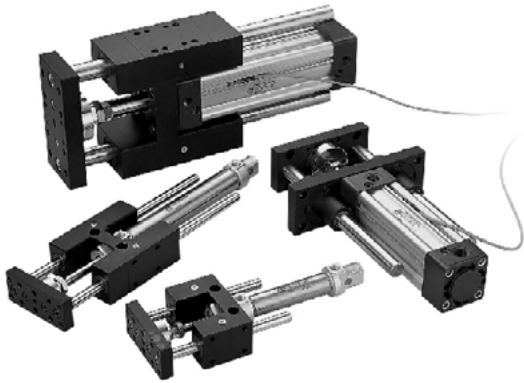
Code	Purpose / Type of bearing
03	Stop / Slide bearing
13	Lift / Linear bush bearing※
53	Lift / Slide bearing

※ Linear bush bearing type is not available as a stopper.

PORT THREAD  
Blank: PT thread  
**BSP**: BSP thread  
NPT: NPT thread

## Specification:

Model	MCGA			
Model (Stop type view)	<p>Up view</p>			
Acting type	Double acting			
Tube I.D. (mm)	20	32, 40	50, 63	80
Port size	PT1/8		PT1/4	PT3/8
Medium	Air			
Operating pressure range	1~9.9 kgf/cm <sup>2</sup>			
Test pressure	15 kgf/cm <sup>2</sup>			
Ambient temperature	-5~+60°C (No freezing)			
Cushion	With rubber cushion pad			
Lubrication	Not required			
Sensor switch	RCB			

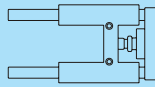


**MGTK** Light duty type

**MGTX** Light duty flange type

**MGTB** Heavy duty (bush) type

**MGTU** Heavy duty (linear bearing) type



### Order example:

**MGTB** — **40** — **100** — **RP**

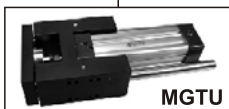
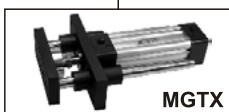
MODEL

TUBE I.D.

STROKE

REAR FLANGE COUPLING

RP: With rear flange coupling



## FEATURES

- The guide units can be assembled into cylinders that then conform to ISO6432.
- Anti-rotation guaranteed by use of external guide rods.
- Four self lube bushes or linear bearings enable high loadings and consistent movement.
- Simple to install by universal mounting holes.
- Flush fitting reed switch.
- Magnetic as standard.

## Specification

Model	MGTB, MGTU					
	MGTK		MGTX			
Tube I.D. (mm)	20	25	32	40	50	63
Port size Rc(PT)	G 1/8		G 1/8	G 1/4		G 3/8
The range of stroke (mm)	Stroke by request					
Medium	Air					
Operating pressure range	2~7 kgf/cm <sup>2</sup>					
Ambient temperature	-5~+60°C (No freezing)					
Lubrication	Cylinder	Not required				
	Guide ※	Lubricating grease				
Sensor switch	RCA			RCI		
Sensor switch holder	BA20	BA25	—			
	BGS20	BGS25	—			

※ Periodically refill of the Lubricating grease is required to enhance the lubricative grade and its lifetime.

### RCA sensor switch specification:

Model	RCA	RNA
Switch type	Reed switch	NPN current sinking
Voltage range	5~220V DC/AC	5 ~ 30V DC
Current range	100mA max.	200mA max.
Shock resistance	30G	50G

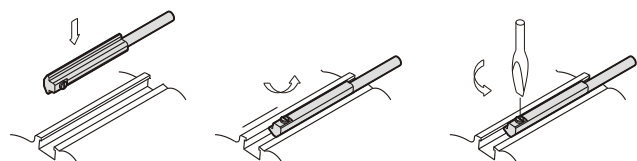
• Detail specification please refer to sensor switch RCA series.

### RCI sensor switch specification:

Model	RCI	RNI	RPI
Switch type	Reed switch	NPN current sinking	PNP current sourcing
Voltage range	5~220V DC/AC	10 ~ 30V DC	
Current range	100mA max.		
Shock resistance	30G	50G	

• Detail specification please refer to sensor switch RCI series.

### Mounting :





Order example:

**MCHA — 20**

MODEL

TUBE I.D.

## FEATURES

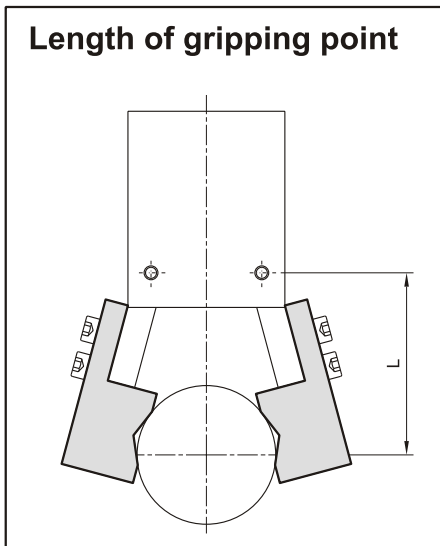
- Available with comprehensive range of bore sizes 12-32mm.
- Highly accurate air driven device for holding work-piece.
- Magnetic as standard.

## Specification:

Model	MCHA					
Acting type	Double acting					
Tube I.D. (mm)	12	16	20	25	32	
Port size	M3×0.5		M5×0.8			
Medium	Air					
Operating pressure range	1.5~7 kgf/cm <sup>2</sup> (0.15~0.7 MPa)					
Ambient temperature	- 5~ + 60°C (No freezing)					
Max frequency	180 Cycles/min					
Lubrication	Cylinder	Not required				
	Lever	Grease				
Max arm length (L) ※	30	40	60	70	85	
Clamp / Release angle	- 10~30°					
Theorem moment (M) ※	Closed	0.4×P	0.9×P	1.7×P	3.4×P	6.1×P
	Open	0.5×P	1.2×P	2.3×P	4.4×P	8.1×P
Clamping force (F) ※	F = M / L × 0.85					
Sensor switch	RCE, RCE1					
Weight (g)	53	103	193	327	525	

※ L : Arm length (mm), M : Theorem moment (kgf-cm),  
F : Clamping force (kgf), P : Operating pressure (kgf/cm<sup>2</sup>).

## Length of gripping point



## Installation of sensor switch

