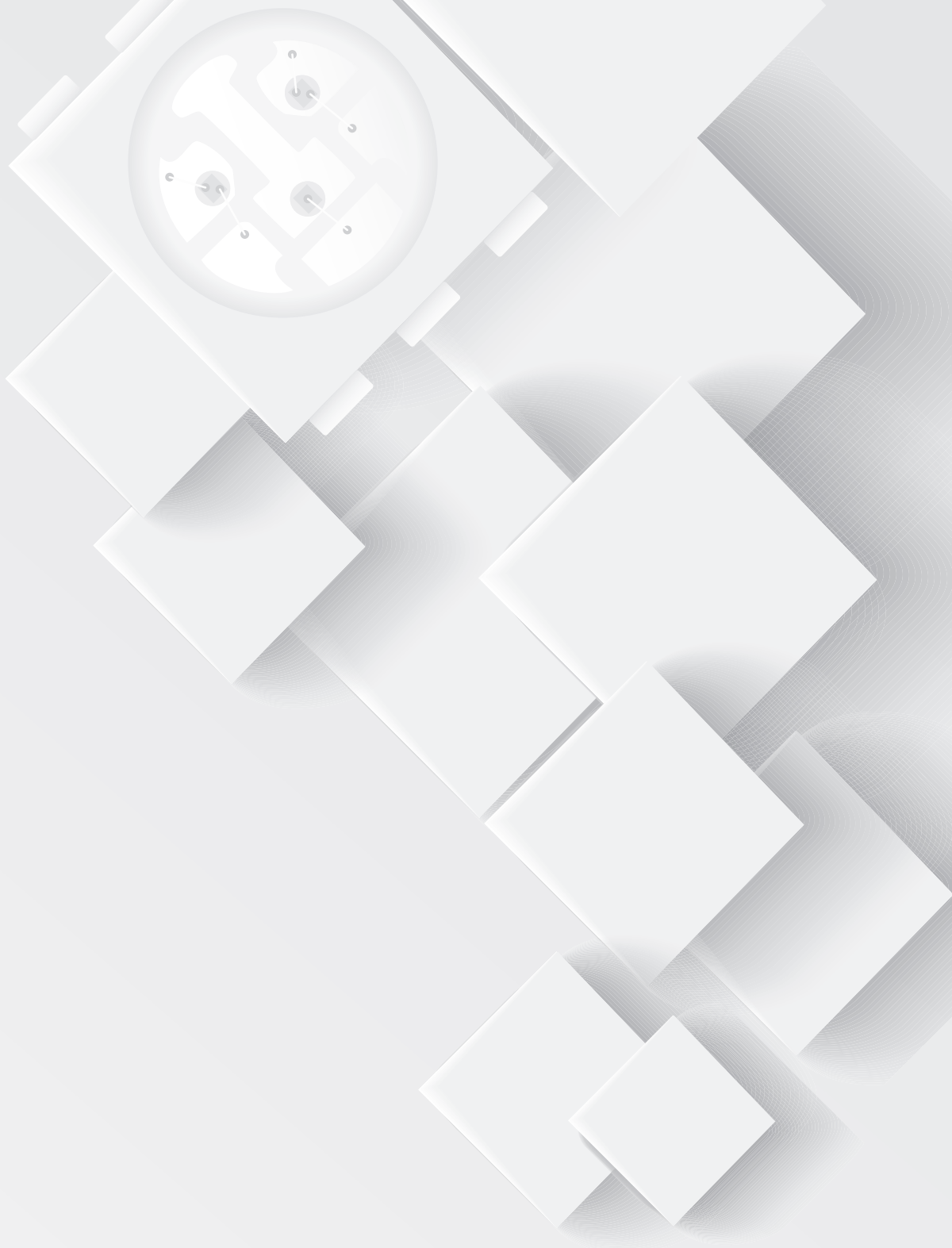


THE LED STRIP *specialist*



CHOOSE TEUCER FOR INTERIORS WITH MODERN LED STRIP LIGHTING

OUR PRODUCT RANGE IS DELIVERED WITH GREAT SPECIFICATION, RELIABILITY AND AN OUTSTANDING PERFORMANCE AT THE MOST COMPETITIVE PRICES.

The high-quality standards for which Teucer is renowned for, is a result of our dedication to product excellence and impeccable customer service. We stock one of the largest and most advanced ranges of LED strip available.

Our products are used in both commercial and residential projects, ranging from general lighting, cove lighting and feature lighting for both permanent and temporary applications.



CONTENTS



LED strip	4
Single colour LED strip	6
Tunable white LED strip	26
RGB, RGBW and RGBCCT LED strip	32
LED strip accessories	44
Flex Linear LED strip	48
Aluminium profiles	52
Modular aluminium profiles	74
Compatibility overview	86

LED power supply	88
Standard LED drivers	90
Power consumption table for standard LED drivers	95
Dimmable LED drivers	96
Power consumption table for dimmable LED drivers	101
DALI dimmable LED drivers	102
Power consumption table for DALI dimmable LED drivers	107



Controllers and receivers	108
Controllers and receivers compatibility table	109
Controllers and receivers for single colour LED strip	110
Controllers and receivers for tunable white LED strip	114
Controllers and receivers for RGB and RGBW LED strip	118
Controllers and receivers for RGBCCT LED strip	122
Wi-Fi transmitter	126
Decoders and signal repeaters	128

Smart switchers and dimmers	132
Smart WIFI switches	134
Smart WIFI dimmer	136
Smart WIFI socket	138
Projects	142
Bespoke customisation services	143

LED STRIP

LED STRIP IS ONE OF THE MOST POPULAR LIGHTING PRODUCTS SPECIFIED TODAY, USED IN ALL TYPES OF APPLICATIONS. WITH THE ABILITY TO BE CUT TO SIZE, IT IS FLEXIBLE ENOUGH TO BE INSTALLED ALMOST ANYWHERE.

LED strip is an incredibly versatile type of lighting, which can be used for decorative purposes or in a much more functional manner.

With so many different LED strip types in our current product range it is easy to create a stunning unique look in your home, restaurant/hotel or retail store.

Our strip is available in a range of different colour temperatures from warm to cool tones, allowing the user to create different shades of light.

With the right planning and the correct positioning, you'll be able to create the right kind of ambience, adding both style and value to your home.

GREAT QUALITY

All Teucer LED strip products feature a 2 oz PCB board, enabling greater product longevity and use of longer LED strip runs. All our LED strip features a powerful 300MP adhesive. This offers exceptional heat resistance, ensuring the products are secure and do not peel off surfaces with time.



WHEN ILLUMINATED,
A WELL-DESIGNED LED
INSTALLATION GIVES ANY
LOCATION OR SURFACE A
SMOOTH, GORGEOUS GLOW.

A GREAT WAY
TO ENHANCE YOUR
HOME'S INTERIOR
DESIGN

Love The EFFECT

SINGLE COLOUR
LED STRIP

WHEN THINKING ABOUT THE FLOW OF SPACE, AMBIENCE AND ATMOSPHERE IN YOUR HOME, LIGHTING CAN BE ONE OF THE MOST FUNDAMENTAL ELEMENTS. BRIGHTER LIGHTS CAN MAKE YOU FEEL ALERT AND AWAKE, WHERE DIMMER, SOFTER LIGHTS CAN BE RELAXING.

SINGLE COLOUR

LED STRIPS



Lighting is key to creating the right ambience in your home, but it doesn't mean that you have to spend a fortune on designer light fittings. While you may want to splash out on a focal piece in a particular room or space, the key to great lighting is the quality of the light and how it's being used.

Our single colour LED strip can be used to enhance the colour of your décor,

provide warmth and atmosphere and to distinguish different zones within your home. We offer an extensive range of single colour LED strips to accommodate a wide range of commercial projects, as well as residential, comprising of general lighting, cove lighting and feature lighting for both permanent and temporary applications.

**MATCH YOUR LST-1 LED STRIP
WITH THE MOST SUITABLE
ALUMINIUM PROFILE**



SINGLE COLOUR LED STRIP 4.8W/M

LST-1

COMPATIBILITY OVERVIEW

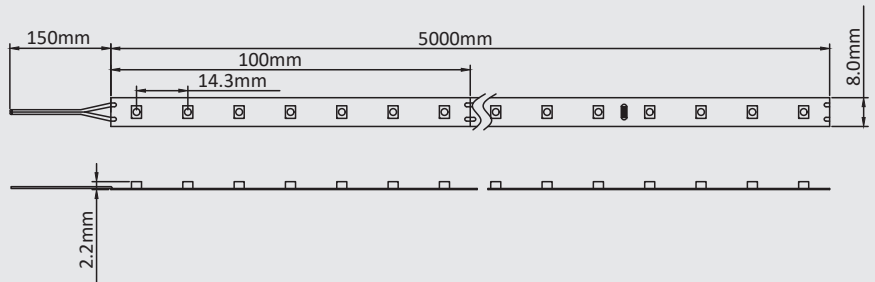
Profile	LST-1	LST-1IP
AL-0	D	N
AL-1	D	D
AL-2	D	D
AL-3	D	D
AL-4	D	D
AL-5	D	D
AL-6	L	L
AL-7	D	D
AL-8	L	L
AL-9	D	N
ALS-5	L	L
ALS-6I	L	L
ALP-6	L	L

N - NOT COMPATIBLE
D - COMPATIBLE, DOTTED EFFECT
L - COMPATIBLE, LINEAR EFFECT

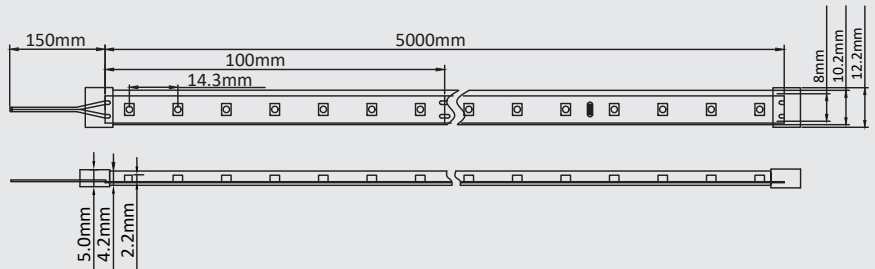


TECHNICAL DRAWING

IP20



IP65



**BRILLIANT ADDITION TO THE MODERN
DESIGN TOOLBOX**

»» 3528 CHIP



TECHNICAL SPECIFICATION

Max Wattage	4.8 W/m
LED Chip	SMD 3528
LEDs per meter	70LEDs
Construction	PCB
IP rating	IP20/IP65
Fixture	Self Adhesive (300MP)
Voltage	24V
Dimension	5m
Cut	Every 100mm
Colour Rendering Index	Ra > 90
Beam Angle	120°
Energy Efficiency Rating	A+
Estimated Life	50.000 hours
Operating temperature	-20~+45°C
Maximum run length	15m



PRODUCT CODE

Product Code	IP Rating	CCT	Lumens/m	Lumens/W
LST-1WW27K	IP20	2700K	394 lm	82 lm/W
LST-1WW30K	IP20	3000K	408 lm	85 lm/W
LST-1CW	IP20	4000K	480 lm	95 lm/W
LST-1B	IP20	Blue	93lm	18 lm/W
LST-1IPWW27K	IP65	2700K	374 lm	77 lm/W
LST-1IPWW30K	IP65	3000K	395 lm	82 lm/W
LST-1IPCW	IP65	4000K	403 lm	83 lm/W
LST-1IPDL	IP65	6500K	410 lm	85 lm/W
LST-1IPB	IP65	Blue	85lm	17 lm/W

**MATCH YOUR LST-3 LED STRIP
WITH THE MOST SUITABLE
ALUMINIUM PROFILE**



SINGLE COLOUR LED STRIP 9.6W/M

LST-3 <<<<

COMPATIBILITY OVERVIEW

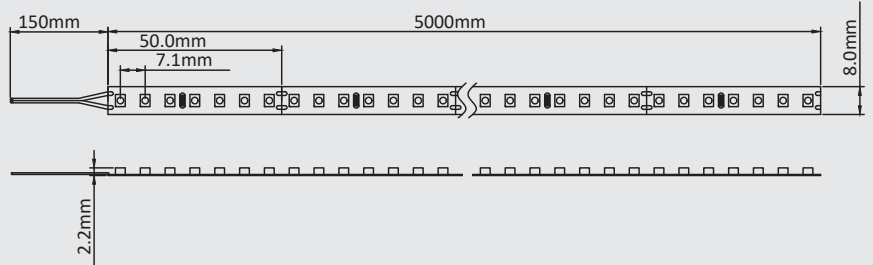
Profile	LST-3	LST-3IP
AL-0	N	N
AL-1	D	D
AL-2	L	L
AL-3	L	L
AL-4	L	L
AL-5	D	D
AL-6	L	L
AL-7	L	L
AL-8	L	L
AL-9	D	N
ALS-5	L	L
ALS-6I	L	L
ALP-6	L	L

N - NOT COMPATIBLE
D - COMPATIBLE, DOTTED EFFECT
L - COMPATIBLE, LINEAR EFFECT

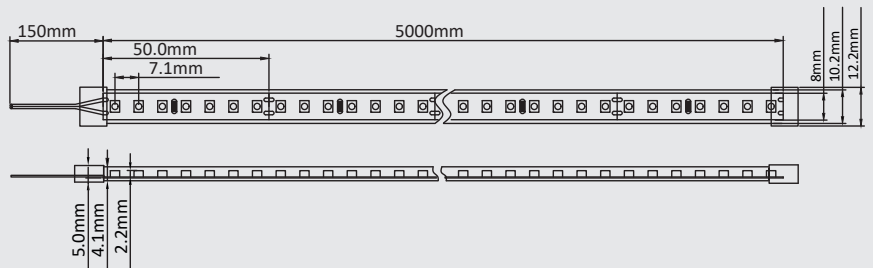


TECHNICAL DRAWING

IP20

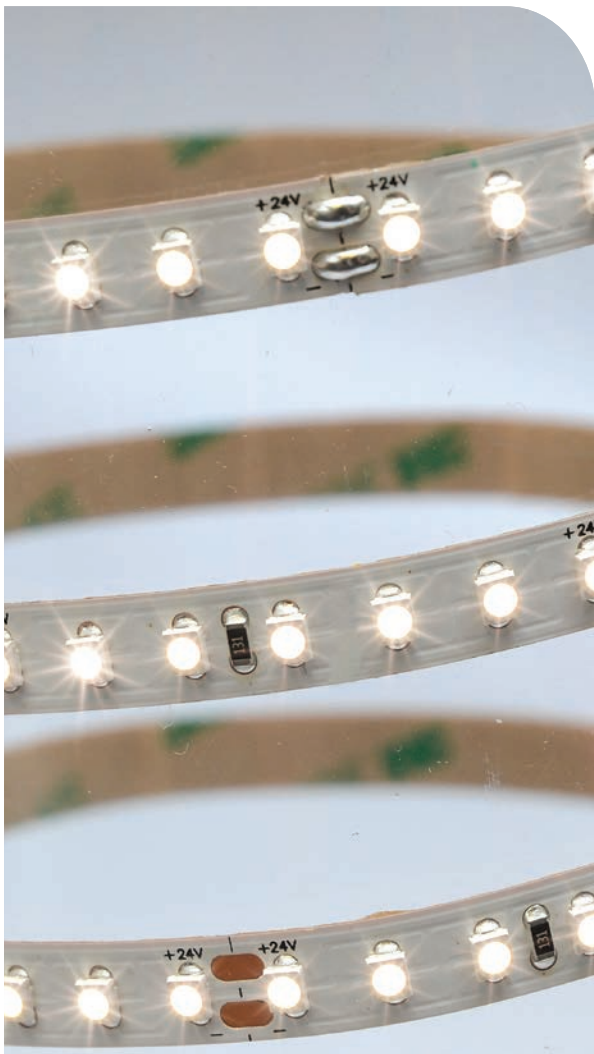


IP65



**TAILORED TO FIT IN ANY
SPACE**

»» 3528 CHIP



TECHNICAL SPECIFICATION

Max Wattage	9.6 W/m
LED Chip	SMD 3528
LEDs per meter	140LEDs
Construction	PCB
IP rating	IP20/IP65
Fixture	Self Adhesive (300MP)
Voltage	24V
Dimension	5m
Cut	Every 50mm
Colour Rendering Index	Ra > 90
Beam Angle	120°
Energy Efficiency Rating	A+
Estimated Life	50.000 hours
Operating temperature	-20~+45°C
Maximum run length	15m



PRODUCT CODE

Product Code	IP Rating	CCT	Lumens/m	Lumens/W
LST-3WW27K	IP20	2700K	787 lm	82 lm/W
LST-3WW30K	IP20	3000K	816 lm	85 lm/W
LST-3CW	IP20	4000K	960 lm	92 lm/W
LST-3DL	IP20	6500K	883 lm	92 lm/W
LST-3B	IP20	Blue	187 lm	19 lm/W
LST-3IPWW27K	IP65	2700K	750 lm	78 lm/W
LST-3IPWW30K	IP65	3000K	795 lm	82 lm/W
LST-3IPCW	IP65	4000K	809 lm	84 lm/W
LST-3IPDL	IP65	6500K	820 lm	85 lm/W
LST-3IPB	IP65	Blue	170 lm	17 lm/W

**MATCH YOUR LST-3(N) LED STRIP
WITH THE MOST SUITABLE
ALUMINIUM PROFILE**



SINGLE COLOUR LED STRIP 9.6W/M

LST-3(N) <<<

COMPATIBILITY OVERVIEW

Profile LST-3(N) LST-3IP(N)

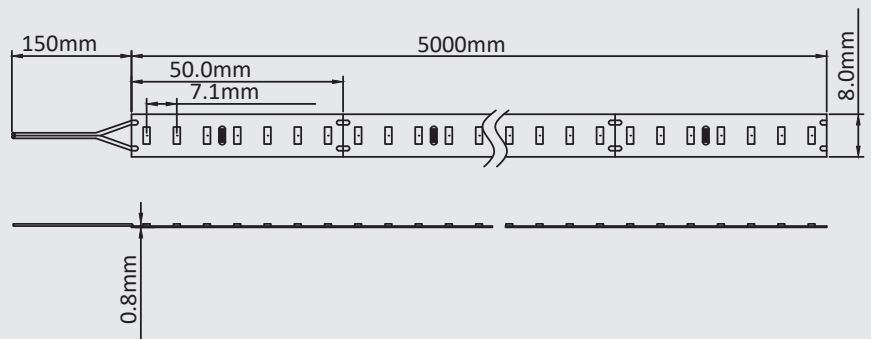
AL-0	N	N
AL-1	D	D
AL-2	L	L
AL-3	L	L
AL-4	L	L
AL-5	D	D
AL-6	L	L
AL-7	L	L
AL-8	L	L
AL-9	D	N
ALS-5	L	L
ALS-6I	L	L
ALP-6	L	L

N - NOT COMPATIBLE
D - COMPATIBLE, DOTTED EFFECT
L - COMPATIBLE, LINEAR EFFECT

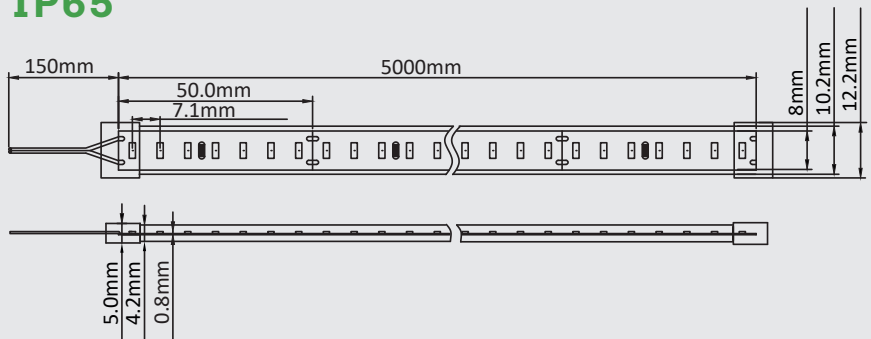


TECHNICAL DRAWING

IP20



IP65



FOR UNIQUE
LIGHTING INSTALLATIONS

»» 2216 CHIP



TECHNICAL SPECIFICATION

Max Wattage	9.6 W/m
LED Chip	SMD 2216
LEDs per meter	140LEDs
Construction	PCB
IP rating	IP20/IP65
Fixture	Self Adhesive (300MP)
Voltage	24V
Dimension	5m
Cut	Every 50mm
Colour Rendering Index	Ra > 90
Beam Angle	120°
Energy Efficiency Rating	A+
Estimated Life	50.000 hours
Operating temperature	-20~+45°C
Maximum run length	15m



PRODUCT CODE

Product Code	IP Rating	CCT	Lumens/m	Lumens/W
LST-3WW27K(N)	IP20	2700K	873 lm	91 lm/W
LST-3WW30K(N)	IP20	3000K	912 lm	95 lm/W
LST-3CW(N)	IP20	4000K	960 lm	100 lm/W
LST-IP3WW27K(N)	IP65	2700K	820 lm	85 lm/W
LST-IP3WW30K(N)	IP65	3000K	860 lm	89 lm/W
LST-IP3CW(N)	IP65	4000K	910 lm	94 lm/W

**MATCH YOUR LST-4(S) LED STRIP
WITH THE MOST SUITABLE
ALUMINIUM PROFILE**



SINGLE COLOUR LED STRIP 12W/M

LST-4(S) <<<

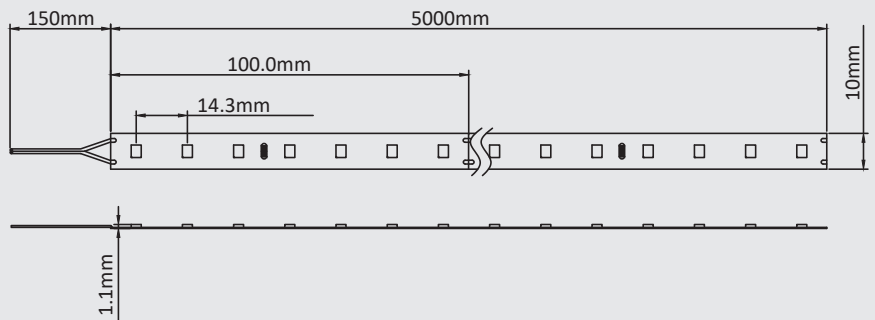
COMPATIBILITY OVERVIEW

Profile	LST-4(S)	LST-4IP(S)
AL-0	N	N
AL-1	D	D
AL-2	D	D
AL-3	D	D
AL-4	D	D
AL-5	D	D
AL-6	L	L
AL-7	D	D
AL-8	L	L
AL-9	N	N
ALS-5	L	L
ALS-6I	L	L
ALP-6	L	L

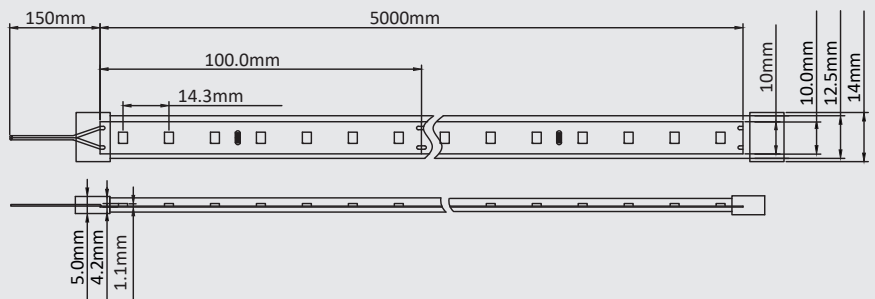
N - NOT COMPATIBLE
D - COMPATIBLE, DOTTED EFFECT
L - COMPATIBLE, LINEAR EFFECT

TECHNICAL DRAWING

IP20

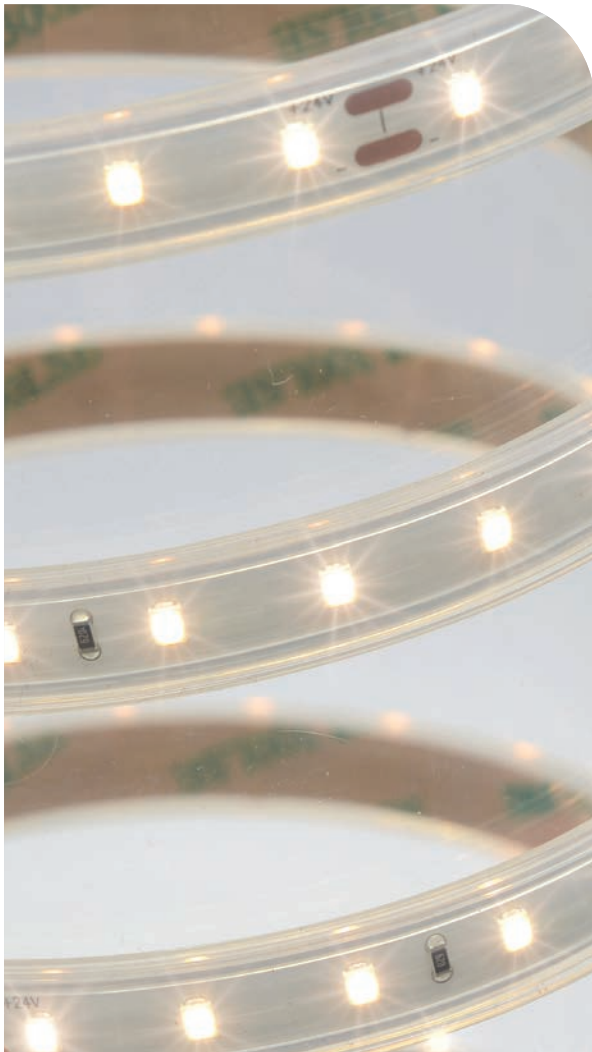


IP65



FOR CREATING
ENCHANTED AMBIENCE

»» 2835 CHIP



TECHNICAL SPECIFICATION

Max Wattage	12 W/m
LED Chip	SMD 2835
LEDs per meter	70LEDs
Construction	PCB
IP rating	IP20/IP65
Fixture	Self Adhesive (300MP)
Voltage	24V
Dimension	5m
Cut	Every 100mm
Colour Rendering Index	Ra > 80
Beam Angle	120°
Energy Efficiency Rating	A+
Estimated Life	50.000 hours
Operating temperature	-20~+45°C
Maximum run length	15m



PRODUCT CODE

Product Code	IP Rating	CCT	Lumens/m	Lumens/W
LST-4WW27K(S)	IP20	2700K	1080 lm	90 lm/W
LST-4WW30K(S)	IP20	3000K	1150 lm	95 lm/W
LST-4CW(S)	IP20	4000K	1190 lm	99 lm/W
LST-4DL(S)	IP20	6500K	1200 lm	100 lm/W
LST-4B(S)	IP20	Blue	280 lm	23 lm/W
LST-4IPWW27K(S)	IP65	2700K	1025 lm	85 lm/W
LST-4IPWW30K(S)	IP65	3000K	1035 lm	86 lm/W
LST-4IPCW(S)	IP65	4000K	1070 lm	89 lm/W
LST-4IPDL(S)	IP65	6500K	1080 lm	90 lm/W
LST-4IPB(S)	IP65	Blue	265 lm	22 lm/W

**MATCH YOUR LST-4Z LED STRIP
WITH THE MOST SUITABLE
ALUMINIUM PROFILE**



COMPATIBILITY OVERVIEW

Profile	LST-4Z
AL-0	N
AL-1	D
AL-2	D
AL-3	D
AL-4	D
AL-5	D
AL-6	L
AL-7	D
AL-8	L
AL-9	D
ALS-5	L
ALS-6I	L
ALP-6	L

N - NOT COMPATIBLE
D - COMPATIBLE, DOTTED EFFECT
L - COMPATIBLE, LINEAR EFFECT

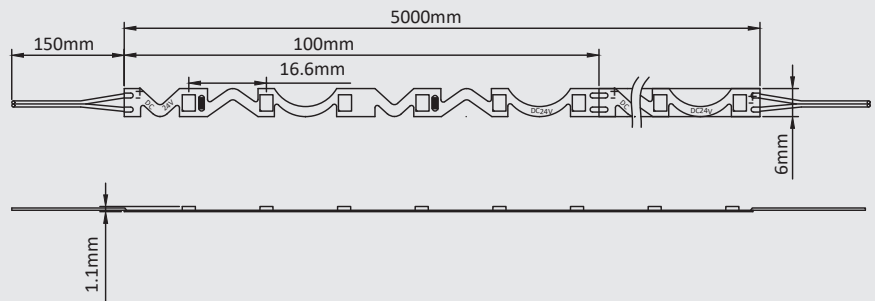
SINGLE COLOUR LED STRIP 10W/M

LST-4Z



TECHNICAL DRAWING

IP20



**AMAZING FLEXIBILITY, IDEAL FOR
NON-LINEAR SHAPES**

»» 2835 CHIP



TECHNICAL SPECIFICATION

Max Wattage	10 W/m
LED Chip	SMD 2835
LEDs per meter	70LEDs
Construction	PCB
IP rating	IP20
Fixture	Self Adhesive (300MP)
Voltage	24V
Dimension	5m
Cut	Every 100mm
Colour Rendering Index	Ra > 80
Beam Angle	120°
Energy Efficiency Rating	A+
Estimated Life	50.000 hours
Operating temperature	-20~+45°C
Maximum run length	3m



PRODUCT CODE

Product Code	IP Rating	CCT	Lumens/m	Lumens/W
LST-4ZWW27K	IP20	2700K	850 lm	85 lm/W
LST-4ZWW30K	IP20	3000K	860 lm	86 lm/W
LST-4ZCW	IP20	4000K	900 lm	90 lm/W

**MATCH YOUR LST-5 LED STRIP
WITH THE MOST SUITABLE
ALUMINIUM PROFILE**



SINGLE COLOUR LED STRIP 19.2W/M

LST-5

COMPATIBILITY OVERVIEW

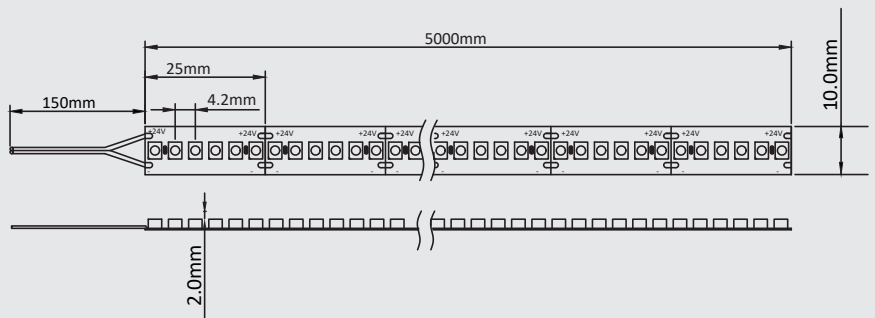
Profile	LST-5	LST-5IP
AL-0	N	N
AL-1	L	L
AL-2	L	L
AL-3	L	L
AL-4	L	L
AL-5	L	L
AL-6	L	L
AL-7	L	L
AL-8	L	L
AL-9	N	N
ALS-5	L	L
ALS-6I	L	L
ALP-6	L	L

N - NOT COMPATIBLE
D - COMPATIBLE, DOTTED EFFECT
L - COMPATIBLE, LINEAR EFFECT

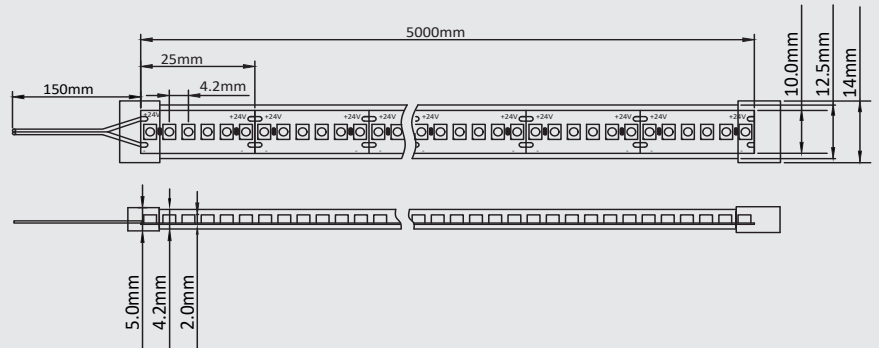


TECHNICAL DRAWING

IP20

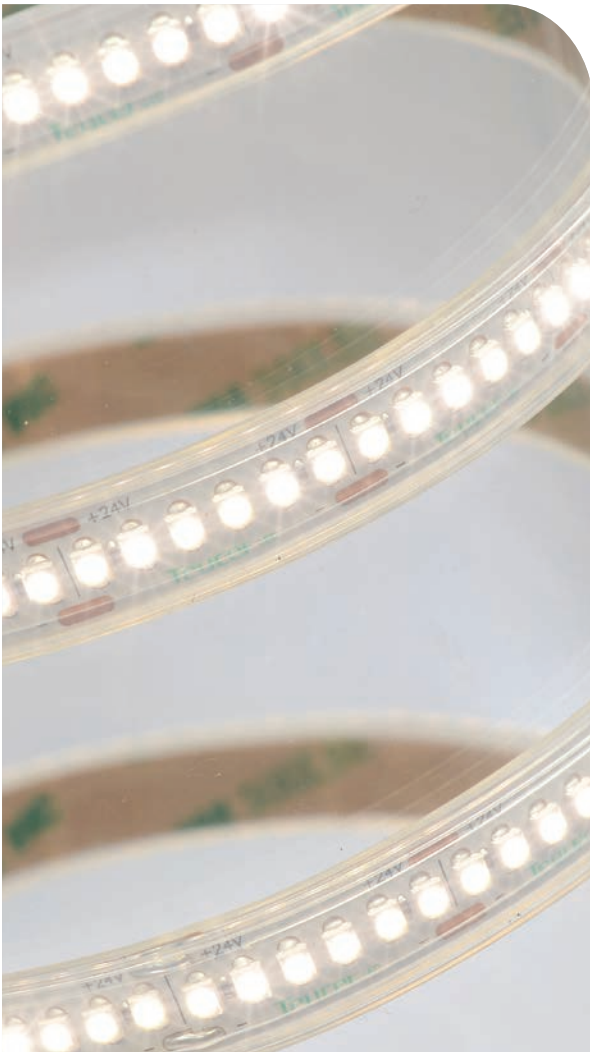


IP65



SEAMLESS LIGHT
FOR STUNNING EFFECTS

»» 3528 CHIP



TECHNICAL SPECIFICATION

Max Wattage	19.2 W/m
LED Chip	SMD 3528
LEDs per meter	240 LEDs
Construction	PCB
IP rating	IP20/IP65
Fixture	Self Adhesive (300MP)
Voltage	24V
Dimension	5m
Cut	Every 25mm
Colour Rendering Index	Ra > 90
Beam Angle	120°
Energy Efficiency Rating	A+
Estimated Life	50.000 hours
Operating temperature	-20~+45°C
Maximum run length	15m



PRODUCT CODE

Product Code	IP Rating	CCT	Lumens/m	Lumens/W
LST-5WW27K	IP20	2700K	1340 lm	69 lm/W
LST-5WW30K	IP20	3000K	1440 lm	75 lm/W
LST-5CW	IP20	4000K	1540 lm	80 lm/W
LST-5DL	IP20	6500K	1550 lm	80 lm/W
LST-5B	IP20	Blue	363 lm	18.5 lm/W
LST-5IPWW27K	IP65	2700K	1270 lm	66 lm/W
LST-5IPWW30K	IP65	3000K	1300 lm	67 lm/W
LST-5IPCW	IP65	4000K	1350 lm	70 lm/W
LST-5IPDL	IP65	6500K	1370 lm	70 lm/W
LST-5IPB	IP65	Blue	330 lm	17 lm/W

**MATCH YOUR LST-5(N) LED STRIP
WITH THE MOST SUITABLE
ALUMINIUM PROFILE**



SINGLE COLOUR LED STRIP 19.2W/M

LST-5(N) <<<

COMPATIBILITY OVERVIEW

Profile LST-5(N)

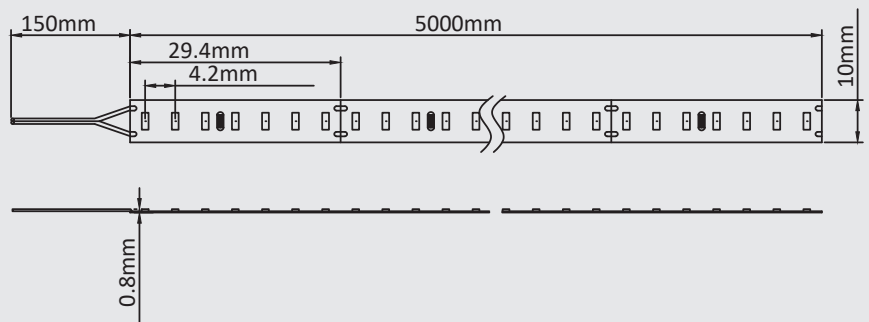
AL-0	N
AL-1	L
AL-2	L
AL-3	L
AL-4	L
AL-5	L
AL-6	L
AL-7	L
AL-8	L
AL-9	N
ALS-5	L
ALS-6I	L
ALP-6	L

N - NOT COMPATIBLE
D - COMPATIBLE, DOTTED EFFECT
L - COMPATIBLE, LINEAR EFFECT



TECHNICAL DRAWING

IP20



ENDLESS RANGE OF POSSIBILITIES
WITH LINEAR EFFECT

»» 2216 CHIP



TECHNICAL SPECIFICATION

Max Wattage	19.2 W/m
LED Chip	SMD 2216
LEDs per meter	238 LEDs
Construction	PCB
IP rating	IP20
Fixture	Self Adhesive (300MP)
Voltage	24V
Dimension	5m
Cut	Every 29.4mm
Colour Rendering Index	Ra > 90
Beam Angle	120°
Energy Efficiency Rating	A+
Estimated Life	50.000 hours
Operating temperature	-20~+45°C
Maximum run length	15m



PRODUCT CODE

Product Code	IP Rating	CCT	Lumens/m	Lumens/W
LST-5WW27K(N)	IP20	2700K	1747lm	91 lm/W
LST-5WW30K(N)	IP20	3000K	1824 lm	95 lm/W
LST-5CW(N)	IP20	4000K	1920 lm	100 lm/W

**MATCH YOUR LST-6 LED STRIP
WITH THE MOST SUITABLE
ALUMINIUM PROFILE**



SINGLE COLOUR LED STRIP 28.8W/M

LST-6

COMPATIBILITY OVERVIEW

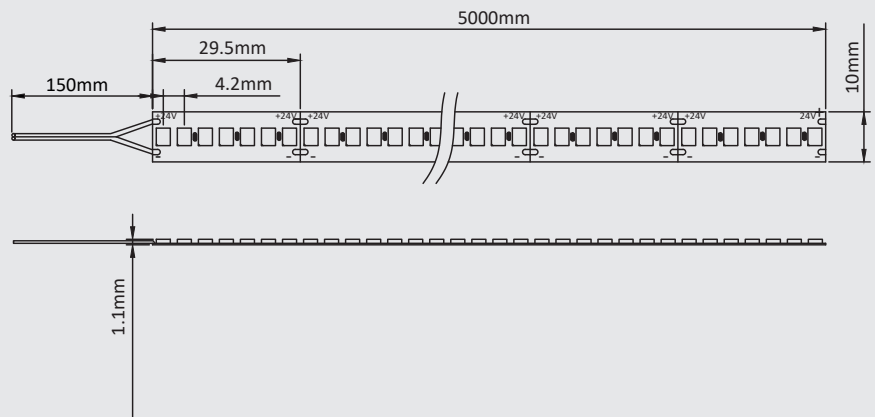
Profile	LST-6
AL-0	N
AL-1	N
AL-2	N
AL-3	N
AL-4	N
AL-5	N
AL-6	L
AL-7	N
AL-8	N
AL-9	N
ALS-5	L
ALS-6I	L
ALP-6	L

N - NOT COMPATIBLE
D - COMPATIBLE, DOTTED EFFECT
L - COMPATIBLE, LINEAR EFFECT



TECHNICAL DRAWING

IP20



PREMIUM LINEAR EFFECT
FOR FLAWLESS WALL WASHING

»» 2835 CHIP



TECHNICAL SPECIFICATION

Max Wattage	28.8 W/m
LED Chip	SMD 2835
LEDs per meter	238 LEDs
Construction	PCB
IP rating	IP20
Fixture	Self Adhesive (300MP)
Voltage	24V
Dimension	5m
Cut	Every 29.5mm
Colour Rendering Index	Ra > 80
Beam Angle	120°
Energy Efficiency Rating	A+
Estimated Life	50.000 hours
Operating temperature	-20~+45°C
Maximum run length	10m



PRODUCT CODE

Product Code	IP Rating	CCT	Lumens/m	Lumens/W
LST-6WW27K	IP20	2700K	2740 lm	95 lm/W
LST-6WW30K	IP20	3000K	2750 lm	95 lm/W
LST-6CW	IP20	4000K	2870 lm	99 lm/W
LST-6DL	IP20	6500K	2880 lm	100 lm/W

**MATCH YOUR LST-6(HL) LED STRIP
WITH THE MOST SUITABLE
ALUMINIUM PROFILE**



SINGLE COLOUR LED STRIP 26W/M

LST-6(HL)

COMPATIBILITY OVERVIEW

Profile LST-6(HL)

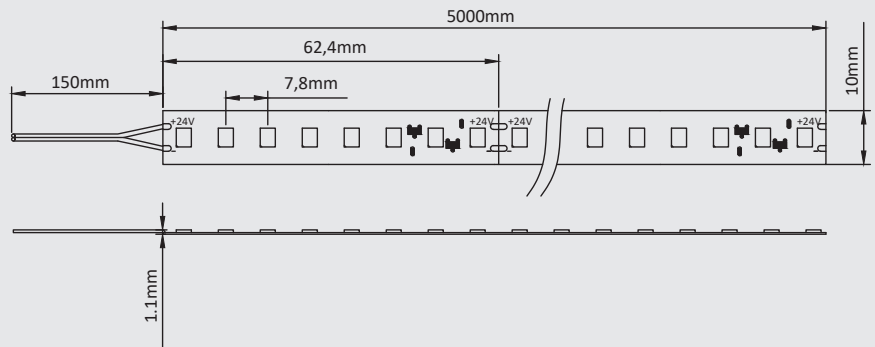
AL-0	N
AL-1	N
AL-2	N
AL-3	N
AL-4	N
AL-5	N
AL-6	L
AL-7	N
AL-8	N
AL-9	N
ALS-5	L
ALS-6I	L
ALP-6	L

N - NOT COMPATIBLE
D - COMPATIBLE, DOTTED EFFECT
L - COMPATIBLE, LINEAR EFFECT



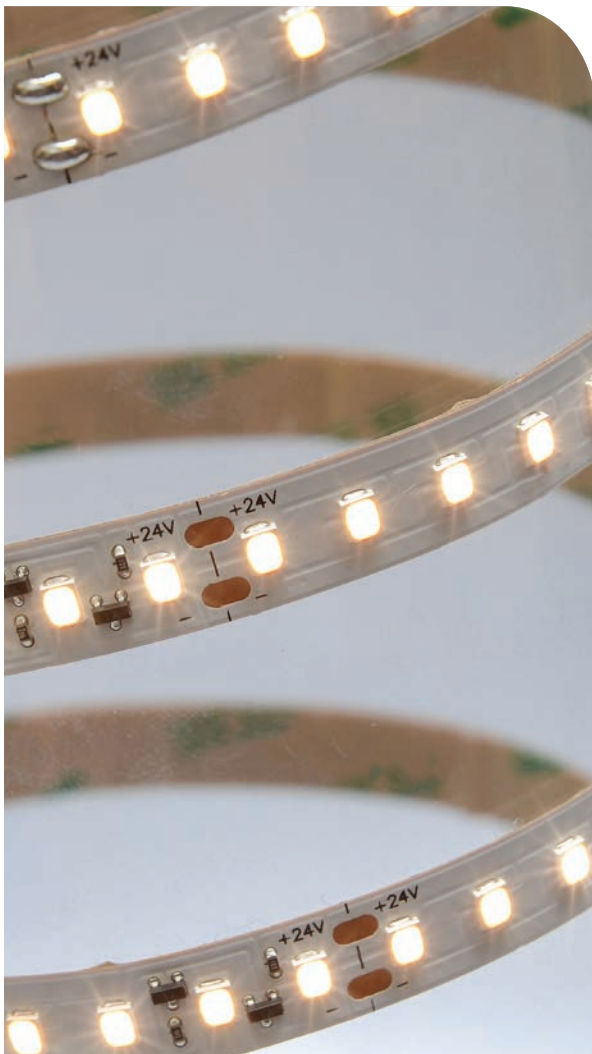
TECHNICAL DRAWING

IP20



EXCEPTIONAL BRIGHTNESS
FOR PROFESSIONAL APPLICATIONS

» 2835 CHIP



TECHNICAL SPECIFICATION

Max Wattage	26 W/m
LED Chip	SMD 2835
LEDs per meter	128 LEDs
Construction	PCB
IP rating	IP20
Fixture	Self Adhesive (300MP)
Voltage	24V
Dimension	5m
Cut	Every 62.4mm
Colour Rendering Index	Ra > 80
Beam Angle	120°
Energy Efficiency Rating	A+
Estimated Life	50.000 hours
Operating temperature	-20~+45°C
Maximum run length	12m



PRODUCT CODE

Product Code	IP Rating	CCT	Lumens/m	Lumens/W
LST-6HLWW27K	IP20	2700K	3000 lm	115 lm/W
LST-6HLWW30K	IP20	3000K	3100 lm	120 lm/W
LST-6HLCW	IP20	4000K	3380 lm	130 lm/W

Design with DISTINCTION

LIGHT IS AN INTANGIBLE
RESOURCE AND OUR
CHALLENGE IS
TO HELP LIGHTING
DESIGNERS TO
VISUALISE, CREATE,
COMMUNICATE AND
MATERIALISE LIGHTING
ENVIRONMENTS FOR
A WIDE RANGE OF
ARCHITECTURAL
SPACES

TUNABLE WHITE
LED STRIP

TUNABLE WHITE

LED STRIPS

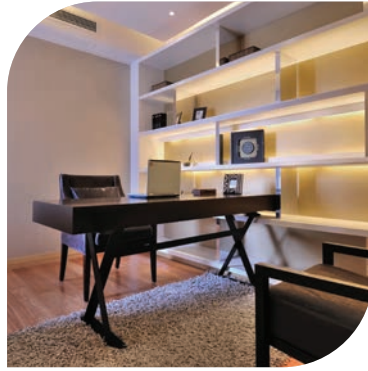


Tunable white LED strip can help control the perception of the colour of light in both interior and exterior spaces. Architecture, furniture, decoration and artwork can only be fully appreciated when enhanced by a well designed and carefully considered light colour,

Our tunable white LED strip range combines extra warm white and daylight LED chips on the same PCB board.

Its efficiency, light output quality and dynamic colour temperature variation from 2500k to 6000k, opens a new dimension for light. This range is recommended for installations that require a contrast between warm white and cool white lighting. Each LED strip comes with a high Colour Rendering Index (CRI) as standard, allowing for a crisp finish throughout the colour scale.

**MATCH YOUR LST-3TW LED STRIP
WITH THE MOST SUITABLE
ALUMINIUM PROFILE**



TUNABLE WHITE LED STRIP 9.6W/M

LST-3TW

COMPATIBILITY OVERVIEW

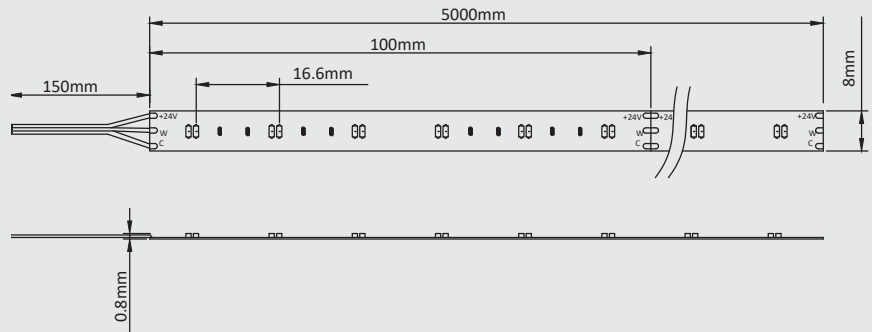
Profile	LST-3TW	LST-3IPTW
AL-0	N	N
AL-1	D	D
AL-2	D	D
AL-3	D	D
AL-4	D	D
AL-5	D	D
AL-6	L	L
AL-7	D	D
AL-8	L	L
AL-9	D	N
ALS-5	L	L
ALS-6I	L	L
ALP-6	L	L

N - NOT COMPATIBLE
D - COMPATIBLE, DOTTED EFFECT
L - COMPATIBLE, LINEAR EFFECT

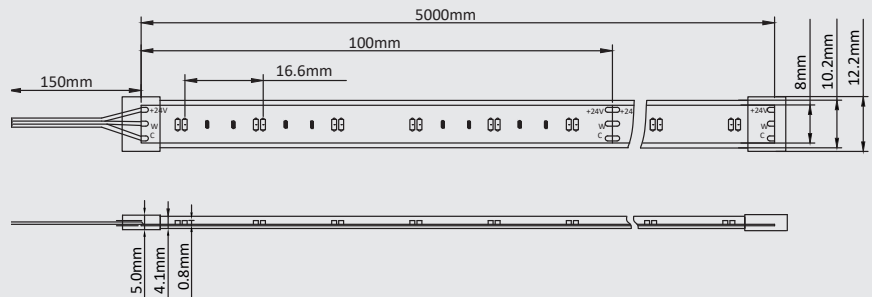


TECHNICAL DRAWING

IP20



IP65



**FULFILLING THE HIGHEST
EXPECTATIONS**

»» 2216 CHIP



TECHNICAL SPECIFICATION

Max Wattage	9.6 W/m
LED Chip	SMD 2216 tunable white
LEDs per meter	120LEDs
Construction	PCB and silicone
IP rating	IP20/IP65
Fixture	Self Adhesive (300MP)
Voltage	24V
Dimension	5m
Cut	Every 100mm
Colour Rendering Index	Ra > 90
Beam Angle	120°
Energy Efficiency Rating	A+
Estimated Life	50.000 hours
Operating temperature	-20~+45°C
Maximum run length	15m



PRODUCT CODE

Product Code	IP Rating	CCT	Lumens/m	Lumens/W
LST-3TW	IP20	2700K	360 lm	37.5 lm/W
		6500K	410 lm	42.7 lm/W
LST-3IPTW	IP65	2700K	355 lm	36.9 lm/W
		6500K	405 lm	42.1 lm/W

**MATCH YOUR LST-5TW LED STRIP
WITH THE MOST SUITABLE
ALUMINIUM PROFILE**



COMPATIBILITY OVERVIEW

Profile LST-5TW

AL-0	N
AL-1	D
AL-2	L
AL-3	L
AL-4	L
AL-5	D
AL-6	L
AL-7	D
AL-8	L
AL-9	N
ALS-5	L
ALS-6I	L
ALP-6	L

N - NOT COMPATIBLE
D - COMPATIBLE, DOTTED EFFECT
L - COMPATIBLE, LINEAR EFFECT

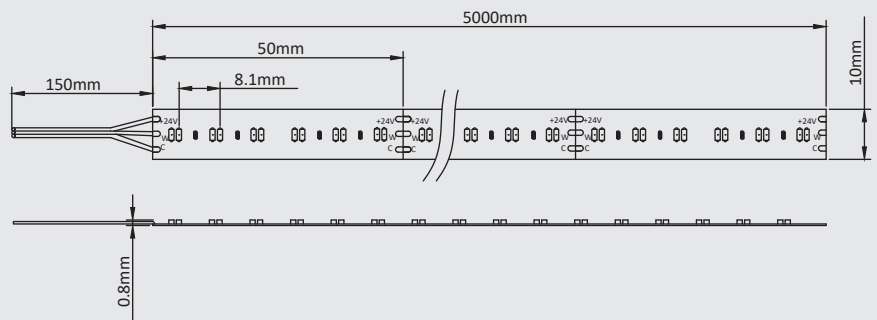
TUNABLE WHITE LED STRIP 19.2W/M

LST-5TW



TECHNICAL DRAWING

IP20



INSPIRING THE CREATIVITY
WITH DIFFERENT SHADES OF WHITE

»» 2216 CHIP



TECHNICAL SPECIFICATION

Max Wattage	19.2 W/m
LED Chip	SMD 2216 tunable white
LEDs per meter	240 LEDs
Construction	PCB
IP rating	IP20
Fixture	Self Adhesive (300MP)
Voltage	24V
Dimension	5m
Cut	Every 50mm
Colour Rendering Index	Ra > 90
Beam Angle	120°
Energy Efficiency Rating	A+
Estimated Life	50.000 hours
Operating temperature	-20~+45°C
Maximum run length	15m



PRODUCT CODE

Product Code	IP Rating	CCT	Lumens/m	Lumens/W
LST-5TW	IP20	2700K	720 lm	75 lm/W
		6500K	820 lm	85 lm/W

Express your mood in COLOURS

RGB, RGBW AND RGBCT LED STRIP

GREAT LIGHTING CAN NOT ONLY BRIGHTEN UP A SPACE, BUT CAN BE USED TO HEIGHTEN THE LEVEL OF ATTENTION AND IMPROVE THE PERCEPTION OF THE ROOM.

RGB, RGBW AND RGBCCT LED STRIP



RGB, RGBW or RGBCCT LED strip can provide a harmonious, uniform light for restaurants, retail stores, offices and homes accentuating a feature or enhancing the mood.

A simple choice of any colour allows you to adjust the lighting to suit your mood, whether you are relaxing and enjoying music, need a stimulating light for an evening with guests, or a calming effect for winding down from work.



**MATCH YOUR LST-2IPRGB LED STRIP
WITH THE MOST SUITABLE
ALUMINIUM PROFILE**



RGB LED STRIP 7.2W/M

LST-2IPRGB

COMPATIBILITY OVERVIEW

Profile LST-2IPRGB

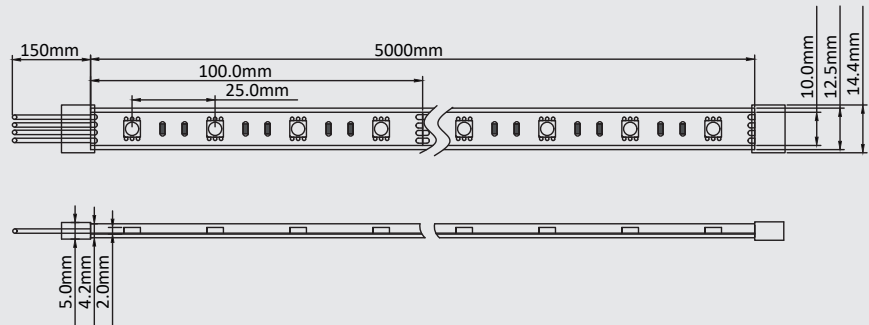
AL-0	N
AL-1	D
AL-2	D
AL-3	D
AL-4	D
AL-5	D
AL-6	L
AL-7	D
AL-8	L
AL-9	N
ALS-5	D
ALS-6I	L
ALP-6	L

N - NOT COMPATIBLE
D - COMPATIBLE, DOTTED EFFECT
L - COMPATIBLE, LINEAR EFFECT



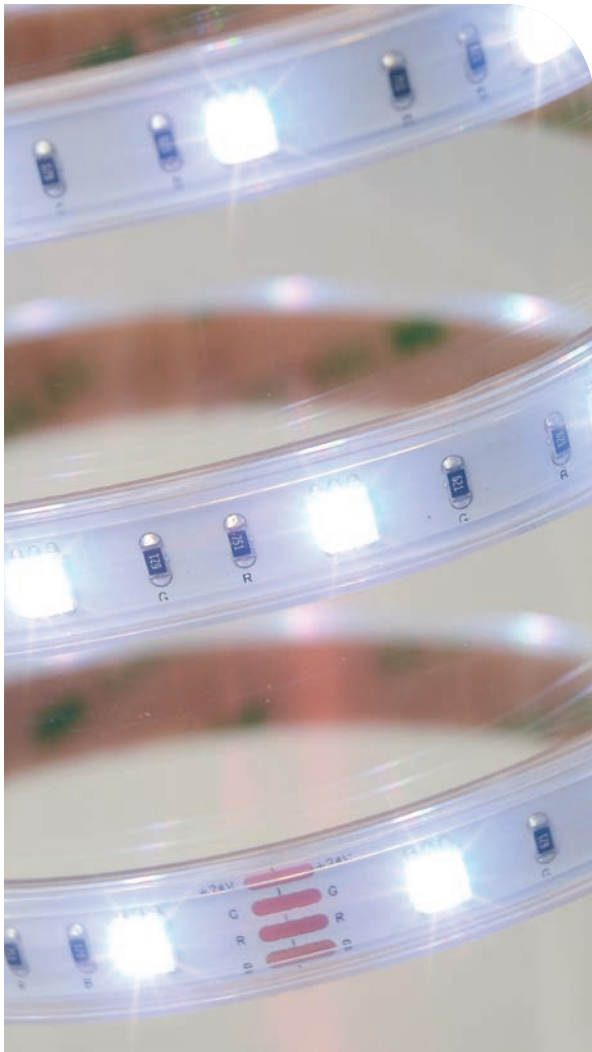
TECHNICAL DRAWING

IP20



CREATE THE
DYNAMIC EFFECT

»» 5050 CHIP



TECHNICAL SPECIFICATION

Max Wattage	7.2 W/m
LED Chip	SMD 5050 RGB
LEDs per meter	40LEDs
Construction	PCB and silicone
IP rating	IP65
Fixture	Self Adhesive (300MP)
Voltage	24V
Dimension	5m
Cut	Every 100mm
Colour Rendering Index	N/A
Beam Angle	120°
Energy Efficiency Rating	A+
Estimated Life	50.000 hours
Operating temperature	-20~+45°C
Maximum run length	15m



PRODUCT CODE

Product Code	IP Rating	CCT	Lumens/m	Lumens/W
LST-2IPRGB	IP65	RGB	140 lm	19 lm/W

**MATCH YOUR LST-4RGB LED STRIP
WITH THE MOST SUITABLE
ALUMINIUM PROFILE**



**COMPATIBILITY
OVERVIEW**

Profile	LST-4RGB	LST-4IPRGB
AL-0	N	N
AL-1	D	D
AL-2	D	D
AL-3	D	D
AL-4	D	D
AL-5	D	D
AL-6	L	L
AL-7	D	D
AL-8	L	L
AL-9	N	N
ALS-5	L	L
ALS-6I	L	L
ALP-6	L	L

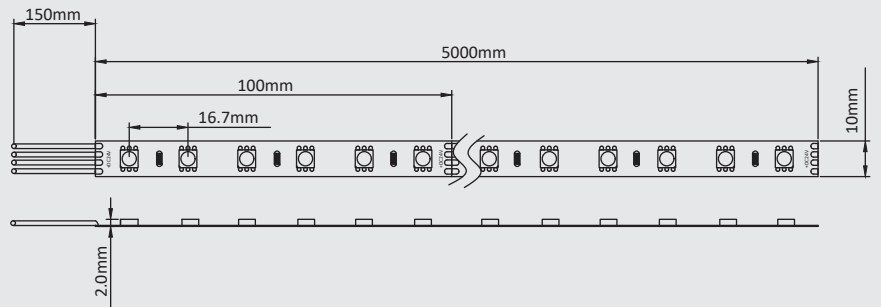
N - NOT COMPATIBLE
D - COMPATIBLE, DOTTED EFFECT
L - COMPATIBLE, LINEAR EFFECT

RGB LED STRIP 14.4W/M

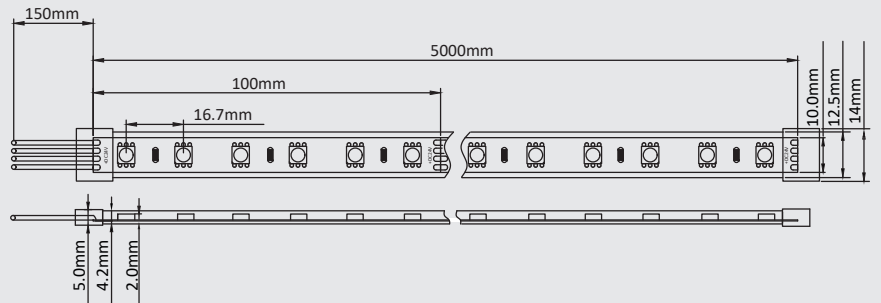
LST-4RGB

TECHNICAL DRAWING

IP20

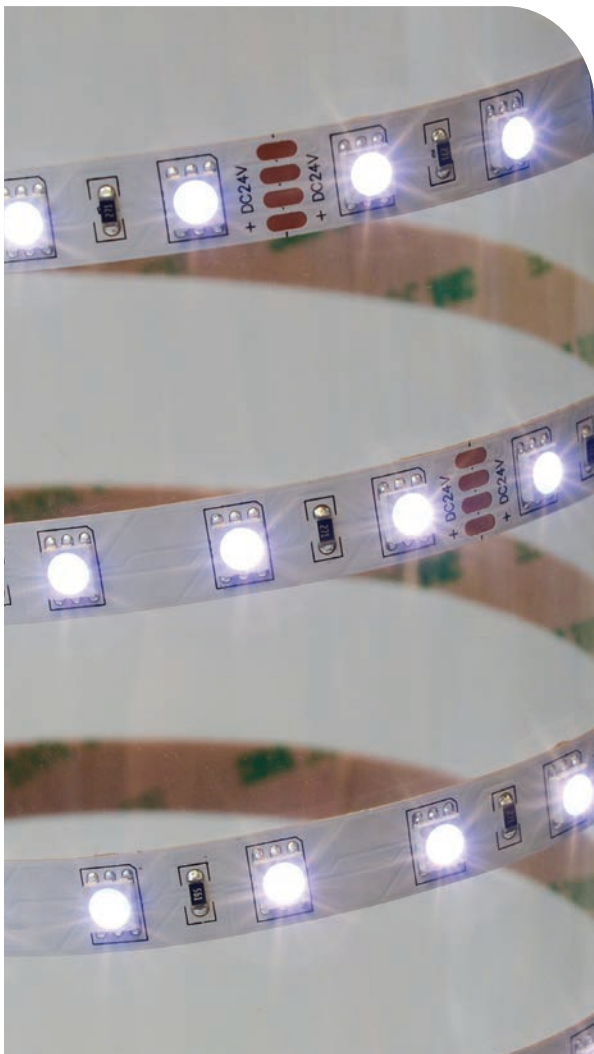


IP65



**FOR A STUNNING VISUAL
EFFECT**

»»» 5050 CHIP



TECHNICAL SPECIFICATION

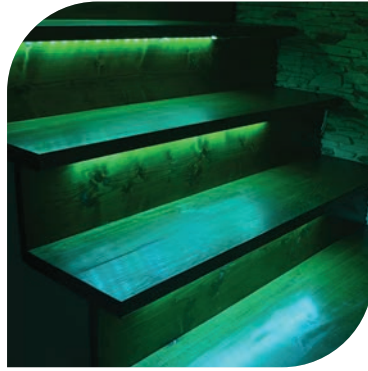
Max Wattage	14.4 W/m
LED Chip	SMD 5050 RGB
LEDs per meter	60 LEDs
Construction	PCB
IP rating	IP20/IP65
Fixture	Self Adhesive (300MP)
Voltage	24V
Dimension	5m
Cut	Every 100mm
Colour Rendering Index	N/A
Beam Angle	120°
Energy Efficiency Rating	A+
Estimated Life	50.000 hours
Operating temperature	-20~+45°C
Maximum run length	12m



PRODUCT CODE

Product Code	IP Rating	CCT	Lumens/ m	Lumens/ W
LST-4RGB	IP20	RGB	506 lm	35 lm/W
LST-4IPRGB	IP65	RGB	460 lm	31 lm/W

**MATCH YOUR LST-6RGB LED STRIP
WITH THE MOST SUITABLE
ALUMINIUM PROFILE**



RGB LED STRIP 28.8W/M

LST-6RGB

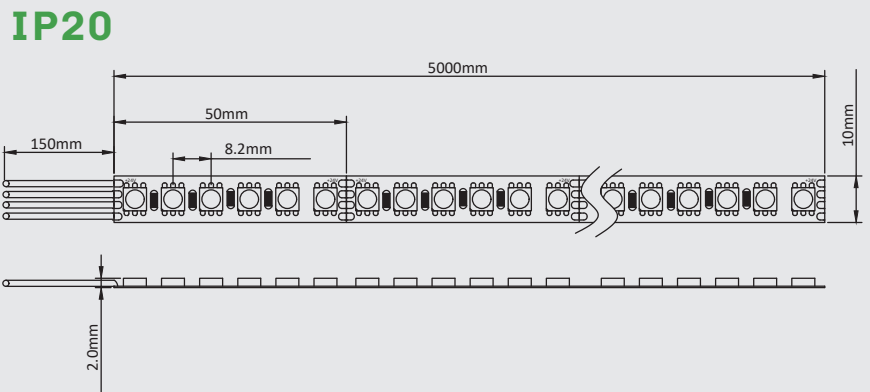
COMPATIBILITY OVERVIEW

Profile	LST-6RGB
AL-0	N
AL-1	N
AL-2	N
AL-3	N
AL-4	N
AL-5	N
AL-6	L
AL-7	N
AL-8	N
AL-9	N
ALS-5	L
ALS-6I	L
ALP-6	L

N - NOT COMPATIBLE
D - COMPATIBLE, DOTTED EFFECT
L - COMPATIBLE, LINEAR EFFECT



TECHNICAL DRAWING



MEET THE NEW
CREATIVITY

»» 5050 CHIP



TECHNICAL SPECIFICATION

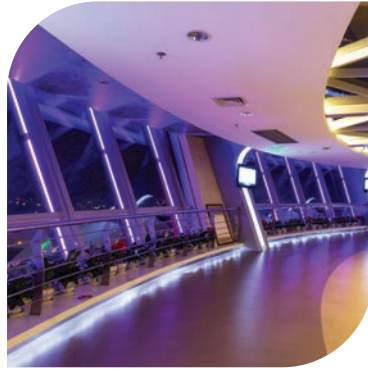
Max Wattage	28.8 W/m
LED Chip	SMD 5050 RGB
LEDs per meter	120 LEDs
Construction	PCB
IP rating	IP20
Fixture	Self Adhesive (300MP)
Voltage	24V
Dimension	5m
Cut	Every 50mm
Colour Rendering Index	N/A
Beam Angle	120°
Energy Efficiency Rating	A+
Estimated Life	50.000 hours
Operating temperature	-20~+45°C
Maximum run length	6m



PRODUCT CODE

Product Code	IP Rating	CCT	Lumens/m	Lumens/W
LST-6RGB	IP20	RGB	850 lm	30 lm/W

**MATCH YOUR LST-4RGBW LED STRIP
WITH THE MOST SUITABLE
ALUMINIUM PROFILE**



RGBW LED STRIP 17.8W/M

LST-4RGBW

COMPATIBILITY OVERVIEW

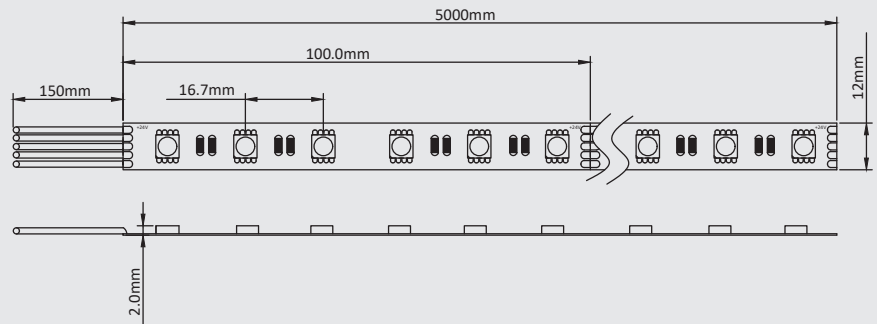
Profile	LST-4 RGBW	LST-4IP RGBW
AL-0	N	N
AL-1	D	N
AL-2	D	N
AL-3	D	D
AL-4	D	N
AL-5	D	D
AL-6	L	L
AL-7	D	N
AL-8	L	N
AL-9	N	N
ALS-5	L	L
ALS-6I	L	L
ALP-6	L	L

N - NOT COMPATIBLE
D - COMPATIBLE, DOTTED EFFECT
L - COMPATIBLE, LINEAR EFFECT

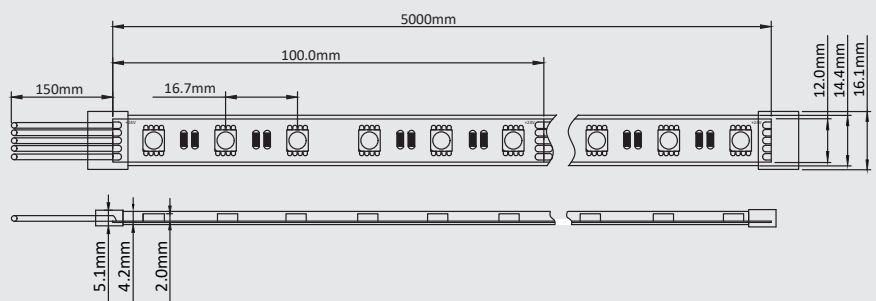


TECHNICAL DRAWING

IP20

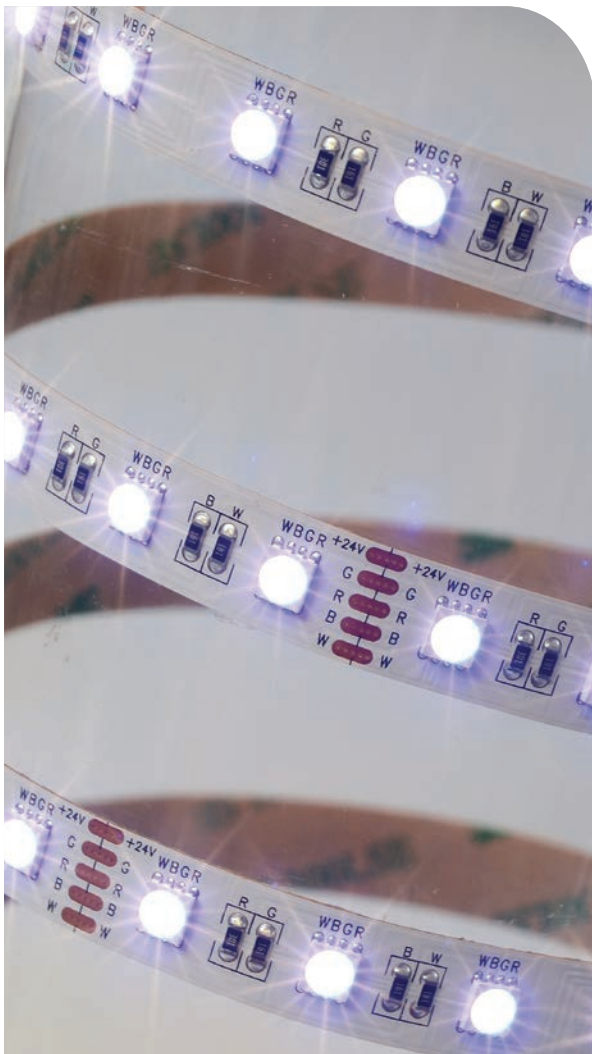


IP65



SUPERB LIGHT DISTRIBUTION
AND WALL GRAZING EFFECT

»» 5050 CHIP



TECHNICAL SPECIFICATION

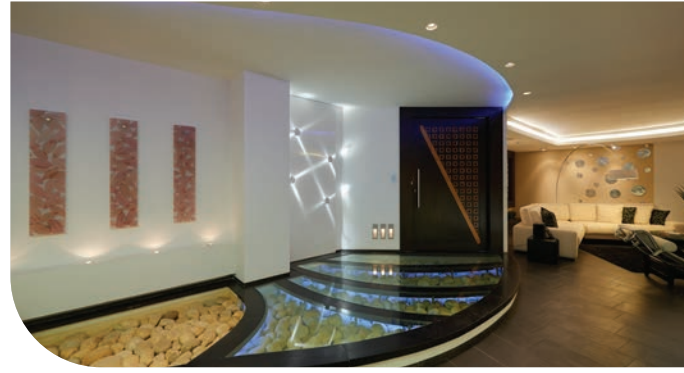
Max Wattage	17.8 W/m
LED Chip	SMD 5050 RGBW
LEDs per meter	60 LEDs
Construction	PCB
IP rating	IP20/IP65
Fixture	Self Adhesive (300MP)
Voltage	24V
Dimension	5m
Cut	Every 100mm
Colour Rendering Index	Ra > 80 (white chip)
Beam Angle	120°
Energy Efficiency Rating	A+
Estimated Life	50.000 hours
Operating temperature	-20~+45°C
Maximum run length	10m



PRODUCT CODE

Product Code	IP Rating	CCT	Lumens/m	Lumens/W
LST-4RGBW	IP20	RGB / 3000K	902 lm	50 lm/W
LST-4IPRGBW	IP65	RGB / 3000K	820 lm	46 lm/W

MATCH YOUR LST-4RGBCCT LED STRIP WITH THE MOST SUITABLE ALUMINIUM PROFILE



RGBCCT LED STRIP 24W/M

LST-4RGBCCT

COMPATIBILITY OVERVIEW

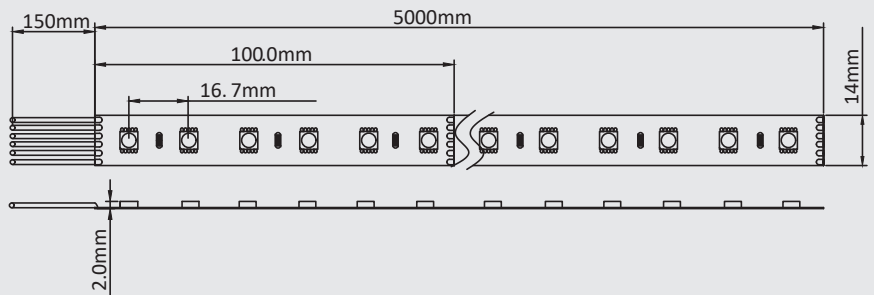
Profile	LST-4RGBCCT
AL-0	N
AL-1	N
AL-2	N
AL-3	D
AL-4	N
AL-5	D
AL-6	L
AL-7	N
AL-8	N
AL-9	N
ALS-5	L
ALS-6I	L
ALP-6	L

N - NOT COMPATIBLE
 D - COMPATIBLE, DOTTED EFFECT
 L - COMPATIBLE, LINEAR EFFECT



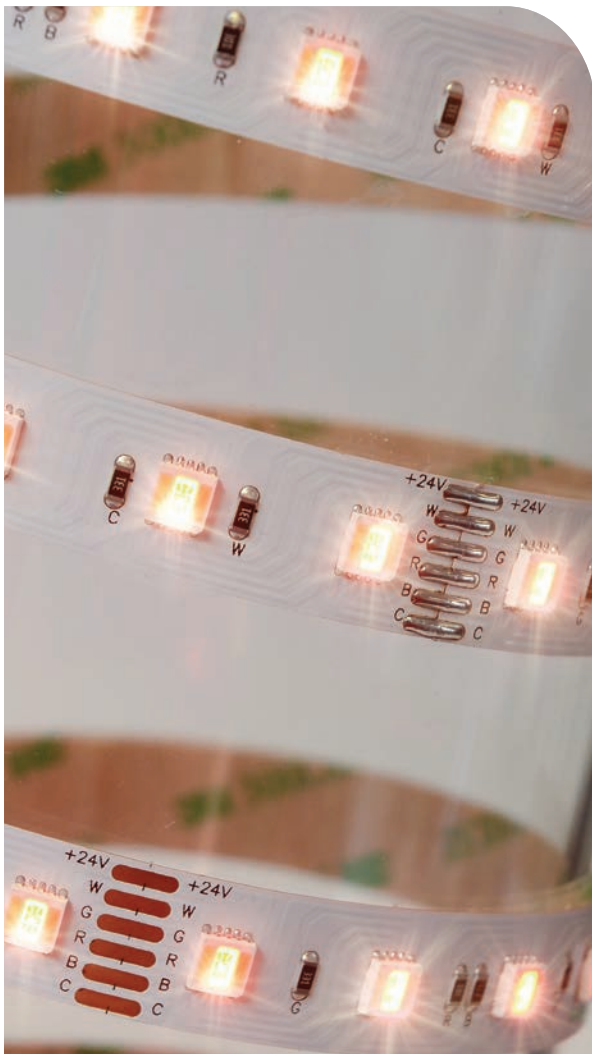
TECHNICAL DRAWING

IP20



GREAT CHOICE FOR
COLOURFUL LINEAR EFFECT

»» 5050 CHIP



TECHNICAL SPECIFICATION

Max Wattage	24 W/m
LED Chip	SMD 5050 RGB CCT
LEDs per meter	60 LEDs
Construction	PCB
IP rating	IP20
Fixture	Self Adhesive (300MP)
Voltage	24V
Dimension	5m
Cut	Every 100mm
Colour Rendering Index	Ra > 80 (CW and WW chip)
Beam Angle	120°
Energy Efficiency Rating	A+
Estimated Life	50.000 hours
Operating temperature	-20~+45°C
Maximum run length	10m



PRODUCT CODE

Product Code	IP Rating	CCT	Lumens/m	Lumens/W
LST-4RGB CCT	IP20	RGB CCT/ 2400K/ 6500K	1440 lm	60 lm/W

LED strip accessories

CONNECTORS FOR LED STRIP

Teucer LED strip connectors save both time and effort as they remove the need for soldering. Just cut your LED strip to the desired length and simply attach the clips for a safe, fast and easy install.

These connectors can be used for extending strip lengths and are also useful for corner installations.

It is possible to use the LED strip connectors on both IP20 and IP65 LED strips, however, if used on IP65 rated strips, the IP rating will be diminished (unless resealed to an IP65 rating).



The Next
SMALL THING

**STANDARD
CONNECTORS**

Code	Compatible strips	LED strip code
LS-10	single colour 8mm	LST-1(4.8W), LST-3(9.6W), LST-3N(9.6W)
LS-20	single colour 10mm	LST-4(12W)
LS-20(TW)	tunable white 10mm	LST-5TW(19.2W)
LS-30	RGB 10mm	LST-4RGB(14.4W)
LS-30(RGBW)	RGBW 12mm	LST-4RGBW(17.8W)



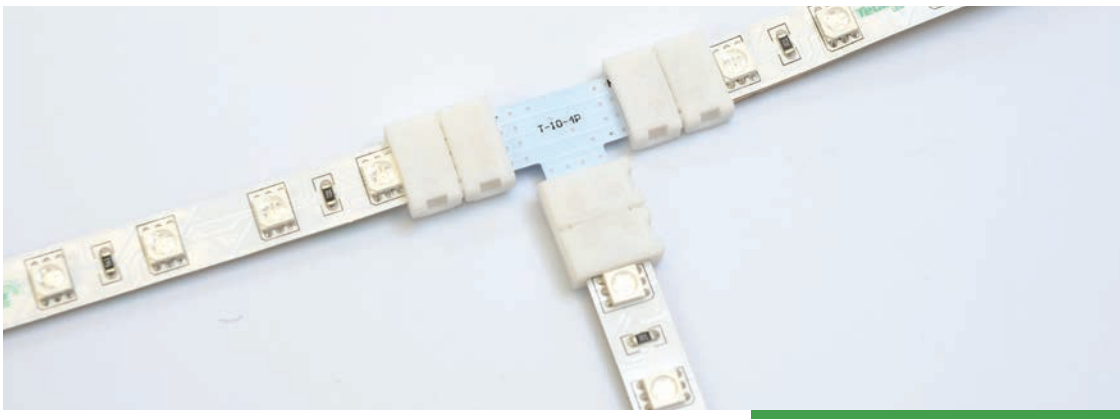
Code	Compatible strips	LED strip code
LS-13	single colour 8mm	LST-1(4.8W), LST-3(9.6W), LST-3N(9.6W)
LS-23	single colour 10mm	LST-4(12W)
LS-33	RGB 10mm	LST-4RGB(14.4W)
LS-33(RGBW)	RGBW 12mm	LST-4RGBW(17.8W)



**CORNER
CONNECTORS**

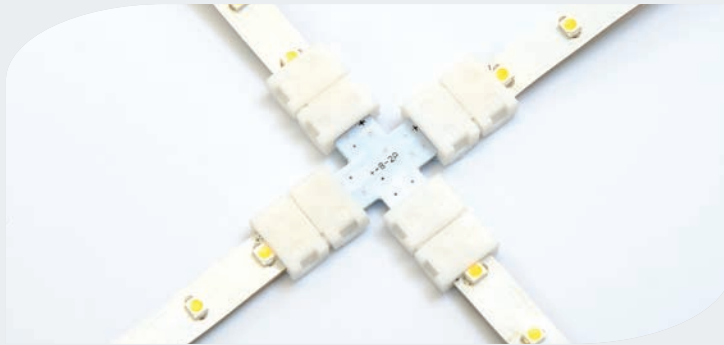
T - CONNECTORS

Code	Compatible strips	LED strip code
LS-14	single colour 8mm	LST-1(4.8W), LST-3(9.6W), LST-3N(9.6W)
LS-24	single colour 10mm	LST-4(12W)
LS-34	RGB 10mm	LST-4RGB(14.4W)
LS-34(RGBW)	RGBW 12mm	LST-4RGBW(17.8W)



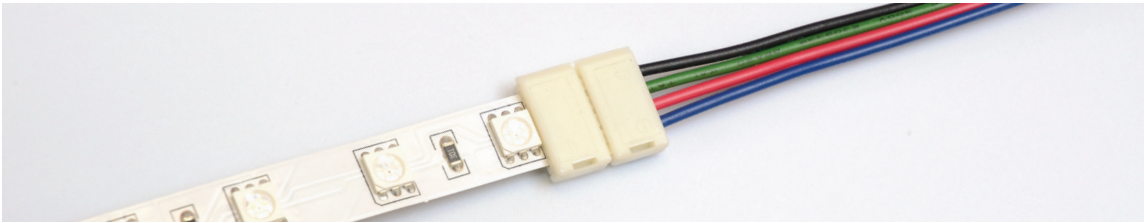
LED STRIP ACCESSORIES

Code	Compatible strips	LED strip code
LS-15	single colour 8mm	LST-1(4.8W), LST-3(9.6W), LST-3N(9.6W)
LS-25	single colour 10mm	LST-4(12W)
LS-35	RGB 10mm	LST-4RGB(14.4W)
LS-35(RGBW)	RGBW 12mm	LST-4RGBW(17.8W)



**CROSS
CONNECTORS**

Code	Compatible strips	LED strip code	Cable Length
LS-11	single colour 8mm	LST-1(4.8W), LST-3(9.6W), LST-3N(9.6W)	15cm
LS-11(50)	single colour 8mm	LST-1(4.8W), LST-3(9.6W), LST-3N(9.6W)	50cm
LS-21	single colour 10mm	LST-4(12W)	15cm
LS-21(50)	single colour 10mm	LST-4(12W)	50cm
LS-21(TW)	tunable white 10mm	LST-5TW(19.2W)	15cm
LS-31	RGB 10mm	LST-4RGB(14.4W)	15cm
LS-31(50)	RGB 10mm	LST-4RGB(14.4W)	50cm
LS-31(RGBW)	RGBW 12mm	LST-4RGBW(17.8W)	15cm



SINGLE SIDED CONNECTORS WITH CABLE

Code	Compatible strips	LED strip code	Cable Length
LS-12	single colour 8mm	LST-1(4.8W), LST-3(9.6W), LST-3N(9.6W)	15cm
LS-22	single colour 10mm	LST-4(12W)	15cm
LS-32	RGB 10mm	LST-4RGB(14.4W)	15cm
LS-32(RGBW)	RGBW 12mm	LST-4RGBW(17.8W)	15cm



DOUBLE SIDED CONNECTORS WITH CABLE



Redefine Spaces

FLEX LINEAR LED STRIP IS THE PERFECT PRODUCT FOR SEAMLESS LINEAR EFFECT. IT GIVES YOU FREEDOM TO CREATE STUNNING VISUAL EFFECTS IN ALL APPLICATIONS.

LINEAR EFFECT **FLEX LINEAR**

Our Flex linear LED strip features an efficient linear effect with a stylish design and high lumen output. It is designed to provide flexible, high quality linear lighting for a wide variety of applications such as cove lighting and fluorescent retrofit lighting in hotels, restaurants, stores, offices and homes, etc.

It is fully dimmable, highly UV-resistant and available in warm white (3000K) and cool white (4000K).

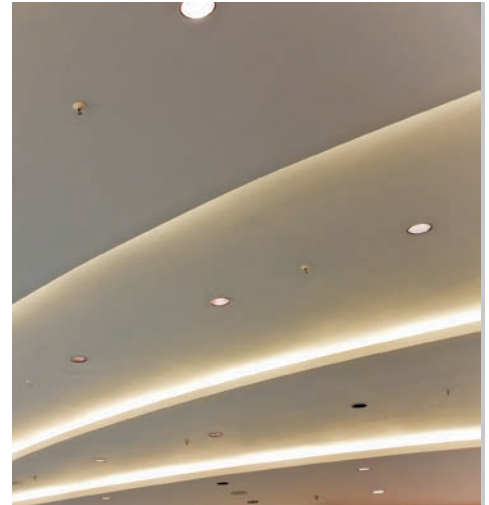
This stylish and versatile LED strip has a long life and is easy to install. It is based on high-performance silicone extruded technology and specially designed for linear lighting. It is available in both top view and side view versions.

FLEX LINEAR

LED STRIP 15W/M

FEATURES

- Fully dimmable
- Highly UV-resistant
- Linear light distribution
- Suitable for long runs (max run 8m)
- Easy to customise
- Cut points every 50mm
- 3M adhesive for durable bonding
- Constructed with silicone extruded technology
- IP65 rating
- It comes complete with brackets
- No aluminium profile required
- Side view and top view versions available



APPLICATION EXAMPLES

- Architectural lighting
- Decorative lighting
- Backlighting
- Event lighting

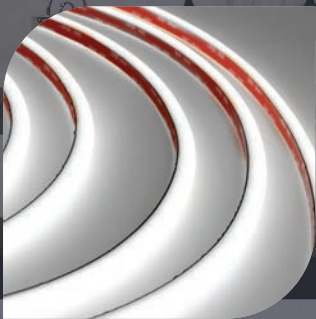


Flex linear

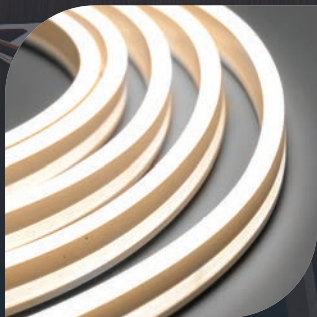
LED STRIP 15W/M



1 TOP VIEW



2 SIDE VIEW



PRODUCT CODES

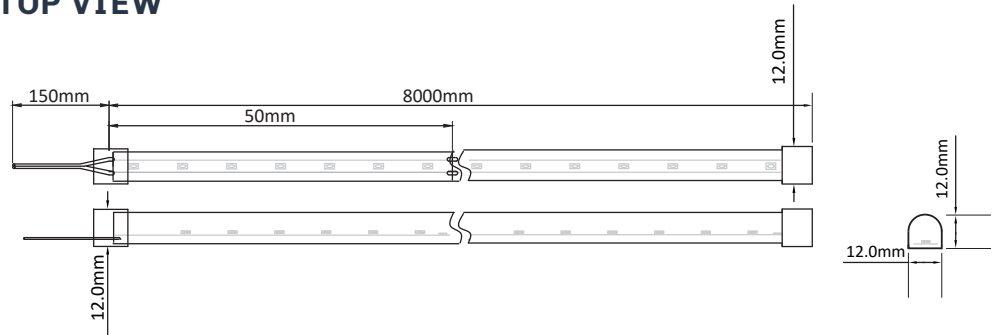
Product Code	IP Rating	CCT	Lumens/m	Lumens/W
FLTV-4WW24K	IP65	2400K	825 lm	55 lm/W
FLTV-4WW30K	IP65	3000K	945 lm	63 lm/W
FLTV-4CW	IP65	4000K	1005 lm	67 lm/W
FLSV-4WW24K	IP65	2400K	730 lm	48 lm/W
FLSV-4WW30K	IP65	3000K	789 lm	52 lm/W
FLSV-4CW	IP65	4000K	800 lm	53 lm/W

TECHNICAL SPECIFICATION

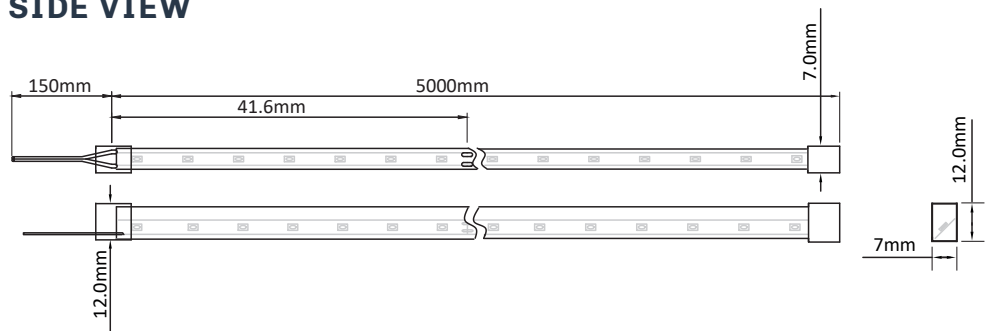
	TOP VIEW	SIDE VIEW
Max Wattage	15 W/m	15 W/m
LED Chip	SMD 2835	SMD 2835
LEDs per meter	140 LEDs	168 LEDs
Construction	PCB	PCB
IP rating	IP65	IP65
Fixture	Self Adhesive 3M VHB	Self Adhesive 3M VHB
Voltage	24V	24V
Dimension	8m	5m
Cut	Every 50mm	Every 41.6mm
Colour Rendering Index	Ra > 90	Ra > 90
Beam Angle	160°	160°
Energy Efficiency Rating	A+	A+
Estimated Life	35.000 hours	35.000 hours
Maximum run length	8m	5m

Technical DRAWING

TOP VIEW



SIDE VIEW



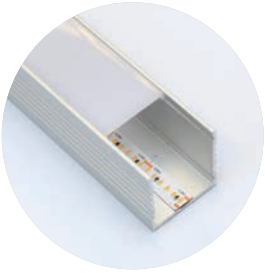
WIDE RANGE HIGH QUALITY

TEUCER ALUMINIUM PROFILES ARE MADE FROM A 6063 ALUMINIUM ALLOY. DUE TO ITS ANTI CORROSIVE RESISTANCE, GOOD HEAT RETENTION AND WORKABLE PROPERTIES, IT ENSURES AN EASY BUT DURABLE INSTALLATION.

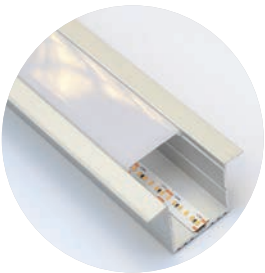
OUR DIFFUSERS ARE MADE FROM POLYCARBONATE AND ARE AVAILABLE IN OPAL, FROSTED AND CLEAR.

**HIGH
QUALITY**

A WIDE
RANGE OF
HIGH QUALITY
ANODISED
ALUMINIUM
PROFILES FOR
DIFFERENT
APPLICATIONS

**1****Surface mounted**

Surface mounted aluminium profiles require little installation preparation and are simple to use.

**2****Recessed**

Recessed aluminium profiles are our most popular LED strip mounting channel.

Aluminium PROFILES

**3****Shallow profiles**

Shallow aluminium profiles are designed to hide and protect LED strip.

**4****Floor mounted**

With floor mounted profiles it is easy to ensure a stunning effect even in the floor.

**5****Modular profiles**

Modular profiles come with modular connectors, making it ideal for corner applications.

CHOOSE OPAL DIFFUSERS TO PREVENT GLARE

ALUMINIUM PROFILE

AL-0

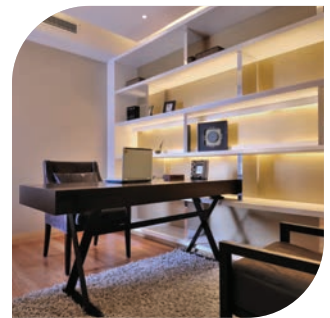


TECHNICAL SPECIFICATION

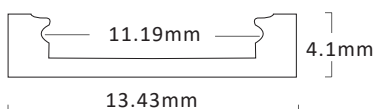
Code	AL-0/1M	AL-0/2M
Length	1m	2m
Construction	anodised aluminium 6063	
IP rating	IP20	

>>> Compatible strips:

LST-1 (4.8W)



DIMENSIONS



The AL-0 profile is ideal for hidden applications and is used purely for heat dissipation as it does not feature a diffuser.



Compatible strips

Single colour strip
LST-1 (4.8W) - D



TECHNICAL SPECIFICATION

Surface mounted	AL-1/1M	AL-1/2M
Inset	AL-1i/1M	AL-1i/2M
Length	1m	2m
Construction	anodised aluminium 6063	
IP rating	IP20	

COMPATIBLE DIFFUSERS

Code	Length	Finish
DIF-C/1M	1m	clear
DF-F/1M	1m	frosted
DIF-O/1M	1m	opal
DIF-C/2M	2m	clear
DIF-F/2M	2m	frosted
DIF-O/2M	2m	opal

ACCESSORIES

Code	Profile	Item
AL-1/CLIP	Surface mounted	Two mounting clips, 1 pc end cap with hole & 1 pc end cap without hole
AL-1i/ENDCAPS	Inset	1 pc end cap with hole & 1 pc end cap without hole

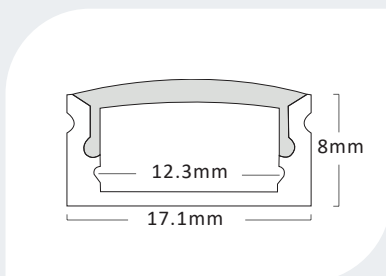
The AL-1 and AL-1i are discreet profiles with shallow depth, making them ideal for use in installations where the profile is required to be less visible or not visible at all, only the light output is. These profiles are ideal for use with lower wattage LED strips.



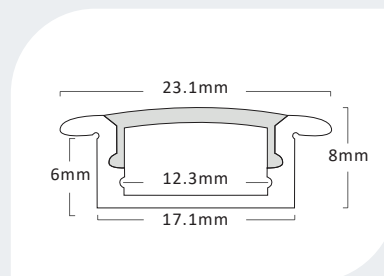
ALUMINIUM PROFILES

AL-1 & AL-1i

DIMENSIONS



Surface mounted



Recessed

Compatible strips

Single colour strip

LST-1 (4.8W) - D
 LST-1IP (4.8W) - D
 LST-3 (9.6W) - D
 LST-3IP (9.6W) - D
 LST-3(N) (9.6W) - D
 LST-3IP(N) (9.6W) - D
 LST-4(S) (12W) - D
 LST-4IP(S) (12W) - D
 LST-4Z (10W) - D
 LST-5 (19.2W) - L
 LST-5IP (19.2W) - L
 LST-5(N) (19.2W) - L

Tunable white strip

LST-3TW (9.6W) - D
 LST-3IPTW (9.6W) - D
 LST-5TW (19.2W) - D

RGB strip

LST-2IPRGB (7.2W) - D
 LST-4RGB (14.4W) - D
 LST-4IPRGB (14.4W) - D

RGBW strip

LST-4RGBW (17.8W) - D

D = Dotted Effect
 L = Linear Effect



TECHNICAL SPECIFICATION

Surface mounted	AL-2/1M	AL-2/2M
Inset	AL-2i/1M	AL-2i/2M
Length	1m	2m
Construction	anodised aluminium 6063	
IP rating	IP20	

COMPATIBLE DIFFUSERS

Code	Length	Finish
DIF-C/1M	1m	clear
DF-F/1M	1m	frosted
DIF-O/1M	1m	opal
DIF-C/2M	2m	clear
DIF-F/2M	2m	frosted
DIF-O/2M	2m	opal

ACCESSORIES

Code	Profile	Item
AL-2/Clip	Surface mounted	Two mounting clips, 1 pc end cap with hole & 1 pc end cap without hole
AL-2i/ENDCAPS	Inset	1 pc end cap with hole & 1 pc end cap without hole

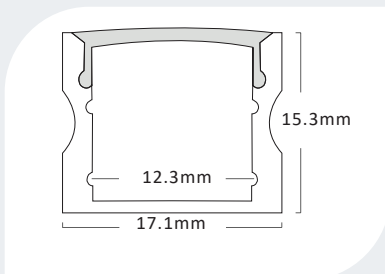
AL-2 and AL-2i are versatile profiles, which can be used with a multitude of our LED strips and produce a linear effect.



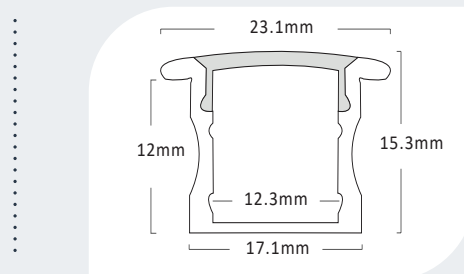
ALUMINIUM PROFILES

AL-2 & AL-2i

DIMENSIONS



Surface mounted



Recessed

Compatible strips

Single colour strip

LST-1 (4.8W) - D
 LST-1IP (4.8W) - D
 LST-3 (9.6W) - L
 LST-3IP (9.6W) - L
 LST-3(N) (9.6W) - L
 LST-3IP(N) (9.6W) - L
 LST-4(S) (12W) - D
 LST-4IP(S) (12W) - D
 LST-4Z (10W) - D
 LST-5 (19.2W) - L
 LST-5IP (19.2W) - L
 LST-5(N) (19.2W) - L

Tunable white strip

LST-3TW (9.6W) - D
 LST-3IPTW (9.6W) - D
 LST-5TW (19.2W) - L

RGB strip

LST-2IPRGB (7.2W) - D
 LST-4RGB (14.4W) - D
 LST-4IPRGB (14.4W) - D

RGBW strip

LST-4RGBW (17.8W) - D

D = Dotted Effect

L = Linear Effect



AL-3 Square diffuser



AL-3 round diffuser

TECHNICAL SPECIFICATION

Code	AL-3/1M	AL-3/2M
Length	1m	2m
Construction	anodised aluminium 6063	
IP rating	IP20	

COMPATIBLE DIFFUSERS

Code	Length	Finish
DIF-3SO/1M	1m	opal, square
DIF-3SO/2M	2m	opal, square
DIF-3RO/1M	1m	opal, round
DIF-3RO/2M	2m	opal, round

ACCESSORIES

Code	Item
AL-3S/CLIP	Two mounting clips, 1 pc end cap with hole & 1 pc end cap without hole
AL-3R/CLIP	Two mounting clips, 1 pc end cap with hole & 1 pc end cap without hole

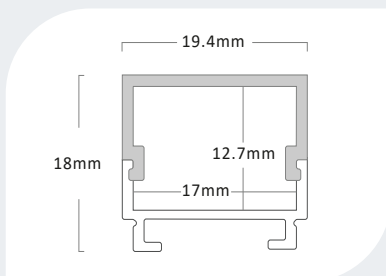
The AL-3 is one of our most attractive surface mounted profiles which allow for a 3D effect so the light output can be viewed from various directions making it a worthy addition to projects that require an elegant looking product. The AL-3 aluminium profile can be used with a 3D square or 3D round opal diffuser which can offer a seamless linear effect light output.



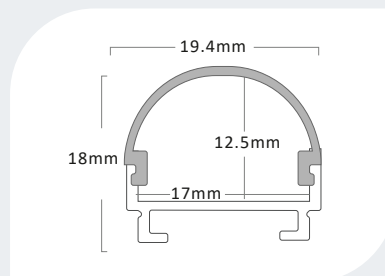
ALUMINIUM PROFILES

AL-3

DIMENSIONS



AL-3 with square
diffuser



AL-3 with round
diffuser

Compatible strips

Single colour strip

LST-1 (4.8W) - D
 LST-1IP (4.8W) - D
 LST-3 (9.6W) - L
 LST-3IP (9.6W) - L
 LST-3(N) (9.6W) - L
 LST-3IP(N) (9.6W) - L
 LST-4(S) (12W) - D
 LST-4IP(S) (12W) - D
 LST-4Z (10W) - D
 LST-5 (19.2W) - L
 LST-5IP (19.2W) - L
 LST-5(N) (19.2W) - L

Tunable white strip

LST-3TW (9.6W) - D
 LST-3IPTW (9.6W) - D
 LST-5TW (19.2W) - D

RGB strip

LST-2IPRGB (7.2W) - D
 LST-4RGB (14.4W) - D
 LST-4IPRGB (14.4W) - D

RGBW strip

LST-4RGBW (17.8W) - D
 LST-4IPRGBW (17.8W) - D

RGB CCT strip

LST-4RGB CCT (24W) - D

D = Dotted Effect
 L = Linear Effect

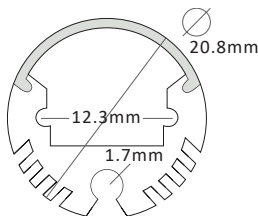
ALUMINIUM PROFILES

AL-4



AL-4

DIMENSIONS



TECHNICAL SPECIFICATION

Code	AL-4/1M	AL-4/2M
Length	1m	2m
Construction	anodised aluminium 6063	
IP rating	IP20	

COMPATIBLE DIFFUSERS

Code	Length	Finish
DIF-4C/1M	1m	clear
DF-4F/1M	1m	frosted
DIF-4C/2M	2m	clear
DIF-4F/2M	2m	frosted

ACCESSORIES

Code	Profile
AL-4/Bracket	(X2) Bracket for wall mounting (AL-4)
AL-4/CLIP	1 pc end cap with hole & 1 pc end cap without hole
AL-4/WIRE	(x2) Steel wire for pendant (AL-4)

The AL-4 profile is a circular profile that can be wall mounted. It is ideal for highlighting features, mirrors or paintings. This profile can also be suspended for feature lighting or task lighting. Each metre of AL-4 comes with 2 mounting clips + 2 end caps as standard.



Compatible strips

Single colour strip

LST-1 (4.8W) - D
 LST-1IP (4.8W) - D
 LST-3 (9.6W) - L
 LST-3IP (9.6W) - L
 LST-3(N) (9.6W) - L
 LST-3IP(N) (9.6W) - L
 LST-4(S) (12W) - D
 LST-4IP(S) (12W) - D
 LST-4Z (10W) - D
 LST-5 (19.2W) - L
 LST-5IP (19.2W) - L
 LST-5(N) (19.2W) - L

Tunable white strip

LST-3TW (9.6W) - D
 LST-3IPTW (9.6W) - D
 LST-5TW (19.2W) - L

RGB strip

LST-2IPRGB (7.2W) - D
 LST-4RGB (14.4W) - D
 LST-4IPRGB (14.4W) - D

RGBW strip

LST-4RGBW (17.8W) - D

D = Dotted Effect
 L = Linear Effect





AL-5



AL-5i

TECHNICAL SPECIFICATION

Surface mounted	AL-5/1M	AL-5/2M
Inset	AL-5i/1M	AL-5i/2M
Length	1m	2m
Construction	anodised aluminium 6063	
IP rating	IP20	

COMPATIBLE DIFFUSERS

Code	Length	Finish
DIF-5C/1M	1m	clear
DIF-5F/1M	1m	frosted
DIF-5O/1M	1m	opal
DIF-5C/2M	2m	clear
DIF-5F/2M	2m	frosted
DIF-5O/2M	2m	opal

ACCESSORIES

Code	Profile	Item
AL-5/CLIP	Surface mounted	Two mounting clips, 1 pc end cap with hole & 1 pc end cap without hole
AL-5i/ENDCAPS	Inset	1 pc end cap with hole & 1 pc end cap without hole

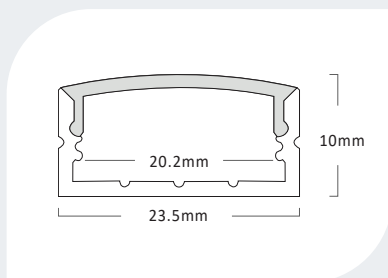
AL-5 and AL-5i are wider profiles which can accommodate most of our LED strips. These profiles are ideal for use in applications that require a high lumen output LED strip but also a shallow depth.



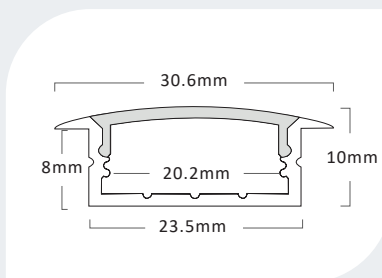
ALUMINIUM PROFILES

AL-5 & AL-5i

DIMENSIONS



Surface mounted



Recessed

Compatible strips

Single colour strip

LST-1 (4.8W) - D
 LST-1IP (4.8W) - D
 LST-3 (9.6W) - D
 LST-3IP (9.6W) - D
 LST-3(N) (9.6W) - D
 LST-3IP(N) (9.6W) - D
 LST-4(S) (12W) - D
 LST-4IP(S) (12W) - D
 LST-4Z (10W) - D
 LST-5 (19.2W) - L
 LST-5IP (19.2W) - L
 LST-5(N) (19.2W) - L

Tunable white strip

LST-3TW (9.6W) - D
 LST-3IPTW (9.6W) - D
 LST-5TW (19.2W) - D

RGB strip

LST-2IPRGB (7.2W) - D
 LST-4RGB (14.4W) - D
 LST-4IPRGB (14.4W) - D

RGBW strip

LST-4RGBW (17.8W) - D
 LST-4IPRGBW (17.8W) - D

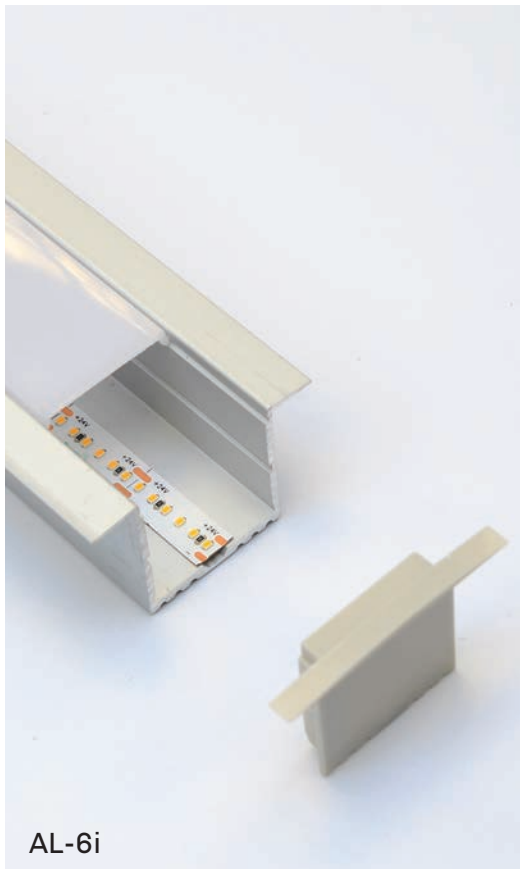
RGB CCT strip

LST-4RGB CCT (24W) - D

D = Dotted Effect
 L = Linear Effect



AL-6



AL-6i

TECHNICAL SPECIFICATION

Surface mounted	AL-6/1M	AL-6/2M
Inset	AL-6i/1M	AL-6i/2M
Length	1m	2m
Construction	anodised aluminium 6063	
IP rating	IP20	

COMPATIBLE DIFFUSERS

Code	Length	Finish
DIF-6C/1M	1m	clear
DIF-6F/1M	1m	frosted
DIF-6O/1M	1m	opal
DIF-6C/2M	2m	clear
DIF-6F/2M	2m	frosted
DIF-6O/2M	2m	opal

ACCESSORIES

Code	Profile	Item
AL-6/ENDCAPS	Surface mounted	1 pc end cap with hole & 1 pc end cap without hole
AL-6/BRACKET	Surface mounted	Two brackets for wall mounting
AL-6/Wire	Surface mounted	(x2) Suspension cable for AL-6.
AL-6i/ENDCAPS	Inset	1 pc end cap with hole & 1 pc end cap without hole

AL-6 and AL-6i are the largest profiles in Teucer's range and are ideal for general lighting. Both can also accommodate more than one LED strip depending on the required power output. These profiles can be suspended using pendant wires or drilled onto surfaces. Each metre of AL-6 comes with 2 end caps as standard.



Compatible strips

Single colour strip

LST-1 (4.8W) - L
 LST-1IP (4.8W) - L
 LST-3 (9.6W) - L
 LST-3IP (9.6W) - L
 LST-3(N) (9.6W) - L
 LST-3IP(N) (9.6W) - L
 LST-4(S) (12W) - L
 LST-4IP(S) (12W) - L
 LST-4Z (10W) - L
 LST-5 (19.2W) - L
 LST-5IP (19.2W) - L
 LST-5(N) (19.2W) - L
 LST-6 (28.8W) - L
 LST-6HL (26W) - L

Tunable white strip

LST-3TW (9.6W) - L
 LST-3IPTW (9.6W) - L
 LST-5TW (19.2W) - L

RGB strip

LST-2IPRGB (7.2W) - L
 LST-4RGB (14.4W) - L
 LST-4IPRGB (14.4W) - L
 LST-6RGB (28.8W) - L

RGBW strip

LST-4RGBW (17.8W) - L
 LST-4IPRGBW (17.8W) - L

RGB CCT strip

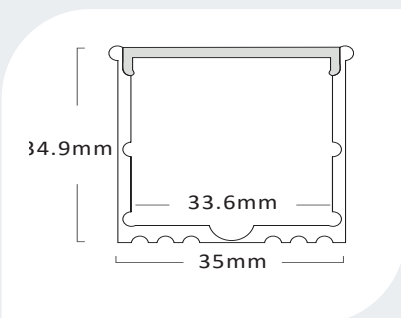
LST-4RGB CCT (24W) - L

D = Dotted Effect
 L = Linear Effect

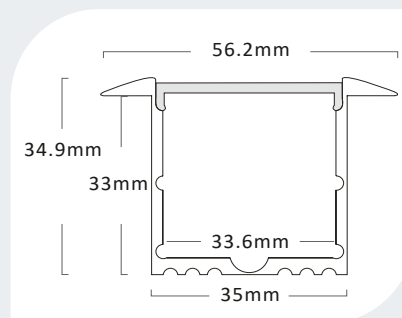
ALUMINIUM PROFILES

AL-6 & AL-6i

DIMENSIONS



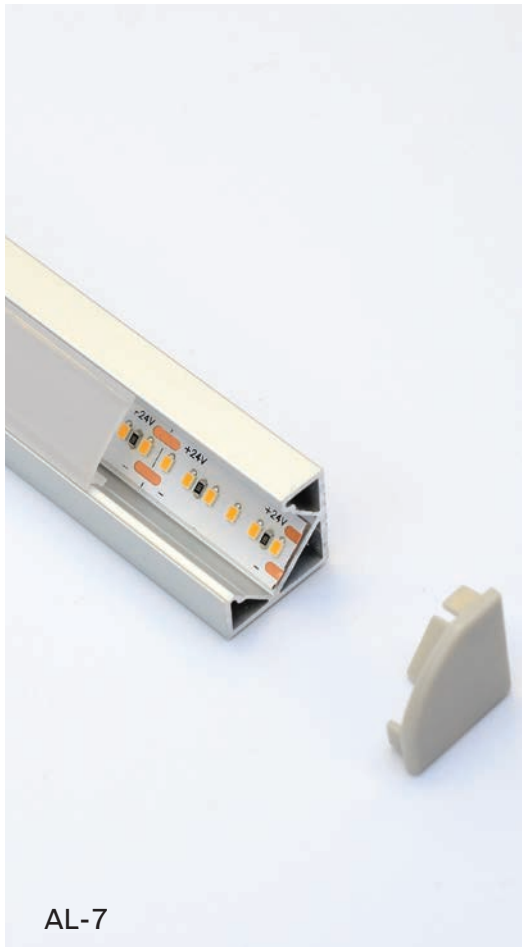
Surface mounted



Recessed

ALUMINIUM PROFILES

AL-7



AL-7

TECHNICAL SPECIFICATION

Code	AL-7/2M
Length	2m
Construction	anodised aluminium 6063
IP rating	IP20

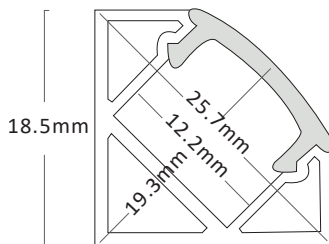
COMPATIBLE DIFFUSERS

Code	Length	Finish
DIF-7C/2M	2m	clear
DIF-7F/2M	2m	frosted
DIF-7O/2M	2m	opal

ACCESSORIES

Code	Item
AL-7/Clip	Two mounting clips, 1 pc end cap with hole & 1 pc end cap without hole

DIMENSIONS



The AL-7 is an angled surface mounted profile that is ideal for use in displays that require illumination from a 90 degree angle. It is suited for illuminating small spaces, wall washing or highlighting displays. Each metre of AL-7 comes with 2 mounting clips + 2 end caps as standard.

Compatible strips

Single colour strip

LST-1 (4.8W) - D
 LST-1IP (4.8W) - D
 LST-3 (9.6W) - L
 LST-3IP (9.6W) - L
 LST-3(N) (9.6W) - L
 LST-3IP(N) (9.6W) - L
 LST-4(S) (12W) - D
 LST-4IP(S) (12W) - D
 LST-4Z (10W) - D
 LST-5 (19.2W) - L
 LST-5IP (19.2W) - L
 LST-5(N) (19.2W) - L

Tunable white strip
 LST-3TW (9.6W) - D
 LST-3IPTW (9.6W) - D
 LST-5TW (19.2W) - D

RGB strip

LST-2IPRGB (7.2W) - D
 LST-4RGB (14.4W) - D
 LST-4IPRGB (14.4W) - D

RGBW strip

LST-4RGBW (17.8W) - D

D = Dotted Effect
 L = Linear Effect

ALUMINIUM PROFILES

AL-8



AL-8

WALKOVER PROFILE

TECHNICAL SPECIFICATION

Code	AL-8/1M	AL-8/2M
Length	1m	2m
Construction	anodised aluminium 6063	
IP rating	IP20	
IP rating	IP20	

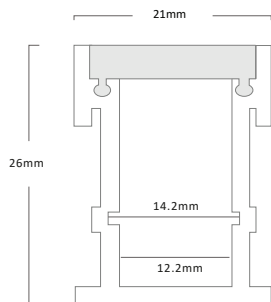
COMPATIBLE DIFFUSERS

Code	Length	Finish
DIF-80/1M	1m	opal
DIF-80/2M	2m	opal

ACCESSORIES

Code	Item
AL-8/ENDCAPS	1 pc end cap with hole & 1 pc end cap without hole

DIMENSIONS



The AL-8 profile is an in-ground aluminium profile suitable for use in all types of floor applications, making it perfect for versatile lighting designs. This profile can also be recessed into walls and ceilings via our recess bracket. Each metre of AL-8 is supplied with 2 mounting clips + 2 end caps as standard.

Compatible strips

Single colour strip

LST-1 (4.8W) - L
LST-1IP (4.8W) - L
LST-3 (9.6W) - L
LST-3IP (9.6W) - L
LST-3(N) (9.6W) - L
LST-3IP(N) (9.6W) - L
LST-4(S) (12W) - L
LST-4IP(S) (12W) - L
LST-4Z (10W) - L
LST-5 (19.2W) - L
LST-5IP (19.2W) - L
LST-5(N) (19.2W) - L

Tunable white strip

LST-3TW (9.6W) - L
LST-3IPTW (9.6W) - L
LST-5TW (19.2W) - L

RGB strip

LST-2IPRGB (7.2W) - L
LST-4RGB (14.4W) - L
LST-4IPRGB (14.4W) - L

RGBW strip

LST-4RGBW (17.8W) - L

D = Dotted Effect
L = Linear Effect

ALUMINIUM PROFILES

AL-9



TECHNICAL SPECIFICATION

Surface mounted	AL-9/2M
Length	2m
Construction	anodised aluminium 6063
IP rating	IP20

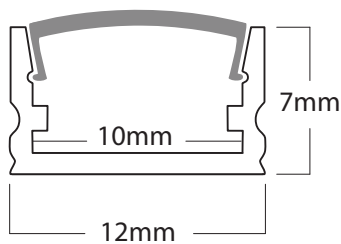
COMPATIBLE DIFFUSERS

Code	Length	Finish
DIF-9C/2M	2m	opal

ACCESSORIES

Code	Profile	Item
AL-9/CLIP	Surface mounted	Two mounting clips, 1 pc end cap with hole & 1 pc end cap without hole

DIMENSIONS



The AL-9 is our slimmest Aluminium profile suitable for those very narrow applications/installations.



Compatible strips

Single colour strip

LST-1 (4.8W) - D

LST-3 (9.6W) - D

LST-3(N) (9.6W) - D

LST-4Z(10W) - D

Tunable white strip

LST-3TW (9.6W) - D

D = Dotted Effect

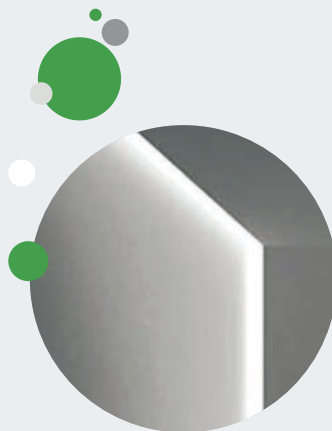
L = Linear Effect



CREATIVITY
» YOU WANT



MODULAR <<< ALUMINIUM PROFILES



—
Our modular aluminium profile range comes with pre-made linear extensions and modular connectors, making it ideal for perfecting the seamless effect along the entire length.

This range comes in a silver colour as standard with polycarbonate opal diffusers as a set. Additional black and white profile options are available on request.

Modular Aluminium profiles

ALS-5



SURFACE MOUNTED / SUSPENDED

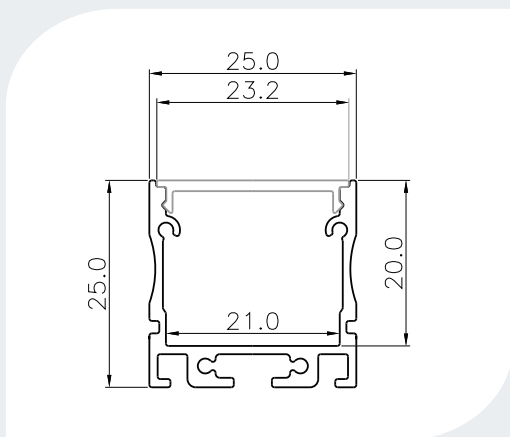


TECHNICAL SPECIFICATION

Code	Description	Dimensions
ALS-5/1M	Modular aluminium profile surface mounted / suspended SET	1m
ALS-5/2M	Modular aluminium profile surface mounted / suspended SET	2m
ALS-5/L90	90° Corner connector SET	20 X 20cm
ALS-5/L90INT	90° Internal corner connector SET	20 X 20cm
ALS-5/L90EXT	90° External corner connector SET	20 X 20cm
ALS-5/X90	X shaped connector SET	40 X 40cm
ALS-5/T90	T shaped connector SET	40 X 20cm
ALS-5/L135	135° Angle connector SET	20 X 20cm
Construction	anodised aluminium 6063 * black * white	
IP rating	IP20	

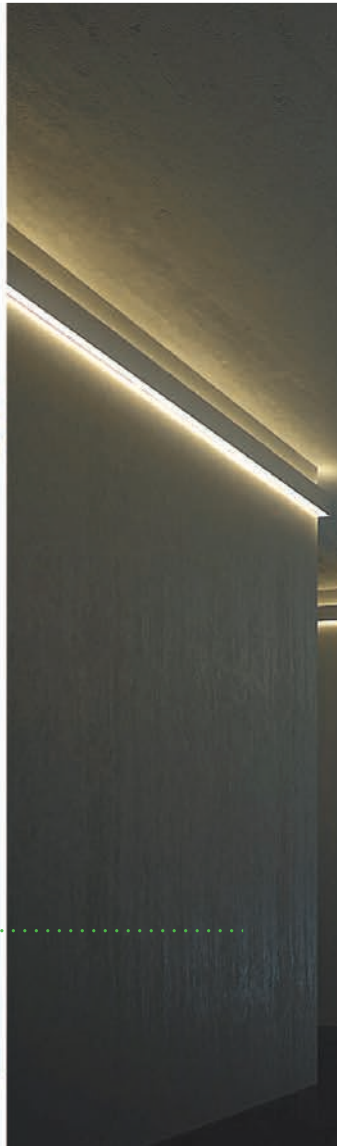
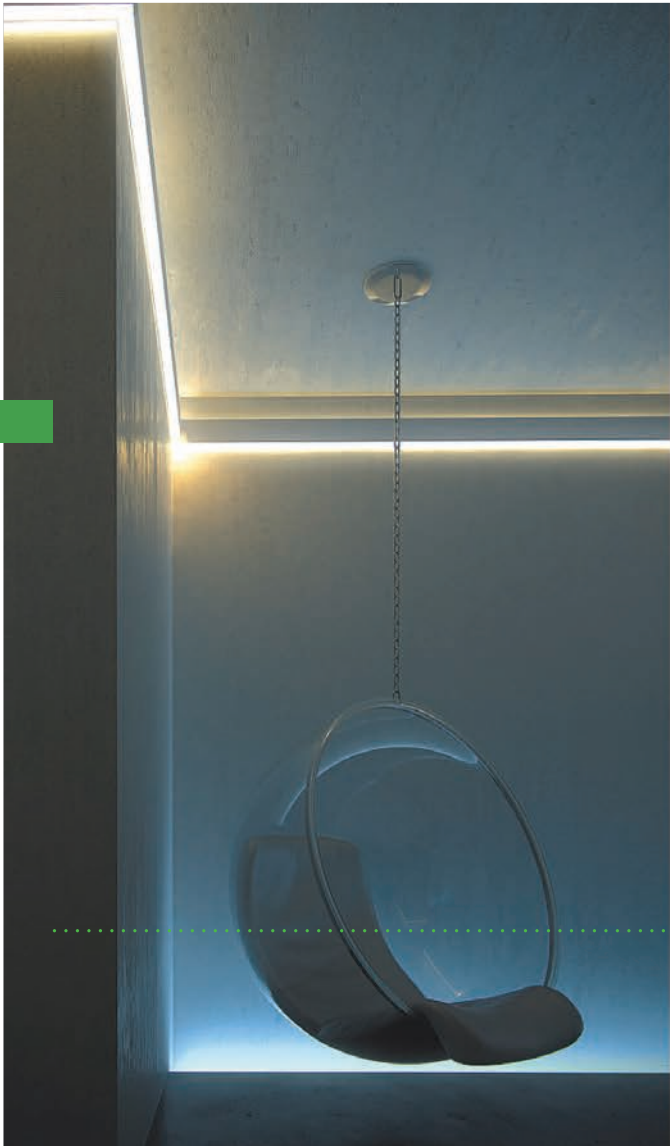
* - available upon request, subject to MOQ
All sets include opal diffusers.

DIMENSIONS



ACCESSORIES

Code	Item
AL-RAIL	Rail connector for ALS-5, ALS-5i, ALS-6i, ALP-6 & ALP-6e
ALS-5/CLIP	Two mounting clips, 2 pcs of end caps for ALS-5
ALS-5/Wire	(X2) Steel wire for pendant (ALS-5)



Compatible strips

Single colour strip

- LST-1 (4.8W) - L
- LST-1IP (4.8W) - L
- LST-3 (9.6W) - L
- LST-3IP (9.6W) - L
- LST-3(N) (9.6W) - L
- LST-3IP(N) (9.6W) - L
- LST-4(S) (12W) - L
- LST-4IP(S) (12W) - L
- LST-4Z (10W) - L
- LST-5 (19.2W) - L
- LST-5IP (19.2W) - L
- LST-5(N) (19.2W) - L
- LST-6 (28.8W) - L
- LST-6HL (26W) - L

Tunable white strip

- LST-3TW (9.6W) - L
- LST-3IPTW (9.6W) - L
- LST-5TW (19.2W) - L

RGB strip

- LST-2IPRGB (7.2W) - D
- LST-4RGB (14.4W) - L
- LST-4IPRGB (14.4W) - L
- LST-6RGB (28.8W) - L

RGBW strip

- LST-4RGBW (17.8W) - L
- LST-4IPRGBW (17.8W) - L

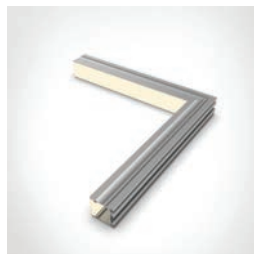
RGBCCT strip

- LST-4RGBCCT (24W) - L

D = Dotted Effect
L = Linear Effect



ALS-5/L90



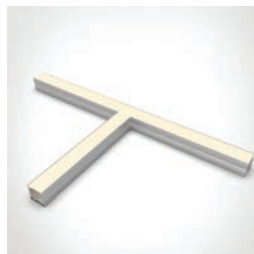
ALS-5/L90INT



ALS-5/L90EXT



ALS-5/X90



ALS-5/T90



ALS-5/L135

Modular Aluminium profiles

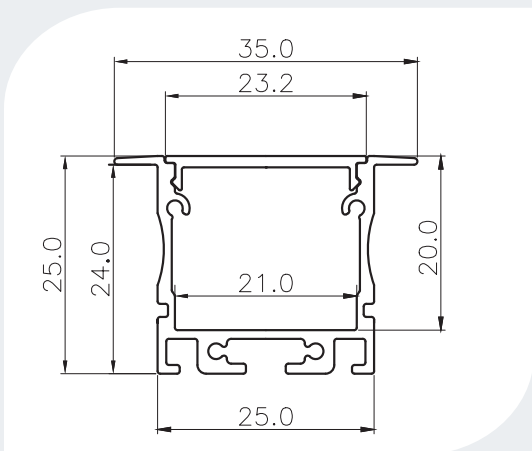
ALS-5i



RECESSED



DIMENSIONS



TECHNICAL SPECIFICATION

Code	Description	Dimensions
ALS-5i/1M	Modular aluminium profile recessed SET	1m
ALS-5i/2M	Modular aluminium profile recessed SET	2m
ALS-5i/L90	90° Corner connector SET	20 X 20cm
ALS-5i/L90INT	90° Internal corner connector SET	20 X 20cm
ALS-5i/L90EXT	90° External corner connector SET	20 X 20cm
ALS-5i/X90	X shaped connector SET	40 X 40cm
ALS-5i/T90	T shaped connector SET	40 X 20cm
ALS-5i/L135	135° Angle connector SET	20 X 20cm

Construction anodised aluminium 6063
 * black
 * white

IP rating IP20

* - available upon request, subject to MOQ
 All sets include opal diffusers.

ACCESSORIES

Code	Item
AL-RAIL	Rail connector for ALS-5, ALS-5i, ALS-6i, ALP-6 & ALP-6e
ALS-5i/ENDCAPS	2 pcs of end caps for ALS-5i
ALS-5i/BRACKET	(x2) Mounting bracket for ALS-5i



Compatible strips

Single colour strip

- LST-1 (4.8W) - L
- LST-1IP (4.8W) - L
- LST-3 (9.6W) - L
- LST-3IP (9.6W) - L
- LST-3(N) (9.6W) - L
- LST-3IP(N) (9.6W) - L
- LST-4(S) (12W) - L
- LST-4IP(S) (12W) - L
- LST-4Z (10W) - L
- LST-5 (19.2W) - L
- LST-5IP (19.2W) - L
- LST-5(N) (19.2W) - L
- LST-6 (28.8W) - L
- LST-6HL (26W) - L

Tunable white strip

- LST-3TW (9.6W) - L
- LST-3IPTW (9.6W) - L
- LST-5TW (19.2W) - L

RGB strip

- LST-2IPRGB (7.2W) - D
- LST-4RGB (14.4W) - L
- LST-4IPRGB (14.4W) - L
- LST-6RGB (28.8W) - L

RGBW strip

- LST-4RGBW (17.8W) - L
- LST-4IPRGBW (17.8W) - L

RGBCCT strip

- LST-4RGBCCT (24W) - L

D = Dotted Effect
L = Linear Effect



ALS-5i/L90



ALS-5i/L90INT



ALS-5i/L90EXT



ALS-5i/X90



ALS-5i/T90



ALS-5i/L135

Modular Aluminium profiles

ALS-6i



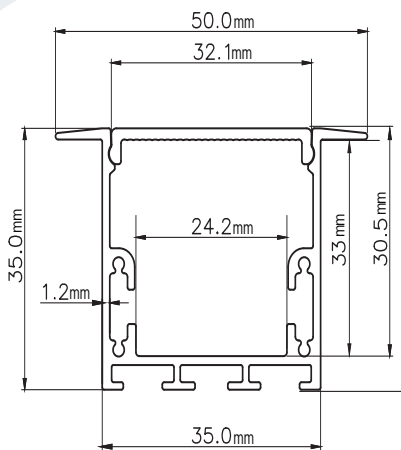
RECESSED



TECHNICAL SPECIFICATION

Code	Description	Dimensions
ALS-6i/1M	Modular aluminium profile recessed SET	1m
ALS-6i/2M	Modular aluminium profile recessed SET	2m
ALS-6i/L90	90° Corner connector SET	20 X 20cm
ALS-6i/L90INT	90° Internal corner connector SET	20 X 20cm
ALS-6i/L90EXT	90° External corner connector SET	20 X 20cm
ALS-6i/X90	X shaped connector SET	40 X 40cm
ALS-6i/T90	T shaped connector SET	40 X 20cm
ALS-6i/L135	135° Angle connector SET	20 X 20cm
Construction	anodised aluminium 6063 * black * white	
IP rating	IP20	

DIMENSIONS



* - available upon request, subject to MOQ
All sets include opal diffusers.

ACCESSORIES

Code	Item
AL-RAIL	Rail connector for ALS-5, ALS-5i, ALS-6i, ALP-6 & ALP-6e
ALS-6i/ENDCAPS	2 pcs of end caps for ALS-6i
ALS-6i/BRACKET	(x2) Mounting bracket for ALS-6i



Compatible strips

Single colour strip

- LST-1 (4.8W) - L
- LST-1IP (4.8W) - L
- LST-3 (9.6W) - L
- LST-3IP (9.6W) - L
- LST-3(N) (9.6W) - L
- LST-3IP(N) (9.6W) - L
- LST-4(S) (12W) - L
- LST-4IP(S) (12W) - L
- LST-4Z (10W) - L
- LST-5 (19.2W) - L
- LST-5IP (19.2W) - L
- LST-5(N) (19.2W) - L
- LST-6 (28.8W) - L
- LST-6HL (26W) - L

Tunable white strip

- LST-3TW (9.6W) - L
- LST-3IPTW (9.6W) - L
- LST-5TW (19.2W) - L

RGB strip

- LST-2IPRGB (7.2W) - L
- LST-4RGB (14.4W) - L
- LST-4IPRGB (14.4W) - L
- LST-6RGB (28.8W) - L

RGBW strip

- LST-4RGBW (17.8W) - L
- LST-4IPRGBW (17.8W) - L

RGBCCT strip

- LST-4RGBCCT (24W) - L

D = Dotted Effect
L = Linear Effect



ALS-6i/L90



ALS-6i/L90INT



ALS-6i/L90EXT



ALS-6i/X90



ALS-6i/T90



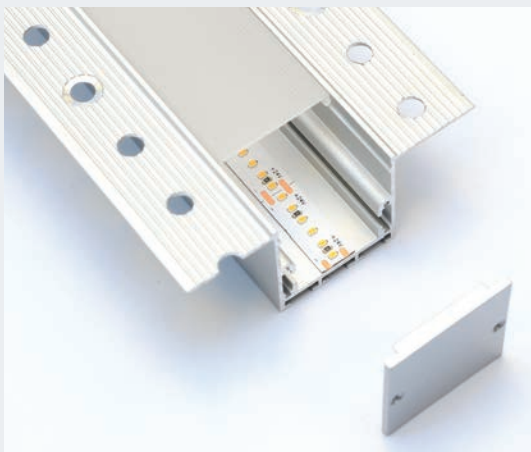
ALS-6i/L135

Modular Aluminium profiles

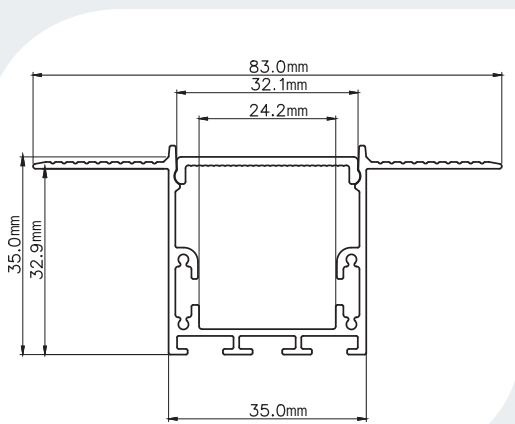
ALP-6



RECESSED



DIMENSIONS



TECHNICAL SPECIFICATION

Code	Description	Dimensions
ALP-6/1M	Modular plasterboard mounted aluminium profile SET	1m
ALP-6/2M	Modular plasterboard mounted aluminium profile SET	2m
ALP-6/L90	90° Corner connector SET	20 X 20cm
ALP-6/L90INT	90° Internal corner connector SET	20 X 20cm
ALP-6/L90EXT	90° External corner connector SET	20 X 20cm
ALP-6/L135	135° Angle connector SET	20 X 20cm
Construction	anodised aluminium 6063 * black * white	
IP rating	IP20	

* - available upon request, subject to MOQ
All sets include opal diffusers.

ACCESSORIES

Code	Item
AL-RAIL	Rail connector for ALS-5, ALS-5i, ALS-6i, ALP-6 & ALP-6e
ALP-6/ENDCAPS	2 pcs of end caps for ALP-6 and ALP-6e



Compatible strips

Single colour strip

- LST-1 (4.8W) - L
- LST-1IP (4.8W) - L
- LST-3 (9.6W) - L
- LST-3IP (9.6W) - L
- LST-3(N) (9.6W) - L
- LST-3IP(N) (9.6W) - L
- LST-4(S) (12W) - L
- LST-4IP(S) (12W) - L
- LST-4Z (10W) - L
- LST-5 (19.2W) - L
- LST-5IP (19.2W) - L
- LST-5(N) (19.2W) - L
- LST-6 (28.8W) - L
- LST-6HL (26W) - L

Tunable white strip

- LST-3TW (9.6W) - L
- LST-3IPTW (9.6W) - L
- LST-5TW (19.2W) - L

RGB strip

- LST-2IPRGB (7.2W) - L
- LST-4RGB (14.4W) - L
- LST-4IPRGB (14.4W) - L
- LST-6RGB (28.8W) - L

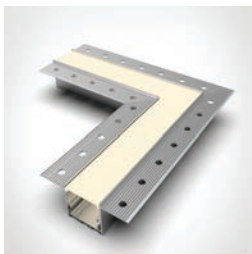
RGBW strip

- LST-4RGBW (17.8W) - L
- LST-4IPRGBW (17.8W) - L

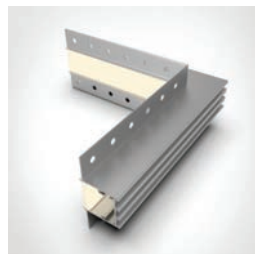
RGBCCT strip

- LST-4RGBCCT (24W) - L

D = Dotted Effect
L = Linear Effect



ALP-6/L90



ALP-6/L90INT



ALP-6/L90EXT



ALP-6/L135

Modular Aluminium profiles

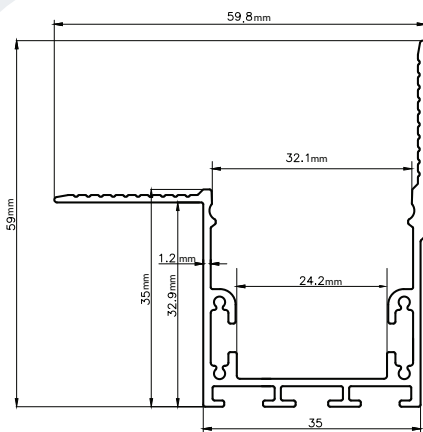
ALP-6e



RECESSED



DIMENSIONS



TECHNICAL SPECIFICATION

Code	Description	Dimensions
ALP-6e/1M	Modular plasterboard mounted aluminium profile SET for corners	1m
ALP-6e/2M	Modular plasterboard mounted aluminium profile SET for corners	2m
ALP-6e/L90	90° Corner connector SET	20 X 20cm
ALP-6e/L90INT	90° Internal corner connector SET	20 X 20cm
ALP-6e/L90EXT	90° External corner connector SET	20 X 20cm
Construction	anodised aluminium 6063 * black * white	
IP rating	IP20	

* - available upon request, subject to MOQ
All sets include opal diffusers.

ACCESSORIES

Code	Item
AL-RAIL	Rail connector for ALS-5, ALS-5i, ALS-6i, ALP-6 & ALP-6e
ALP-6/ENDCAPS	2 pcs of end caps for ALP-6 and ALP-6e



Compatible strips

Single colour strip

- LST-1 (4.8W) - L
- LST-1IP (4.8W) - L
- LST-3 (9.6W) - L
- LST-3IP (9.6W) - L
- LST-3(N) (9.6W) - L
- LST-3IP(N) (9.6W) - L
- LST-4(S) (12W) - L
- LST-4IP(S) (12W) - L
- LST-4Z (10W) - L
- LST-5 (19.2W) - L
- LST-5IP (19.2W) - L
- LST-5(N) (19.2W) - L
- LST-6 (28.8W) - L
- LST-6HL (26W) - L

Tunable white strip

- LST-3TW (9.6W) - L
- LST-3IPTW (9.6W) - L
- LST-5TW (19.2W) - L

RGB strip

- LST-2IPRGB (7.2W) - L
- LST-4RGB (14.4W) - L
- LST-4IPRGB (14.4W) - L
- LST-6RGB (28.8W) - L

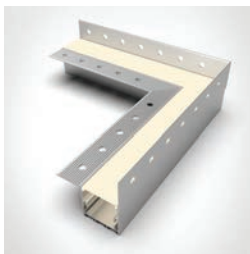
RGBW strip

- LST-4RGBW (17.8W) - L
- LST-4IPRGBW (17.8W) - L

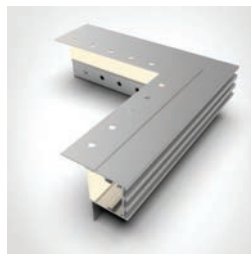
RGBCCT strip

- LST-4RGBCCT (24W) - L

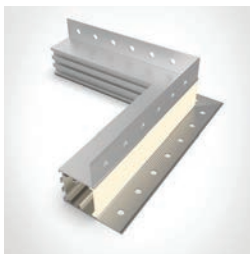
D = Dotted Effect
L = Linear Effect



ALP-6e/L90



ALP-6e/L90INT



ALP-6e/L90EXT

Compatibility overview

Match your LED strip with the most suitable aluminium profile



	AL-0	AL-1	AL-2	AL-3	AL-4	AL-5	AL-6	AL-7	AL-8	AL-9	ALS-5	ALS-6i	ALP-6/6E
Single colour strip													
LST-1 (4.8W)	D	D	D	D	D	D	L	D	L	D	L	L	L
LST-1IP (4.8W)	-	D	D	D	D	D	L	D	L	-	L	L	L
LST-3 (9.6W)	-	D	L	L	L	D	L	L	L	D	L	L	L
LST-3IP (9.6W)	-	D	L	L	L	D	L	L	L	-	L	L	L
LST-3(N) (9.6W)	-	D	L	L	L	D	L	L	L	D	L	L	L
LST-3IP(N) (9.6W)	-	D	L	L	L	D	L	L	L	-	L	L	L
LST-4(S) (12W)	-	D	D	D	D	D	L	D	L	-	L	L	L
LST-4IP(S) (12W)	-	D	D	D	D	D	L	D	L	-	L	L	L
LST-4Z (10W)	-	D	D	D	D	D	L	D	L	D	L	L	L
LST-5 (19.2W)	-	L	L	L	L	L	L	L	L	-	L	L	L
LST-5IP (19.2W)	-	L	L	L	L	L	L	L	L	-	L	L	L
LST-5(N) (19.2W)	-	L	L	L	L	L	L	L	L	-	L	L	L
LST-6 (28.8W)	-	-	-	-	-	-	L	-	-	-	L	L	L
LST-6HL (26W)	-	-	-	-	-	-	L	-	-	-	L	L	L
Tunable white strip													
LST-3TW (9.6W)	-	D	D	D	D	D	L	D	L	D	L	L	L
LST-3IPTW (9.6W)	-	D	D	D	D	D	L	D	L	-	L	L	L
LST-5TW (19.2W)	-	D	L	L	L	D	L	D	L	-	L	L	L
RGB strip													
LST-2IPRGB (7.2W)	-	D	D	D	D	D	L	D	L	-	D	L	L
LST-4RGB (14.4W)	-	D	D	D	D	D	L	D	L	-	L	L	L
LST-4IPRGB (14.4W)	-	D	D	D	D	D	L	D	L	-	L	L	L
LST-6RGB (28.8W)	-	-	-	-	-	-	L	-	-	-	L	L	L
RGBW strip													
LST-4RGBW (17.8W)	-	D	D	D	D	D	L	D	L	-	L	L	L
LST-4IPRGBW (17.8W)	-	-	-	D	-	D	L	-	-	-	L	L	L
RGCCT strip													
LST-4RGCCT (24.W)	-	-	-	D	-	D	L	-	-	-	L	L	L

- NOT COMPATIBLE

D - COMPATIBLE, DOTTED EFFECT

L - COMPATIBLE, LINEAR EFFECT

NEW LINE OF DALI DIMMABLE DRIVERS



Top Quality

Teucer LED drivers can be trusted to deliver on quality, which is why we offer a 5 year warranty.

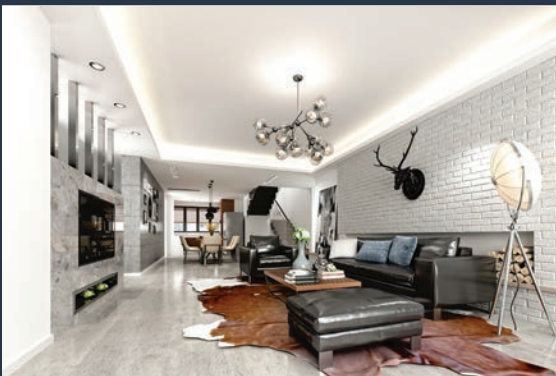


Light Efficiency

Our LED drivers deliver the best in light efficiency and quality for the most demanding applications.

LED POWER SUPPLY

THREE LINES OF PRODUCTS TO SATISFY THE MOST DEMANDING APPLICATIONS



STANDARD DRIVERS

Our constant voltage LED drivers offer great flexibility ensuring a consistent current across multiple LED strips when installed.

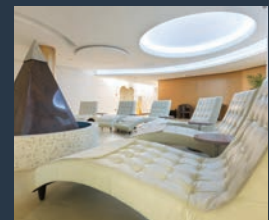


DIMMABLE DRIVERS

Our mains dimmable LED drivers are perfect for flickerless dimming of LED strip, due to a low minimum load.



OUR NEW LINE OF DALI DRIVERS ARE DESIGNED FOR ENERGY EFFICIENT, LONG LASTING AND HIGH QUALITY PROFESSIONAL LIGHTING APPLICATIONS.



TO HELP YOU CHOOSE THE
APPROPRIATE LED DRIVER,
PLEASE REFER TO THE
POWER CONSUMPTION
TABLES ON PAGES 97, 103
AND 109



>>> CONSTANT VOLTAGE

STANDARD LED DRIVERS

10W / 20W / 30W

5 YEAR WARRANTY





TECHNICAL SPECIFICATION

	10W	20W	30W
Order code	LD-IP10/24	LD-IP20/24	LD-IP30/24
Output			
Rated power	10W	20W	30W
Rated current	0.417A	0.83A	1.25A
Output voltage	24V DC	24V DC	24V DC
Voltage tolerance	±0.5V	±0.5V	±0.5V
Input			
Voltage range	170~265V AC	170~265V AC	170~265V AC
Frequency range	47~63Hz	47~63Hz	47~63Hz
Efficiency (Type)	81%	82%	84%
Power factor	0.8	0.6	≥ 0.65
AC current (Typ)	0.090A	0.18A	0.22A
Inrush current (Max)	70A	25A	30A
Protection			
Overload	≤ 120%		
Short circuit	Recovers automatically after condition is removed		
Environment			
Working temp	-30~+50°C		
Working humidity	20~90%RH, non-condensing		
Ingress protection	IP67 waterproof		
Storage temp / humidity	-40~+80°C, 10~95%RH		
Mechanical			
Dimension (mm) L x W x H	54×30×20	111×30×20	160×30×20
Weight	0.051kg	0.15kg	0.20kg

LD-IP10/24



LD-IP20/24



LD-IP30/24





>>> CONSTANT VOLTAGE

STANDARD LED DRIVERS

60W / 100W / 150W / 200W

**5 YEAR
WARRANTY**





TECHNICAL SPECIFICATION

	60W	100W	150W	200W
Order code	LD-IP60/24	LD-IP100/24	LD-IP150/24	LD-IP200/24
Output				
Rated power	60W	100W	150W	200W
Rated current	2.5A	4.2A	6.25A	8.4A
Output voltage	24V DC	24V DC	24V DC	24V DC
Voltage tolerance	±0.5V	±0.5V	±0.5V	±0.5V
Input				
Voltage range	90~264V AC	90~264V AC	180~264V AC	90~264V AC
Frequency range	47~63Hz	47~63Hz	47~63Hz	47~63Hz
Efficiency (Type)	85%	87%	85%	89%
Power factor	≥ 0.85	≥ 0.90	≥ 0.90	≥ 0.90
AC current (Typ)	0.70A	1.40A	0.45A	0.88A
Inrush current (Max)	70A	75A	80A	80A
Protection				
Overload	≤ 120% - 180%			
Short circuit	Recovers automatically after condition is removed			
Environment				
Working temp	-30~+50°C	-25~+50°C	-25~+50°C	-40~+60°C
Working humidity	20~90% RH, non-condensing			
Ingress protection	IP67 waterproof			
Storage temp / humidity	-40~+80°C, 10~95%RH			
Mechanical				
Dimension (mm) L x W x H	216x42x30	196x68x39.8	221x68x39.8	221x68x39.8
Weight	0.55kg	1.03kg	1.05kg	1.3kg

LD-IP60/24



LD-IP100/24



LD-IP150/24



LD-IP200/24












POWER CONSUMPTION TABLE OF TEUCER LED STRIP

CHOOSE THE APPROPRIATE STANDARD LED DRIVER

Power consumption of LED strips (W)

LED strip runs	4.8 W/m	7.2 W/m	9.6 W/m	10 W/m	12 W/m	14.4 W/m	17.8 W/m	19.2 W/m	24 W/m	26 W/m	28.8 W/m
0.5 (m)	2.6W	4.0W	5.3W	5.5W	6.6W	7.9W	9.8W	10.6W	13.2W	14.3W	15.8W
1 (m)	5.3W	7.9W	10.6W	11.0W	13.2W	15.8W	19.6W	21.1W	26.4W	28.6W	31.7W
1.5 (m)	7.9W	11.9W	15.8W	16.5W	19.8W	23.8W	29.4W	31.7W	39.6W	42.9W	47.5W
2 (m)	10.6W	15.8W	21.1W	22.0W	26.4W	31.7W	39.2W	42.2W	52.8W	57.2W	63.4W
2.5 (m)	13.2W	19.8W	26.4W	27.5W	33.0W	39.6W	49.0W	52.8W	66.0W	71.5W	79.2W
3 (m)	15.8W	23.8W	31.7W	33.0W	39.6W	47.5W	58.7W	63.4W	79.2W	85.8W	95.0W
3.5 (m)	18.5W	27.7W	37.0W	38.5W	46.2W	55.4W	68.5W	73.9W	92.4W	100.1W	110.9W
4 (m)	21.1W	31.7W	42.2W	44.0W	52.8W	63.4W	78.3W	84.5W	105.6W	114.4W	126.7W
4.5 (m)	23.8W	35.6W	47.5W	49.5W	59.4W	71.3W	88.1W	95.0W	118.8W	128.7W	142.6W
5 (m)	26.4W	39.6W	52.8W	55.0W	66.0W	79.2W	97.9W	105.6W	132.0W	143.0W	158.4W
5.5 (m)	29.0W	43.6W	58.1W	60.5W	72.6W	87.1W	107.7W	116.2W	145.2W	157.3W	174.2W
6 (m)	31.7W	47.5W	63.4W	66.0W	79.2W	95.0W	117.5W	126.7W	158.4W	171.6W	190.1W
6.5 (m)	34.3W	51.5W	68.6W	71.5W	85.8W	103.0W	127.3W	137.3W	171.6W	185.9W	205.9W
7 (m)	37.0W	55.4W	73.9W	77.0W	92.4W	110.9W	137.1W	147.8W	184.8W	200.2W	221.8W
7.5 (m)	39.6W	59.4W	79.2W	82.5W	99.0W	118.8W	146.9W	158.4W	198.0W	214.5W	237.6W
8 (m)	42.2W	63.4W	84.5W	88.0W	105.6W	126.7W	156.6W	169.0W	211.2W	228.8W	253.4W
8.5 (m)	44.9W	67.3W	89.8W	93.5W	112.2W	134.6W	166.4W	179.5W	224.4W	243.1W	269.3W
9 (m)	47.5W	71.3W	95.0W	99.0W	118.8W	142.6W	176.2W	190.1W	237.6W	257.4W	285.1W
9.5 (m)	50.2W	75.2W	100.3W	104.5W	125.4W	150.5W	186.0W	200.6W	250.8W	271.7W	301.0W
10 (m)	52.8W	79.2W	105.6W	110.0W	132.0W	158.4W	195.8W	211.2W	264.0W	286.0W	316.8W
10.5 (m)	55.4W	83.2W	110.9W	115.5W	138.6W	166.3W	205.6W	221.8W	277.2W	300.3W	332.6W
11 (m)	58.1W	87.1W	116.2W	121.0W	145.2W	174.2W	215.4W	232.3W	290.4W	314.6W	348.5W
11.5 (m)	60.7W	91.1W	121.4W	126.5W	151.8W	182.2W	225.2W	242.9W	303.6W	328.9W	364.3W
12 (m)	63.4W	95.0W	126.7W	132.0W	158.4W	190.1W	235.0W	253.4W	316.8W	343.2W	380.2W
12.5 (m)	66.0W	99.0W	132.0W	137.5W	165.0W	198.0W	244.8W	264.0W	330.0W	357.5W	396.0W
13 (m)	68.6W	103.0W	137.3W	143.0W	171.6W	205.9W	254.5W	274.6W	343.2W	371.8W	411.8W
13.5 (m)	71.3W	106.9W	142.6W	148.5W	178.2W	213.8W	264.3W	285.1W	356.4W	386.1W	427.7W
14 (m)	73.9W	110.9W	147.8W	154.0W	184.8W	221.8W	274.1W	295.7W	369.6W	400.4W	443.5W
14.5 (m)	76.6W	114.8W	153.1W	159.5W	191.4W	229.7W	283.9W	306.2W	382.8W	414.7W	459.4W
15 (m)	79.2W	118.8W	158.4W	165.0	198.0	237.6W	293.7W	316.8W	396.0W	429.0W	475.2W

Recommended constant voltage standard drivers

						
LD-IP10/24	LD-IP20/24	LD-IP30/24	LD-IP60/24	LD-IP100/24	LD-IP150/24	LD-IP200/24



>>> CONSTANT VOLTAGE

DIMMABLE LED DRIVERS

30W / 60W / 80W

LDD-30/24(N)



LDD-60/24(N)



LDD-IP80/24(N)



5 YEAR
WARRANTY





TECHNICAL SPECIFICATION

	30W	60W	80W
Order code	LDD-30/24(N)	LDD-60/24(N)	LDD-IP80/24(N)
Output			
Rated power	30W	60W	80W
Rated current	1.25A	0.83A	3.34A
Output voltage	24V DC	24V DC	24V DC
Voltage tolerance	±0.5V	±0.5V	±0.5V
Input			
Voltage range	200~240V AC	200~240V AC	170~265V AC
Frequency range	47~63Hz	47~63Hz	47~63Hz
Efficiency (Type)	79%	85%	83%
Power factor	PF≥0.97	PF≥0.98	PF≥0.97
AC current (Typ)	0.25A	0.42A	0.7A
Inrush current (Max)	30A	50A	49.5A
Protection			
Overload	≤ 120%	≤ 120%	≤ 120%
Short circuit	Recovers automatically after condition is removed		
Environment			
Working temp	-40~+70°C	-40~+70°C	-40~+60°C
Working humidity	20~90%RH, non-condensing		
Ingress protection	IP20	IP20	IP66
Storage temp / humidity	-40~+80°C, 10~95%RH		
Dimming			
Dimming Type	PWM dimming, PWM frequency ~ 400Hz		
Minimum Load to achieve optimum dimming of 5-100%	10%, 3W	10%, 6W	10%, 8W
Dimmer	Leading and Trailing Edge		
Note	Consult the Derating Curve for load guidance.		
Mechanical			
Dimension (mm) L x W x H	155x54x20	178x61x24	230x70x43
Weight	0.21Kg	0.35Kg	1.1Kg



>>> CONSTANT VOLTAGE

DIMMABLE LED DRIVERS

100W / 150W / 200W / 300W

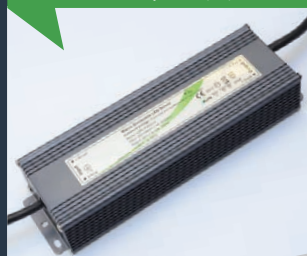
LDD-100/24(N)



LDD-150/24(N)



LDD-IP200/24(N)



LDD-300/24(N)



**5 YEAR
WARRANTY**





TECHNICAL SPECIFICATION

	100W	150W	200W	300W
Order code	LDD-IP100/24(N)	LDD-150/24(N)	LDD-IP200/24	LDD-IP300/24(N)
Output				
Rated power	100W	150W	200W	300W
Rated current	4.17A	6.25A	8.34A	12.5A
Output voltage	24V DC	24V DC	24V DC	24V DC
Voltage tolerance	±0.5V	±0.5V	±0.5V	±0.5V
Input				
Voltage range	200~240V AC	200~240V AC	200~240V AC	200~240V AC
Frequency range	47~63Hz	47~63Hz	47~63Hz	47~63Hz
Efficiency (Type)	84%	86%	87%	89%
Power factor	PF≥0.97	PF≥0.97	PF≥0.97	PF≥0.97/200-240V AC(Full loading)
AC current (Typ)	0.8A	1.2A	1.4A	2A
Inrush current (Max)	49.5A	55A	55A	60A
Protection				
Overload	≤ 120%	≤ 120%	≤ 120%	≤ 120%
Short circuit	Recovers automatically after condition is removed			
Environment				
Working temp	-40~+60°C	-40~+60°C	-40~+60°C	-40~+60°C
Working humidity	20~90%RH, non-condensing			
Ingress protection	IP66	IP66	IP66	IP66
Storage temp / humidity	-40~+80°C, 10~95%RH			
Dimming				
Dimming Type	PWM dimming, PWM frequency ~ 400Hz			
Minimum Load to achieve optimum dimming of 5-100%	10%, 10W	10%, 15W	10%, 20W	10%, 30W
Dimmer	Leading and Trailing Edge			
Note	Consult the Derating Curve for load guidance.			
Mechanical				
Dimension (mm) L x W x H	230x70x43	256x78x47	256x78x47	276x78x47
Weight	1.1Kg	1.45Kg	1.45Kg	1.67Kg









POWER CONSUMPTION TABLE OF TEUCER LED STRIP

CHOOSE THE APPROPRIATE DIMMABLE LED DRIVER

Power consumption of LED strips (W)

LED strip runs	4.8 W/m	7.2 W/m	9.6 W/m	10 W/m	12 W/m	14.4 W/m	17.8 W/m	19.2 W/m	24 / W/m	26 /W/m	28.8 W/m
0.5 (m)	*	4.0W	5.3W	5.5W	6.6W	7.9W	9.8W	10.6W	13.2W	14.3W	15.8W
1 (m)	5.3W	7.9W	10.6W	11.0W	13.2W	15.8W	19.6W	21.1W	26.4W	28.6W	31.7W
1.5 (m)	7.9W	11.9W	15.8W	16.5W	19.8W	23.8W	29.4W	31.7W	39.6W	42.9W	47.5W
2 (m)	10.6W	15.8W	21.1W	22.0W	26.4W	31.7W	39.2W	42.2W	52.8W	57.2W	63.4W
2.5 (m)	13.2W	19.8W	26.4W	27.5W	33.0W	39.6W	49.0W	52.8W	66.0W	71.5W	79.2W
3 (m)	15.8W	23.8W	31.7W	33.0W	39.6W	47.5W	58.7W	63.4W	79.2W	85.8W	95.0W
3.5 (m)	18.5W	27.7W	37.0W	38.5W	46.2W	55.4W	68.5W	73.9W	92.4W	100.1W	110.9W
4 (m)	21.1W	31.7W	42.2W	44.0W	52.8W	63.4W	78.3W	84.5W	105.6W	114.4W	126.7W
4.5 (m)	23.8W	35.6W	47.5W	49.5W	59.4W	71.3W	88.1W	95.0W	118.8W	128.7W	142.6W
5 (m)	26.4W	39.6W	52.8W	55.0W	66.0W	79.2W	97.9W	105.6W	132.0W	143.0W	158.4W
5.5 (m)	29.0W	43.6W	58.1W	60.5W	72.6W	87.1W	107.7W	116.2W	145.2W	157.3W	174.2W
6 (m)	31.7W	47.5W	63.4W	66.0W	79.2W	95.0W	117.5W	126.7W	158.4W	171.6W	190.1W
6.5 (m)	34.3W	51.5W	68.6W	71.5W	85.8W	103.0W	127.3W	137.3W	171.6W	185.9W	205.9W
7 (m)	37.0W	55.4W	73.9W	77.0W	92.4W	110.9W	137.1W	147.8W	184.8W	200.2W	221.8W
7.5 (m)	39.6W	59.4W	79.2W	82.5W	99.0W	118.8W	146.9W	158.4W	198.0W	214.5W	237.6W
8 (m)	42.2W	63.4W	84.5W	88.0W	105.6W	126.7W	156.6W	169.0W	211.2W	228.8W	253.4W
8.5 (m)	44.9W	67.3W	89.8W	93.5W	112.2W	134.6W	166.4W	179.5W	224.4W	243.1W	269.3W
9 (m)	47.5W	71.3W	95.0W	99.0W	118.8W	142.6W	176.2W	190.1W	237.6W	257.4W	285.1W
9.5 (m)	50.2W	75.2W	100.3W	104.5W	125.4W	150.5W	186.0W	200.6W	250.8W	271.7W	301.0W
10 (m)	52.8W	79.2W	105.6W	110.0W	132.0W	158.4W	195.8W	211.2W	264.0W	286.0W	316.8W
10.5 (m)	55.4W	83.2W	110.9W	115.5W	138.6W	166.3W	205.6W	221.8W	277.2W	300.3W	332.6W
11 (m)	58.1W	87.1W	116.2W	121.0W	145.2W	174.2W	215.4W	232.3W	290.4W	314.6W	348.5W
11.5 (m)	60.7W	91.1W	121.4W	126.5W	151.8W	182.2W	225.2W	242.9W	303.6W	328.9W	364.3W
12 (m)	63.4W	95.0W	126.7W	132.0W	158.4W	190.1W	235.0W	253.4W	316.8W	343.2W	380.2W
12.5 (m)	66.0W	99.0W	132.0W	137.5W	165.0W	198.0W	244.8W	264.0W	330.0W	357.5W	396.0W
13 (m)	68.6W	103.0W	137.3W	143.0W	171.6W	205.9W	254.5W	274.6W	343.2W	371.8W	411.8W
13.5 (m)	71.3W	106.9W	142.6W	148.5W	178.2W	213.8W	264.3W	285.1W	356.4W	386.1W	427.7W
14 (m)	73.9W	110.9W	147.8W	154.0W	184.8W	221.8W	274.1W	295.7W	369.6W	400.4W	443.5W
14.5 (m)	76.6W	114.8W	153.1W	159.5W	191.4W	229.7W	283.9W	306.2W	382.8W	414.7W	459.4W
15 (m)	79.2W	118.8W	158.4W	165.0W	198.0W	237.6W	293.7W	316.8W	396.0W	429.0W	475.2W

Recommended constant voltage dimmable drivers

						
LDD-30/24(N)	LDD-60/24(N)	LDD-IP80/24(N)	LDD-IP100/24(N)	LDD-IP150/24(N)	LDD-IP200/24(N)	LDD-IP300/24(N)



>>> CONSTANT VOLTAGE

DALI DIMMABLE DRIVERS

60W / 100W / 150W

LDDA-IP60/24



LDDA-IP100/24



LDDA-IP150/24



5 YEAR
WARRANTY





TECHNICAL SPECIFICATION

	60W	100W	150W
Order code	LDDA-IP60/24	LDDA-IP100/24	LDDA-IP150/24
Output			
Rated power	60W	100W	150W
Rated current	2.5A	4.16A	6.25A
Output voltage	24V DC	24V DC	24V DC
Voltage tolerance	±0.5V	±0.5V	±0.5V
Voltage regulation	±0.5%	±0.5%	±0.5%
Load Regulation	±2%	±2%	±2%
Input			
Voltage range	100~265VAC	100~265VAC	100~265VAC
Frequency range	47~63Hz	47~63Hz	47~63Hz
Efficiency (Typ) at 230V AC (Full loading)	88%	86.4%	88.2%
Power factor at 230V AC (Full loading)	0.95	0.98	0.97
THD (Typ) at 230 V AC (Full loading)	15%	<20%	<20%
AC current (Typ)	0.9A	1.17A	1.72A
Inrush current (Max)	34A	59A	56A
Leakage Current	<0.5mA	<0.5mA	<0.5mA
Protection			
Overload	≤ 120%	≤ 120%	≤ 120%
Short circuit	Recovers automatically after condition is removed		
Over temperature	100°C ±10°C Recovers automatically after cooling		
Protection class	I	I	I
Environment			
Working temp	-40~+60°C		
Working humidity	20~95% RH, non-condensing		
Ingress protection	IP66 waterproof		
Storage temp / humidity	-40~+80°C, 10~95%RH		
Temp Coefficient	±0.03%/°C (0-50°C)		
DALI			
Dimming Type	PWM dimming, PWM frequency ~ 240Hz		
DALI consumption	~0.2mA	~0.2mA	~0.2mA
Mechanical			
Dimension (mm) L x W x H	300x32x23	210x70x43	245x70x43
Weight	0.43Kg	1.05Kg	1.2Kg



>>> CONSTANT VOLTAGE

DALI DIMMABLE DRIVERS

200W / 300W

LDDA-IP200/24



LDDA-IP300/24



5 YEAR
WARRANTY





TECHNICAL SPECIFICATION

	200W	300W
Order code	LDDA-IP200/24	LDDA-IP300/24
Output		
Rated power	200W	300W
Rated current	8.33A	12.5A
Output voltage	24V DC	24V DC
Voltage tolerance	±0.5V	±0.5V
Voltage regulation	±0.5%	±0.5%
Load Regulation	±2%	±2%
Input		
Voltage range	100~265VAC	100~265VAC
Frequency range	47~63Hz	47~63Hz
Efficiency (Typ) at 230V AC (Full loading)	88.4%	88.4%
Power factor at 230V AC (Full loading)	0.97	0.97
THD (Typ) at 230 V AC (Full loading)	<20%	<20%
AC current (Typ)	2.3A	3.33A
Inrush current (Max)	56A	65A
Leakage Current	<0.5mA	<0.5mA
Protection		
Overload	≤ 120%	≤ 120%
Short circuit	Recovers automatically after condition is removed	
Over temperature	100°C ±10°C Recovers automatically after cooling	
Protection class	I	I
Environment		
Working temp	-40~+60°C	
Working humidity	20~95% RH, non-condensing	
Ingress protection	IP66 waterproof	
Storage temp / humidity	-40~+80°C, 10~95%RH	
Temp Coefficient	±0.03%/°C (0-50°C)	
DALI		
Dimming Type	PWM dimming, PWM frequency ~ 240Hz	
DALI consumption	~0.2mA	~0.2mA
Mechanical		
Dimension (mm) L x W x H	245x70x43	276x78x47
Weight	1.2Kg	1.65Kg



POWER CONSUMPTION TABLE OF TEUCER LED STRIP

CHOOSE THE APPROPRIATE DALI DIMMABLE DRIVER

Power consumption of LED strips (W)


LED strip runs	4.8 W/m	7.2 W/m	9.6 W/m	10 W/m	12 W/m	14.4 W/m	17.8 W/m	19.2 W/m	24 W/m	26 W/m	28.8 W/m
0.5 (m)	2.6W	4.0W	5.3W	5.5W	6.6W	7.9W	9.8W	10.6W	13.2W	14.3W	15.8W
1 (m)	5.3W	7.9W	10.6W	11.0W	13.2W	15.8W	19.6W	21.1W	26.4W	28.6W	31.7W
1.5 (m)	7.9W	11.9W	15.8W	16.5W	19.8W	23.8W	29.4W	31.7W	39.6W	42.9W	47.5W
2 (m)	10.6W	15.8W	21.1W	22.0W	26.4W	31.7W	39.2W	42.2W	52.8W	57.2W	63.4W
2.5 (m)	13.2W	19.8W	26.4W	27.5W	33.0W	39.6W	49.0W	52.8W	66.0W	71.5W	79.2W
3 (m)	15.8W	23.8W	31.7W	33.0W	39.6W	47.5W	58.7W	63.4W	79.2W	85.8W	95.0W
3.5 (m)	18.5W	27.7W	37.0W	38.5W	46.2W	55.4W	68.5W	73.9W	92.4W	100.1W	110.9W
4 (m)	21.1W	31.7W	42.2W	44.0W	52.8W	63.4W	78.3W	84.5W	105.6W	114.4W	126.7W
4.5 (m)	23.8W	35.6W	47.5W	49.5W	59.4W	71.3W	88.1W	95.0W	118.8W	128.7W	142.6W
5 (m)	26.4W	39.6W	52.8W	55.0W	66.0W	79.2W	97.9W	105.6W	132.0W	143.0W	158.4W
5.5 (m)	29.0W	43.6W	58.1W	60.5W	72.6W	87.1W	107.7W	116.2W	145.2W	157.3W	174.2W
6 (m)	31.7W	47.5W	63.4W	66.0W	79.2W	95.0W	117.5W	126.7W	158.4W	171.6W	190.1W
6.5 (m)	34.3W	51.5W	68.6W	71.5W	85.8W	103.0W	127.3W	137.3W	171.6W	185.9W	205.9W
7 (m)	37.0W	55.4W	73.9W	77.0W	92.4W	110.9W	137.1W	147.8W	184.8W	200.2W	221.8W
7.5 (m)	39.6W	59.4W	79.2W	82.5W	99.0W	118.8W	146.9W	158.4W	198.0W	214.5W	237.6W
8 (m)	42.2W	63.4W	84.5W	88.0W	105.6W	126.7W	156.6W	169.0W	211.2W	228.8W	253.4W
8.5 (m)	44.9W	67.3W	89.8W	93.5W	112.2W	134.6W	166.4W	179.5W	224.4W	243.1W	269.3W
9 (m)	47.5W	71.3W	95.0W	99.0W	118.8W	142.6W	176.2W	190.1W	237.6W	257.4W	285.1W
9.5 (m)	50.2W	75.2W	100.3W	104.5W	125.4W	150.5W	186.0W	200.6W	250.8W	271.7W	301.0W
10 (m)	52.8W	79.2W	105.6W	110.0W	132.0W	158.4W	195.8W	211.2W	264.0W	286.0W	316.8W
10.5 (m)	55.4W	83.2W	110.9W	115.5W	138.6W	166.3W	205.6W	221.8W	277.2W	300.3W	332.6W
11 (m)	58.1W	87.1W	116.2W	121.0W	145.2W	174.2W	215.4W	232.3W	290.4W	314.6W	348.5W
11.5 (m)	60.7W	91.1W	121.4W	126.5W	151.8W	182.2W	225.2W	242.9W	303.6W	328.9W	364.3W
12 (m)	63.4W	95.0W	126.7W	132.0W	158.4W	190.1W	235.0W	253.4W	316.8W	343.2W	380.2W
12.5 (m)	66.0W	99.0W	132.0W	137.5W	165.0W	198.0W	244.8W	264.0W	330.0W	357.5W	396.0W
13 (m)	68.6W	103.0W	137.3W	143.0W	171.6W	205.9W	254.5W	274.6W	343.2W	371.8W	411.8W
13.5 (m)	71.3W	106.9W	142.6W	148.5W	178.2W	213.8W	264.3W	285.1W	356.4W	386.1W	427.7W
14 (m)	73.9W	110.9W	147.8W	154.0W	184.8W	221.8W	274.1W	295.7W	369.6W	400.4W	443.5W
14.5 (m)	76.6W	114.8W	153.1W	159.5W	191.4W	229.7W	283.9W	306.2W	382.8W	414.7W	459.4W
15 (m)	79.2W	118.8W	158.4W	165.0W	198.0W	237.6W	293.7W	316.8W	396.0W	429.0W	475.2W


Recommended constant voltage DALI dimmable drivers


LDDA-IP60/24


LDDA-IP100/24


LDDA-IP150/24


LDDA-IP200/24


LDDA-IP300/24

Controllers and receivers

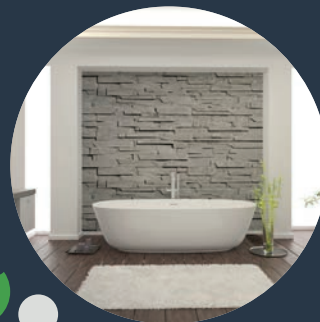
WHEN IT COMES TO CONTROLLING THE LED STRIP, WE OFFER A WIDE RANGE OF LED CONTROLLERS, RECEIVERS AND DECODERS.

There are many ways to control your LED strip, each offering a choice of a number of different controllers including wireless remotes, single and multichannel controllers, smart glass touch wall panels, fully programmable DMX and DALI decoders.

The compatibility table shows various combinations of

controllers and receivers or decoders which can be used together.

To help you decide on which combination to use, you can check the protocol (RF, DMX, WiFi), number of zones you need to control, the type of controller and strip colour you are using.



COMPATIBILITY TABLE

CONTROLLER AND RECEIVER / DMX DECODER

Controller	Type	Compatible receiver / DMX decoder	Protocol	Zones	LED strip
LR-WN	Remote	R3C	RF	1	single colour
LR-4WN	Remote	R3C	RF	4	single colour
WP-4WN	Wall panel	R3C	RF	4	single colour
		DIM-DMX1CH(N)	DMX	4	single colour
LR-TWN	Remote	R3C	RF	1	tunable white
LR-4TWN	Remote	R3C	RF	4	tunable white
WP-4TWN	Wall panel	R3C	RF	4	tunable white
		DIM-DMX1CH(N)	DMX	4	single colour
LR-RGB/RGBW	Remote	R3C	RF	1	RGB
		R4C	RF	1	RGB, RGBW
LR-4RGB/4RGBW	Remote	R3C	RF	4	RGB
		R4C	RF	4	RGB, RGBW
WP-4RGBWN	Wall panel	R3C	RF	4	RGB
		R4C	RF	4	RGBW
		DIM-DMX1CH(N)	DMX	4	RGB, RGBW
LR-4RGBCCT	Remote	R3C	Wi-Fi/RF	4	Single Colour, Tunable White, RGB
		R4C	Wi-Fi/RF	4	Single Colour, Tunable White, RGB, RGBW
		R5C	Wi-Fi/RF	4	Single Colour, Tunable White, RGB, RGBW, RGBCCT
WP-4RGBCCT	Wall panel	R3C	Wi-Fi/RF	4	Single Colour, Tunable White, RGB
		R4C	Wi-Fi/RF	4	Single Colour, Tunable White, RGB, RGBW
		R5C	Wi-Fi/RF	4	Single Colour, Tunable White, RGB, RGBW, RGBCCT
		DIM-DMX1CH(N)	DMX	4	Single Colour, Tunable White, RGB, RGBW
		DIM-DMX5CH	DMX	4	Single Colour, Tunable White, RGB, RGBW, RGBCCT
LR-WIFI	Mobile App	R3C	Wi-Fi/RF	16	Single Colour, Tunable White, RGB
		R4C	Wi-Fi/RF	16	Single Colour, Tunable White, RGB, RGBW
		R5C	Wi-Fi/RF	16	Single Colour, Tunable White, RGB, RGBW, RGBCCT

Controllers and receivers for **SINGLE COLOUR LED STRIP**

LR-WN

1 Zone RF remote controller for single colour LED strip



Controller	LR-WN
Type	RF Remote
Power	CR2032 battery
Operation Frequency	2.4GHz
Dimension (WxLxH)	58.5x107x9mm

- 1 zone single colour controller
- 4 preset dimming levels (100%, 75%, 50%, 25%).
- Receiver Auto-Transmitting function to achieve greater distances between receivers and the remote
- Distance of up to 30m.
- PWM dimming enables flicker-less dimming

LR-4WN

4 Zone RF remote controller for single colour LED strip



Controller	LR-4WN
Type	RF Remote
Power	CR2032 battery
Operation Frequency	2.4GHz
Dimension (WxLxH)	58.5x107x9mm

- Adjust brightness for up to 4 zones independently or simultaneously
- Smooth dimming capacity.
- Distance of up to 30m.
- PWM dimming enables flicker-less dimming
- Receiver Auto-Transmitting function to achieve greater distances between receivers and the remote



COMPATIBLE RECEIVER



Order code	R3C
Type	RF receiver
Input Voltage	12-24V DC
Current	3x4A
Output	3X(48-96W)
Note	Constant voltage
Dimension	33x97x18mm (WxLxH)



Controllers and receivers for **SINGLE COLOUR LED STRIP**

WP-4WN

4 Zone wall panel for single colour LED strip



Controller	WP-4WN
Type	RF and DMX wall panel
Input Voltage	85-265V AC
Operation Frequency	2.4GHz
Dimension (WxLxH)	86 x 86 x 35mm

- Adjust brightness for up to 4 zones independently or simultaneously
- Touch sensitive glass and smooth dimming
- Backlit buttons for night time use
- Designed to fit into your existing switch back box
- Save lighting functions and preferences with scene save
- Receiver Auto-Transmitting function to achieve greater distances between receivers and the remote
- DMX512 signal output for wired control of single colour DMX decoders



R3C



DIM-DMX1CH(N)



COMPATIBLE RECEIVERS

Order code	R3C
Type	RF receiver
Input Voltage	12-24V DC
Current	3x4A
Output	3X(48-96W)
Note	Constant voltage
Dimension	33x97x18mm (WxLxH)

Order code	DIM-DMX1CH(N)
Type	DMX decoder
Input Voltage	12-24V DC
Current	4x5A
Output	4x(60-120)W
Note	Constant voltage
Dimension	50x170x23mm (WxLxH)



Controllers and receivers for **TUNABLE WHITE LED STRIP**

LR-TWN

1 Zone RF remote controller for tuneable white LED strip



Controller	LR-TWN
Type	RF Remote
Power	CR2032 battery
Operation Frequency	2.4GHz
Dimension (WxLxH)	58.5x107x9mm

- Seamlessly adjust the CCT of LED strips via the remote
- Save lighting functions and preferences with scene save
- 4 preset dimming and CCT levels (100%, 50%, WW, NW)
- Distance of up to 30m (obstacle free)
- Receiver Auto-Transmitting function to achieve greater distances between receivers and the remote
- PWM dimming enables flicker-less dimming
- Dimming range: 0-100%

LR-4TWN

4 Zone RF remote controller for tuneable white LED strip



Controller	LR-4TWN
Type	RF Remote
Power	CR2032 battery
Operation Frequency	2.4GHz
Dimension (WxLxH)	58.5x107x9mm

- Adjust CCT and brightness for up to 4 zones independently or simultaneously
- Distance of up to 30m
- Receiver Auto-Transmitting function to achieve greater distances between receivers and the remote
- Control each zone separately or simultaneously
- PWM dimming enables flicker-less dimming
- Dimming range: 0-100%
- Save lighting functions and preferences with scene save



COMPATIBLE RECEIVER



Order code	R3C
Type	RF receiver
Input Voltage	12-24V DC
Current	3x4A
Output	3X(48-96W)
Note	Constant voltage
Dimension	33x97x18mm (WxLxH)



Controllers and receivers for TUNABLE WHITE LED STRIP

WP-4TWN

4 Zone wall panel for tuneable white LED strip



Controller	WP-4TWN
Type	RF and DMX wall panel
Input Voltage	85-265V AC
Operation Frequency	2.4GHz
Dimension (WxLxH)	86 x 86 x 35mm

- Adjust CCT and brightness for up to 4 zones independently or simultaneously
- Touch sensitive glass and smooth dimming
- Backlit buttons for night time use
- Designed to fit into your existing switch back box
- Save lighting functions and preferences with scene save
- Receiver Auto-Transmitting function to achieve greater distances between receivers and the remote
- DMX512 signal output for wired control of Tunable White DMX decoders



R3C



DIM-DMX1CH(N)



COMPATIBLE RECEIVERS

Order code	R3C
Type	RF receiver
Input Voltage	12-24V DC
Current	3x4A
Output	3X(48-96W)
Note	Constant voltage
Dimension	33x97x18mm (WxLxH)

Order code	DIM-DMX1CH(N)
Type	DMX decoder
Input Voltage	12-24V DC
Current	4x5A
Output	4x(60-120)W
Note	Constant voltage
Dimension	50x170x23mm (WxLxH)



Controllers and receivers for RGB AND RGBW LED STRIP

LR-RGB/RGBW

1 Zone RF remote controller for RGB and RGBW LED strip



Order code	LR-RGB/RGBW
Type	RF Remote
Power	CR2032 battery
Operation Frequency	2.4GHz
Dimension (WxLxH)	58.5x107x9mm

- Easy control of RGB/RGBW LED strips.
- PWM dimming enables flicker-less dimming
- Distance of up to 30m
- Dimming range: 0-100%
- Save lighting functions and preferences with scene save
- Receiver Auto-Transmitting function to achieve greater distances between receivers and the remote
- Built-in dynamic play modes with receiver auto-synchronization

LR-4RGB/4RGBW

4 Zone RF remote controller for RGB and RGBW LED strip



Order code	LR-4RGB/4RGBW
Type	RF Remote
Power	CR2032 battery
Operation Frequency	2.4GHz
Dimension (WxLxH)	58.5x107x9mm

- Easy control of RGB/RGBW LED strips for up to 4 zones independently or simultaneously
- 2.4GHz wireless technology, remote distance of up to 30m
- Save lighting functions and preferences with scene save
- Receiver Auto-Transmitting function to achieve greater distances between receivers and the remote
- Built-in dynamic play modes with receiver auto-synchronization



COMPATIBLE RECEIVERS



Order code	R3C
Type	RF receiver
Input Voltage	12-24V DC
Current	3x4A
Output	3X(48-96W)
Note	Constant voltage
Dimension	33x97x18mm (WxLxH)



Order code	R4C
Type	RF receiver
Input Voltage	12-36V DC
Current	4x5A
Output	4x(60-180)W
Note	Constant voltage
Dimension	45x175x27mm (WxLxH)



Controllers and receivers for RGB AND RGBW LED STRIP

WP-4RGBWN

4 Zone RF and DMX controller for RGB and RGBW LED strip



Controller	WP-4RGBWN
Type	RF and DMX wall panel
Input Voltage	85-265V AC
Operation Frequency	2.4GHz
Dimension	86 x 86 x 35mm (WxLxH)

- Easy control of RGB/RGBW LED strips for up to 4 zones independently or simultaneously
- Touch sensitive glass
- 5%-100% smooth dimming
- Backlit buttons for night time use
- Designed to fit into your existing switch back box
- DMX512 signal output for wired control of RGB/RGBW DMX decoders
- Receiver Auto-Transmitting function to achieve greater distances between receivers and the remote
- Built-in dynamic play modes with receiver auto-synchronization

COMPATIBLE DECODER

Decoder	DIM-DMX1CH(N)
Type	DMX decoder
Input Voltage	12-24V DC
Current	4x5A
Output	4x(60-120)W
Note	Constant voltage
Dimension	50x170x23mm (WxLxH)





COMPATIBLE RECEIVERS



Order code	R3C
Type	RF receiver
Input Voltage	12-24V DC
Current	3x4A
Output	3X(48-96W)
Note	Constant voltage
Dimension	33x97x18mm (WxLxH)



Order code	R4C
Type	RF receiver
Input Voltage	12-36V DC
Current	4x5A
Output	4x(60-180)W
Note	Constant voltage
Dimension	45x175x27mm (WxLxH)

Controllers and receivers for RGBCCT LED STRIP

LR-4RGBCCT

4 Zone RF remote controller for RGBCCT LED strip



Order code	LR-4RGBCCT
Type	RF Remote
Power	2x AAA battery
Operation Frequency	2.4GHz
Dimension	53x122x17mm (WxLxH)
Weight	60g

- Easy control of single colour, tunable white, RGB/ RGBW and RGBCCT LED strips for up to 4 zones independently or simultaneously
- 2.4GHz wireless technology, remote distance of up to 30m
- Save lighting functions and preferences with scene save
- Control each zone separately or simultaneously
- Auto-transmitting function to achieve greater distances between receivers and the remote
- PWM dimming enables flicker-less dimming
- Built-in dynamic play modes with receiver auto-synchronization



R3C



R4C



R5C



COMPATIBLE RECEIVER

Order code	R3C
Type	RF receiver
Input Voltage	12-24V DC
Current	3x4A
Output	3X(48-96W)
Note	Constant voltage
Dimension	33x97x18mm (WxLxH)

Order code	R4C
Type	RF receiver
Input Voltage	12-36V DC
Current	4x5A
Output	4x(60-180)W
Note	Constant voltage
Dimension	45x175x27mm (WxLxH)

Order code	R5C
Type	RF receiver
Input Voltage	12-24V DC
Current	5x3A
Output	5X (36-72W)
Note	Constant voltage
Dimension	38x114x20mm (WxLxH)



Controllers and receivers for RGB CCT LED STRIP

WP-4RGBCCT

4 Zone controller for RGB CCT LED strip



Controller	WP-4RGBCCT
Type	RF and DMX wall panel
Input Voltage	85-265V AC
Operation Frequency	2.4GHz
Dimension	86 x 86 x 35mm (WxLxH)

- Easy control of single colour, tunable white, RGB/ RGBW and RGB CCT LED strips for up to 4 zones independently or simultaneously
- Touch sensitive glass and smooth dimming
- Backlit buttons for night time use
- Designed to fit into your existing switch back box
- Built-in dynamic play modes with receiver auto-synchronization
- Receiver Auto-Transmitting function to achieve greater distances between receivers and the remote



R3C



R4C



R5C

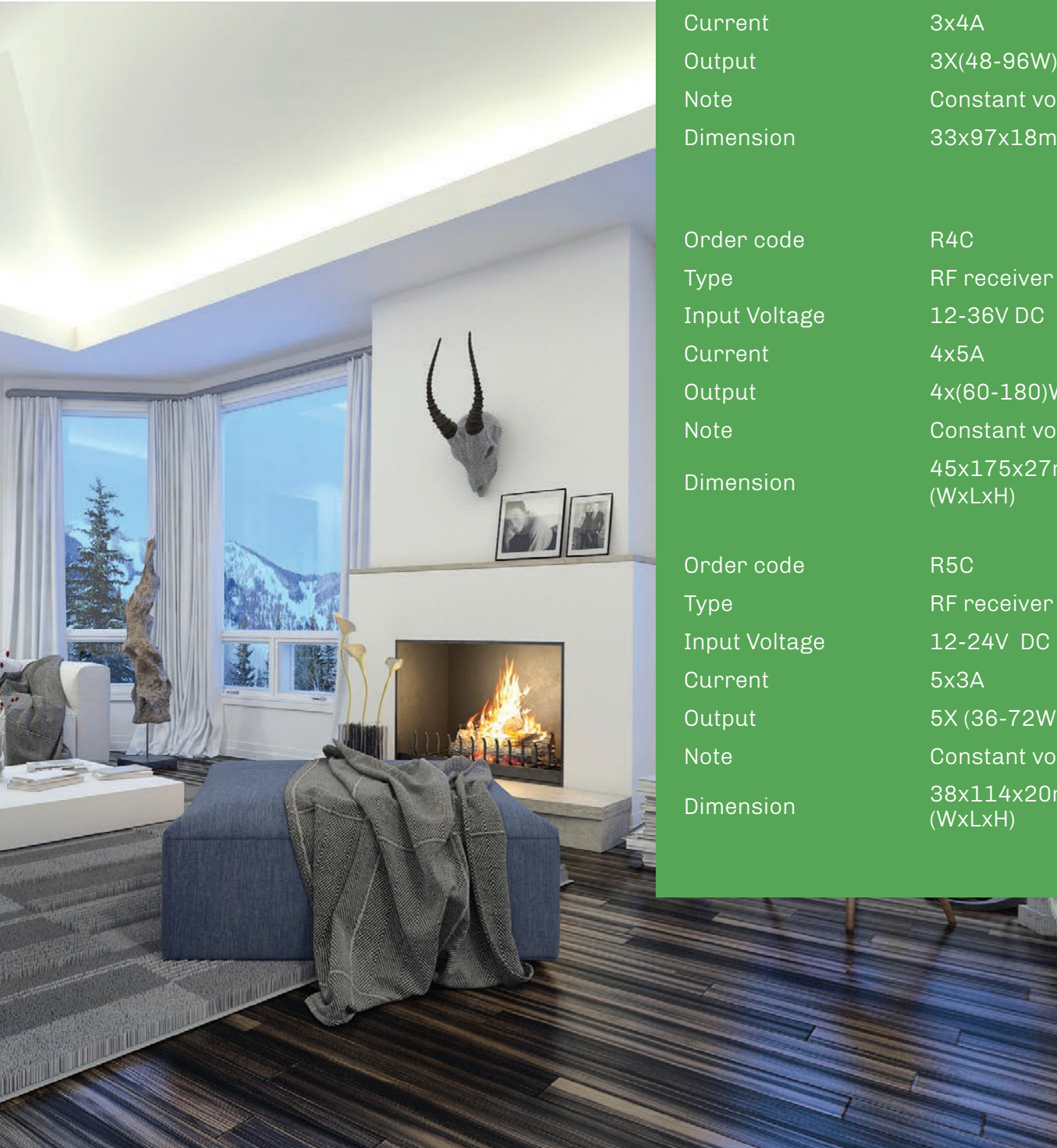


COMPATIBLE RECEIVERS

Order code	R3C
Type	RF receiver
Input Voltage	12-24V DC
Current	3x4A
Output	3X(48-96W)
Note	Constant voltage
Dimension	33x97x18mm (WxLxH)

Order code	R4C
Type	RF receiver
Input Voltage	12-36V DC
Current	4x5A
Output	4x(60-180W)
Note	Constant voltage
Dimension	45x175x27mm (WxLxH)

Order code	R5C
Type	RF receiver
Input Voltage	12-24V DC
Current	5x3A
Output	5X (36-72W)
Note	Constant voltage
Dimension	38x114x20mm (WxLxH)



WIFI TRANSMITTER



LR-WIFI

WIFI Transmitter



Order code	LR-WIFI
Type	WIFI Transmitter
Input Voltage	5-24V DC
Operation Frequency	2.4GHz
Dimension	72 x 72 x 25mm (WxLxH)

- Converts WiFi signal to RF
- Easy control of single colour, tunable white, RGB/RGBW and RGBCCT LED strips for up to 16 zones independently or simultaneously
- Free APP available for iOS pp Store and Google Play store
- User friendly APP interface
- No additional remote control required
- Save lighting functions and preferences with scene interface
- Sync LED strips with the music



R3C



R4C



R5C

COMPATIBLE RECEIVERS

Order code	R3C
Type	RF receiver
Input Voltage	12-24V DC
Current	3x4A
Output	3X(48-96W)
Note	Constant voltage
Dimension	33x97x18mm (WxLxH)

Order code	R4C
Type	RF receiver
Input Voltage	12-36V DC
Current	4x5A
Output	4x(60-180)W
Note	Constant voltage
Dimension	45x175x27mm (WxLxH)

Order code	R5C
Type	RF receiver
Input Voltage	12-24V DC
Current	5x3A
Output	5X (36-72W)
Note	Constant voltage
Dimension	38x114x20mm (WxLxH)





DECODERS



Teucer offers a choice of decoder types for use with various third party lighting systems and protocols. If you already have a DALI or DMX system in place, you can use Teucer decoders to control the LED strips via that system.

The decoders comply with the relevant standards enabling interoperability with the respective protocols.

The signal amplifier and signal repeater enable expansion of installations without the need to redesign your project.

DIM-DMX1CH(N)

4 Channel DMX decoder

Decoder	DIM-DMX1CH(N)
Type	DMX decoder
Input Voltage	12-24V DC
Current	4x5A
Output	4x(60-120)W
Note	Constant voltage
Dimension	50x170x23mm (WxLxH)



- 1/2/4 DMX channels.
- DMX512 compliant control interface, DMX address can be set on the digital numeric display
- Control single colour, tunable white, RGB and RGBW LED strips
- Smooth PWM dimming
- Can work as a standalone RGB/W controller with 30 dynamic modes, adjustable speed and brightness.

DIM-DMX5CH

5 Channel DMX decoder

Decoder	DIM-DMX5CH
Type	DMX decoder
Input Voltage	12-24V DC
Current	4x6A
Output	5x(72-144)W
Note	Constant voltage
Dimension	170x86x39.5mm (WxLxH)



- 1/2/3/4/5 DMX channels (Single Colour, Tunable White, RGB, RGBW and RGB CCT)
- DMX512 compliant control interface
- Master & Decoder mode, RDM function
- Smooth PWM dimming frequency (250Hz-8000Hz)
- Can work as a standalone RGB CCT controller with 25 dynamic play modes, adjustable speed and brightness
- Terminal, XLR3 and RJ45 ports
- Easy control interface with OLED display
- Multiple dimming curves

DIM-DALI4CH

4 Channel DALI decoder

Decoder	DIM-DALI4CH
Type	DALI decoder
Input Voltage	12-36V DC
Current	4x5A
Output	4x(60-180)W
Note	Constant voltage
Dimension	46x178x22mm (WxLxH)



- Compatible with all standard Dali systems
- Manual and automatic DALI address setting
- Digital address display
- Four independently addressable DALI channels
- Compatible with PR-RGB(N) signal repeater to expand your LED lighting

DIM-0101CH(N)

1 Channel analogue decoder

Decoder	DIM-0101CH(N)
Type	analogue decoder
Input Voltage	5-36V DC
Current	1x8A
Output	(40-288)W
Note	Constant voltage
Dimension	33x97x18mm (WxLxH)



- 1 channel 0/1-10V signal input
- PWM dimming output can achieve 4096 levels of flickerless dimming
- 0-100% smooth dimming
- Compatible with 0-10V, 1-10V dimmers
- Compatible with signal repeater to expand your LED lighting.

PR-RGB(N)

Signal repeater

Signal repeater	PR-RGB(N)
Type	signal repeater
Input Voltage	12-36V DC
Current	4x5A
Output	4x(60-180W)
Note	Constant voltage
Dimension	45x175x28mm (WxLxH)



- Unlimited signal expansion
- PWM dimming
- Compatible with all Teucer receivers and decoders

SIGNAL REPEATER

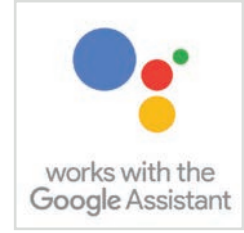


SMART HOME TECHNOLOGY

Compatible with

AMAZON ALEXA AND GOOGLE ASSISTANT.

Enter the new era of home automation and voice recognition with our stylish smart switches and dimmers.



NEW LINE OF PRODUCTS

SMART SWITCHES AND DIMMERS

QUICK AND EASY TO INSTALL!



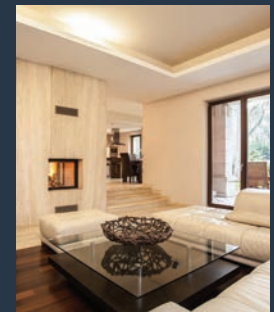
SMART SWITCHES



SMART DIMMER



YOU CAN ACCESS AND CONTROL YOUR LIGHTING FROM ANYWHERE, ANYTIME.



Whether you're right at the start of your home automation journey, or you are looking for the most up-to-date smart switches or dimmers, we've got you covered. Our smart switches and dimmers are a direct replacement for your traditional built-in switches. They can work as a regular light switch/dimmer, but can also provide you new ways to control your home lighting through dedicated app and virtual assistants.

COMPATIBLE WITH TEUCER LED STRIP AND WITH THE MAJORITY OF OTHER LED PRODUCTS IN THE MARKET.



WHAT YOU CAN A SMART SWITCH OR DIMMER DO?

- CONTROL LIGHTS OR OTHER HARDWIRED APPLIANCES THOROUGHOUT YOUR HOME
- USING VOICE COMMANDS WITH AMAZON ALEXA OR GOOGLE ASSISTANT
- CONTROL LIGHTS REMOTELY WITH YOUR SMARTPHONE, ANYTIME FROM ANYWHERE
- CREATE SCHEDULES TURNING YOUR LIGHTS ON/OFF OR EVEN DIMMING.
- SETTING UP DIFFERENT SCENES AND MOODS FOR CERTAIN ACTIVITIES LIKE WATCHING MOVIES OR READING A BOOK

WHY SWITCH TO SMART SWITCH?

The main thing smart switches and dimmers can provide is convenience, enabling you to easily control your lights with your smartphone or tablet.

From the core ON/OFF and dimming functions using your voice or an app, to some seriously smart options, like an "entire house rule" programmed to switch off every light automatically when you leave the house.

Convenience really is the number one reason for upgrading your home lighting setup.

When you start linking your smart lighting system to other smart devices, things get really interesting. From sensors to geofencing and event-based automation, you can create a truly personalized experience and get your home technology working for you. Our Smart WIFI Socket can integrate any device to this easily controllable smart system.

Our smart light switches are one key component to a smarter, safer home for your family, utilizing the timed schedules; switching lights on or off to give the appearance of your property being occupied when you are away.

Smart WiFi Switches

1 GANG / 2 GANG / 3 GANG

BUILT-IN WIFI ALLOWS TO CONTROL DIRECTLY, WITHOUT AN INTERMEDIARY HUB, BRIDGE OR GATEWAY.



1 Gang

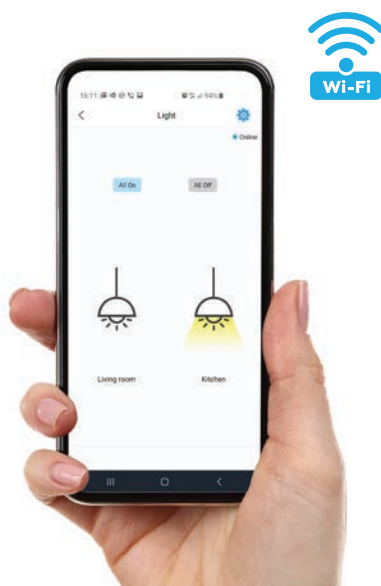


2 Gang



3 Gang

<ul style="list-style-type: none"> Panel material Voltage Rating Load Rating Standby power Wi-Fi standard Wi-Fi Security 	<ul style="list-style-type: none"> Tempered Glass AC 100-250V 50-60Hz 200W/400W/600W 0.25W 802.11b/g/n WEP/WPA/WPA2(AES-TKIP-Personal)
<ul style="list-style-type: none"> Wi-Fi performance Transmission power Wi-Fi performance Receiver sensitivity Size Weight Operating temperature Relative humidity 	<ul style="list-style-type: none"> +20dBm,11Mbps(CCK) -89dBm,11Mbps(CCK)W 85x85x32mm 0.3kg -25 °C to + 60 °C < 95%



No hub, bridge or gateway required



App control



Compatible with Amazon Alexa and Google Assistant



Timer function



Scene setting



EASY, INTUITIVE SETUP

START YOUR JOURNEY WITH HOME AUTOMATION NOW!

Product Code	Description	Finish
TSS-1G	1 Gang Smart Switch	White*
TSS-2G	2 Gang Smart Switch	White*
TSS-3G	3 Gang Smart Switch	White*

Black Finish available upon request, subject to MOQ.



Smart WIFI DIMMER

LIGHT YOUR HOME SMARTER, ADJUSTING YOUR LIGHTS EFFORTLESSLY IN CONJUNCTION WITH ALL THE MAJOR VIRTUAL ASSISTANTS ON THE MARKET.

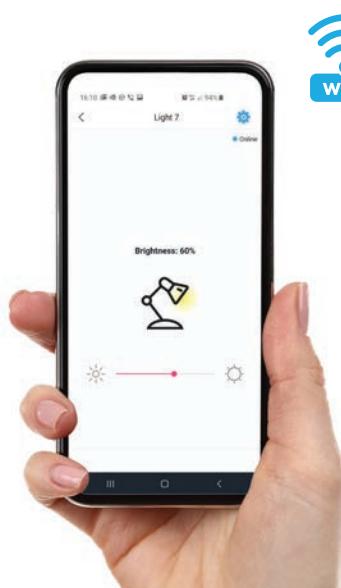


White finish

Backlight indication:

- Green backlight indicates that the light is off
- Blue backlight indicates that the light is dimmed
- Red backlight indicates that the light is at its brightness

Panel material	Tempered Glass
Voltage Rating	AC 100-250V 50-60Hz
Load Rating	10-100W
Dimming type	Leading edge
Standby power	0.25W
Wi-Fi standard	802.11b/g/n
Wi-Fi Security	WEP/WPA/WPA2(AES-TKIP-Personal)
Wi-Fi performance Transmission power	+20dBm,11Mbps(CCK)
Wi-Fi performance Receiver sensitivity	-89dBm,11Mbps(CCK)W
Size	85x85x32mm
Weight	0.3kg
Operating temperature	-25 °C to + 60 °C
Rated Load	< 95%



- No hub, bridge or gateway required
- App control
- Compatible with Amazon Alexa and Google Assistant
- Timer function
- Scene setting
- Dimming



SMOOTH DIMMING

Product Code	Description	Finish
TSS-DS	Smart WIFI dimmer	White*

Black Finish available upon request, subject to MOQ.

CREATE COSY
AMBIANCE



Smart WIFI SOCKET

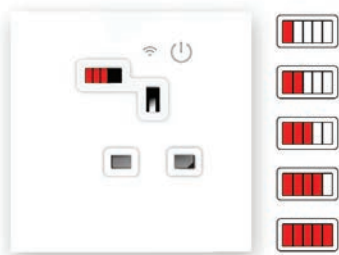


ANY HOME APPLIANCE CAN BE PLUGGED TO THE SMART WIFI SOCKET, AND CONTROLLED VIA APP OR VOICE RECOGNITION.



White finish

Panel material	Tempered Glass
Voltage Rating	AC 100-250V 50-60Hz
Current Rating	10A
Wi-Fi standard	802.11b/g/n
Encription	WEP/WPA-PSK / WPA2-PSK
Size	85x85x32mm
Weight	0.3kg
Operating temperature	-25 °C to + 60 °C



Power consumption indicator



No hub, bridge or gateway required



App control



Compatible with Amazon Alexa and Google Assistant



Timer function



Power consumption statistics

Set the timer and schedule your appliances remotely.

Check the statistics for electricity consumption of each appliance. The power consumption indicator on the smart socket can give you info about power usage of any appliance at a single glance.

SMART SOCKETS

AN ESSENTIAL PART OF ANY SMART HOME

Product Code	Description	Finish
TSS-WS	Smart WIFI socket	White*

Black Finish available upon request, subject to MOQ.

MONITOR YOUR
APPLIANCES



Teucer SERVICES



Customer service

At Teucer we strive to provide excellent customer service and great quality products at very competitive rates. We would be happy to speak to you before your purchase, to help you choose the right product, as well as after the purchase, should you require any assistance with the installation. We aim to constantly improve our client's expectations and experiences, so feel free to contact us.

Delivery

We provide next day delivery service for all standard orders placed by 3:30pm. Deliveries are free of charge for orders over £100. For customised product deliveries, please contact us directly.

Support

We endeavour to help and support your business on an 'on-going' basis. We provide extensive product training sessions, supported by extensive product manuals and installation instructions, as well as a dedicated installation video channel. You may qualify for one of our popular range of LED display boards for your shop floor, so contact us for more details.





YOUR NEXT PROJECT

If you have drawings for your next project and require help with specifications and quotations, please contact us. Our dedicated, skilled and experienced professionals will help you choose the most suitable product solutions. In addition, we could arrange a site visit with one of our consultants to help you with your project specifications.



WE ENDEAVOUR TO HAVE YOUR CUSTOMISATIONS READY WITHIN 3-5 WORKING DAYS.

PROJECTS

BESPOKE CUSTOMISATION SERVICES

OUR IN-HOUSE BESPOKE CUSTOMISATION SERVICE IS CARRIED OUT AT OUR LONDON WORKSHOP BY OUR EXPERIENCED LED LIGHTING TECHNICIANS. THIS SERVICE WAS INTRODUCED WITH THE PURPOSE OF SIMPLIFYING THE WORK FOR INSTALLERS.

EXCELLENT CUSTOMER SERVICE
NEXT DAY DELIVERY
HELP AND SUPPORT



Reproduction of this catalogue in whole or in part is prohibited without prior consent from Teucer UK Ltd. The information presented within this catalogue does not form part of any quotation or contract with any third party whatsoever. Although every effort has been made to ensure the compiled information within this publication is accurate and reliable, specification and performance data are constantly changing. Current details should therefore be checked with Teucer UK Ltd and we reserve the right to make changes without any prior notice. No liability will be accepted by Teucer UK Ltd for any consequence of its use.

All products and services listed within this catalogue are subject to Teucer's terms and conditions which can be found on our website.

www.intalite.co.uk

WWW.INTALITE.CO.UK