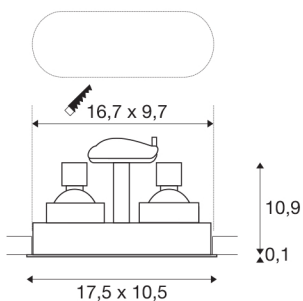




## HORN double QPAR51

black recessed ceiling light, 25W

Rotating and pivoting high-voltage recessed light from the HORN series. In the light made of aluminium, the light sources are installed offset to the rear. This construction method results in a special look. The electrical connection is made directly to 230V. Furthermore, single-flame, low-voltage and LED versions are available.



## TECHNICAL DATA

Item no.:	1006121
Socket	GU10
Number of sockets	2
Primary nominal voltage	220-240V ~50/60Hz mA/V
Tilt range	30 °
Length	17.5 cm
Width	10.5 cm
Height	11 cm
Installation length	16.7 cm
Installation width	9.7 cm
Installation depth	12 cm
Net weight	0.34 kg
Gross weight	0.364 kg
Safety class	II
Assembly	Recessed
Assembly details	Ceiling
Wattage	25 W
Color	black
BIG WHITE Page	371