

10 Tracks & Magnetic>Square Track Surface

40003A/G



3-Phase 16A square track for commercial applications.

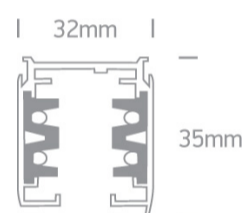
Complies with standard EN60598-1 and any other specific standards.



Downloads

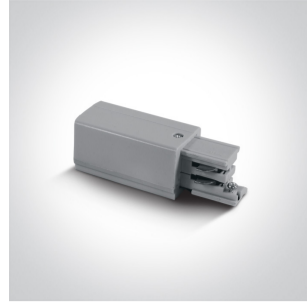


Dimensions

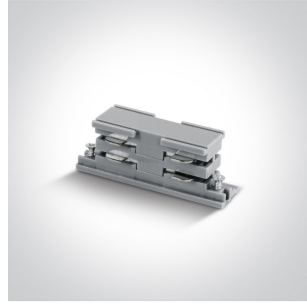




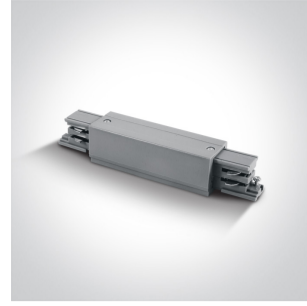
41004A/G/L



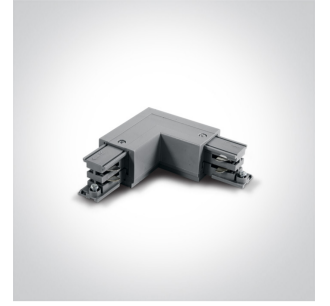
41004A/G/R



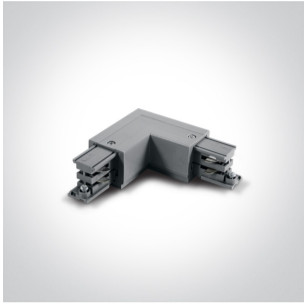
41008A/G



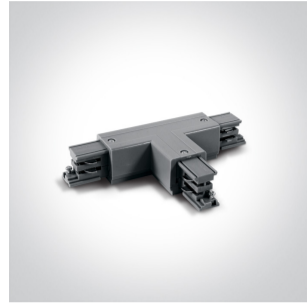
41010A/G



41012A/G/L



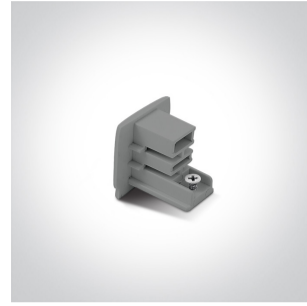
41012A/G/R



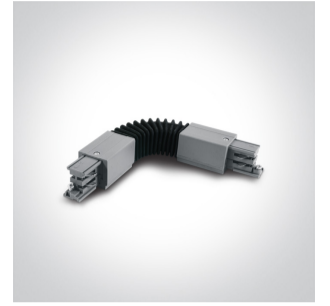
41016A/G



41020/G



41022A/G



41024A/G



41026R/W

## Physical Specification

Item Group	10 Tracks & Magnetic
Family	Square Track Surface
Order Code	40003A/G
Colour	Grey
Material	Aluminium
Shape	Rectangular
Length	3000mm
Width	32mm
Height	35mm
Surface Ceiling	Yes
Suspended Ceiling	Yes
Indoor	Yes
Adjustable	No

## Packing Info

Box Weight	2,5kg
Pcs/Carton	10
Barcode	5291889023401
HS Code	9405990090

## Certification & Warranty

Warranty	5 Years
----------	---------

