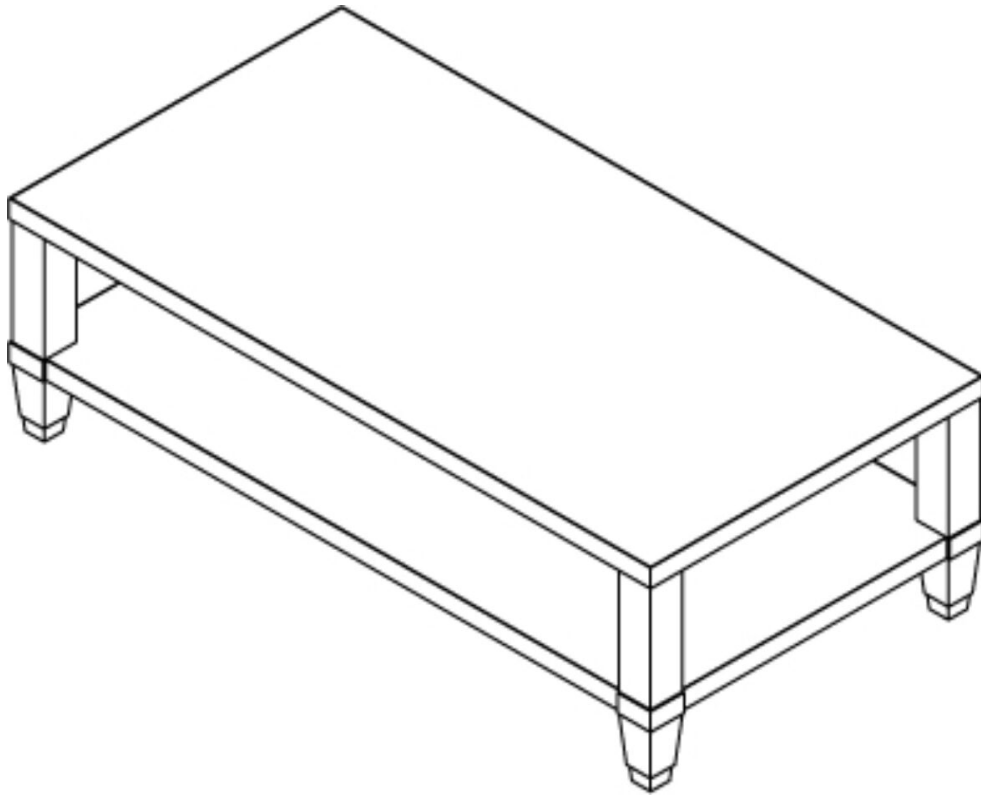


# KARGES

---



68-023

## Facets Two Tiered Cocktail Table – Mahogany

### Facets

Crafted of Mahogany solids and veneers, this table is sleek, contemporary and quintessential Facets. This rectangular cocktail table features clean lines, lower storage shelf and tapered legs with a solid brass or nickel finish ferrule. Also available in Maple (68-021) or Oak (68-022). Options include painted fineline on top and dual finish. Please specify ferrule finish upon ordering. For more information on the array of luxury options with Facets Occasional, [Click Here](#).

**Wood Species:** Mahogany

### Dimensions

**Width:** 54" (137.16 cm)

**Height:** 17" (43.18 cm)

**Depth:** 28" (71.12 cm)

### Contact

616.243.3676  
8am-5pm ET  
[customerservice@kindelfurniture.com](mailto:customerservice@kindelfurniture.com)

### Headquarters

Kindel Grand Rapids  
4047 Eastern Ave SE  
Grand Rapids, MI 49508  
616.243.3676

### High Point Showroom

200 Steele Building  
Suite 103  
High Point, NC 27260