

**ACCENTRA®**

**ASSA ABLOY**

Experience a safer  
and more open world

# AUXILIARY LOCKS

Deadlocks, Padlocks



## TABLE OF CONTENTS

### Contents

<a href="#">ASSA ABLOY ACCENTRA® Solutions</a>	<a href="#">3</a>
<a href="#">Finishes</a>	<a href="#">4</a>
<a href="#">How to Order</a>	<a href="#">5</a>
<a href="#">D Series Cylindrical Deadbolts</a>	<a href="#">6-13</a>
<a href="#">Mortise Deadlocks</a>	<a href="#">14-15</a>
<a href="#">Padlocks</a>	<a href="#">16-20</a>
<a href="#">Auxiliary Rim Locks/Components</a>	<a href="#">21-27</a>
<a href="#">Electrical Switch Cylinders</a>	<a href="#">28</a>
<a href="#">YSSL10 Auxiliary Latch</a>	<a href="#">29</a>

### **WARNING**

This product can expose you to lead which is known to the state of California to cause cancer and birth defects or other reproductive harm. For more information go to [www.P65warnings.ca.gov](http://www.P65warnings.ca.gov).

## AUXILIARY LOCKS

ASSA ABLOY ACCENTRA® provides a wide range of auxiliary and special purpose locks designed to fit a variety of demanding applications. Product offerings include high quality latchlocks, deadlocks, deadbolts and rim locks with both standard and alternative rim cylinders. Special purpose locks and padlocks are also available, completing a collection of dependable products specifically engineered to provide strong security and key control.

Whether your requirements are for a basic or more sophisticated security system, ASSA ABLOY ACCENTRA® has solutions for your commercial needs.

### Products




**FINISHES**

ANSI/BHMA Code Finish Description			
<b>605</b> Bright Brass, Clear Coated	<b>606</b> Satin Brass, Clear Coated	<b>611</b> Bright Bronze, Clear Coated	<b>612</b> Satin Bronze, Clear Coated
			
<b>613E</b> Dark Oxidized Satin Bronze - equivalent	<b>618</b> Bright Nickel Plated, Clear Coated	<b>619</b> Satin Nickel Plated, Clear Coated	<b>625</b> Bright Chrome Plated
			
<b>626*</b> Satin Chrome Plated	<b>629</b> Bright Stainless Steel	<b>630*</b> Satin Stainless Steel	<b>BSP</b> Black Suede Powder Coat
			
<b>693</b> Black Painted			
			

613 and 722 finishes available as Special Product Requests only. Please contact Customer Service for more information.

\*Finish available with MicroShield® antimicrobial coating. Add YMS suffix to order MicroShield antimicrobial coating.

MicroShield coating may vary finish color from architectural standards. MicroShield is not intended as a substitute for traditional infection control programs such as hand hygiene or use of disinfectants. Coated products must still be cleaned to ensure the surfaces will be free of destructive microbes. ASSA ABLOY ACCENTRA® makes no representations or warranties, express or implied, as to the efficacy of MicroShield.

 The Agion antimicrobial is not intended as a substitute for good hygiene. Coated products must still be cleaned to ensure the surfaces will be free of destructive microbes. ASSA ABLOY makes no representations or warranties, express or implied, as to the efficacy of the Agion antimicrobial. A copy of the Agion warranty is available upon request. Agion is a registered trademark of Agion Technologies, Inc., Wakefield, MA, USA.

## HOW TO ORDER

The following is an example order string for reference when placing your order. The item you order may or may not require use of all indicated segments. Please refer to the relevant product page(s) to include all necessary information that will allow us to properly fill your order.

### How To Order D Series Cylindrical Deadbolts

Deadbolt Model Number Description:			
D	X	X	X
Model Number	Grade	Function	Backset "1" = 2-3/8" "2" = 2-3/4"

Function	Hand	Cylinder	Door Thickness	Finish	Keying
D212	RH	1807	1-3/4"	626	KR

### How to Order D Series Cylindrical Deadbolts with Indicators

Function	Hand**	Cylinder	Door Thickness	Finish	Option
D212	RH	1807	1-3/4"	626	V01
D292	RH	N/A	1-3/4"	626	V21F

\*\*Handing must be specified when ordered with indicator options. Units are field reversible.

### How to Order Indicator Retrofit Kit for Keyed Cylindrical Deadbolts

Model #	Finish	Option
AC201	626	V10

Deadbolt not included. Must be ordered separately if required.

### How to Order 350 Series Mortise Deadlocks

Qty.	Model #	Finish	Hand	Strike	Cylinder	Door Thickness	Highest Keying Level	Other*
100	351	612	RH	30S	2153	1-3/4"	MK	1AA

\*Specific keying, 7-pin cylinder, spacer plate, special cylinder rings, etc.

## D SERIES CYLINDRICAL DEADBOLTS

ASSA ABLOY ACCENTRA® D Series cylindrical deadbolts are available certified ANSI/BHMA Grade 1 or Grade 2 to suit a wide variety of commercial applications. These deadbolts can be provided in multiple functions and cylinder configurations with or without status indicators and concealed mounting screws.



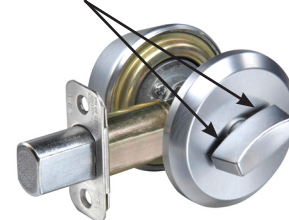
### Technical Information

<b>ANSI/BHMA</b>	D100: Certified ANSI/BHMA A156.36 Grade 1. D200: Certified ANSI/BHMA A156.36 Grade 2.
<b>Fire Listings</b>	D series deadbolts, when used in conjunction with the primary latching device, are UL - cUL listed for use with Classified steel covered composite or hollow metal doors rated up to and including 3 hours; wood and plastic covered composite doors rated up to and including 1-1/2 hours; and wood core doors rated for 20 minutes. Note: Any retrofit or other field modification to a fire rated opening can potentially impact the fire rating of the opening, and ASSA ABLOY ACCENTRA® makes no representations or warranties concerning what such impact may be in any specific situation. When retrofitting any portion of an existing fire rated opening, or specifying and installing a new fire-rated opening, please consult with a code specialist or local code official (Authority Having Jurisdiction) to ensure compliance with all applicable codes and ratings.
<b>Deadbolt</b>	1" (25mm) throw, solid steel deadbolt with hardened, free spinning, steel pin insert.
<b>Fronts</b>	2-1/4" x 1" (57mm x 25mm) front. 1-1/8" (29mm) latch front filler supplied standard with each D series deadbolt.
<b>Strikes</b>	2-3/4" x 1-1/8" (70mm x 29mm) metal and wood door strikes with strike reinforcement supplied standard.
<b>Handing</b>	Functions are non-handed and easily field reversible.
<b>Backset</b>	2-3/4" (70mm) or 2-3/8" (60mm) backset.
<b>Door Thickness</b>	Standard for 1-3/8" (35mm) to 1-3/4" (44mm) thick doors.
<b>Installation</b>	Can be installed on doors prepared to ANSI/SDI A250.14 specifications using a simple bored-hole installation for square or beveled doors, opening in or out.
<b>Finishes</b>	605, 606, 612, 613E, 619, 625, 626, BSP. See page 4 for more information. Cylinders provided in 626, 606 or BSP finish only (exceptions apply, see page 12).
<b>Warranty</b>	1 year mechanical

### Concealed Interior Screws

D100 Series small format interchangeable core (SFIC) by thumbturn deadbolts are available with concealed interior screws. This provides facility managers control for deadbolt installation and removal as the control key is required to access and remove the mounting screws through the core prep. These functions are ideal for use in multifamily housing applications which include apartments, dormitories and military housing.

No visible interior screws



For concealed interior screws, specify the following functions:

Function	Description
B-D171	Cylinder x Thumbturn, 2-3/8" backset
B-D172	Cylinder x Thumbturn, 2-3/4" backset
B-D181	Cylinder x Classroom Thumbturn, 2-3/8" backset
B-D182	Cylinder x Classroom Thumbturn, 2-3/4" backset



## STATUS INDICATORS

Status indicators can be used in a variety of applications and are most commonly used to identify occupancy status of a room.

- Restrooms
- Quiet rooms
- Nursing mother's rooms

### Features:

- Multiple indicator windows
- Large indicator windows
- Color, wording and symbols
- Options for wording/color
- Oversized thumbturn\*
- Patented thumbturn indicator
- Patent pending indicator retrofit kit
- Field reversible for handing



D291/D292 Outside Shown



Thumbturn Indicator Shown

## Deadbolt Status Indicator Availability

### D200 Series Grade 2

- Double indicator provided standard for indicator x blank plate functions (D291/D292)
- Single indicator available as an option for thumbturn on cylinder x thumbturn functions (D211/D212)
- Single indicator retrofit kits available to upgrade outside on cylinder functions (deadbolt provided separately, see chart next page for compatibility)

### D100 Series Grade 1

- Single indicator retrofit kits available to upgrade outside on cylinder functions (deadbolt provided separately, see chart next page for compatibility)

## Indicator Option Codes (Used Only with Blank Plate Function and for Thumbturn Indicator)

Indicator option codes are designed to convey wording and color in one simple code and must be specified when ordering.

Single Indicator			
Available For	Option Code	Inside Wording	Color
D211 D212 Thumbturn	V01	Unlocked/Locked	Green/Red
	V01F	Ouvert/Fermé	Green/Red
	V04	Unlocked/Locked	White/Red

Double Indicator				
Available For	Option Code	Outside Wording	Inside Wording	Color
D291 D292	V21^	Vacant/ Occupied	Unlocked/Locked	Green/Red
	V21F	Libre/Occupée	Ouvert/Fermé	Green/Red
	V54	Vacant/ Occupied	Unlocked/Locked	White/Red

Outside		Inside	
VACANT 	OCCUPIED 	UNLOCKED 	LOCKED 
LIBRE 	OCCUPÉE 	OVERT 	FERMÉ 
VACANT 	OCCUPIED 	UNLOCKED 	LOCKED 

See page 8 for indicator option codes used with retrofit kits.

^ V21 provided standard for D291/D292 unless otherwise specified

\*Oversized thumbturn standard on indicator functions only at this time. Other functions available by special application. Contact customer service for more details.

## STATUS INDICATOR RETROFIT KIT

Retrofit kits are available to provide status indicators for the keyed side of D100 or D200 Series cylindrical deadbolts. Kits include all parts required to upgrade the outside to display Locked/Unlocked status.

### Certifications

UL/cUL Classified for use on 3-hour fire doors using ASSA ABLOY ACCENTRA® D100 or D200 Series deadbolts.

### Kit Models

Separate kits are available to accommodate fixed core cylinders, large format interchangeable core (LFIC) or small format interchangeable core (SFIC).

Model #	Description
AC201	Used with fixed core cylinder deadbolts
AC202	Used with SFIC deadbolts
AC203	Used with LFIC deadbolts

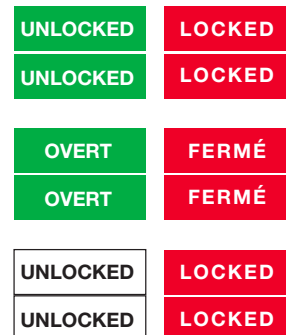


Shown with D200 Series deadbolt (ordered separately)

### Status Indicator Option Codes (Used Only with Retrofit Kits)

Indicator option codes are designed to convey wording and color in one simple code and must be specified when ordering.

Single Indicator			
Available For	Option Code	Outside Wording	Color
AC201	V10	Unlocked/Locked	Green/Red
AC202	V10F	Ouvert/Fermé	Green/Red
AC203	V40	Unlocked/Locked	White/Red



### Kit Finishes

Retrofit kits are available in the following finishes: 605, 612, 613E, 619, 625, 626, BSP

### Kit Compatibility

**Retrofit kits do not include deadbolts. Deadbolts must be ordered separately.**

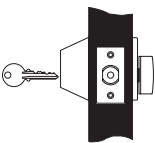

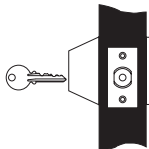
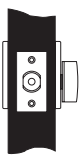
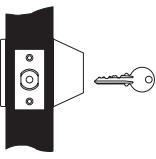
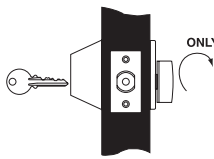
Kits are compatible with the following ASSA ABLOY ACCENTRA® D100 and D200 Series functions:

Function Description	D100 Series Grade 1		D200 Series Grade 2	
	2-3/8" Backset	2-3/4" Backset	2-3/8" Backset	2-3/4" Backset
Cylinder x Thumbturn	D111	D112	D211	D212
Cylinder x Thumbturn w/ Concealed Screws	B-D171	B-D172	—	—
Cylinder x Cylinder (outside only)	D121	D122	D221	D222
Cylinder x Blank Rose (exposed screws)	D131	D132	D231	D232
Blank Plate x Cylinder (no exposed screws)	D151	D152	D251	D252

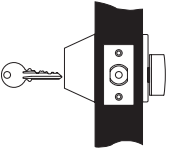
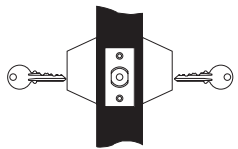
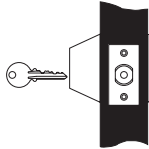
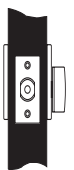
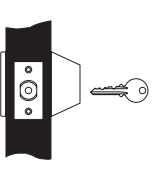
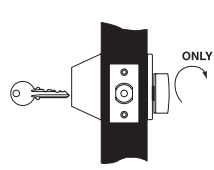
## D SERIES FUNCTIONS

### D100 Series Grade 1

#### 2-3/4" Backset

D112 or B-D172* (E0151)	D122** (E0141)	D132 (E0161)
<p><b>Cylinder x Thumbturn</b></p> <ul style="list-style-type: none"> <li>• Deadbolt operated by key outside, thumbturn inside.</li> </ul>  <p>Outside      Inside</p>	<p><b>Cylinder x Cylinder</b></p> <ul style="list-style-type: none"> <li>• Deadbolt operated by key outside, key inside.</li> </ul>  <p>Outside      Inside</p>	<p><b>Cylinder x Blank Rose</b></p> <ul style="list-style-type: none"> <li>• Deadbolt operated by key outside.</li> <li>• Blank rose with exposed screws inside.</li> </ul>  <p>Outside      Inside</p>
D142 (E01111)	D152 (E0101)	D162 or B-D182* (E0171)
<p><b>Blank Plate x Thumbturn</b></p> <ul style="list-style-type: none"> <li>• Deadbolt operated by thumbturn inside only.</li> </ul>  <p>Outside      Inside</p>	<p><b>Blank Plate x Cylinder</b></p> <ul style="list-style-type: none"> <li>• Deadbolt operated by key inside only.</li> </ul>  <p>Outside      Inside</p>	<p><b>Cylinder x Classroom Thumbturn</b></p> <ul style="list-style-type: none"> <li>• Deadbolt operated by key outside, deadbolt retracted by thumbturn inside.</li> <li>• Thumbturn will not project deadbolt.</li> </ul>  <p>Outside      Inside</p>

#### 2-3/8" Backset

D111 or B-D171* (E0151)	D121** (E0141)	D131 (E0161)
<p><b>Cylinder x Thumbturn</b></p> <ul style="list-style-type: none"> <li>• Deadbolt operated by key outside, thumbturn inside.</li> </ul>  <p>Outside      Inside</p>	<p><b>Cylinder x Cylinder</b></p> <ul style="list-style-type: none"> <li>• Deadbolt operated by key outside, key inside.</li> </ul>  <p>Outside      Inside</p>	<p><b>Cylinder x Blank Rose</b></p> <ul style="list-style-type: none"> <li>• Deadbolt operated by key outside.</li> <li>• Blank rose with exposed screws inside.</li> </ul>  <p>Outside      Inside</p>
D141 (E01111)	D151 (E0101)	D161 or B-D181* (E0171)
<p><b>Blank Plate x Thumbturn</b></p> <ul style="list-style-type: none"> <li>• Deadbolt operated by thumbturn inside only.</li> </ul>  <p>Outside      Inside</p>	<p><b>Blank Plate x Cylinder</b></p> <ul style="list-style-type: none"> <li>• Deadbolt operated by key inside only.</li> </ul>  <p>Outside      Inside</p>	<p><b>Cylinder x Classroom Thumbturn</b></p> <ul style="list-style-type: none"> <li>• Deadbolt operated by key outside, deadbolt retracted by thumbturn inside.</li> <li>• Thumbturn will not project deadbolt.</li> </ul>  <p>Outside      Inside</p>

SFIC or LFIC available, see page 11 for how to order.

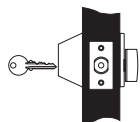
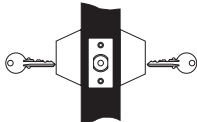
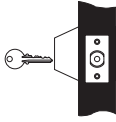
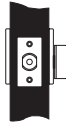
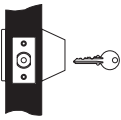
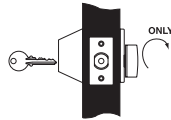
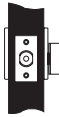
\*Concealed interior screws. Available SFIC only.

\*\*SFIC version features concealed interior screws.

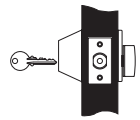
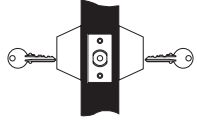
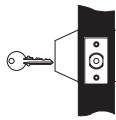

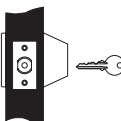
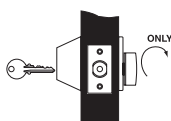
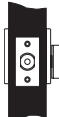
## D SERIES FUNCTIONS

### D200 Series Grade 2

#### 2-3/4" Backset

D212 (E0152)	D222** (E0142)	D232 (E0162)	D242 (E01112)
<p><b>Cylinder x Thumbturn</b></p> <ul style="list-style-type: none"> <li>• Deadbolt operated by key outside, thumbturn inside.</li> <li>• Optional indicator available for thumbturn, see page 7.</li> </ul>  <p>Outside      Inside</p>	<p><b>Cylinder x Cylinder</b></p> <ul style="list-style-type: none"> <li>• Deadbolt operated by key outside, key inside.</li> </ul>  <p>Outside      Inside</p>	<p><b>Cylinder x Blank Rose</b></p> <ul style="list-style-type: none"> <li>• Deadbolt operated by key outside.</li> <li>• Blank rose with exposed screws inside.</li> </ul>  <p>Outside      Inside</p>	<p><b>Blank Plate x Thumbturn</b></p> <ul style="list-style-type: none"> <li>• Deadbolt operated by thumbturn inside only.</li> </ul>  <p>Outside      Inside</p>
D252 (E0102)	D262 (E0172)	D292 (E01112)	
<p><b>Blank Plate x Cylinder</b></p> <ul style="list-style-type: none"> <li>• Deadbolt operated by key inside only.</li> </ul>  <p>Outside      Inside</p>	<p><b>Cylinder x Classroom Thumbturn</b></p> <ul style="list-style-type: none"> <li>• Deadbolt operated by key outside, deadbolt retracted by thumbturn inside.</li> <li>• Thumbturn will not project deadbolt.</li> </ul>  <p>Outside      Inside</p>	<p><b>Indicator x Thumbturn</b></p> <ul style="list-style-type: none"> <li>• Deadbolt operated by thumbturn inside, emergency override key outside.</li> <li>• Indicator standard for both sides of door, specify indicator option code. See page 7.</li> </ul>  <p>Outside      Inside</p>	

#### 2-3/8" Backset

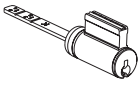
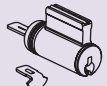
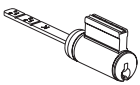
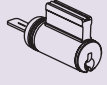
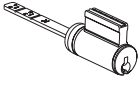
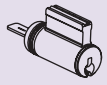
D211 (E0152)	D221* (E0142)	D231 (E0162)	D241 (E01112)
<p><b>Cylinder x Thumbturn</b></p> <ul style="list-style-type: none"> <li>• Deadbolt operated by key outside, thumbturn inside.</li> <li>• Optional indicator available for thumbturn, see page 7.</li> </ul>  <p>Outside      Inside</p>	<p><b>Cylinder x Cylinder</b></p> <ul style="list-style-type: none"> <li>• Deadbolt operated by key outside, key inside.</li> </ul>  <p>Outside      Inside</p>	<p><b>Cylinder x Blank Rose</b></p> <ul style="list-style-type: none"> <li>• Deadbolt operated by key outside.</li> <li>• Blank rose with exposed screws inside.</li> </ul>  <p>Outside      Inside</p>	<p><b>Blank Plate x Thumbturn</b></p> <ul style="list-style-type: none"> <li>• Deadbolt operated by thumbturn inside only.</li> </ul>  <p>Outside      Inside</p>
D251 (E0102)	D261 (E0172)	D291 (E01112)	
<p><b>Blank Plate x Cylinder</b></p> <ul style="list-style-type: none"> <li>• Deadbolt operated by key inside only.</li> </ul>  <p>Outside      Inside</p>	<p><b>Cylinder x Classroom Thumbturn</b></p> <ul style="list-style-type: none"> <li>• Deadbolt operated by key outside, deadbolt retracted by thumbturn inside.</li> <li>• Thumbturn will not project deadbolt.</li> </ul>  <p>Outside      Inside</p>	<p><b>Indicator x Thumbturn</b></p> <ul style="list-style-type: none"> <li>• Deadbolt operated by thumbturn inside, emergency override key outside.</li> <li>• Indicator standard for both sides of door, specify indicator option code. See page 7.</li> </ul>  <p>Outside      Inside</p>	

SFIC or LFIC available, see page 11 for how to order.

\*SFIC version features concealed interior screws.

## D SERIES CYLINDERS/KEYING

### Fixed Core

Illustration	Type	Model Number	Number of Pins
	Standard cylinder for use with DX11, DX12, DX31, DX32, DX51, DX52, DX61, DX62. Includes breakoff tailpiece.	1807	6
	Standard cylinder for use with DX21, DX22. Includes optional tailpiece for 1-3/8" thick doors.	1808	6
	Optional cylinder for use with DX11, DX12, DX31, DX32, DX51, DX52, DX61, DX62	1803-134S	6
	Optional cylinder for use with DX21, DX22	1803-134D	6
	Security cylinder for use with DX11, DX12, DX31, DX32, DX51, DX52, DX61, DX62	5803-134S	6
	Security cylinder for use with DX21, DX22	5803-134D	6

Note: For 'X' in model number, use '1' for D100 Series and '2' for D200 Series.

### Interchangeable Core

Type	Model Number	Number of Pin
Large Format Interchangeable Core	1210	6
Large Format Interchangeable Core	1220	7
Security Large Format Interchangeable Core	5210	6
Security Large Format Interchangeable Core	5220	7
ASSA ABLOY ACCENTRA® KeyMark® Large Format Interchangeable Core	K800	6 or 7 (Specify)
ASSA ABLOY ACCENTRA® KeyMark® Small Format Interchangeable Core	K600	6 or 7 (Specify)



**K800 Shown**



**K600 Shown**

Note: Large Format IC core available for D100 and D200 Series. Specify deadbolt model number x core model number. i.e. D112 x 1210

#### Keying:

All cylinders furnished standard 6-pin, keyed random, pinned to ASSA ABLOY ACCENTRA® .019" specification. Each deadbolt furnished with two nickel silver keys.

#### Options:


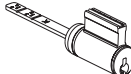
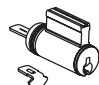
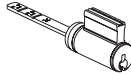
Cylinders available 0-bitted, keyed alike, master keyed or construction master keyed upon request. (ASSA ABLOY ACCENTRA® KeyMark® cylinders not available 0-bitted.)

### Small Format Interchangeable Core

Cylinder Type	Prefix	Ordering Example
SFIC (Accepts all Small Format Interchangeable Cores) 6- or 7-pin.	B	B-D112 x 626 or B-D212 x 626

## D SERIES CYLINDERS/KEYING

### Competitor Keyway Cylinders/Cores

Illustration	Type	Model Number	Number of Pins
	Best® Keyway Core. Available keyed random, master keyed or uncombined. Specify keyway A, B, C, D, E, F, G, H, J, K, L or M.	A600	6 or 7 (Specify)
	Schlage® "C" Keyway Cylinder. For use with DX11, DX12, DX31, DX32, DX51, DX52, DX61, DX62. Includes breakoff tailpiece. Available 0-bitted or keyed random.	2807-C	6
	Schlage® "C" Keyway Cylinder. For use with DX21, DX22. Includes optional tailpiece for 1-3/8" thick doors. Available 0-bitted or keyed random.	2808-C	6
	Corbin Russwin "L4" Keyway Cylinder. Available keyed random.	3806 x L4	6
	Corbin "60" Keyway Cylinder. Available keyed random.	3806 x 60	6
	Russwin "D1" Keyway Cylinder. Available keyed random.	3806 x D1	6
	Sargent "LA" Keyway Cylinder. Available keyed random.	3806 x LA	6
	Schlage® "E" Keyway Cylinder. Available keyed random.	3806 x E	6

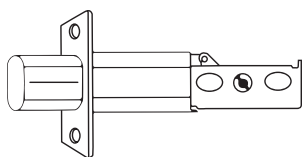
Note: 3806 cylinders are supplied with applicable tailpieces that are needed operate all D Series functions. These cylinders are not ANSI/BHMA certified. A600, 2800 and 3800 cylinders provided in 606 and 626 finishes only.

## D SERIES CYLINDRICAL DEADBOLTS

### Deadbolt Assemblies

Model No.	Backset	Throw	Front
D34	2-3/4" (70mm)	1" (25mm)	Square 2-1/4" x 1" (57mm x 25mm)
D38	2-3/8" (60mm)	1" (25mm)	Square 2-1/4" x 1" (57mm x 25mm)
D34R	2-3/4" (70mm)	1" (25mm)	Radius 2-1/4" x 1" (57mm x 25mm)
D38R	2-3/8" (60mm)	1" (25mm)	Radius 2-1/4" x 1" (57mm x 25mm)

Note: 1-1/8" (29mm) Front filler supplied standard with all square corner fronts.



### Strikes

Each D series deadbolt furnished standard with metal frame strike, wood frame strike and strike reinforcement.

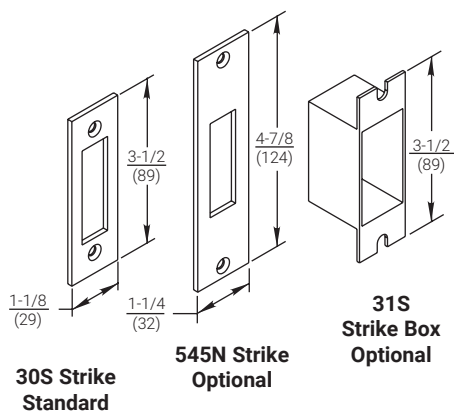
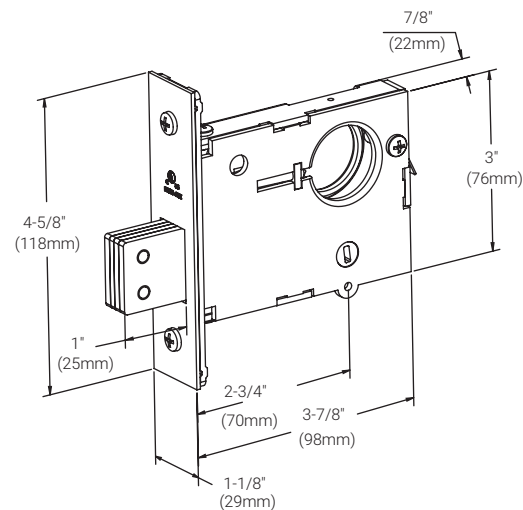
<b>Model D243 Metal Frame Strike</b>	<b>Model D243 Wood Frame Strike</b>	<b>Model D244 Strike Reinforcement</b>

Note: Model D243 is a strike packet which includes both wood and metal frame strikes and corresponding screws.

## 350 SERIES MORTISE DEADLOCKS

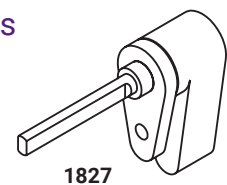
### Technical Information

Description	350
Application	Mortise installation for 1-3/4" (44mm) doors, unless otherwise specified. 3" thick doors maximum for thumbturn functions.
Backset	2-3/4" (70mm) only.
Door Prep	Refer to template number 7003-1008
Fire Listings	350 series deadlocks, when used in conjunction with the primary latching device, are UL - cUL listed for use on fire doors having a rating up to and including 3 hours. In addition, the 350 series are cUL listed for use on wood doors having a rating up to and including 90 minutes. Note: Any retrofit or other field modification to a fire rated opening can potentially impact the fire rating of the opening, and ASSA ABLOY ACCENTRA® makes no representations or warranties concerning what such impact may be in any specific situation. When retrofitting any portion of an existing fire rated opening, or specifying and installing a new fire-rated opening, please consult with a code specialist or local code official (Authority Having Jurisdiction) to ensure compliance with all applicable codes and ratings.
Handing	Functions are non-handed and easily field reversible.
Deadbolt	Laminated stacked steel with hardened pin, 1" (25mm) throw.
Front	4-5/8" x 1-1/8" (117mm x 29mm) Brass, bronze or stainless steel. Adjustable to accommodate flat or beveled-edged doors (bevel adjustment 1/8" in 2" (3mm in 51mm)).
Case	Heavy wrought steel, zinc plated and dichromated.
Finishes	605, 606, 611, 612, 613E, 618, 619, 625, 626, 629, 630, 693, BSP. See page 4 for more information.
Strike	3-1/2" x 1-1/8", model number 30S provided standard. 4-7/8" x 1-1/4", model number 545N optional. Optional wrought box model number 31S available to order.



### Thumbturn Assemblies

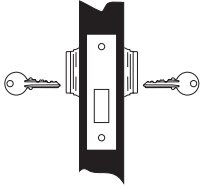
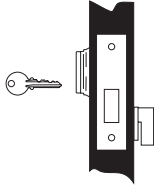


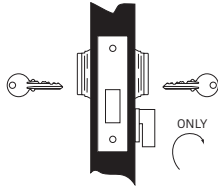
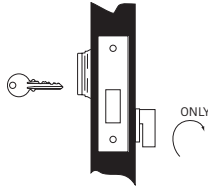
Used with all 350 series locks that have a thumbturn.



Dimensions are shown in inches (millimeters).

## 350 SERIES MORTISE DEADLOCKS

### Functions

<p><b>351</b> Deadbolt operated by key outside and inside.</p>	<p><b>352</b> Deadbolt operated by key outside and thumbturn inside.</p>	<p><b>353</b> Deadbolt operated by key outside only. No inside operation.</p>
		
<p>Outside                      Inside</p>	<p>Outside                      Inside</p>	<p>Outside                      Inside</p>
<p><b>354</b> Deadbolt operated by thumbturn inside only. No outside operation.</p>	<p><b>356</b> Deadbolt operated by key outside and inside. Inside thumbturn will retract deadbolt, but will not project it. Uses classroom function lockbody.</p>	<p><b>357</b> Deadbolt operated by key outside. Inside thumbturn will retract deadbolt, but will not project it. Uses classroom function lockbody.</p>
		
<p>Outside                      Inside</p>	<p>Outside                      Inside</p>	<p>Outside                      Inside</p>

### Cylinders

1-1/8", 6-pin fixed core mortise cylinder, model number 2153 x 2160 cam provided standard.

Model Number	Description	Length	Cam	Collar*
2153	6-pin fixed core	1-1/8"	2160	1767.250
2153	7-pin fixed core	1-1/4"	2160	1765.375
2196	6-pin LFIC complete	1-1/2"	2160	1765.656
2197	7-pin LFIC complete	1-11/16"	2160	1765.844
5153	6-pin security fixed core	1-1/8"	2160	1765.250
5153	7-pin security fixed core	1-1/4"	2160	1765.375
5196	6-pin security LFIC complete	1-1/2"	2160	1765.656
5197	7-pin security LFIC complete	1-11/16"	2160	1765.844
K100	6- or 7-pin ASSA ABLOY ACCENTRA® KeyMark® fixed core	1-1/8"	KC1	1765.312
K820	6-pin ASSA ABLOY ACCENTRA® KeyMark® LFIC complete	1-1/2"	KC1	1765.656
K820	7-pin ASSA ABLOY ACCENTRA® KeyMark® LFIC complete	1-11/16"	KC1	1765.844
K620	6-pin ASSA ABLOY ACCENTRA® KeyMark® SFIC complete	1-1/4"	KC1	1765.375
K620	7-pin ASSA ABLOY ACCENTRA® KeyMark® SFIC complete	1-3/8"	KC1	1765.563
A620	6-pin Best® keyway SFIC complete	1-1/4"	KC1	1765.375
A620	7-pin Best® keyway SFIC complete	1-3/8"	KC1	1765.563

\*1-3/4" thick doors. For other door thicknesses, contact Technical Support. Collar must be specified when cylinder ordered separately.

## PD400 SERIES PADLOCKS

### Features

**Case:** Chrome Plated Steel

**Shackle:** High strength molybdenum alloy steel. Rust resistant with a chrome finish.

**Shackle Diameter:** 5/16" (8mm)

**Shackle Locking:** Two hardened steel balls at heel and toe of shackle.

**Extended Shackles:** Optional shackles with 2" and 3" vertical clearance are available to order.

**Chains:** Optional 9" chains available with clevis around shackle. To order with padlocks specify suffix:

- "S42A" = brass chain
- "S42S" = steel chain

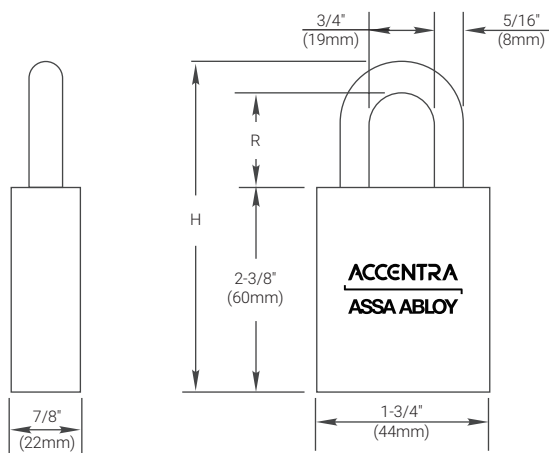
See page 18 for chains ordered separately.

**Keying:** 6-pin only. Furnished standard with ASSA ABLOY ACCENTRA® 1801 type component cylinder; available KA, KD or master keyed only (not available 0-bitted or unassembled). Not re-keyable.

**Keys:** Two nickel silver change keys supplied with each padlock.



### Dimensions And Details



Model Numbers		Description	Vertical Clearance (R)	Overall Height (H)	Pins
Molybdenum Steel Shackle	Brass Shackle				
PD416	PD416B*	Fixed Core	1-1/16" (27mm)	3-3/4" (95mm)	6
PD2416	PD2416B*	Fixed Core	2" (51mm)	4-3/8" (111mm)	6
PD3416*	PD3416B*	Fixed Core*	3" (76mm)*	5-3/8" (137mm)*	6*

Note: All dimensions are in inches and are to the nearest 1/16" (2mm). Dimensions are nominal.

\*Items are discontinued and orders being accepted as inventory allows. Items no longer available after Sept 1, 2026.

## PD500 SERIES PADLOCKS

Available in fixed core, large format interchangeable core (LFIC), and small format interchangeable core (SFIC).

### Features

**Case:** Solid Brass

**Shackle:** High strength molybdenum alloy steel. Rust resistant with a chrome finish. Optional brass shackles available.

**Shackle Diameter:** 3/8" (10mm) or 5/16" (8mm)

**Shackle Locking:** Two hardened steel balls at heel and toe of shackle.

**Extended Shackles:** Optional shackles with 2" and 3" vertical clearance are available to order.

**Chains:** Optional 9" chains available with clevis around shackle or riveted to case. To order with padlocks specify suffix:

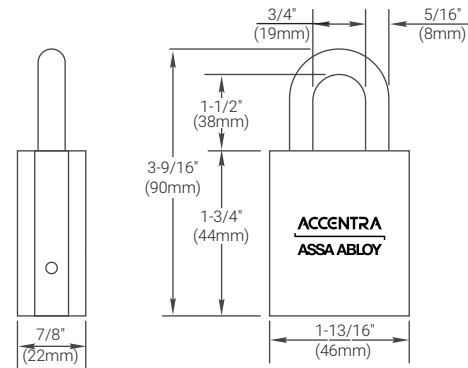
- for clevis around shackle
  - "S42A" = brass chain
  - "S42S" = steel chain
- for clevis riveted to case
  - "C42A" = brass chain
  - "C42S" = steel chain

See page 18 for chains ordered separately.

**Keys:** Two nickel silver change keys supplied with each padlock. Control key quantity must be specified for interchangeable core.



### Dimensions And Details



Model Numbers		Description	Case Height (C)	Vertical Clearance (R)	Diameter (S)	Overall Height (H)	Pins
Molybdenum Steel Shackle	Brass Shackle						
PD514	PD514B*	LFIC	2-5/16" (59mm)	1-1/16" (27mm)	5/16" (8mm)	3-3/4" (95mm)	6
PD2514	PD2514B*	LFIC		2" (51mm)		4-3/8" (111mm)	6
PD3514	PD3514B*	LFIC		3" (76mm)		5-3/8" (137mm)	6
PD515*	PD515B*	SFIC*	2-1/4" (57mm)	1-1/16" (27mm)*		3-5/8" (91mm)*	6 or 7*
PD2515	PD2515B*	SFIC		2" (51mm)		4-9/16" (115mm)	6 or 7
PD3515*	PD3515B*	SFIC*		3" (76mm)*		5-5/8" (142mm)*	6 or 7*
PD516	PD516B	Fixed Core	2-5/16" (59mm)	1-1/16" (27mm)		3-3/4" (95mm)	6
PD2516	PD2516B	Fixed Core		2" (51mm)		4-3/8" (111mm)	6
PD3516	PD3516B	Fixed Core		3" (76mm)		5-3/8" (137mm)	6
PD524	PD524B*	LFIC		1-1/16" (27mm)		3-3/4" (95mm)	6
PD2524	PD2524B*	LFIC		2" (51mm)		4-3/8" (111mm)	6
PD3524	PD3524B*	LFIC		3" (76mm)		5-3/8" (137mm)	6
PD534	PD534B*	LFIC		1-1/16" (27mm)	3-3/4" (95mm)	7	
PD2534	PD2534B*	LFIC		2" (51mm)	4-3/8" (111mm)	7	
PD3534	PD3534B*	LFIC		3" (76mm)	5-3/8" (137mm)	7	
PD525*	PD525B*	SFIC*		1-1/16" (27mm)*	3-3/4" (95mm)*	6 or 7*	
PD2525*	PD2525B*	SFIC*		2" (51mm)*	4-3/8" (111mm)*	6 or 7*	
PD3525*	PD3525B*	SFIC*		3" (76mm)*	5-3/8" (137mm)*	6 or 7*	
PD526	PD526B	Fixed Core		1-1/16" (27mm)	3-3/4" (95mm)	6	
PD2526	PD2526B	Fixed Core		2" (51mm)	4-3/8" (111mm)	6	
PD3526	PD3526B	Fixed Core		3" (76mm)	5-3/8" (137mm)	6	

Note: All dimensions are in inches and are to the nearest 1/16" (2mm). Dimensions are nominal.

\*Items are discontinued and orders being accepted as inventory allows. Items no longer available after Sept 1, 2026.

## PD500 SERIES PADLOCKS

**Keying:** Padlocks available 0-bitted, uncombined, keyed alike keyed different or master keyed. Note: ASSA ABLOY ACCENTRA® KeyMark® cylinders and cores are not available 0-bitted.

**LFIC** – Padlocks furnished standard less core. Available for ASSA ABLOY ACCENTRA® 6- or 7-pin large format interchangeable cores. Specify core and keying required.

**Cores:**

Model Number	Description
1210	6-pin Conventional
1220	7-pin Conventional
5210	6-pin Security
5220	7-pin Security
K800	6- or 7-pin ASSA ABLOY ACCENTRA® KeyMark® (Specify number of pins required)

**SFIC** – Padlocks furnished standard less core. Available for 6- or 7-pin small format interchangeable core. Specify core and keying if required.

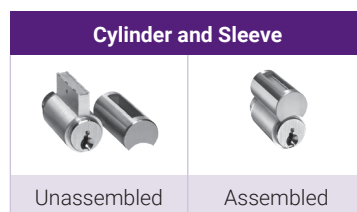
**Cores:**

Model Number	Description
K600	6- or 7-pin ASSA ABLOY ACCENTRA® KeyMark® (Specify number of pins required)
A600	6- or 7-Pin Best® Keyway (Specify keyway and number of pins required)

**Fixed Core** – Available in 6-pin only. Furnished standard with ASSA ABLOY ACCENTRA® 1801 type component cylinder for easy re-keying in field. Security and ASSA ABLOY ACCENTRA® KeyMark® cylinders available to order. Less cylinder also available, specify "x LC". Padlocks provided less cylinder are furnished with cylinder sleeve and adaptor.

**Cylinders:**

Model Number	Description
1801	Standard
5801	Security
K400	ASSA ABLOY ACCENTRA® KeyMark®
2801	Schlage® C Keyway (0-bitted or keyed random only)



## PD600 SERIES PADLOCKS

### Features

**Case:** Solid brass

**Shackle:** High strength molybdenum alloy steel with 2" vertical clearance. Rust resistant with a chrome finish.

**Shackle Diameter:** 5/16" (8mm)

**Shackle Locking:** Two hardened steel balls at heel and toe of shackle.

**Chains:** Optional 9" chains available with clevis around shackle or riveted to case. To order with padlocks specify suffix:

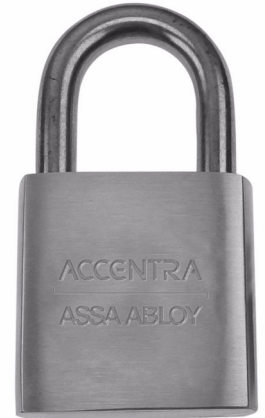
- for clevis around shackle
  - "S42A" = brass chain
  - "S42S" = steel chain
- for clevis riveted to case
  - "C42A" = brass chain
  - "C42S" = steel chain

See page 18 for chains ordered separately.

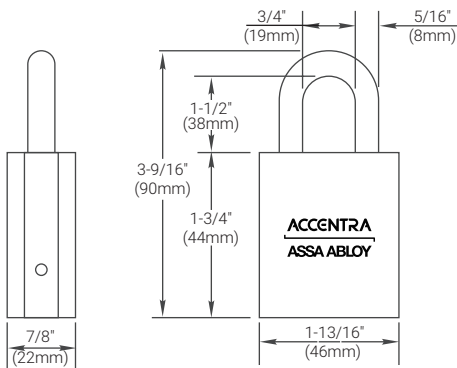
**Keying:** 6-pin only. Furnished standard with ASSA ABLOY ACCENTRA® 1801 type component cylinder; available KA, KD or master keyed (not available 0-bitted or unassembled). Not re-keyable.

**Keys:** Two nickel silver change keys supplied with each padlock.

Note: The PD616 padlocks are key retaining. This means that the key cannot be removed from the padlock while the shackle is in the "unlocked" position. The key can only be removed if the shackle is in the "locked" position.



### Dimensions And Details



Model Numbers	Description	Vertical Clearance (R)	Overall Height (H)	Pins
Molybdenum Steel Shackle				
PD616*	Fixed Core*	1-3/16" (30mm)*	3-1/4" (82mm)*	6*
PD2616	Fixed Core	1-1/2" (38mm)	3-9/16" (90mm)	6

Note: All dimensions are in inches and are to the nearest 1/16" (2mm). Dimensions are nominal.

\*Items are discontinued and orders being accepted as inventory allows. Items no longer available after Sept 1, 2026.

## PADLOCK CHAINS



525 shown.

Model No.	Material	Minimum Length	Shackle Diameter	Gauge Size
42A	Brass	9" (229mm)	9/32"–5/16" (7mm-8mm)	15
42S	Steel	9" (229mm)	9/32"–5/16" (7mm-8mm)	15

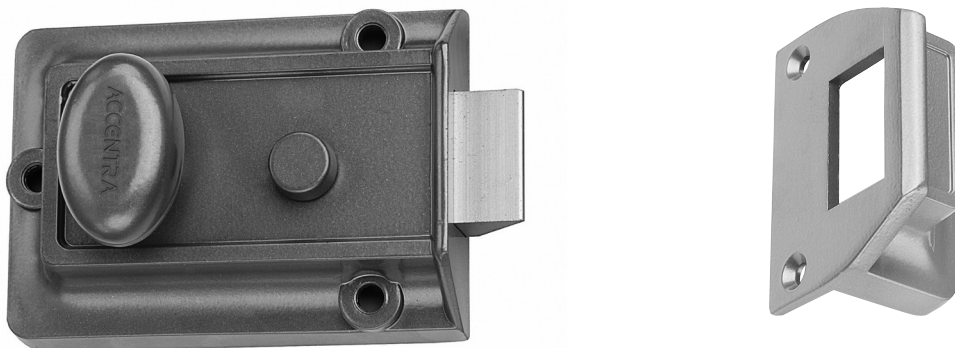
Chains are used with PD400, PD500 and PD600 series padlocks. All chains are double-link type.

42A and 42S chains riveted to case.  
Specify suffix "C42A" or "C42S".



42A and 42S chains with clevis.  
Specify suffix "S42A" or "S42S".

## SECURITY LATCHLOCK 80



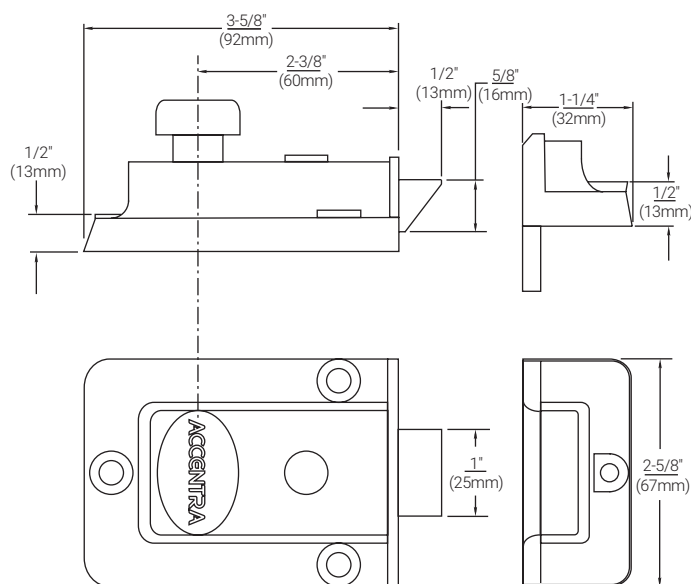
### Operation

**Outside:** Furnished standard with 5-pin rim cylinder 1109E.

**Inside:** Bolt can be deadlocked or held back by slide button, rendering the lock inoperable by key or knob.

Model Numbers	
80	Boxed
V80	Visual Pack

### Dimensions And Details



### Technical Information

Description	80
Backset	2-3/8" (60mm)
Material	Zinc Alloy
Springbolt Length	1/2" (13mm)
Reversible Latchbolt	Yes, order #8RB Strike
Cylinder	1109E - Brass 5-pin with anti-pick mushroom drivers
Case Finishes	Sprayed Brass only
Cylinder Finish	Brass
2 Keys	RB8
Door Thickness	1-3/8" to 2-1/4" (35mm-57mm)

Dimensions are shown in inches (millimeters).

## SECURITY LATCHLOCK 88

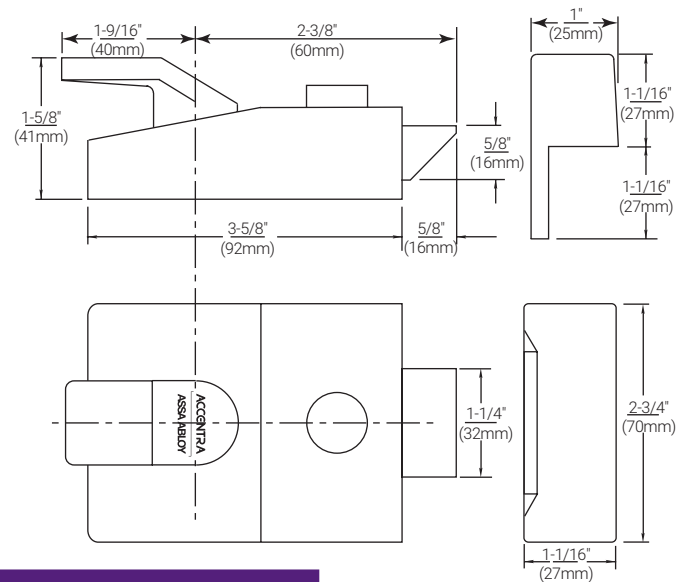


### Operation

**Outside:** Furnished standard with 5-pin rim cylinder 1109E.

**Inside:** Bolt can be deadlocked or held back by slide button, rendering the lock inoperable by key or handle.

### Dimensions And Details



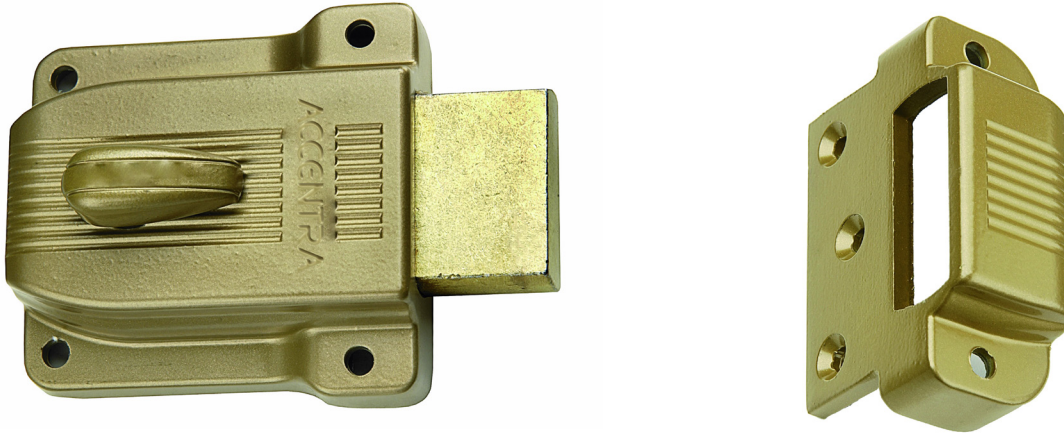
Model Numbers	
88	Boxed

### Technical Information

Description	88
Backset	2-3/8" (60mm)
Material	Zinc Alloy
Springbolt Length	5/8" (16mm)
Reversible Latchbolt	Yes, order #8RB Strike
Cylinder	1109E - Brass 5-pin with anti-pick mushroom drivers
Case Finishes	Dark Metallic Grey only
Cylinder Finish	Brass
2 Keys	RB8
Door Thickness	1-3/8" to 2-1/4" (35mm-57mm)

Dimensions are shown in inches (millimeters).

## HEAVY-DUTY LATCHBOLT 112

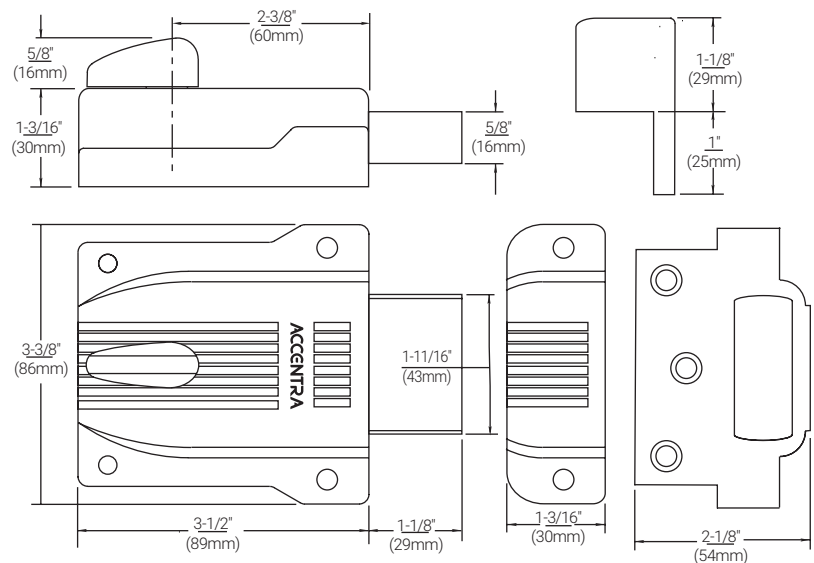


### Operation

**Outside:** Furnished standard with 5-pin rim cylinder 1109E.

**Inside:** 180° turn of the thumbturn throws or retracts deadbolt. Also available with flat strike, model no. 112F (for outswinging doors).

### Dimensions And Details



Model Numbers	
112	Boxed
112F	Flat Strike, Boxed

### Technical Information

Description	112
Backset	2-3/8" (60mm)
Material	Zinc Alloy
Springbolt Length	1-1/8" (29mm)
Cylinder	1109E Brass 5-pin with anti-pick mushroom drivers
Case Finishes	Sprayed Brass only
Cylinder Finish	Brass
2 Keys	RB8
Door Thickness	1-3/8" to 2-1/4" (35mm-57mm)

Dimensions are shown in inches (millimeters).

## HEAVY-DUTY DEADBOLT 112-1/4



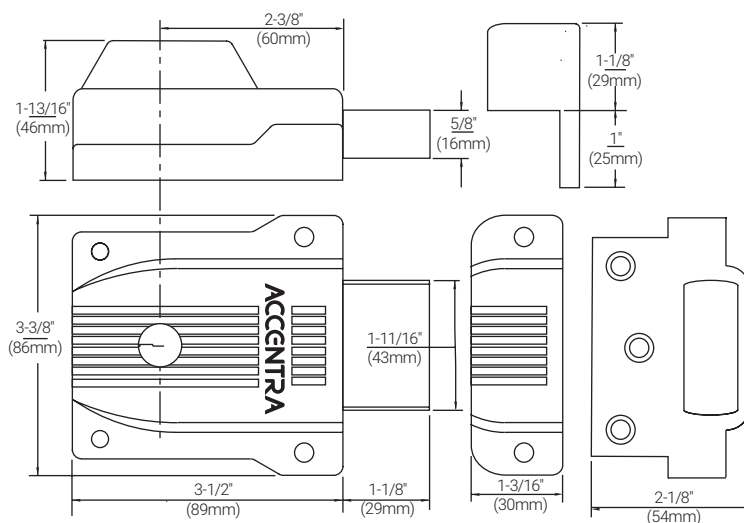
### Operation

**Outside:** Furnished standard with 5-pin rim cylinder 1109E.

**Inside:** Turning the key throws or retracts the deadbolt. Also available with flat strike, model no. 112-1/4F (for outswinging doors).

Model Numbers	
112-1/4	Boxed
112-1/4F	Flat Strike, Boxed

### Dimensions And Details



### Technical Information

Description	112-1/4
Backset	2-3/8" (60mm)
Material	Zinc alloy
Deadbolt Length	1-1/8" (29mm)
Cylinder (Outside)	1109E Brass 5-pin with anti-pick mushroom drivers
Cylinder (Inside)	Fixed 3-pin Brass cylinder. No alternatives.
Case Finishes	Sprayed Brass only
Cylinder Finish	Brass
2 Keys	RB8
Door Thickness	1-3/8" to 2-1/4" (35mm-57mm)

Dimensions are shown in inches (millimeters).

## JIMMY-PROOF DEADLOCK 197



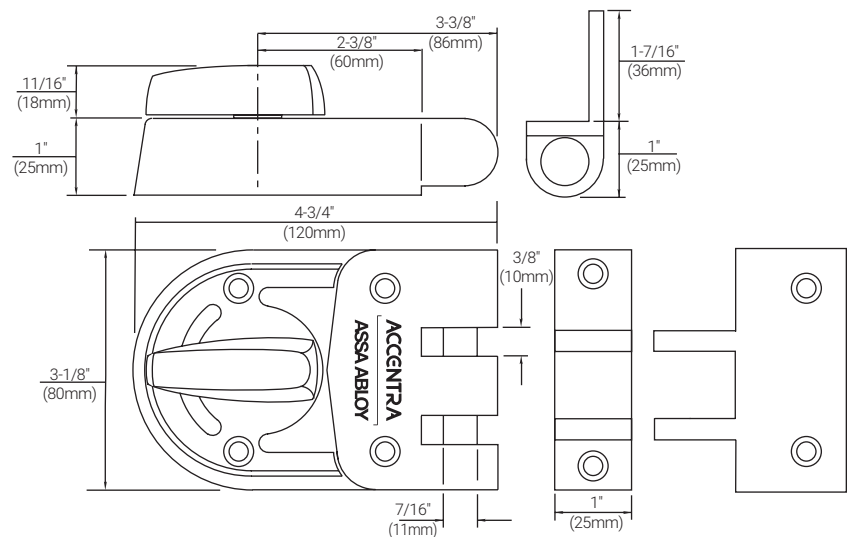
### Operation

**Outside:** Furnished standard with 5-pin rim cylinder 1109E.

**Inside:** 90° turn of the thumbturn locks or unlocks deadbolt. Also available with flat strike, model no. 197F (for outswinging doors).

Model Numbers	
197	Boxed
V197	Visual Pack
197F	Flat Strike, Boxed

### Dimensions And Details



### Technical Information

Description	197
Backset	2-3/8" (60mm)
Material	Zinc Alloy
Deadbolt Length	N/A
Reversible Latchbolt	N/A
Cylinder	1109E - Brass 5-pin with anti-pick mushroom drivers
Case Finishes	Sprayed Bronze only
Cylinder Finish	Brass
2 Keys	RB8
Door Thickness	1-3/8" to 2-1/4" (35mm-57mm)

Dimensions are shown in inches (millimeters).

## JIMMY-PROOF DEADLOCK 197-1/4



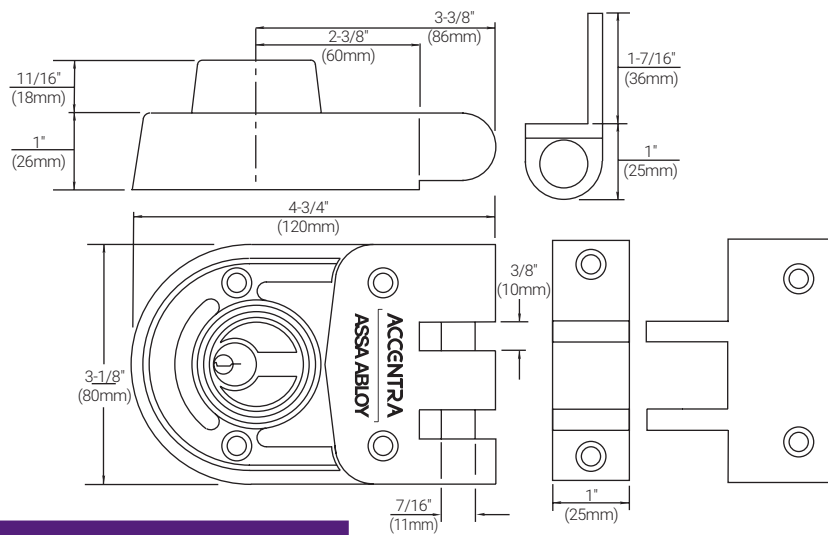
### Operation

**Outside:** Furnished standard with 5-pin rim cylinder 1109E.

**Inside:** Key locks or unlocks deadbolt. Also available with flat strike, model no. 197-1/4F (for outswinging doors).

Model Numbers	
197-1/4	Boxed
V197-1/4	Visual Pack
197-1/4F	Flat Strike, Boxed

### Dimensions And Details



### Technical Information

Description	197-1/4
Backset	2-3/8" (60mm)
Material	Zinc Alloy
Deadbolt Length	N/A
Reversible Latchbolt	N/A
Cylinder (Outside)	1109E Brass 5-pin with anti-pick mushroom drivers
Cylinder (Inside)	Fixed 3-pin Brass cylinder. No alternatives.
Case Finishes	Sprayed Bronze only
Cylinder Finish	Brass
2 Keys	RB8
Door Thickness	1-3/8" to 2-1/4" (35mm-57mm)

Dimensions are shown in inches (millimeters).

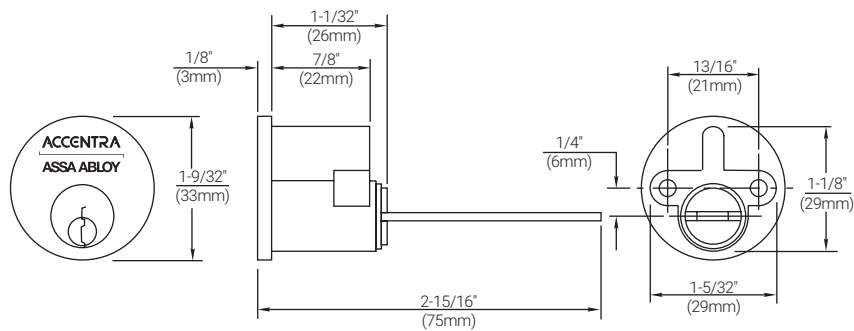
## AUXILIARY RIM LOCK COMPONENTS

### Cylinders

ASSA ABLOY ACCENTRA® auxiliary rim locks 80, 88, 112, 112-1/4, 197, and 197-1/4 are shipped standard with an 1109E brass, 5-pin, E1R (PARA) section rim cylinder. The 1109E is not available as a replacement cylinder.

Note: 1109E depths and spacings are not compatible with other cylinders available from ASSA ABLOY ACCENTRA® Locks & Hardware.

For alternative rim cylinders, refer to ASSA ABLOY ACCENTRA® KeyMark® and/or ASSA ABLOY ACCENTRA® Cylinder and Keys catalog sections.



### Strikes

<p><b>No. 197FS Flat Strike</b></p>	<p><b>No. 112FS Flat Strike</b></p>	<p><b>No. 8RB Rim Strike</b></p>
<p>Used with 197F and 197-1/4F for outswing doors.</p>	<p>Used with 112F and 112-1/4F for outswing doors.</p>	<p>Used with 80 and 88 for outswing doors.</p>

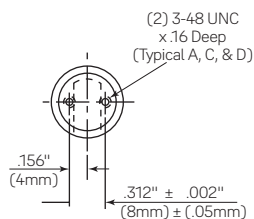
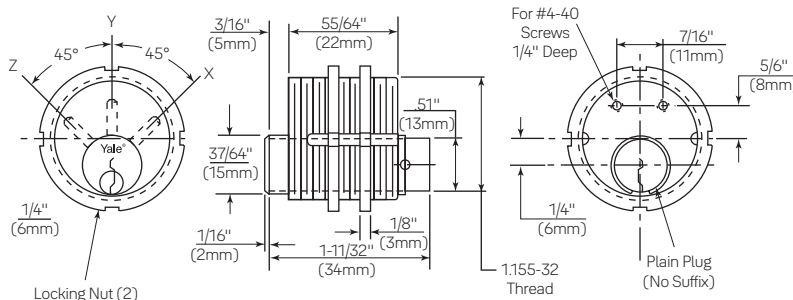
Dimensions are shown in inches (millimeters).

## C900 SERIES ELECTRICAL SWITCH CYLINDERS

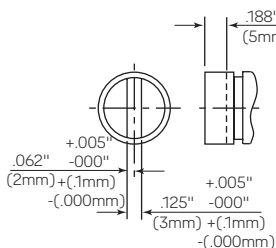


**Operation:** Key rotates plug 360°. Key removable in one, two, or three positions.  
**Material:** Brass and bronze. Brass attaching nuts.

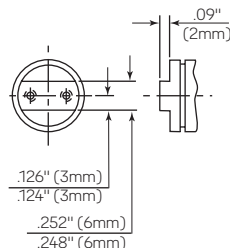
**Finishes:** 606, 626.  
**Keying:** 5-pin tumblers; two No. 11 keys.  
**Cylinder Nut:** Part No. 60-7000-2421-000



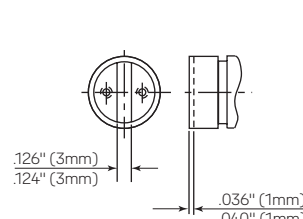
"A"



"B"



"C"



"D"

### One-Position Key Removable

Model No.	Key Rem. Pos.	Plug Config.	Old Model No.
C910	Y	Plain	C950
C910A	Y	A	C950A
C910B	Y	B	C950B
C910C	Y	C	C954A
C910D	Y	D	C950A
C911	Z	Plain	C951
C911A	Z	A	C951B
C911B	Z	B	C951D
C911C	Z	C	--
C911D	Z	D	--

### Two-Position Key Removable

Model No.	Key Rem. Pos.	Plug Config.	Old Model No.
C920	X-Y	Plain	C960
C920A	X-Y	A	C960A
C920B	X-Y	B	C960B
C920C	X-Y	C	C952A
C920D	X-Y	D	--
C921	Y-Z	Plain	--
C921A	Y-Z	A	C951A
C921B	Y-Z	B	C951C
C921C	Y-Z	C	C953A
C921D	Y-Z	D	--
C922	X-Z	Plain	C972
C922A	X-Z	A	--
C922B	X-Z	B	--
C922C	X-Z	C	--
C922D	X-Z	D	--

### Three-Position Key Removable

Model No.	Key Rem. Pos.	Plug Config.	Old Model No.
C930	X-Y-Z	Plain	C971
C930A	X-Y-Z	A	C971A
C930B	X-Y-Z	B	C971B
C930C	X-Y-Z	C	--
C930D	X-Y-Z	D	--

### When Ordering

Specify keyway and bitting No. (C910 and C911 models can be master keyed). Specify finish. (Standard finishes 606 and 626.)

Dimensions are shown in inches (millimeters).

## YSSL10 AUXILIARY LATCH



Security SideLite offered through  
CECO and CURRIES

The YSSL10 is a spring loaded latchbolt which is operated by a thumbturn on the inside of the door. The outside does not offer operation. This latch is only recommended for areas with alternate exits.

The YSSL10, when combined with ASSA ABLOY Group brands CECO and CURRIES' Security SideLite doors, offers an effective solution for privacy or lockdown situations.

### Applications

- Security SideLite doors offered by CECO and CURRIES
- Dutch doors
- Communicating doors
- Shallow closets

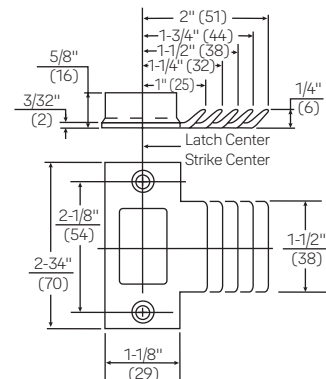
### Technical Information

Description	YSSL10
ADA	ADA compliant thumbturn.
Fire Listings	UL - cUL fire rated up to 3 hours.
Backset	2-3/4" (70mm) only.
Latchbolt	1/2" (13mm) brass throw.
Door Thickness	1-3/4" (44mm) only.
Front	2-1/4" x 1" (57mm x 25mm) flat front.
Handing	Functions are non-handed and easily field reversible.
Finishes	605, 606, 612, 625, 626
Strike	1-1/4" (32mm) curved lip standard (model number 371).
Warranty	1 year mechanical

### Strike

#### Model No. 371 T-Strike

1-1/4" curved lip standard. 1", 1-1/2", 1-3/4", and 2" curved lip lengths available by special order. Wrought strike box supplied.



The ASSA ABLOY Group is the global leader in access solutions.  
Every day, we help billions of people experience a more open world.

ASSA ABLOY Opening Solutions leads the development within door openings and products for access solutions in homes, businesses and institutions. Our offering includes doors, frames, door and window hardware, mechanical and smart locks, access control and service.

**ACCENTRA®**  
**ASSA ABLOY**

**TECHNICAL SUPPORT**

(troubleshooting, product use and application, returns)

Tel: 855-557-5078

Email: [techsupport.accentra@assaabloy.com](mailto:techsupport.accentra@assaabloy.com)

**CUSTOMER SUPPORT**

(orders, product configuration, pricing, lead-time)

Tel: 855-557-5078 x2

Email: [Customerservice.Accentra@assaabloy.com](mailto:Customerservice.Accentra@assaabloy.com)

**U.S.A.:**

ASSA ABLOY ACCENTRA®  
225 Episcopal Road  
Berlin, CT 06037-4004  
Tel: 1-800-438-1951  
Fax: 1-800-338-0965  
[www.accentra-assaabloy.com](http://www.accentra-assaabloy.com)

**Canada:**

ASSA ABLOY Door Security Solutions Canada  
160 Four Valley Drive  
Vaughan, Ontario L4K 4T9  
Tel: 1-800-461-3007  
Fax: 1-800-461-8989  
[assaabloydss.ca](http://assaabloydss.ca)

**International:**

ASSA ABLOY Americas International  
Tel: 1-905-821-7775  
Fax: 1-905-821-1429  
[assaabloyai.com](http://assaabloyai.com)