

DC5200 Series Cam Action Door Closer

PRODUCT CATALOG



Experience a safer
and more open world

Introduction

TABLE OF CONTENTS

Introduction	2
Overview, Certifications	3
Standard Applications	4
Optional Applications	5
Function	6
Accessories	7
Parts List	7
How to Order	8
Quick Codes	8
Specifications	9

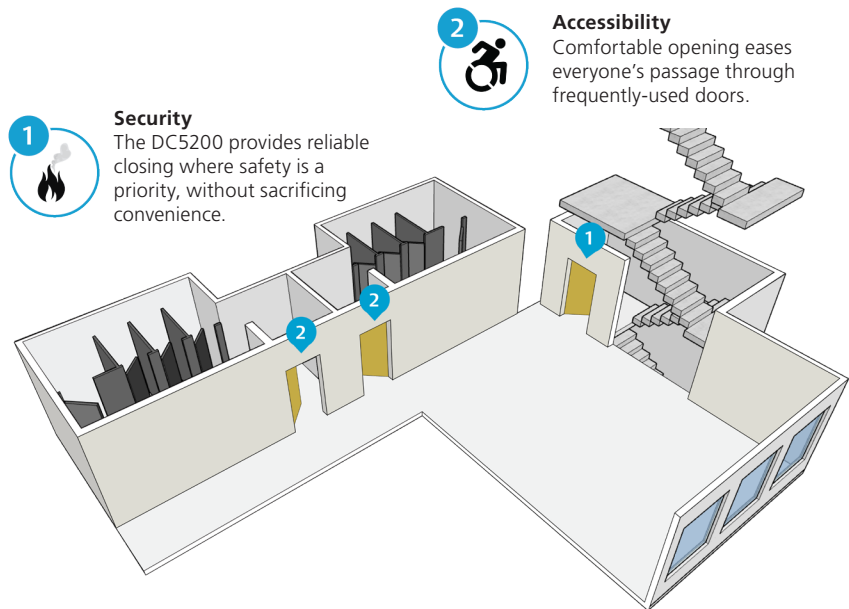
EASY OPEN - SECURE CLOSE

The DC5200 cam action door closer is designed to make doors easy to open while maintaining enough force to close doors securely. The DC5200 is one closer and track assembly that can support up to four installation positions and has a unique arm to simplify installation.

Ideal for applications where both security and accessibility are a priority.

FEATURES

- Cast aluminum body
- Adjustable spring size 1 through 6
- Door weight: 250 lbs.
- Non-handed
- Unique spline arm
- Push and pull side installation, door or frame mounted
- Hold open: specify DC5200 x A1
- Sex nuts (optional), specify M54
- Adjustable closing force
- Adjustable closing and latching speed
- Backcheck standard
- Door Size:
 - Suitable for exterior and interior doors
 - Recommended maximum interior door width 54" (137)
 - Standard opening range:
Pull Side = 140°, Push Side = 110°
- 30-year limited warranty



Security
The DC5200 provides reliable closing where safety is a priority, without sacrificing convenience.

Accessibility
Comfortable opening eases everyone's passage through frequently-used doors.

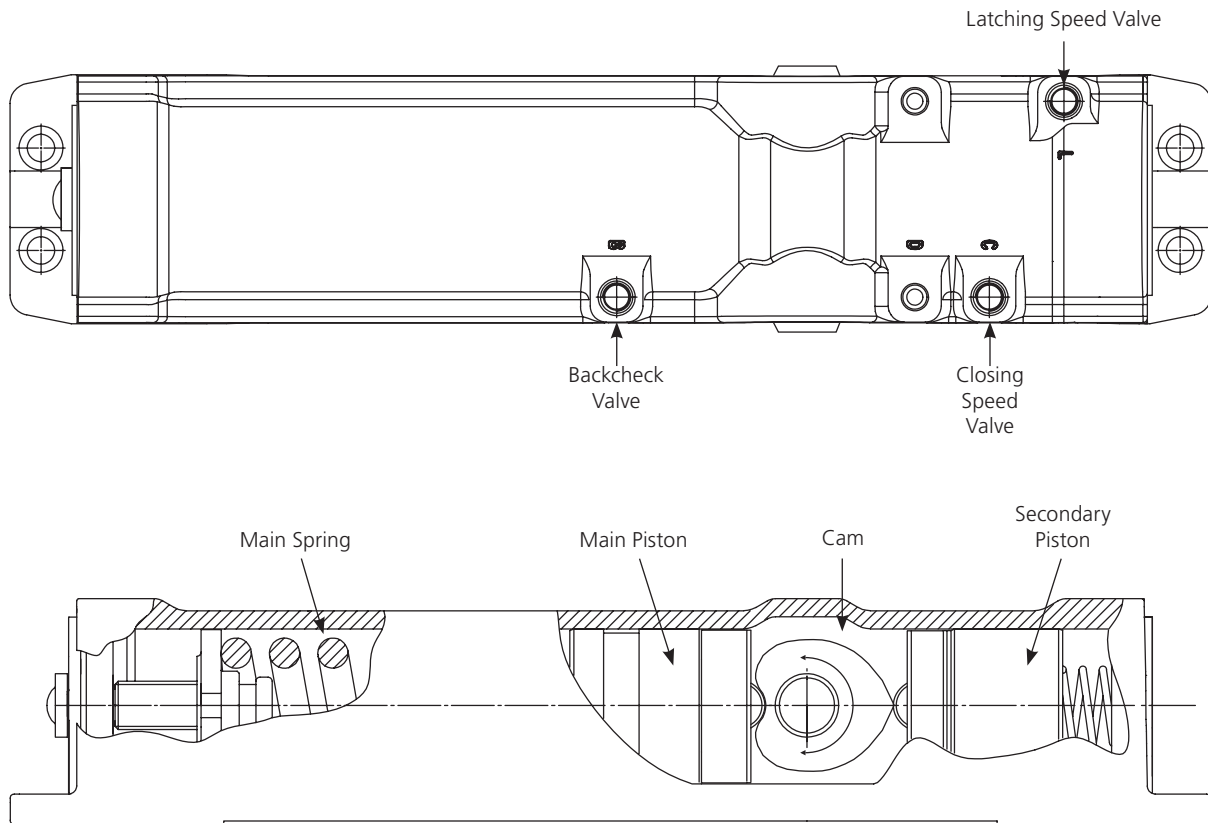
BENEFITS

- One model - four mounting options
- Easy to open
- Reliable closing
- Forward facing valves
- High efficiency
- Flexible:
 - Spline arm offers multiple indexing options to accommodate standard and special applications
 - 1/2" vertical adjustment




WARNING

This product can expose you to lead which is known to the state of California to cause cancer and birth defects or other reproductive harm. For more information go to www.P65warnings.ca.gov.

Overview, Certifications



CERTIFICATIONS

- ANSI/BHMA A156.4, Grade 1 
- Americans with Disabilities Act (ADA) Compliant 
- Trade Agreement Act (TAA)
- UL10C positive pressure up to 3 hours 
- UL-cUL listed

CAUTION: Door Closers for Low Opening Force Applications:

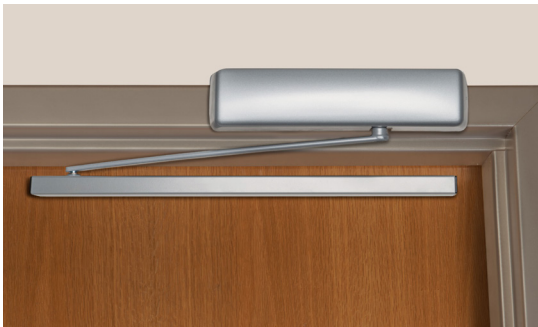
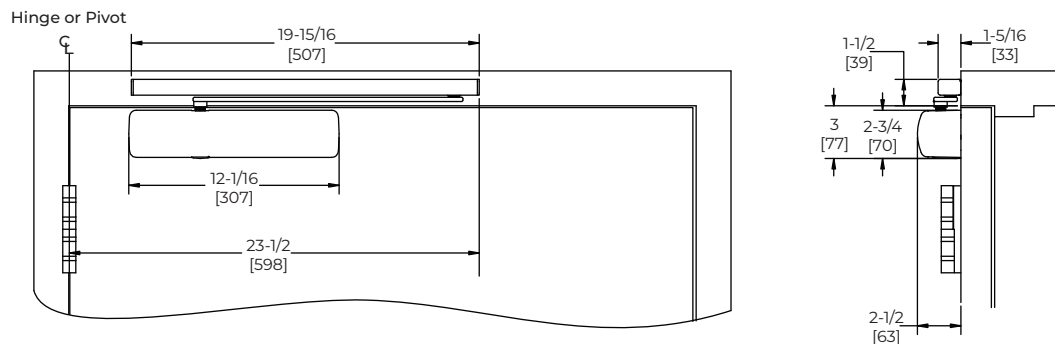
Door closers installed in openings required to meet the requirements of the Americans With Disabilities Act or ANSI/BHMA Standard A117.1, when adjusted to meet those requirements, may not provide adequate closing power to dependably close and latch the door based on opening or site conditions.

Standard Applications



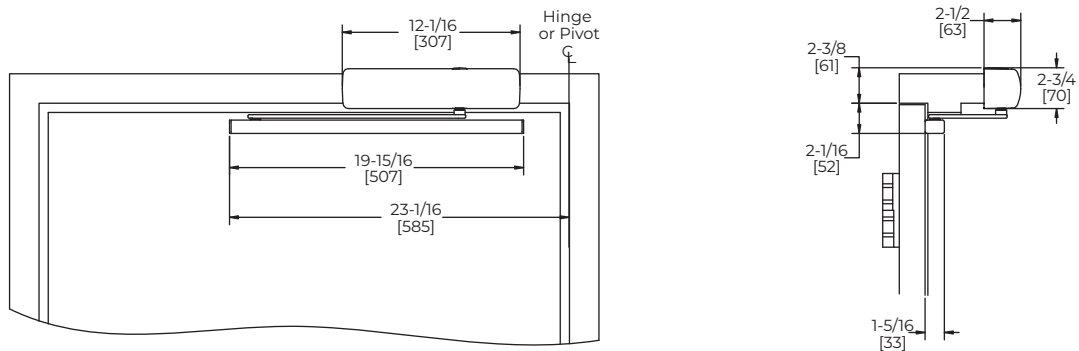
PULL SIDE, DOOR MOUNTED

- 140° swing (trim permitting)
- Specify DC5200 x A1 for hold open



PUSH SIDE, FRAME MOUNTED

- Maximum frame reveal is 4" (102mm)
- An auxiliary door stop is required
- 110° swing (trim permitting) without spring stop
- If hold open required, consult factory

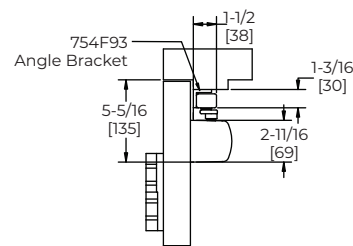
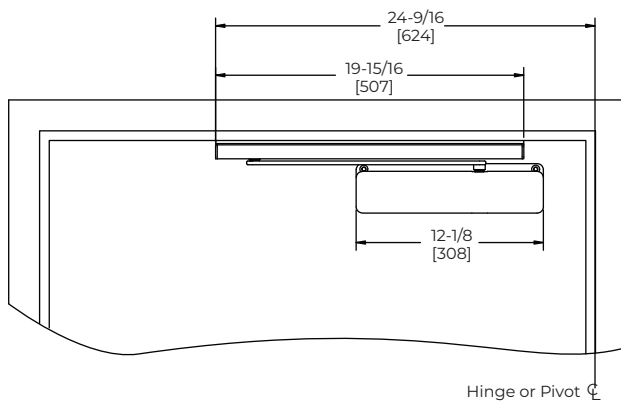


Optional Applications



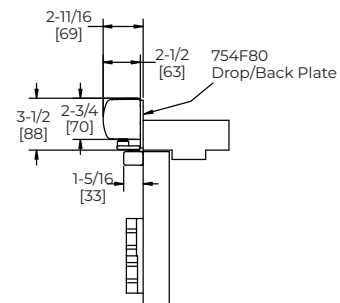
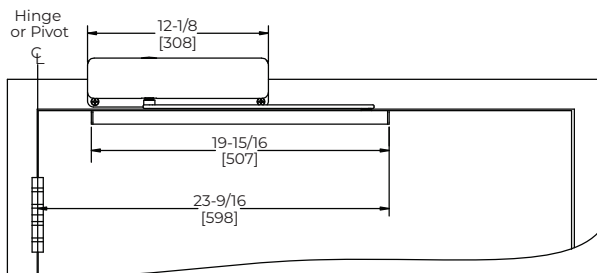
PUSH SIDE, DOOR MOUNTED

- Minimum frame reveal is 1-1/2" (13mm)
- 110° swing (trim permitting)
- 754F93 slide track angle bracket is required for push side, door mount installation.
- To order closer packed with 754F93, specify DC5240 (non-hold open) or DC5240 x A1 (hold open).
- Note: if the DC5200 (non-hold open) or DC5200 x A1 (hold open) is ordered, the angle bracket is not included and must be ordered separately.

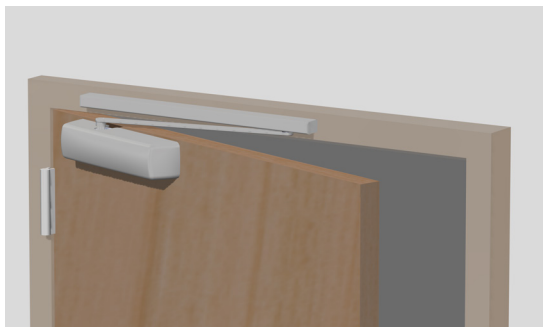


PULL SIDE, FRAME MOUNTED

- 140° swing (trim permitting)
- 754F80 back plate required if frame face is less than 3" (sold separately)
- Specify DC5200 x A1 for hold open



Function



INCLUSIVE RESTROOM FUNCTION

A standard DC5200 closer can be configured for an inclusive restroom application, commonly known as the telephone booth, with a minor adjustment during the installation process. See the installation instructions for specific details. When configured, the closer functions as follows:

- Closer normally holds door open at approximately ten (10) degrees; standard spline arm allows degree of hold open to be adjusted up or down
- Upon entering room, a user can push or pull the door closed
- When a user exits the room, the closer allows the door to open normally and returns the door to the preset position
- The standard cushion stop block and optional hold open assembly can be installed in the track to provide additional door control

Accessories/Parts List



DROP/BACK PLATE

For use where the narrow top rail of the door prevents the closer from being mounted directly to the door surface. This drop plate must be used for closer mounted on a top rail between 1-7/8" and 3-3/8" (48mm and 86mm) in height. To order, specify 754F80 x Finish.

SLIDE TRACK ANGLE BRACKET

To order, specify 754F93 x Finish

PARTS LIST

Part #	Description
754F68	Closer body only
754F95	Track and arm assembly, non-hold open
754F96	Track and arm assembly, hold open
754F79	Plastic cover
754F69	Closer screw pack
754F70	Spline screw pack
754F94	Track screw pack
887F32*	Torx® security screw pack

*Sex nuts included



How to Order/Quick Codes

ORDERING EXAMPLES

Quantity	Series	Arm	Finish	Misc. Options
10	DC5200	A1	689	M54
5	DC5240		690	

NOTES:

- Before installing a door closer, verify the accessibility, fire, and life-safety requirements that are in effect. This includes the mounting height and projection into the clear opening. Check the adopted state and local building codes and consult the Authority Having Jurisdiction (AHJ)
- To maintain the warranty and ensure proper operation of the product, follow the installation instructions & templates and install on the inside of the building.
- Consult NFPA 80 for the hinge requirements on a fire door.
- Failure to use fasteners supplied with closer may void factory warranty.
- Optional fasteners are available for a variety of applications. Consult the door and frame manufacturer to ensure the proper fasteners are used to maintain certifications.
- Sizing charts are based on 1-3/4" x 7' standard weight doors swinging to 110°. Other application conditions (e.g. larger door heights or weight) may require larger size closer. Adjusting the spring power to meet the low opening force requirements of the Americans With Disabilities Act or ANSI/BHMA Standard A117.1, may not provide adequate closing power to dependably close and latch the door in some conditions (i.e. air movement from wind gusts or building stack pressure).

SERIES/MOUNTING/SIZE

Description	Mounting	Specify
Multi-sized; full adjustability from size 1-6	Push and Pull Installation, Door or Frame Mounted	DC5200
	Push Installation, Door Mounted (only)	DC5240

ARM

Description	Specify
Regular non-hold open	(standard)
Hold open	A1*

* Hold Open arms cannot be used on fire doors.

DOOR THICKNESS

Door Thickness	Specify
1-3/4" (44mm)	(standard)

MISCELLANEOUS OPTIONS

Description	Specify
Sex nuts and bolts (SNBs) (1-3/4" minimum thickness)	M54
TORX security screws	M04

FINISH

Description	Specify
SBL Silver Aluminum Painted	689
DBL Dark Bronze Painted	690
LBL Light Bronze Painted	691
FBL Black Painted	693
GBL Satin Brass Painted	696

How to Specify

SPECIFICATIONS

- Door Closers, Surface Mounted (Cam Action):
 - ANSI/ BHMA 156.4, Grade 1 Certified Products Directory (CPD) listed surface mounted, high efficiency door closers with complete spring power adjustment, sizes 1 thru 6; and fully operational adjustable according to door size, frequency of use, and opening force.
 - Closers to be of the cam and roller design, one piece cast aluminum silicon alloy body with adjustable backcheck and independently controlled valves for closing sweep and latch speed.
- Door closer to have adjustable hold open position with an on/off selector.
- Non-hold open units to be U.L. Listed for self-closing door.
- Unit to be in compliance with the requirements of the Americans With Disabilities Act (ADA). ANSI standards A117.1.
- Units to meet C-UL US.
- Closers to carry a 30-year warranty

The ASSA ABLOY Group is the global leader in access solutions. Every day, we help billions of people experience a more open world.

ASSA ABLOY Opening Solutions leads the development within door openings and products for access solutions in homes, businesses and institutions. Our offering includes doors, frames, door and window hardware, locks, perimeter fencing, access control and service.



For additional information, contact your
ASSA ABLOY Door Security Solutions
sales consultant or
visit www.corbinruswin.com.

In U.S.

Corbin Russwin
Architectural Hardware
225 Episcopal Road
Berlin, CT 06037
Phone: 800-543-3658
Fax: 800-447-6714
www.corbinruswin.com

In Canada

ASSA ABLOY Door
Security Solutions Canada
160 Four Valley Drive
Vaughan, Ontario
Canada L4K 4T9
Phone: 800-461-3007
Fax: 800-461-8989
www.assaabloydss.ca