

ED5000 Series Exit Device

PRODUCT CATALOG



Experience a safer
and more open world

Introduction

TABLE OF CONTENTS

| | |
|---|--------------------|
| Overview | 2 |
| Product Series Features | 3 |
| Applications and Listings | 4 |
| SecureBolt® Features | 6 |
| Rim Features | 8 |
| Surface Vertical Rod Features | 10 |
| Concealed Vertical Rod Features | 14 |
| Rim/SecureBolt/SVR & CVR | |
| Functions | 18 |
| Trims and Functions | 20 |
| Mortise Features | 26 |
| Mortise Functions | 28 |
| Mortise Trims and Functions | 30 |
| Electrified Exit Devices | 36 |
| Mullions and Surface Bolt Kit | 49 |
| Options and Accessories | 50 |
| Facts and Figures | 53 |
| Cylinders | 54 |
| Quick Codes | 58 |
| How to Order | 59 |
| Helpful Terms | 62 |
| How to Specify | 63 |

Applications

Corbin Russwin’s history is rich with architectural hardware designed to meet life safety and security requirements. That tradition continues with ED5000 Series exit devices. Designed to allow safe and easy egress, the ED5000 Series is ideal for frequent use applications such as schools, factories, hotels, theaters, office, retail complexes and government buildings.

Quality

All exit devices manufactured by Corbin Russwin undergo rigorous testing, both in the lab and field. Testing procedures go beyond industry standards; the ED5800 concealed vertical rod exit device was witnessed and certified to 3.25 million successful cycles, more than 6 times the requirement. Abuse and cycle tests prove time and again the durability of the entire ED5000 Series, which is backed by a 5-year warranty.

Aesthetics

Over the past 100 years, Corbin Russwin has been well-known for weaving pleasing aesthetics and inventive designs into architectural door hardware, and today’s wide stile exit device line is no exception. The ED5000 Series offers smooth lines in the exit device bar and a full range of trim designs with visual diversity, including the Muséo® and Vineyard™ Collections.

Vandal Resistance

Today’s door hardware must fulfill life-safety and security needs, two areas in which ED5000 series exit devices and trim excel. The ED5200S SecureBolt® features a deadbolt style latchbolt that significantly resists pull from the exterior, thus reducing door and frame separation, preventing the door from being forced open. 900 series heavy-duty trim deters vandals with a thick 13/16" beveled escutcheon, Free Wheeling lever (excluding mortise trim), and flush cylinder. High security Pyramid cylinders offer an additional barrier against picking and drilling. These components can all be combined for high quality, high security applications.

Electronics

If electronic access control is required, or just a simple monitoring switch, the ED5000 series offers a full range of electrified options, including a delayed egress exit device and electrically controlled trim. All options can be tied into existing security and fire alarm systems for easy monitoring.

WARNING

This product can expose you to lead which is known to the state of California to cause cancer and birth defects or other reproductive harm. For more information go to www.P65warnings.ca.gov.

Product Series Features

As Corbin Russwin continues to offer the latest technology and architectural hardware, an additional option is also presented to architects, distributors, and end-users. The power of choice. With a wide variety of devices, trims, lever designs, and electrified hardware, a locking system can be designed for any building and any application. Below are some highlights of the ED5000 Series. These are but a few of the options that can be combined to meet the aesthetic and security requirements of today.



SecureBolt® Delayed Egress Exit Device



SecureBolt®

- Deadbolt-style latch design provides increased security by resisting unauthorized entrance from credit cards, crowbars, door rattling, etc.
- Is more resistant to vector forces, which results in less force against the frame, thus eliminating door/frame separation
- Provides increased stability of openings with mullions

Delayed Egress Exit Device

- Increases security in many applications such as retail stores and health care facilities
- Features an LED indicator and a nuisance delay
- 15 or 30-second delay available
- UL and BHMA listed



Photoluminescent Touchpad Cover

The PathLite™ patent pending technology offers a number of benefits:

- Requires no wiring or maintenance
- Recharges with exposure to ambient light
- Unaffected by heat or cold
- Non-toxic, will not rub or fade
- Vandal resistant
- Fire resistant and non-radioactive

- Green contrasting word "EXIT" centered on touchbar in 1-1/4" high lettering
- Cost effective; especially suited for existing buildings

PathLite™ photoluminescent exit devices meet New York City's newly adopted standards for requirement of photoluminescent signage and stairwell markings in all office buildings in excess of 75 feet in height.



Heavy-Duty Trim with Vineyard lever



Heavy-Duty Trim with Muséo® lever



Parabolic Trim with Vineyard™ lever Specify M60

Heavy-Duty Trim

- Free Wheeling levers for vandal resistance (excluding mortise trim)
- Heavy-duty threaded posts provide additional strength
- Beveled sides for increased attack resistance
- Flush cylinder when used with 6-pin applications and mortise trim functions

Muséo® and Vineyard™ Collections

- Available in 605, 606, 611, 612, 613, 613E, 618, 619, 625, 626, 722, BSP, WSP finishes
- Allows for design continuum when matched with the ML2000 series mortise lock Muséo and Vineyard Collection trims
- Heavy-duty vandal-resistant escutcheon increases security

Parabolic Trim with Vineyard™ Lever

- Specify M60

Applications and Listings

| Single Door | UL Listing | Maximum Opening (W x H) | Application |
|---|------------|-------------------------|---|
| Rim | | | |
| ED5200 | Panic | 4' x * | Surface applied; single-point latching. |
| ED5200A | 3 Hr. | 4' x 8' | |
| ED5202 | Panic | 4' x 8' | |
| ED5202A | 3 Hr. | 4' x 8' | |
| SecureBolt® | | | |
| ED5200S | Panic | 4' x 8' | Surface applied; single-point latching. |
| ED5200SA | 3 Hr. | 4' x 8' | |
| ED5200S x M107 | Panic | 4' x 8' | Surface applied; single-point latching. Used as components in swinging door windstorm-rated assemblies (refer to local codes). |
| ED5200SA x M107 | 3 Hr. | 4' x 8' | |
| ED5202S | Panic | 4' x 8' | |
| ED5202SA | 3 Hr. | 4' x 8' | |
| Mortise | | | |
| ED5600 | Panic | 4' x * | Mortised in door; single-point latching. |
| ED5600A | 3 Hr. | 4' x 8' | |
| ED5602L | Panic | 4' x 8' | |
| ED5602AL | 3 Hr. | 4' x 8' | |
| Surface Vertical Rod | | | |
| ED5400 | Panic | 4' x 8' | Surface applied; two-point latching. |
| ED5400A | 3 Hr. | 4' x 8' | |
| ED5470 | Panic | 4' x 10' | Surface applied; one-point latching. |
| ED5470 x M55 | Panic | 4' x 10' | |
| ED5470 x M107 | Panic | 4' x 8' | Surface applied; two-point latching. Used as components in swinging door windstorm-rated assemblies (refer to local codes). |
| ED5470B | 1-1/2 Hr. | 4' x 10' | |
| Concealed Vertical Rod | | | |
| ED5800 | Panic | 4' x 8' | Rods concealed in door; two-point latching. |
| ED5800A | 3 Hr. | 4' x 8' | |
| ED5860 | Panic | 4' x 10' | Rod concealed in door; one point latching. |
| ED5860 x M55 | Panic | 4' x 10' | |
| ED5860B | 1-1/2 Hr. | 4' x 10' | |
| Pair of Doors with Removable Mullion | | | |
| Rim x Rim | | | |
| ED5200 x ED5200 x CR900 Series | Panic | 8' x 10' | Two independent active doors with removable mullion. |
| ED5200A x ED5200A x CR900 Series | 3 Hr. | 8' x 8' | |
| SecureBolt® x SecureBolt® | | | |
| ED5200S x ED5200S x CR900 Series | Panic | 8' x 10' | Two independent active doors with removable mullion. |
| ED5200SA x ED5200SA x CR900 Series | 3 Hr. | 8' x 8' | |
| ED5200S x ED5200S x M107 | Panic | 8' x 8' | Two independent active doors with removable mullion. Used as components in swinging door windstorm-rated assemblies (refer to local codes). |
| ED5200SA x ED5200SA x M107 | 3 Hr. | 8' x 8' | |

*UL does not set a door height limitation on panic applications.

Applications and Listings

| Pairs of Doors | UL Listing | Maximum Opening (W x H) | Application | |
|---|------------|-------------------------|--|--|
| Surface Vertical Rod | | | | |
| ED5400 x ED5400 | Panic | 8' x 8' | Two independent doors with two-point latching, swinging in the same direction. | |
| ED5400A x ED5400A | 3 Hr. | 8' x 8' | | |
| ED5470 x ED5470 | Panic | 8' x 10' | Two independent doors with one or two-point latching, swinging in the same direction. | |
| ED5470B x ED5470B | 1-1/2 Hr. | 8' x 10' | | |
| ED5470 x ED5470 x M107 | Panic | 8' x 8' | Two independent doors with two-point latching, swinging in opposite directions. Used as components in swinging door windstorm-rated assemblies (refer to local codes). | |
| ED5470B x ED5470B x M107 | 1-1/2 Hr. | 8' x 8' | | |
| Surface Vertical Rod (Double Egress) | | | | |
| ED5400 x ED5400 | Panic | 8' x 8' | Two independent doors with two-point latching, swinging in opposite directions. Overlapping astragal required for 3-hour openings. | |
| ED5400A x ED5400A | 3 Hr. | 8' x 8' | | |
| ED5470 x ED5470 | Panic | 8' x 10' | Two independent doors with one or two-point latching, swinging in opposite directions. Overlapping astragal not required. | |
| ED5470B x ED5470B | 1-1/2 Hr. | 8' x 10' | | |
| Surface Vertical Rod x Mortise | | | | |
| ED5400 x ED5600 | Panic | 8' x 8' | Overlapping astragal required for 3-hour openings. Coordinator required with standard ANSI strike. | |
| ED5400A x ED5600A | 3 Hr. | 8' x 8' | | |
| ED5400A x ED5600A x Open Back Strike | 1-1/2 Hr. | 8' x 8' | Overlapping astragal required for fire-rated openings. Coordinator required with standard ANSI strike. | |
| ED5470 x ED5600 | Panic | 8' x 10' | | |
| ED5470B x ED5600A | 1-1/2 Hr. | 8' x 9' | | |
| Concealed Vertical Rod | | | | |
| ED5800 x ED5600 | Panic | 8' x 8' | Two independent metal doors with two-point latching, swinging in the same direction. | |
| ED5800 x ED5800 | Panic | 8' x 8' | | |
| ED5800A x ED5600A | 3 Hr. | 8' x 8' | | |
| ED5800A x ED5800A | 3 Hr. | 8' x 8' | | |
| ED5800A x ED5600A x Open Back Strike | 1-1/2 Hr. | 8' x 8' | | |
| ED5860 x ED5600 | Panic | 8' x 10' | | |
| ED5860 x ED5860 | Panic | 8' x 10' | | |
| ED5860B x ED5600A | 1-1/2 Hr. | 8' x 10' | | |
| ED5860B x ED5860B | 1-1/2 Hr. | 8' x 10' | | |
| Concealed Vertical Rod (Double Egress) | | | | |
| ED5800 x ED5800 | Panic | 8' x 8' | Two independent metal doors with two-point latching, swinging in opposite directions. Overlapping astragal required for 3-hour openings. | |
| ED5800A x ED5800A | 3 Hr. | 8' x 8' | | |
| ED5860 x ED5860 | Panic | 8' x 10' | Two independent metal or wood doors with one or two-point latching, swinging in opposite directions. Overlapping astragal not required. | |
| ED5860B x ED5860B | 1-1/2 Hr. | 8' x 10' | | |

*UL does not set a door height limitation on panic applications.

SecureBolt® Features

- ED5200S PANIC-LISTED SECUREBOLT® EXIT DEVICE**
ED5200SA 3-HOUR FIRE-LISTED SECUREBOLT® EXIT DEVICE
ED5202S PANIC-LISTED SECUREBOLT® DOUBLE CYLINDER EXIT DEVICE
ED5202SA 3-HOUR FIRE-LISTED SECUREBOLT® DOUBLE CYLINDER EXIT DEVICE

SECUREBOLT®



FEATURES

Handing

- Standard device is non-handed.
- Double Cylinder Device is handed.
- Lever trim is handed.

Bar Length

- Easily field cut to size.
- Standard: 36" (914mm) bar fits 30" - 36" (762mm-914mm) door.
- Optional: 24" (610mm) bar fits 24" (610mm) door; specify W024.
- Optional: 48" (1219mm) bar fits 36" -48" (914mm-1219mm) door; specify W048.

Door Thickness

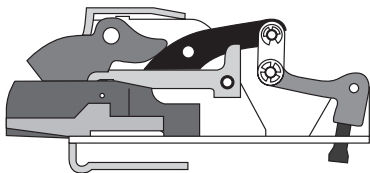
- 1-3/4" (44mm) standard.
- Optional: 2" (51mm); specify D200.
- Optional: 2-1/4" (57mm); specify D214.

Stile

- Minimum width 4-1/2" (114mm).

Latchbolt

- Full 3/4" (19mm) projection, 1" (25mm) wide, positive deadlocking by auxiliary bolt.



Cut Away Side View

Materials

- **Latchbolt:** Nickel steel. Slide-action deadbolt with positive deadlocking by auxiliary bolt. Two-piece deadbolt mechanism utilizing a roll back lever which eliminates any contact (friction) with the strike during relocking.
- **Device:** Heavy duty cold forged steel chassis; heavy gauge steel mechanisms, electroplated for corrosion resistance; finished parts are brass, bronze or stainless steel; stainless steel springs; nylon bearings.

Projection

- 3-1/4" (83mm) active, 2-3/4" (70mm) dogged.

Dogging

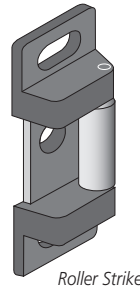
- Standard on panic-rated devices; single-point 1/4 turn hex key dogging.
- Optional: less dogging, specify M51.
- Optional: cylinder dogging; specify M52.
- Mechanical dogging not available on fire-rated devices.

Fasteners

- Standard on panic devices: machine screws and wood door fasteners.
- Standard on fire-rated devices: sex nuts and bolts.
- Optional on devices: sex nuts and bolts for use on wood, composite or unreinforced metal doors; specify M54.
- Optional wood screws for use on approved fire-rated solid wood or wood core doors. Specify M64.

Strike

- Surface mounted 3/8" (10mm) diameter roller strike, complete with positive locking plate and shims, assuring low friction relocking for a long, trouble-free life.



Roller Strike

Functions and Trims

- Through-bolted lever, pull and thumbpiece trims available with wide range of functions; see Trims and Functions, pages 18-25.

Cylinders

- Cylinder not included unless specified. See Quick Codes, page 54.

Removable Mullion

- See Mullions, page 49.

Shim Kit

- Optional for mounting device over raised vision light molding; specify M58.

Applications and Listings

- See page 4.

Warranty

- Five-year limited.

CERTIFICATION/COMPLIANCE ANSI

- Meets A156.3, Type 28, Grade 1.
- Meets A117.1 Accessibility Code.

UL/cUL

- All devices listed for safety as panic hardware; devices comply with UL 305 standards for panic hardware. Three-hour fire-rated devices listed as fire exit hardware for A label and lesser class 4' x 8' single or 8' x 8' double doors; UL symbol on active case cover indicates listing.
- Any retrofit or other field modification to a fire-rated opening can potentially impact

the fire rating of the opening, and Corbin Russwin, Inc. makes no representations or warranties concerning what such impact may be in any specific situation. When retrofitting any portion of an existing fire-rated opening, or specifying and installing a new fire-rated opening, please consult with a code specialist or local code official (Authority Having Jurisdiction) to ensure compliance with all applicable codes and ratings.

California State Reference Code

- This product has been approved by the California State Fire Marshal pursuant to section 13144.1 of the California Health and Safety Code.

NFPA

- All exit devices comply with NFPA 101 Life Safety Code. All fire-rated devices comply with NFPA 80 Fire Doors and Windows.

ADA

- Exit devices, lever trims and pulls comply with Americans with Disabilities Act.

FINISHES

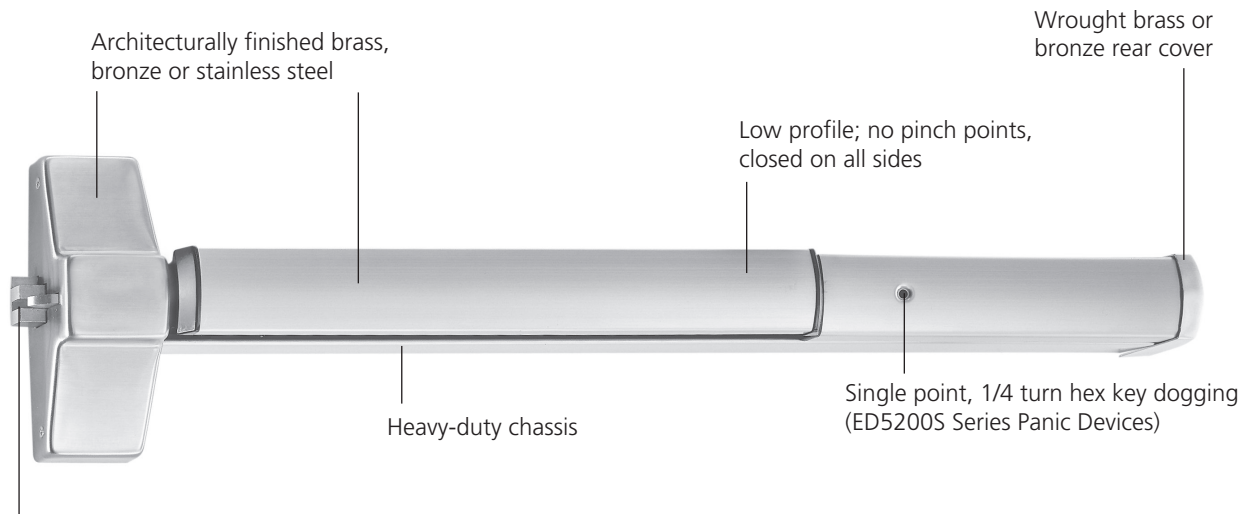
| | |
|-----------------------------------|--|
| BHMA 605 | Bright Brass |
| BHMA 606 | Satin Brass |
| BHMA 611 | Bright Bronze |
| BHMA 612 | Satin Bronze |
| BHMA 613 | Oxidized Bronze, oil rubbed, available lacquered |
| 613E | Dark Oxidized Satin Bronze Equivalent |
| BHMA 618 | Bright Nickel Plated |
| BHMA 619 | Satin Nickel Plated |
| BHMA 625 | Bright Chromium Plated |
| BHMA 626 ¹ (Trim only) | Satin Chromium Plated |
| 626C ² | Satin Chromium Plated with MicroShield® |
| BHMA 629 | Bright Stainless Steel |
| BHMA 630 | Satin Stainless Steel |
| 630C ² | Satin Stainless Steel with MicroShield® |
| 722 | Black oxidized bronze, oil rubbed |
| BSP | Black Suede Powder |
| WSP | White Suede Powder Coat |

1. Contact factory for devices required in BHMA 626
2. Finish available with MicroShield® antimicrobial coating.

SecureBolt® Features

ED5200S AND ED5200SA SECUREBOLT® EXIT DEVICES

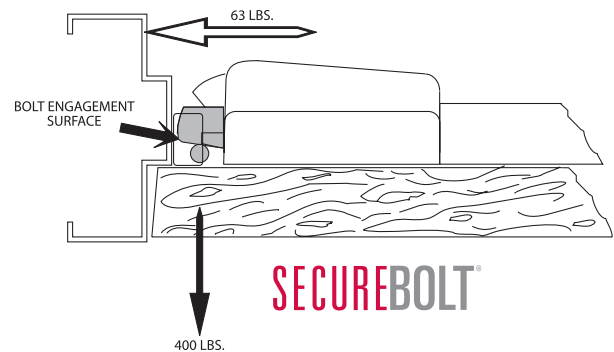
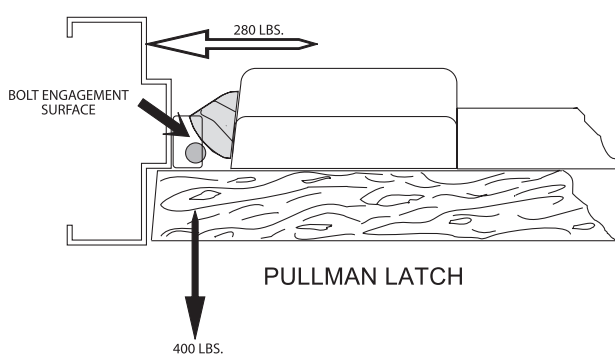
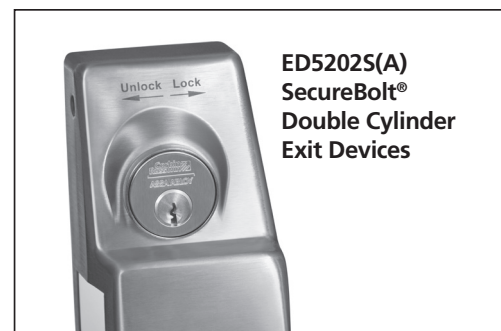
SECUREBOLT®



3/4" (19mm) projection x 1" wide deadbolt-style latchbolt with positive deadlocking by auxiliary bolt

In terms of an exit device, vector forces mean that pressure applied to the door results in a force against the stop and the frame, resulting in door/frame separation. The standard pullman latchbolt applies 280 pounds of force against the frame from a 400-pound pull on the door.

The SecureBolt® exit device only applies 63 pounds of force against the frame from a 400-pound pull on the door. Less force means the door and frame do not separate, providing a higher level of security, as the door cannot be pulled open.



Rim Features



| | |
|----------------|---|
| ED5200 | PANIC-LISTED RIM EXIT DEVICE |
| ED5200A | 3-HOUR FIRE-LISTED RIM EXIT DEVICE |
| ED5202 | PANIC-LISTED RIM DOUBLE CYLINDER EXIT DEVICE |
| ED5202A | 3-HOUR FIRE-LISTED RIM DOUBLE CYLINDER EXIT DEVICE |

FEATURES

Handing

- Standard device is non-handed.
- Double Cylinder Device is Handed.
- Lever trim is handed.

Bar Length

- Easily field cut to size.
- Standard: 36" (914mm) bar fits 30" - 36" (762mm-914mm) door.
- Optional: 24" (610mm) bar fits 24" (610mm) door; specify W024.
- Optional: 48" (1219mm) bar fits 36" -48" (914mm-1219mm) door; specify W048.

Door Thickness

- 1-3/4" (44mm) standard.
- Optional: 2" (51mm); specify D200.
- Optional: 2-1/4" (57mm); specify D214.

Stile

- Minimum width 4-1/2" (114mm).

Latchbolt

- 3/4" (19mm) throw, stainless steel pullman-type with stainless steel deadlocking latch.

Materials

- Heavy-duty cold-forged steel chassis; heavy-gauge steel mechanisms, electroplated for corrosion resistance; finished parts are brass, bronze or stainless steel; stainless steel springs; nylon bearings.

Projection

- 3-1/4" (83mm) active, 2-3/4" (70mm) dogged.

Dogging

- Standard on panic devices; single-point 1/4 turn hex key dogging.
- Optional: less dogging, specify M51.
- Optional: cylinder dogging; specify M52.
- Mechanical dogging not available on fire-rated devices.

Fasteners

- Standard on panic devices: machine screws and wood door fasteners
- Standard on fire-rated devices: sex nuts and bolts.
- Optional on panic devices: sex nuts and bolts for use on wood, composite, or unreinforced metal doors; specify M54. Optional wood screws for use on approved fire-rated solid wood or wood core doors. Specify M64.

Strike

- Surface-mounted 3/8" (10mm) diameter roller strike, complete with positive locking plate and shims, assuring low friction relocking for a long, trouble-free life.

Functions and Trims

- Through-bolted lever, pull and thumbpiece trims available with wide range of functions; see Trims and Functions, pages 18-25.

Cylinders

- Cylinder not included unless specified. See Quick Codes, page 54.

Removable Mullion

- See Mullions, page 49.

Shim Kit

- Optional for mounting device over raised vision light molding; specify M58.

Applications and Listings

- See page 4.

Warranty

- Five-year limited.

CERTIFICATION/COMPLIANCE

ANSI

- Meets A156.3, Type 1, Grade 1.
- Meets A117.1 Accessibility Code.

UL /cUL

- All devices listed for safety as panic hardware; devices comply with UL 305 standards for panic hardware. Three-hour fire-rated devices listed as fire exit hardware for A label and lesser class 4' x 8' single or 8' x 8' double doors; UL symbol on active case cover indicates listing.

- Any retrofit or other field modification to a fire rated opening can potentially impact the fire rating of the opening, and Corbin Russwin, Inc. makes no representations or warranties concerning what such impact may be in any specific situation. When retrofitting any portion of an existing fire rated opening, or specifying and installing a new fire-rated opening, please consult with a code specialist or local code official (Authority Having Jurisdiction) to ensure compliance with all applicable codes and ratings.

California State Reference Code

- This product has been approved by the California State Fire Marshal pursuant to section 13144.1 of the California Health and Safety Code.

NFPA

- All exit devices comply with NFPA 101 Life Safety Code. All fire-rated devices comply with NFPA 80 Fire Doors and Windows.

ADA

- Exit devices, lever trims and pulls comply with Americans with Disabilities Act.

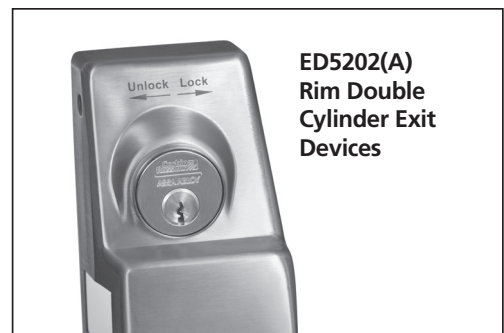
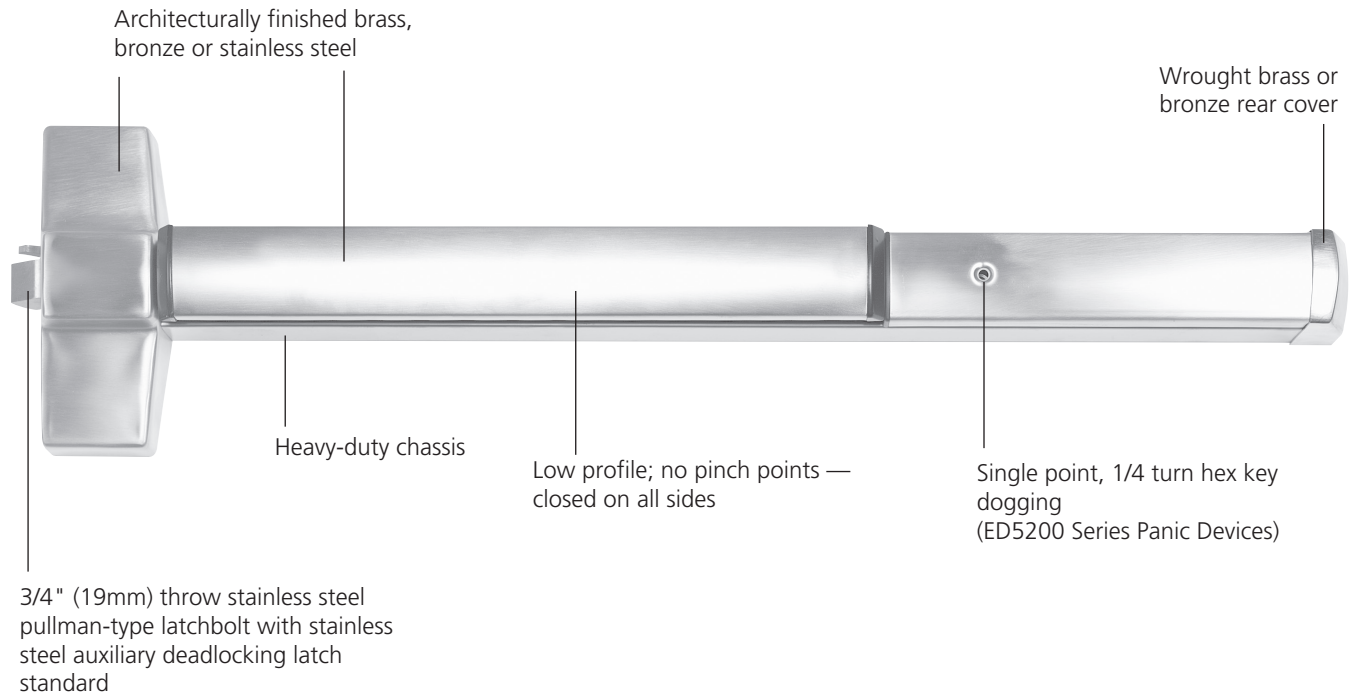
FINISHES

| | |
|-----------------------------------|--|
| BHMA 605 | Bright Brass |
| BHMA 606 | Satin Brass |
| BHMA 611 | Bright Bronze |
| BHMA 612 | Satin Bronze |
| BHMA 613 | Oxidized Bronze, oil rubbed, available lacquered |
| 613E | Dark Oxidized Satin Bronze Equivalent |
| BHMA 618 | Bright Nickel Plated |
| BHMA 619 | Satin Nickel Plated |
| BHMA 625 | Bright Chromium Plated |
| BHMA 626 ¹ (Trim only) | Satin Chromium Plated |
| 626C ² | Satin Chromium Plated with MicroShield® |
| BHMA 629 | Bright Stainless Steel |
| BHMA 630 | Satin Stainless Steel |
| 630C ² | Satin Stainless Steel with MicroShield® |
| 722 | Black oxidized bronze, oil rubbed |
| BSP | Black Suede Powder |
| WSP | White Suede Powder Coat |

1. Contact factory for devices required in BHMA 626
2. Finish available with MicroShield® antimicrobial coating.

Rim Features

ED5200 AND ED5200A RIM EXIT DEVICES



Surface Vertical Rod Features

ED5400 ED5400A

PANIC-LISTED SURFACE VERTICAL ROD EXIT DEVICE 3-HOUR FIRE-LISTED SURFACE VERTICAL ROD EXIT DEVICE

FEATURES

Handing

- Device is handed but easily field reversible.
- Lever trim is handed.

Bar Length

- Easily field cut to size.
- Standard: 36" (914mm) bar fits 30" - 36" (762mm-914mm) door.
- Optional: 24" (610mm) bar fits 24" (610mm) door; specify W024.
- Optional: 48" (1219mm) bar fits 36" -48" (914mm-1219mm) door; specify W048.

Door Thickness

- 1-3/4" (44mm) standard.
- Optional: 2" (51mm); specify D200.
- Optional: 2-1/4" (57mm); specify D214.

Stile

- Minimum width 4-1/2" (114mm).

Door Height

- Standard top rod for 7' door.
- All rods easily field cut to size.
- Optional door heights up to 8' available; see Quick Codes, page 56.
- For door heights above 8'0" refer to ED5470(B).

Latchbolt

Top: 3/4" (19mm) throw, stainless steel pullman-type with automatic deadlatching.

Bottom: 5/8" (16mm) throw deadbolt, held retracted during door swing.

Vertical Rods

1/2" O.D. tubular brass, bronze or stainless steel with rod guides.

Materials

Heavy-duty cold-forged steel chassis; heavy-gauge steel mechanisms, electroplated for corrosion resistance; finished parts are brass, bronze or stainless steel; stainless steel springs; nylon bearings.

Projection

- 3-1/4" (83mm) active, 2-3/4" (70mm) dogged.

Dogging

- Standard on panic devices; single-point 1/4 turn hex key dogging.
- Optional: less dogging, specify M51.
- Optional: cylinder dogging, specify M52.
- Mechanical dogging not available on fire-rated devices.

Fasteners

- Standard on panic devices: machine screws and wood door fasteners.
- Standard on fire-rated devices: sex nuts and bolts.
- Optional on panic devices: sex nuts and bolts for use on wood, composite, or unreinforced metal doors; specify M54.
- Optional wood screws for use on approved fire-rated solid wood or wood core doors. Specify M64.

Strike

- Top: adjustable roller strike with positive locking plate and shims.
- Bottom: flush mounted.
- Optional strikes available; see Options and Accessories, page 51.

Functions and Trims

- Through-bolted lever, pull and thumbpiece trims available with wide range of functions; see Trims and Functions, pages 18-25.

Cylinders

- Cylinder not included unless specified. See Quick Codes, page 54.

Shim Kit

- Optional for mounting device over raised vision light molding; specify M58.

Applications and Listings

- See page 4.

Warranty

- Five-year limited.

CERTIFICATION/COMPLIANCE

ANSI

- Meets A156.3, Type 2, Grade 1.

UL /cUL

- All devices listed for safety as panic hardware; devices comply with UL 305 standards for panic hardware. Three-hour fire-rated devices listed as fire exit hardware for A label and lesser class 8' x 8' double doors; UL symbol on active case cover indicates listing.
- Any retrofit or other field modification to a fire-rated opening can potentially impact the fire rating of the opening, and Corbin Russwin, Inc. makes no representations or warranties concerning what such impact may be in any specific situation. When retrofitting any portion of an existing fire rated opening, or specifying and installing a new fire-rated opening, please consult with a code specialist

or local code official (Authority Having Jurisdiction) to ensure compliance with all applicable codes and ratings.

California State Reference Code

- This product has been approved by the California State Fire Marshal pursuant to section 13144.1 of the California Health and Safety Code.

NFPA

- All exit devices comply with NFPA 101 Life Safety Code. All fire-rated devices comply with NFPA 80 Fire Doors and Windows.

ADA

- Lever trims and pulls comply with Americans with Disabilities Act.

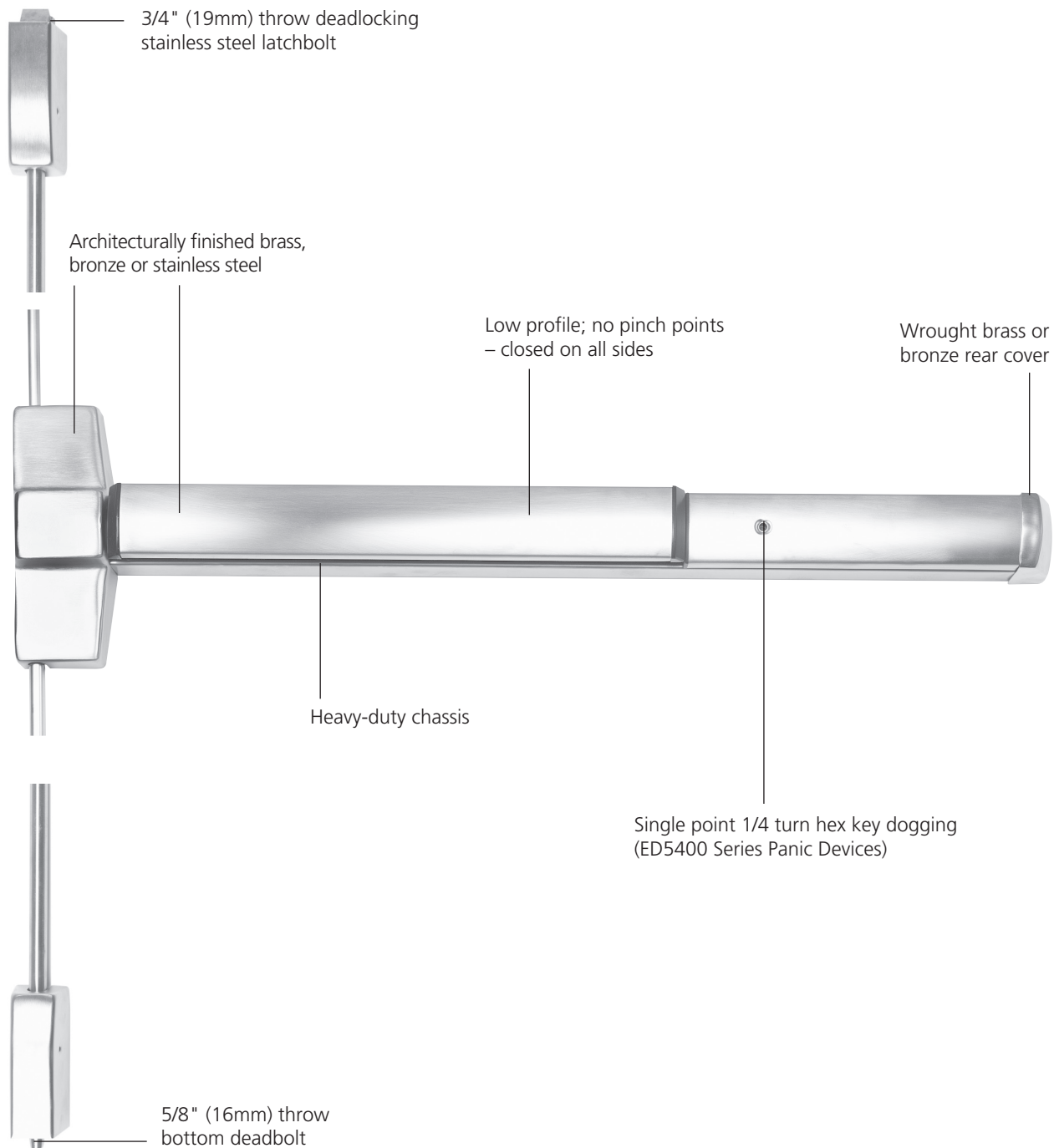
FINISHES

| | |
|--------------------------------------|--|
| BHMA 605 | Bright Brass |
| BHMA 606 | Satin Brass |
| BHMA 611 | Bright Bronze |
| BHMA 612 | Satin Bronze |
| BHMA 613 | Oxidized Bronze, oil rubbed, available lacquered |
| 613E | Dark Oxidized Satin Bronze Equivalent |
| BHMA 618 | Bright Nickel Plated |
| BHMA 619 | Satin Nickel Plated |
| BHMA 625 | Bright Chromium Plated |
| BHMA 626 ¹ (Trim only) | Satin Chromium Plated |
| 626C ² | Satin Chromium Plated with MicroShield® |
| BHMA 629 | Bright Stainless Steel |
| BHMA 630 | Satin Stainless Steel |
| 630C ² | Satin Stainless Steel with MicroShield® |
| 722 | Black oxidized bronze, oil rubbed |
| BSP | Black Suede Powder |
| WSP | White Suede Powder Coat |

1. Contact factory for devices required in BHMA 626
2. Finish available with MicroShield® antimicrobial coating.

Surface Vertical Rod Features

ED5400 AND ED5400A SURFACE VERTICAL ROD EXIT DEVICE



Surface Vertical Rod Features

ED5470 ED5470B

PANIC-LISTED SURFACE VERTICAL ROD EXIT DEVICE 1-1/2 HOUR FIRE-LISTED SURFACE VERTICAL ROD EXIT DEVICE

FEATURES

Handing

- Device is handed but easily field reversible.
- Lever trim is handed.

Bar length

- Easily field cut to size.
- Standard: 36" (914mm) bar fits 30" - 36" (762mm-914mm) door.
- Optional: 24" (610mm) bar fits 24" (610mm) door; specify W024.
- Optional: 48" (1219mm) bar fits 36" - 48" (914mm-1219mm) door; specify W048.

Door Thickness

- 1-3/4" (44mm) standard.
- Optional: 2" (51mm); specify D200.
- Optional: 2-1/4" (57mm); specify D214.

Stile

- Minimum width 4-1/2" (114mm).

Door Height

- Standard top rod for 7' door.
- All top rods easily field cut to size.
- Optional door heights up to 10' available; see Quick Codes, page 56.

Latchbolt

- Top: 3/4" (19mm) throw, stainless steel, pullman-type with automatic deadlatching.
- Bottom: 5/8" (16mm) throw deadbolt, held retracted during door swing.

Vertical Rods

- 1/2" O.D. tubular brass, bronze or stainless steel with rod guides.

Less Bottom Rod

- Optional on ED5470 & ED5470B devices only; specify M55.

Heat Activated Door Bolt (Popper)

- Standard on all fire-rated devices with M55 option (less bottom rod).

Materials

- Heavy-duty cold-forged steel chassis; heavy-gauge steel mechanisms, electroplated for corrosion resistance; finished parts are brass, bronze or stainless steel; stainless steel springs; nylon bearings.

Projection

- 3-1/4" (83mm) active, 2-3/4" (70mm) dogged.

Dogging

- Standard on panic devices; single-point 1/4 turn hex key dogging.

- Optional: less dogging, specify M51.
- Optional: cylinder dogging, specify M52.
- Mechanical dogging not available on fire-rated devices.

Fasteners

- Standard on panic devices: machine screws and wood door fasteners. Standard on fire-rated devices: sex nuts and bolts. Optional on panic devices: sex nuts and bolts for use on wood, composite, or unreinforced metal doors; specify M54. Optional wood screws for use on approved fire-rated solid wood or wood core doors. Specify M64.

Strike

- Top: surface mounted interlocking.
- Bottom: flush mounted.
- Optional strikes available; see Options and Accessories, page 51.

Functions and Trims

- Through-bolted lever, pull and thumbpiece trims available with wide range of functions; see Trims and Functions, pages 18-25.

Cylinders

- Cylinder not included unless specified. See Quick Codes, page 54.

Shim Kit

- Optional for mounting device over raised vision light molding; specify M58.

Applications and Listings

- See page 4.

Warranty

- Five-year limited.

CERTIFICATION/COMPLIANCE

ANSI

- Meets A156.3, Type 2, Grade 1.
- Meets A117.1 Accessibility Code when ordered with M55 option only.

UL/cUL

- All devices listed for safety as panic hardware; devices comply with UL 305 standards for panic hardware. 1-1/2 hour fire-rated devices listed as fire exit hardware for B label and lesser class 8' x 10' double doors; UL symbol on active case cover indicates listings.
- Any retrofit or other field modification to a fire rated opening can potentially impact the fire rating of the opening, and Corbin Russwin, Inc. makes no representations or warranties concerning what such impact may

be in any specific situation. When retrofitting any portion of an existing fire rated opening, or specifying and installing a new fire-rated opening, please consult with a code specialist or local code official (Authority Having Jurisdiction) to ensure compliance with all applicable codes and ratings.

California State Reference Code

- This product has been approved by the California State Fire Marshal pursuant to section 13144.1 of the California Health and Safety Code.

NFPA

- All exit devices comply with NFPA 101 Life Safety Code.
- All fire-rated devices comply with NFPA 80 Fire Doors and Windows.

ADA

- Exit devices with M55 option, lever trims and pulls comply with Americans with Disabilities Act.

FINISHES

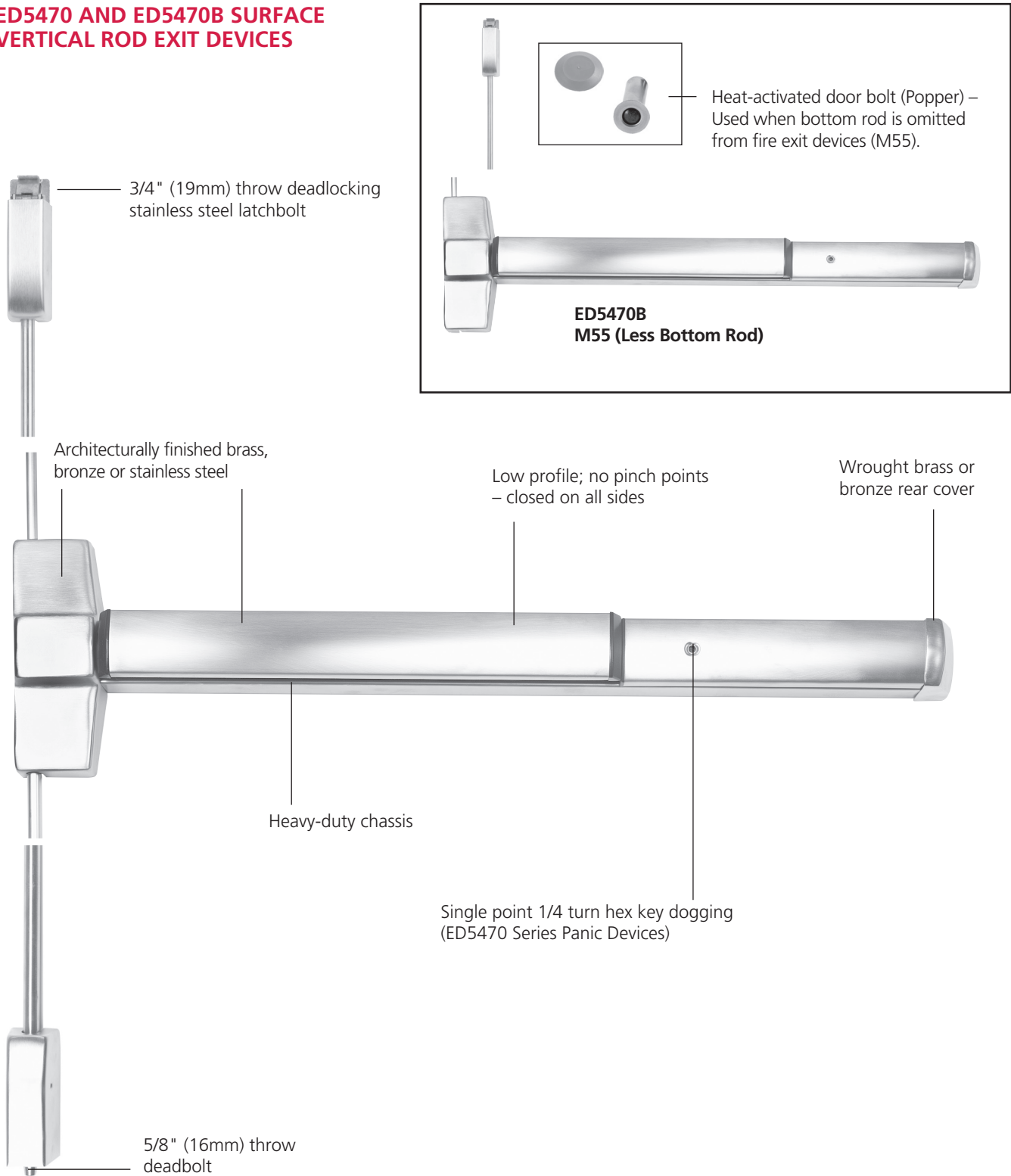
| | |
|--------------------------------------|--|
| BHMA 605 | Bright Brass |
| BHMA 606 | Satin Brass |
| BHMA 611 | Bright Bronze |
| BHMA 612 | Satin Bronze |
| BHMA 613 | Oxidized Bronze, oil rubbed, available lacquered |
| 613E | Dark Oxidized Satin Bronze Equivalent |
| BHMA 618 | Bright Nickel Plated |
| BHMA 619 | Satin Nickel Plated |
| BHMA 625 | Bright Chromium Plated |
| BHMA 626 ¹ (Trim only) | Satin Chromium Plated |
| 626C ² | Satin Chromium Plated with MicroShield® |
| BHMA 629 | Bright Stainless Steel |
| BHMA 630 | Satin Stainless Steel |
| 630C ² | Satin Stainless Steel with MicroShield® |
| 722 | Black oxidized bronze, oil rubbed |
| BSP | Black Suede Powder |
| WSP | White Suede Powder Coat |

1. Contact factory for devices required in BHMA 626

2. Finish available with MicroShield® antimicrobial coating.

Surface Vertical Rod Features

ED5470 AND ED5470B SURFACE VERTICAL ROD EXIT DEVICES



Concealed Vertical Rod Features



ED5800 PANIC-LISTED CONCEALED VERTICAL ROD EXIT DEVICE ED5800A 3-HOUR FIRE-LISTED CONCEALED VERTICAL ROD EXIT DEVICE FOR USE WITH METAL DOORS ONLY

FEATURES

Handing

- Device is handed but easily field reversible. Lever trim is handed.

Bar length

- Easily field cut to size.
- Standard: 36" (914mm) bar fits 30"-36" (762mm-914mm) door.
- Optional: 24" (610mm) bar fits 24" (610mm) door; specify W024.
- Optional: 48" (1219mm) bar fits 36"-48" (914mm-1219mm) door; specify W048.

Door Thickness

- 1-3/4" (44mm) standard.
- Optional: 2" (51mm); specify D200.
- Optional: 2-1/4" (57mm); specify D214.

Stile

- Minimum width 4-1/2" (114mm).

Door Height

- Standard: Top rod for up to 8' door. Optional heights up to 10' (panic) with extensions. For fire rated openings over 8', see ED5860

Latchbolt

- Top: 3/4" (19mm) throw, stainless steel pullman-type with automatic deadlatching.
- Bottom: 5/8" (16mm) throw deadbolt, held retracted during door swing.

Vertical Rods

- 1/2" O.D. tubing, electroplated for corrosion resistance.

Materials

- Heavy-duty cold-forged steel chassis; heavy-gauge steel mechanisms, electroplated for corrosion resistance; finished parts are brass, bronze or stainless steel; stainless steel springs; nylon bearings.

Projection

- 3-1/4" (83mm) active, 2-3/4" (70mm) dogged.

Dogging

- Standard on panic devices; single-point 1/4 turn hex key dogging.
- Optional: less dogging, specify M51.
- Optional: cylinder dogging, specify M52.
- Mechanical dogging not available on fire-rated devices.

Fasteners

- Standard on panic devices: machine screws.
- Standard on fire-rated devices: sex nuts and bolts.
- Optional on panic devices: sex nuts and bolts for use on unreinforced metal doors; specify M54.

Strike

- Top: roller type.
- Bottom: flush mounted.
- Optional strikes available; see Options and Accessories, page 51.

Functions and Trims

- Through-bolted lever, pull and thumbpiece trims available with wide range of functions; see Trims and Functions, pages 18-25.

Cylinders

- Cylinder not included unless specified. See Quick Codes, page 54.

Shim Kit

- Optional for mounting device over raised vision light molding; specify M58.

Applications and Listings

- For use on metal doors only. See page 4.

Warranty

- Five-year limited.

CERTIFICATION/COMPLIANCE ANSI

- Meets A156.3, Type 8, Grade 1.
- Meets A117.1 Accessibility Code.

UL/cUL

- All devices listed for safety as panic hardware; devices comply with UL 305 standards for panic hardware. Three-hour fire-rated devices listed as fire exit hardware for A label and lesser class 8' x 8' double doors; UL symbol on active case cover indicates listing.
- Any retrofit or other field modification to a fire rated opening can potentially impact the fire rating of the opening, and Corbin Russwin, Inc. makes no representations or warranties concerning what such impact may be in any specific situation. When retrofitting any portion of an existing fire rated opening, or specifying and installing a new fire-rated opening, please consult

with a code specialist or local code official (Authority Having Jurisdiction) to ensure compliance with all applicable codes and ratings.

California State Reference Code

- This product has been approved by the California State Fire Marshal pursuant to section 13144.1 of the California Health and Safety Code.

NFPA

- All exit devices comply with NFPA 101 Life Safety Code.
- All fire-rated devices comply with NFPA 80 Fire Doors and Windows.

ADA

- Exit devices, lever trims and pulls comply with Americans with Disabilities Act.

FINISHES

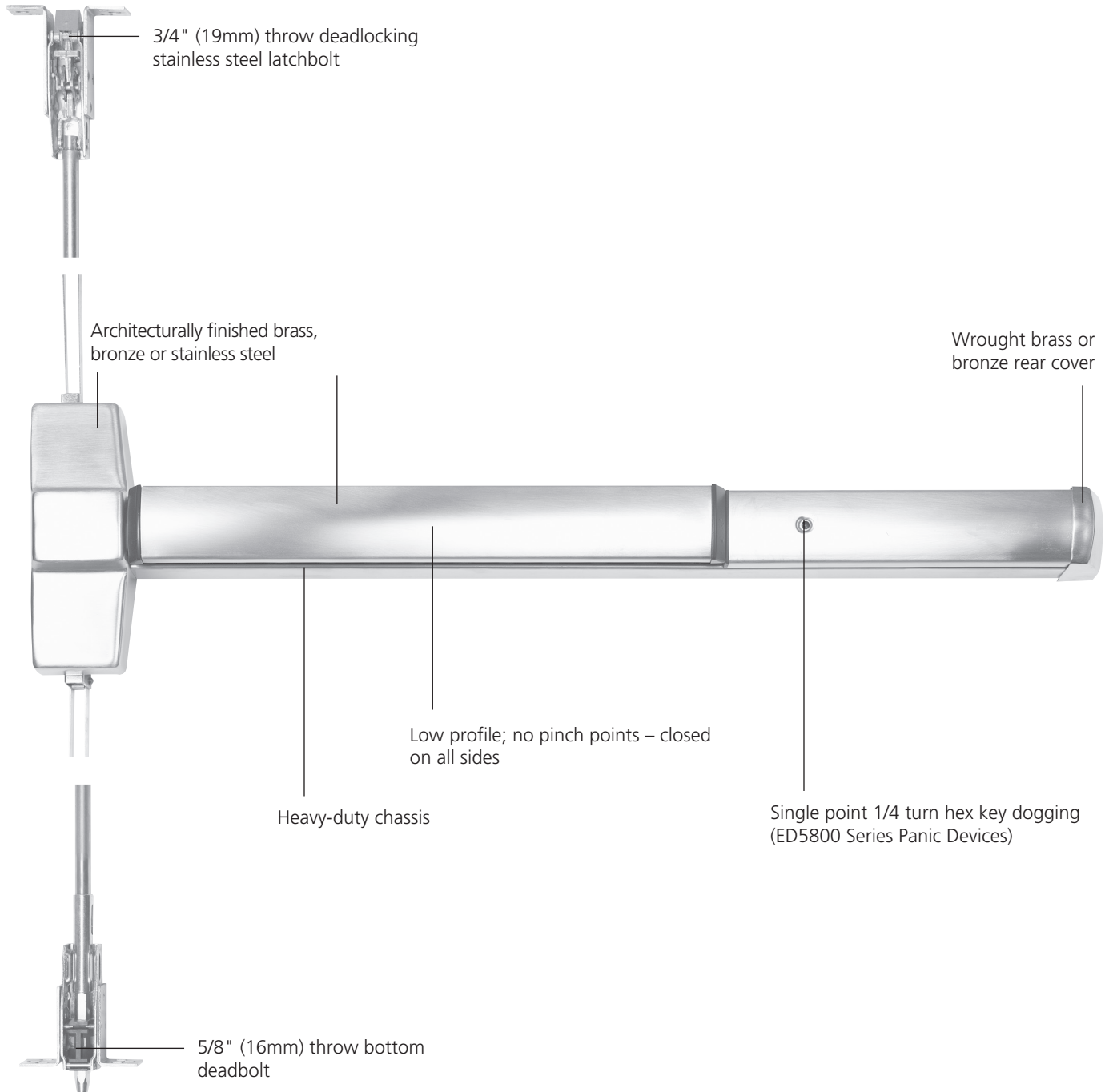
| | |
|--------------------------------------|--|
| BHMA 605 | Bright Brass |
| BHMA 606 | Satin Brass |
| BHMA 611 | Bright Bronze |
| BHMA 612 | Satin Bronze |
| BHMA 613 | Oxidized Bronze, oil rubbed, available lacquered |
| 613E | Dark Oxidized Satin Bronze Equivalent |
| BHMA 618 | Bright Nickel Plated |
| BHMA 619 | Satin Nickel Plated |
| BHMA 625 | Bright Chromium Plated |
| BHMA 626 ¹ (Trim only) | Satin Chromium Plated |
| 626C ² | Satin Chromium Plated with MicroShield® |
| BHMA 629 | Bright Stainless Steel |
| BHMA 630 | Satin Stainless Steel |
| 630C ² | Satin Stainless Steel with MicroShield® |
| 722 | Black oxidized bronze, oil rubbed |
| BSP | Black Suede Powder |
| WSP | White Suede Powder Coat |

1. Contact factory for devices required in BHMA 626

2. Finish available with MicroShield® antimicrobial coating.

Concealed Vertical Rod Features

ED5800 AND ED5800A CONCEALED VERTICAL ROD EXIT DEVICES FOR USE WITH METAL DOORS ONLY



Concealed Vertical Rod Features



ED5860 PANIC-LISTED CONCEALED VERTICAL ROD EXIT DEVICE ED5860B 1-1/2 HOUR FIRE-LISTED CONCEALED VERTICAL ROD EXIT DEVICE FOR USE WITH METAL OR WOOD DOORS

FEATURES

Handing

- Device is handed but is easily field reversible. Lever trim is handed.

Bar length

- Easily field cut to size.
- Standard: 36" (914mm) bar fits 30" - 36" (762mm-914mm) door.
- Optional: 24" (610mm) bar fits 24" (610mm) door; specify W024.
- Optional: 48" (1219mm) bar fits 36"-48" (914mm-1219mm) door; specify W048.

Door Thickness

- 1-3/4" (14mm) standard.
- Optional: 2" (51mm); specify D200.
- Optional: 2-1/4" (57mm); specify D214.

Stile

- Minimum width 4-1/2" (114mm).

Door Height

- Standard: top rod for 8' door.
- Telescoping rod assembly to accommodate various door heights.
- Optional door heights up to 10' available; see Quick Codes, page 56.

Latchbolt

- Top: 3/4" (19mm) throw, stainless steel, pullman-type with automatic deadlatching.
- Bottom: 5/8" (16mm) throw deadbolt, held retracted during door swing.

Vertical Rods

- 1/2" O.D. tubing, electroplated for corrosion resistance.

Less Bottom Rod

- Optional on ED5860 and ED5860B devices only; specify M55.

Heat-Activated Door Bolt (Popper)

- Standard with all fire-rated devices with M55 option (less bottom rod).

Materials

- Heavy-duty cold-forged steel chassis; heavy-gauge steel mechanisms, electroplated for corrosion resistance; finished parts are brass, bronze or stainless steel; stainless steel springs; nylon bearings.

Projection

- 3-1/4" (83mm) active, 2-3/4" (70mm) dogged.

Dogging

- Standard on panic devices; single-point 1/4 turn hex key dogging.

- Optional: less dogging, specify M51.
- Optional: cylinder dogging, specify M52.
- Mechanical dogging not available on fire-rated devices.

Fasteners

- Standard on panic devices: machine screws and wood door fasteners.
- Standard on fire-rated devices: sex nuts and bolts.
- Optional on panic devices: sex nuts and bolts for use on wood, composite, or unreinforced metal doors; specify M54.
- Optional wood screws for use on approved fire-rated solid wood or wood core doors. Specify M64.

Strike

- Top: mortise. Bottom: flush mounted.
- Optional strikes available; see Options and Accessories, page 51.

Functions and Trims

- Through-bolted lever, pull and thumbpiece trims available with wide range of functions; see Trims and Functions, pages 18-25.

Cylinders

- Cylinder not included unless specified. See Quick Codes, page 54.

Shim Kit

- Optional for mounting device over raised vision light molding; specify M58.

Applications and Listings

- For use with metal or wood doors. See page 4.

Warranty

- Five-year limited.

CERTIFICATION/COMPLIANCE ANSI

- Meets A156.3, Type 7 and 8, Grade 1.
- Meets A117.1 Accessibility Code.

UL/cUL

- All devices listed for safety as panic hardware; devices comply with UL 305 standards for panic hardware. 1-1/2 hour fire-rated devices listed as fire exit hardware for B label and lesser class 8' x 10' double doors; UL symbol on active case cover indicates listings.
- Any retrofit or other field modification to a fire rated opening can potentially impact the fire rating of the opening, and Corbin Russwin, Inc. makes no representations or warranties concerning what such impact may

be in any specific situation. When retrofitting any portion of an existing fire rated opening, or specifying and installing a new fire-rated opening, please consult with a code specialist or local code official (Authority Having Jurisdiction) to ensure compliance with all applicable codes and ratings.

California State Reference Code

- This product has been approved by the California State Fire Marshal pursuant to section 13144.1 of the California Health and Safety Code.

NFPA

- All exit devices comply with NFPA 101 Life Safety Code.
- All fire-rated devices comply with NFPA 80 Fire Doors and Windows.

ADA

- Exit devices, lever trims and pulls comply with Americans with Disabilities Act.

FINISHES

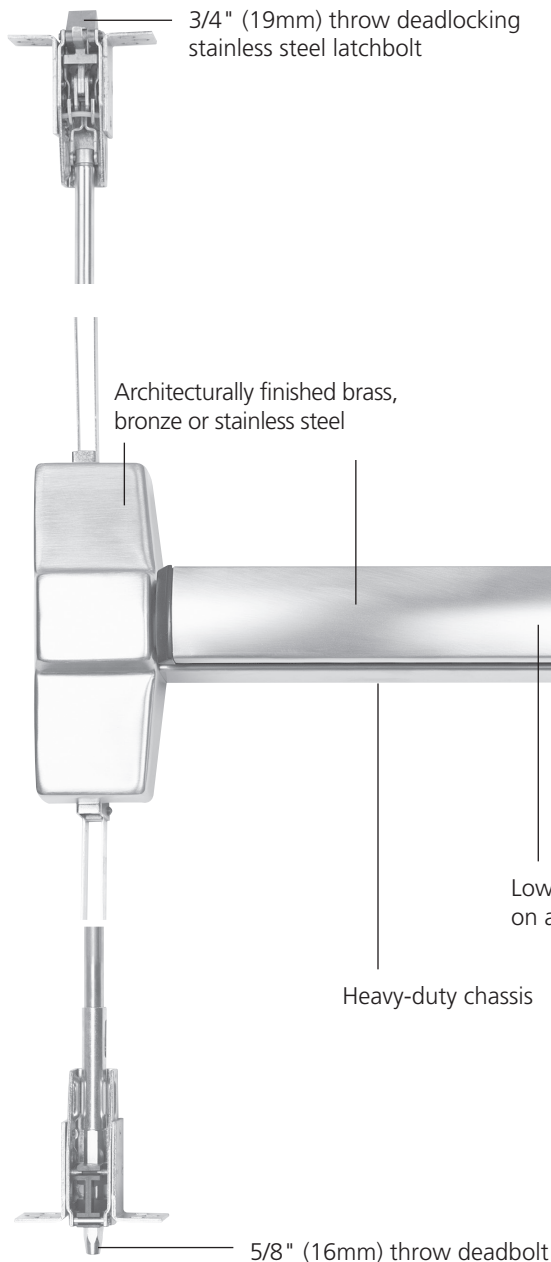
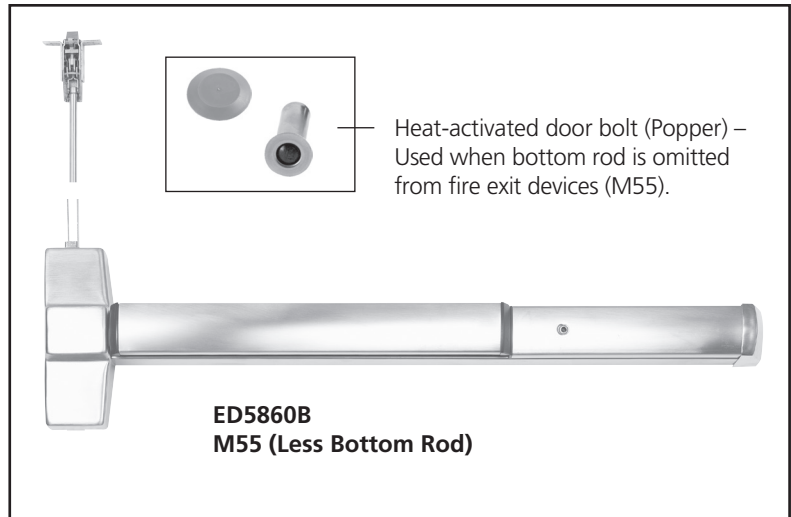
| | |
|--------------------------------------|--|
| BHMA 605 | Bright Brass |
| BHMA 606 | Satin Brass |
| BHMA 611 | Bright Bronze |
| BHMA 612 | Satin Bronze |
| BHMA 613 | Oxidized Bronze, oil rubbed, available lacquered |
| 613E | Dark Oxidized Satin Bronze Equivalent |
| BHMA 618 | Bright Nickel Plated |
| BHMA 619 | Satin Nickel Plated |
| BHMA 625 | Bright Chromium Plated |
| BHMA 626 ¹ (Trim only) | Satin Chromium Plated |
| 626C ² | Satin Chromium Plated with MicroShield® |
| BHMA 629 | Bright Stainless Steel |
| BHMA 630 | Satin Stainless Steel |
| 630C ² | Satin Stainless Steel with MicroShield® |
| 722 | Black oxidized bronze, oil rubbed |
| BSP | Black Suede Powder |
| WSP | White Suede Powder Coat |

1. Contact factory for devices required in BHMA 626

2. Finish available with MicroShield® antimicrobial coating.

Concealed Vertical Rod Features

**ED5860 AND ED5860B
CONCEALED VERTICAL ROD
EXIT DEVICES
FOR USE WITH METAL OR
WOOD DOORS**



Wrought brass or
bronze rear cover

Low profile; no pinch points – closed
on all sides

Heavy-duty chassis

Single point 1/4 turn
hex key dogging
(ED5860 Series Panic Devices)

Functions

PULL AND THUMBPIECE TRIM

| Rim/ SecureBolt® ED5200(A) ED5200S(A) | | Surface Vertical Rod ED5400(A) ED5470(B) | | Concealed Vertical Rod ED5800(A) ED5860(B) | | Type | ANSI No. | Function Description |
|--|---------|---|---------|--|---------|--------------------------------------|----------|---|
| Inside | Outside | Inside | Outside | Inside | Outside | | | |
| | | | | | | Exit Only | 01 | Exit only; no trim. |
| | | | | | | Dummy | 02 | Entrance by trim when actuating bar is dogged down. |
| | | | | | | Nightlatch | 03 | Entrance by trim when latchbolt is retracted by key. |
| | | | | | | Classroom* | 05 | Entrance by thumbpiece. Key locks or unlocks thumbpiece. |
| | | | | | | Passage | 15 | Entrance by trim when latch is retracted by thumbpiece. Thumbpiece is always active, no cylinder. |
| | | | | | | Storeroom (Thumbpiece Active) | 06 | Entrance by thumbpiece only when released by key. Key removable only when locked. |

*Classroom function trims can be converted to Storeroom function by a simple field adjustment.

Functions

LEVER TRIM


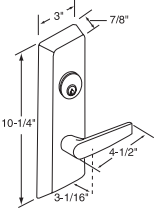

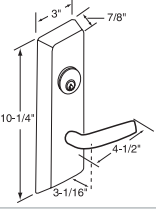

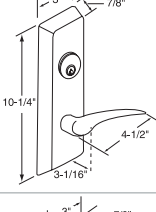

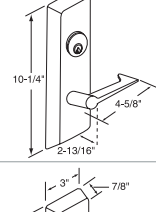

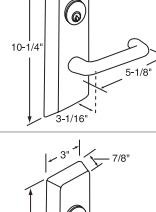

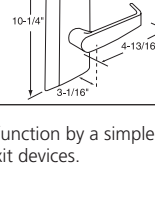
| Rim/ SecureBolt® ED5200(A) ED5200S(A) | | Surface Vertical Rod ED5400(A) ED5470(B) | | Concealed Vertical Rod ED5800(A) ED5860(B) | | Type | ANSI No. | Function Description |
|--|---------|---|---------|--|---------|------------------------------------|----------|--|
| Inside | Outside | Inside | Outside | Inside | Outside | | | |
| | | | | | | Exit Only | 01 | Exit only; no trim. |
| | | | | | | Dummy | 02 | Entrance by trim when actuating bar is dogged down. |
| | | | | | | Nightlatch | 03 | Entrance by trim when latchbolt is retracted by key. |
| | | | | | | Classroom* | 08 | Entrance by lever. Key locks or unlocks lever. |
| | | | | | | Passage | 14 | Entrance by trim when latchbolt is retracted by lever. Lever always active, no cylinder. |
| | | | | | | Storeroom (Grip Active) | 09 | Entrance by lever only when released by key. Key removable only when locked. |

*Classroom function trims can be converted to Storeroom function by a simple field adjustment.

Heavy-Duty Trims & Functions

RIM, SECUREBOLT®, VERTICAL ROD FEATURES:

- Free Wheeling vandal-resistant design
- Beveled edges
- Through-bolted to exit device
- Flush cylinder with 6-pin cylinder applications
- 5-year limited warranty



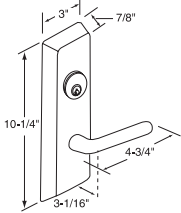


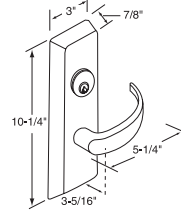

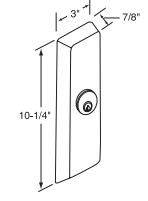
| Pull Trim Design | Trim/Function | | | | |
|--|---------------------------|-------------------------|-----------------------------|------------------------------|-----------------------------|
| | Passage ANSI No. 14 | Dummy ANSI No. 02 | Classroom ANSI No. 08 | Nightlatch ANSI No. 03 | Storeroom ANSI No. 09 |
|  <p>Armstrong A9 Lever: Cast Escutcheon: Forged Cylinder: Rim</p>  | A910ET | A950ET | A955ET ¹ | A957ET ² | A959ET ¹ |
|  <p>Citation C9 Lever: Cast Escutcheon: Forged Cylinder: Rim</p>  | C910ET | C950ET | C955ET ¹ | C957ET ² | C959ET ¹ |
|  <p>Dirke D9 Lever: Cast Escutcheon: Forged Cylinder: Rim Handed: Specify RHR or LHR</p>  | D910ET | D950ET | D955ET ¹ | D957ET ² | D959ET ¹ |
|  <p>Essex E9 Lever: Cast Escutcheon: Forged Cylinder: Rim</p>  | E910ET | E950ET | E955ET ¹ | E957ET ² | E959ET ¹ |
|  <p>Lustra L9 Lever: Cast Escutcheon: Forged Cylinder: Rim</p>  | L910ET | L950ET | L955ET ¹ | L957ET ² | L959ET ¹ |
|  <p>Newport N9 Lever: Cast Escutcheon: Forged Cylinder: Rim</p>  | N910ET | N950ET | N955ET ¹ | N957ET ² | N959ET ¹ |

1. Classroom function trims can be converted to Storeroom function by a simple field adjustment.
 2. Not recommended for use on ED5400 or ED5800 series exit devices.

Heavy-Duty Trims & Functions

RIM, SECUREBOLT®, VERTICAL ROD FEATURES:

- Free Wheeling vandal-resistant design
- Beveled edges
- Through-bolted to exit device
- Flush cylinder with 6-pin cylinder applications
- 5-year limited warranty



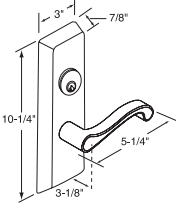


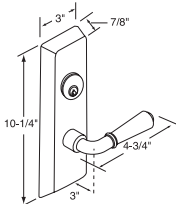


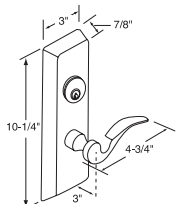
| Pull Trim Design | Trim/Function | | | | |
|--|---------------------------|-------------------------|-----------------------------|------------------------------|-----------------------------|
| | Passage ANSI No. 14 | Dummy ANSI No. 02 | Classroom ANSI No. 08 | Nightlatch ANSI No. 03 | Storeroom ANSI No. 09 |
|  <p>Regis R9 Lever: Cast Escutcheon: Forged Cylinder: Rim</p>   | R910ET | R950ET | R955ET ¹ | R957ET ² | R959ET ¹ |
|  <p>Princeton PR9 Lever: Cast Escutcheon: Forged Cylinder: Rim</p>   | PR910ET | PR950ET | PR955ET ¹ | PR957ET ² | PR959ET ¹ |
|  <p>Escutcheon F9 Escutcheon: Forged Cylinder: Rim</p>  | N/A | F950ET | N/A | F957ET ² | N/A |

1. Classroom function trims can be converted to Storeroom function by a simple field adjustment.
 2. Not recommended for use on ED5400 or ED5800 series exit devices.

Utility Trims and Functions

RIM, SECUREBOLT®, VERTICAL ROD FEATURES:

- Free Wheeling vandal-resistant design
- Beveled edges
- Through-bolted to exit device
- Flush cylinder with 6-pin cylinder applications
- 5-year limited warranty


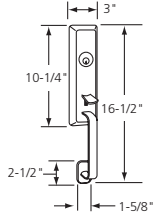


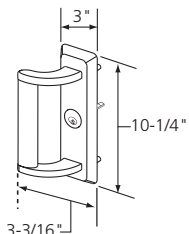


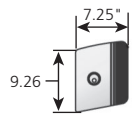
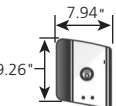
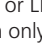
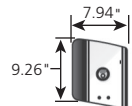



| Pull Trim Design | Trim/Function | | | | |
|--|---------------------------|-------------------------|-----------------------------|------------------------------|-----------------------------|
| | Passage ANSI No. 14 | Dummy ANSI No. 02 | Classroom ANSI No. 08 | Nightlatch ANSI No. 03 | Storeroom ANSI No. 09 |
|  <p>Frascati FR9 Lever: Cast Escutcheon: Forged Cylinder: Rim Handed: Specify RHR or LHR</p>   | FR910ET | FR950ET | FR955ET ¹ | FR957ET ² | FR959ET |
|  <p>Merlot M9 Lever: Cast Escutcheon: Forged Cylinder: Rim</p>   | M910ET | M950ET | M955ET ¹ | M957ET ² | M959ET |
|  <p>Zinfandel Z9 Lever: Cast Escutcheon: Forged Cylinder: Rim Handed: Specify RHR or LHR</p>   | Z910ET | Z950ET | Z955ET ¹ | Z957ET ² | Z959ET |

1. Classroom function trims can be converted to Storeroom function by a simple field adjustment.
2. Not recommended for use on ED5400 or ED5800 series exit devices.

Utility Trims and Functions

RIM, SECUREBOLT®, VERTICAL ROD FEATURES:

- Free Wheeling vandal-resistant design
- Beveled edges
- Through-bolted to exit device
- Flush cylinder with 6-pin cylinder applications
- 5-year limited warranty

| Pull Trim Design | Trim/Function | | | | |
|---|------------------------------|-------------------------|--------------------------------|------------------------------|--------------------------------|
| | Passage ANSI No. 14/15 | Dummy ANSI No. 02 | Classroom ANSI No. 05/08 | Nightlatch ANSI No. 03 | Storeroom ANSI No. 06/09 |
|  <p>TH900 Trim Pull: Extruded Escutcheon: Forged Cylinder: Rim Projection: 2-11/16"</p>  | TH910ET | TH950ET | TH955ET ¹ | TH957ET ² | TH959ET ¹ |
|  <p>Offset Pull P9  Pull: Extruded Escutcheon: Forged Cylinder: Rim Handed. Specify RHR or LHR</p>  | N/A | P950ET | N/A | P957ET ² | N/A |
|  <p>VT9 Trim  Plate: Formed Stainless Steel Cylinder: Rim Handed: Specify RHR or LHR Available in 630 finish only.</p>  | N/A | VT950ET | N/A | VT957ET ² | N/A |
|  <p>VTL Trim  Plate: Formed Stainless Steel Cylinder: Rim Handed: Specify RHR or LHR Available in 630 finish only.</p>  | N/A | VTL950ET ³ | N/A | VTL957ET ^{2,3} | N/A |
|  <p>Key Only K1²  Note: Available with cylinder option only. Ex: K157 x 6P.</p>  | N/A | N/A | N/A | K157ET ^{2,4} | N/A |

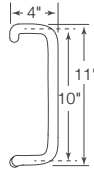
1. Classroom function trims can be converted to Storeroom function by a simple field adjustment.
 2. Not recommended for use on ED5400 or ED5800 series exit devices.
 3. VTL has a lip that covers door gap and protects the latch.
 4. Not available in 625 or 626 finish. Supplied in 629 or 630 respectively.

Utility Trims and Functions

Offset Pull Trim: P12, P13, P14*



Offset Pull P12
Clearance: 2-1/2"



Specify Part Number, 716F50M x Finish¹



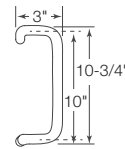
Offset Pull P13
Clearance: 2-1/2"



Specify Part Number, 716F51M x Finish¹



Offset Pull P14
Clearance: 2-1/2"



Specify Part Number, 716F52M x Finish¹

1. Available in 605, 606, 612, 613, 626, 629 and 630 finishes.

*Available on 1-3/4" thick doors only.

Utility Trims and Functions

RIM, SECUREBOLT®, VERTICAL ROD FEATURES:

- Free Wheeling vandal-resistant design
- Beveled edges
- Through-bolted to exit device
- Flush cylinder with 6-pin cylinder applications
- 5-year limited warranty



Lever: Cast
Escutcheon: Forged
Cylinder: Rim

| Lever Designs (Choose from list below) | Functions | | | | | How to Order Example: Trim x Function # 102910 |
|---|---|---------------------------------------|---|--|---|---|
| | Passage ANSI No. 14 Function #910 | Dummy ANSI No. 02 Function #950 | Classroom ANSI No. 08 Function #955 | Nightlatch ANSI No. 03 Function #957 | Storeroom ANSI No. 09 Function #959 | |
| Muséo® | | | | | | |
| Georgia | | | | | | |
| | 102 | 103 | 104 ⁴ | 124 ² | 125 ² | |
| Salvador | | | | | | |
| | 106 | 107 | 108 | 109 | 110 | 123 ² 128 ² |
| Marc | | | | | | |
| | 111 ⁴ | 112 ⁴ | 114 ⁴ | 115 ⁴ | 116 ⁴ | 131 ^{2,4} 151 |
| Jackson | | | | | | |
| | 105 ⁴ | 117 ⁴ | 119 ⁴ | 121 ⁴ | 126 ^{2,4} | 152 |
| Piet* | | | | | | |
| | 21G | 21L | 21M | 21S | 23M | 25M 27M |
| Joseph³ | | | | | | |
| | 133 | 134 ² | 135 | 136 ² | 137 | 138 ² |
| Georges | | | | | | |
| | 139 | 140 | 143 | | | |
| Laszlo | | | | | | |
| | 147 | 148 | 149 | 150 | | |

*See pages 60 for how to order the Muséo® Piet Lever Collection.

1. Classroom function trims can be converted to Storeroom function by a simple field adjustment.
2. Complies with codes requiring lever to return to within 1/2" (13mm) of door face.
3. 135-138 contain white or black polycarbonate insert
4. Not available in 32D or 32 finish

Mortise Features



ED5600 PANIC-LISTED MORTISE EXIT DEVICE
ED5602L PANIC-LISTED MORTISE DOUBLE CYLINDER EXIT DEVICE
ED5602AL 3-HOUR FIRE-LISTED MORTISE DOUBLE CYLINDER EXIT DEVICE

FEATURES

Handing

- Device is non-handed.
- Mortise lock body is handed, but field reversible.
- Lever trim may be handed.

Bar length

- Easily field cut to size.
- Standard: 36" (914mm) bar fits 30" - 36" (762mm-914mm) door.
- Optional: 24" (610mm) bar fits 24" (610mm) door; specify W024.
- Optional: 48" (1219mm) bar fits 36"-48" (914mm-1219mm) door; specify W048.

Door Thickness

- 1-3/4" (44mm) standard.
- Optional: 2" (51mm); specify D200.
- Optional: 2-1/4" (57mm); specify D214.

Stile

- Minimum width 4-1/2" (114mm).

Latchbolt

- 2-piece mechanical, 3/4" (19mm) throw, stainless steel with auxiliary deadlocking latch.

Materials

- Heavy-duty cold-forged steel chassis; heavy-gauge steel mechanisms, electroplated for corrosion resistance; finished parts are brass, bronze or stainless steel; stainless steel springs; nylon bearings.

Projection

- 3-1/4" (83mm) active, 2-3/4" (70mm) dogged.

Dogging

- Standard on panic devices; single-point 1/4 turn hex key dogging.
- Optional: less dogging, specify M51.
- Optional: cylinder dogging, specify M52.
- Mechanical dogging not available on fire-rated devices.

Fasteners

- Standard on panic devices: machine screws and wood door fasteners.
- Standard on fire-rated devices: sex nuts and bolts.

- Optional on panic devices: sex nuts and bolts for use on wood, composite, or unreinforced metal doors; specify M54.
- Optional wood screws for use on approved fire-rated solid wood or wood core doors. Specify M64.

Strike

- Non-handed. ANSI curved lip standard. 4-7/8" x 1-1/4" x 1-1/4" lip to center.
- Optional strikes available; see Options and Accessories, page 51.

Functions and Trims

- Through-bolted lever, pull and thumbpiece trims available with wide range of functions; see Trims and Functions, pages 28-35.

Cylinders

- Cylinder not included unless specified. See Quick Codes, page 54.

Shim Kit

- Optional for mounting device over raised vision light molding; specify M58.

Applications and Listings

- See page 4.

Warranty

- Five-year limited.

CERTIFICATION/COMPLIANCE

ANSI

- Meets A156.3, Type 3, Grade 1.
- Meets A117.1 Accessibility Code.

UL/cUL

- All devices listed for safety as panic hardware; devices comply with UL 305 standards for panic hardware. Three-hour fire-rated devices listed as fire exit hardware for A label and lesser class 4' x 8' single or 8' x 8' double doors; UL symbol on active case cover indicates listings.
- Any retrofit or other field modification to a fire rated opening can potentially impact the fire rating of the opening, and Corbin Russwin, Inc. makes no representations or warranties concerning what such impact may be in any specific situation. When retrofitting any portion

of an existing fire rated opening, or specifying and installing a new fire-rated opening, please consult with a code specialist or local code official (Authority Having Jurisdiction) to ensure compliance with all applicable codes and ratings.

California State Reference Code

- This product has been approved by the California State Fire Marshal pursuant to section 13144.1 of the California Health and Safety Code.

NFPA

- All exit devices comply with NFPA 101 Life Safety Code.
- All fire-rated devices comply with NFPA 80 Fire Doors and Windows.

ADA

- Exit devices, lever trims and pulls comply with Americans with Disabilities Act.

FINISHES

| | |
|--------------------------------------|--|
| BHMA 605 | Bright Brass |
| BHMA 606 | Satin Brass |
| BHMA 611 | Bright Bronze |
| BHMA 612 | Satin Bronze |
| BHMA 613 | Oxidized Bronze, oil rubbed, available lacquered |
| 613E | Dark Oxidized Satin Bronze Equivalent |
| BHMA 618 | Bright Nickel Plated |
| BHMA 619 | Satin Nickel Plated |
| BHMA 625 | Bright Chromium Plated |
| BHMA 626 ¹ (Trim only) | Satin Chromium Plated |
| 626C ² | Satin Chromium Plated with MicroShield® |
| BHMA 629 | Bright Stainless Steel |
| BHMA 630 | Satin Stainless Steel |
| 630C ² | Satin Stainless Steel with MicroShield® |
| 722 | Black oxidized bronze, oil rubbed |
| BSP | Black Suede Powder |
| WSP | White Suede Powder Coat |

1. Contact factory for devices required in BHMA 626
2. Finish available with MicroShield® antimicrobial coating.

Mortise Features

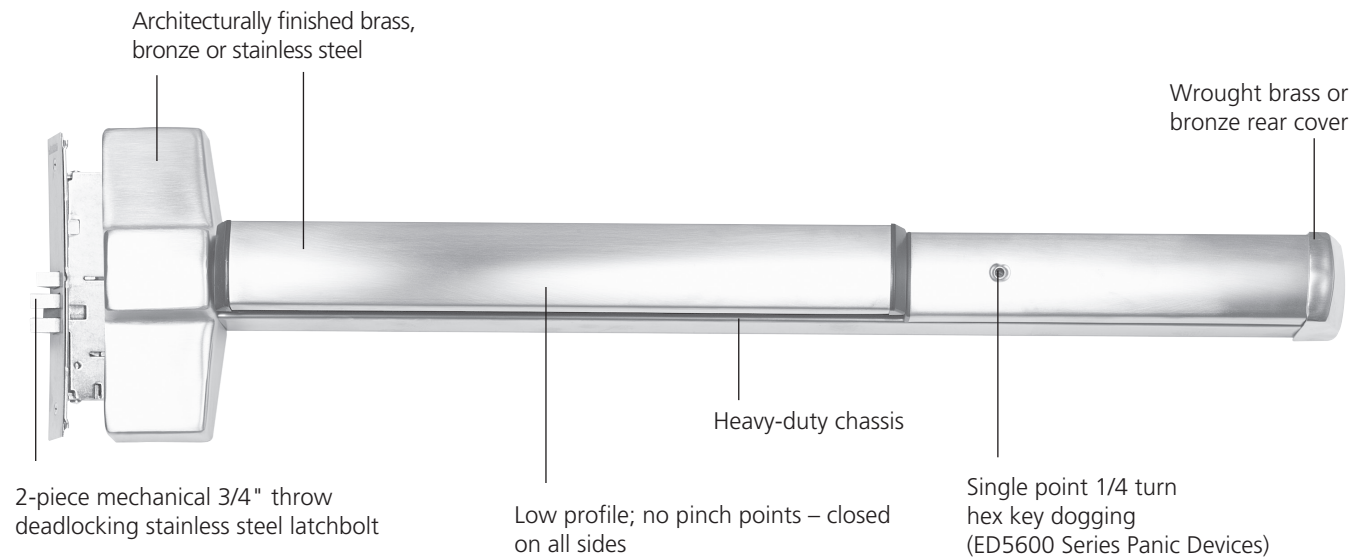
**ED5600K, ED5657K, ED5600L, ED5602L,
ED5657L, ED5600T, ED5657T
MORTISE PANIC-LISTED EXIT DEVICES**

**ED5600AK, ED5657AK, ED5600AL, ED5602AL,
ED5657AL ED5600AT, ED5657AT
MORTISE FIRE-LISTED EXIT DEVICES**



HOW TO ORDER/SPECIFY Mortise Exit

| Trim Type | Functions | Panic | Fire |
|---------------------|--|---------|----------|
| Lever or Flat Plate | Passage Classroom | ED5600L | ED5600AL |
| | Double Cylinder (Classroom function Trim only) | ED5602L | ED5602AL |
| | Nightlatch Dummy | ED5657L | ED5657AL |
| Thumbpiece | Passage Classroom | ED5600T | ED5600AT |
| | Nightlatch Dummy | ED5657T | ED5657AT |



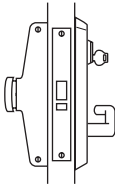
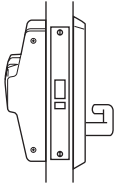
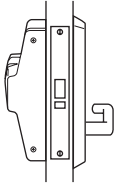
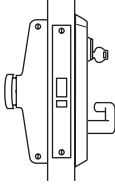
Mortise Functions

EXIT ONLY, PULL AND THUMBPIECE TRIM

| Mortise ED5600L ED5600AL | | Type | ANSI No. | Function Description |
|--------------------------------|---------|------------|----------|--|
| Inside | Outside | | | |
| | | Exit Only | 01 | Exit only; no trim. |
| Mortise ED5600T ED5600AT | | Type | ANSI No. | Function Description |
| Inside | Outside | | | |
| | | Classroom | 05 | Entrance by thumbpiece. Key locks or unlocks thumbpiece. Specify Thumbpiece - ED5600T or ED5600AT. |
| | | Passage | 15 | Entrance by trim when latch is retracted by thumbpiece. Thumbpiece always active, no cylinder. Specify Thumbpiece - ED5600T or ED5600AT. |
| Mortise ED5657T ED5657AT | | Type | ANSI No. | Function Description |
| Inside | Outside | | | |
| | | Dummy | 02 | Entrance by trim when actuating bar is dogged down. Specify ED5657T or ED5657AT. |
| | | Nightlatch | 03 | Entrance by trim when latchbolt is retracted by key. Key removable only when locked. Specify ED5657T or ED5657AT. |

Mortise Functions

LEVER TRIM

| Mortise ED5600L ED5600AL ED5600K ED5600AK Inside Outside | Type | ANSI No. | Function Description |
|---|--------------|----------|--|
|  | Classroom** | 08 | Entrance by lever. Key locks or unlocks lever. |
|  | Passage* | 14 | Entrance by trim when latchbolt is retracted by lever. Lever always active, no cylinder. Specify K, AK, L or AL. |
| Mortise ED5657L ED5657AL ED5657K ED5657AK Inside Outside | Type | ANSI No. | Function Description |
|  | Dummy* | 02 | Entrance by trim when actuating bar is dogged down. |
|  | Nightlatch** | 03 | Entrance by trim when latchbolt is retracted by key. Key removable only when locked. Specify ED5657L, ED5657AL, ED5657K, ED5657AK. |




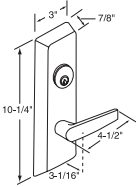



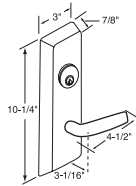



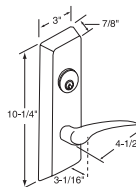



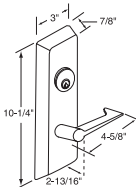



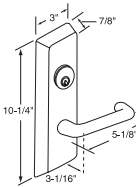



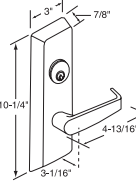
*Dummy and passage function trims are the same.

**Classroom and Nightlatch function trims are the same. Trim function must be specified when ordered with an exit to ensure that the correct lock body is supplied with the device.

Heavy-Duty Mortise Trims & Functions

FEATURES:




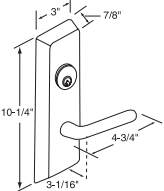



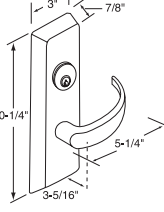


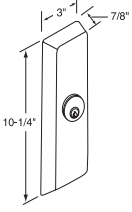
- Beveled edges
- Rigid lever when locked
- Flush cylinder
- Through-bolted to exit device
- 5-year limited warranty

| Pull Trim Design | Trim/Function | | | |
|--|---------------------------|-------------------------|-----------------------------|------------------------------|
| | Passage ANSI No. 14 | Dummy ANSI No. 02 | Classroom ANSI No. 08 | Nightlatch ANSI No. 03 |
|  <p>Armstrong A9M Lever: Cast Escutcheon: Forged Cylinder: 1-3/4" Mortise A02</p>    | A9M10 | A9M50 | A9M55 | A9M57 |
|  <p>Citation C9M Lever: Cast Escutcheon: Forged Cylinder: 1-3/4" Mortise A02</p>    | C9M10 | C9M50 | C9M55 | C9M57 |
|  <p>Dirke D9M Lever: Cast Escutcheon: Forged Cylinder: 1-3/4" Mortise A02 Handed: Specify RHR or LHR</p>    | D9M10 | D9M50 | D9M55 | D9M57 |
|  <p>Essex E9M Lever: Cast Escutcheon: Forged Cylinder: 1-3/4" Mortise A02</p>    | E9M10 | E9M50 | E9M55 | E9M57 |
|  <p>Lustra L9M Lever: Cast Escutcheon: Forged Cylinder: 1-3/4" Mortise A02</p>    | L9M10 | L9M50 | L9M55 | L9M57 |
|  <p>Newport N9M Lever: Cast Escutcheon: Forged Cylinder: 1-3/4" Mortise A02</p>    | N9M10 | N9M50 | N9M55 | N9M57 |

Heavy-Duty Mortise Trims & Functions

FEATURES:




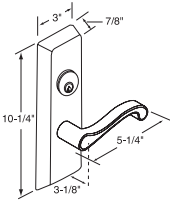



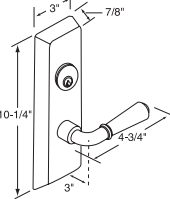



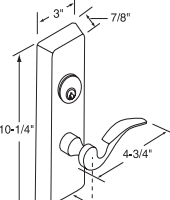
- Beveled edges
- Rigid lever when locked
- Flush cylinder
- Through-bolted to exit device
- 5-year limited warranty

| Trim Design | Trim/Function | | | |
|---|---------------------------|-------------------------|-----------------------------|------------------------------|
| | Passage ANSI No. 14 | Dummy ANSI No. 02 | Classroom ANSI No. 08 | Nightlatch ANSI No. 03 |
|  <p>Regis R9M Lever: Cast Escutcheon: Forged Cylinder: 1-3/4" Mortise A02</p>    | R9M10 | R9M50 | R9M55 | R9M57 |
|  <p>Princeton PR9M Lever: Cast Escutcheon: Forged Cylinder: 1-3/4" Mortise A02</p>    | PR9M10 | PR9M50 | PR9M55 | PR9M57 |
|  <p>Escutcheon F9 Escutcheon: Forged Cylinder: 1-3/4" Mortise A02</p>   | N/A | F950 | N/A | F9M57 |

Heavy-Duty Mortise Trims & Functions

FEATURES:

- Beveled edges
- Rigid lever when locked
- Flush cylinder
- Through-bolted to exit device
- 5-year limited warranty


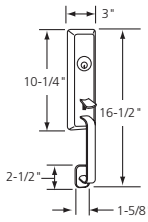

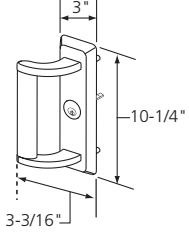

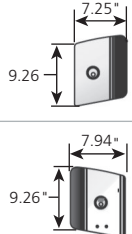


| Trim Design | Trim/Function | | | |
|--|---------------------------|-------------------------|-----------------------------|------------------------------|
| | Passage ANSI No. 14 | Dummy ANSI No. 02 | Classroom ANSI No. 08 | Nightlatch ANSI No. 03 |
|  <p>Frascati FR9M Lever: Cast Escutcheon: Forged Cylinder: 1-3/4" Mortise A02 Handed: Specify RHR or LHR</p>    | FR9M10 | FR9M50 | FR9M55 | FR9M57 |
|  <p>Merlot M9M Lever: Cast Escutcheon: Forged Cylinder: 1-3/4" Mortise A02</p>    | M9M10 | M9M50 | M9M55 | M9M57 |
|  <p>Zinfandel Z9M Lever: Cast Escutcheon: Forged Cylinder: 1-3/4" Mortise A02 Handed: Specify RHR or LHR</p>    | Z9M10 | Z9M50 | Z9M55 | Z9M57 |

Mortise Utility Trims & Functions

MORTISE

Features:

- Vandal-resistant design
- Beveled edges
- Through-bolted to exit device
- Flush cylinder with 6-pin cylinder applications
- 5-year limited warranty

| Pull Trim Design | Trim/Function | | | |
|--|------------------------------|-------------------------|--------------------------------|------------------------------|
| | Passage ANSI No. 14/15 | Dummy ANSI No. 02 | Classroom ANSI No. 05/08 | Nightlatch ANSI No. 03 |
|  <p>TH9M00 Trim Pull: Extruded Escutcheon: Forged Cylinder: 1-3/4" Mortise A02 Projection: 2-1 1/16"</p>  | TH9M10ET | TH9M50ET | TH9M55ET | TH9M57ET |
|  <p>Offset Pull P9M Pull: Extruded Escutcheon: Forged Cylinder: 1-3/4" Mortise A02 Handed: Specify RHR or LHR</p>  | N/A | P9M50ET | N/A | P9M57ET (03) |
|  <p>VT9M Trim Plate: Formed Stainless Steel Cylinder: Mortise Handed: Specify RHR or LHR Available in 630 finish only.</p>  | N/A | VT950ET | N/A | VT9M57ET |
|  <p>Key Only K1M Note: Available with cylinder option only. Ex: K1M57 x 6P.</p>  | N/A | N/A | N/A | K1M57ET |

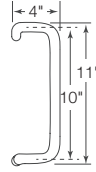
3. VTL has a lip that covers door gap and protects the latch.

Mortise Utility Trims & Functions

Offset Pull Trim: P12, P13, P14*



**Offset Pull
P12**
Clearance: 2-1/2"



Specify Part Number, 716F50M x Finish¹



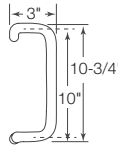
**Offset Pull
P13**
Clearance: 2-1/2"



Specify Part Number, 716F51M x Finish¹



**Offset Pull
P14**
Clearance: 2-1/2"



Specify Part Number, 716F52M x Finish¹

1. Available in 605, 606, 612, 613, 626, 629 and 630 finishes.


* Available on 1 3/4" thick doors only.
















































Mortise Decorative Trims & Functions

MORTISE FEATURES

- Beveled edges
- Rigid lever when locked
- Through-bolted to exit device
- Flush cylinder
- 5-year limited warranty



Lever: Cast
Escutcheon: Forged
Cylinder: 1-3/4"
Mortise A02 

| Lever Designs (Choose from list below) | Functions | | | | | | How to Order Example: Trim x Function # 102910 |
|---|---|---|---|---|---|---|---|
| | Passage ANSI No. 14 Function #910 | Dummy ANSI No. 02 Function #950 | Classroom ANSI No. 08 Function #955 | Nightlatch ANSI No. 03 Function #957 | Storeroom ANSI No. 09 Function #959 | | |
| Muséo® | | | | | | | |
| Georgia |  |  |  |  |  |  | |
| | 101 ⁴ | 102 | 103 | 104 ⁴ | 124 ² | 125 ² | |
| Salvador |  |  |  |  |  |  |  |
| | 106 | 107 | 108 | 109 | 110 | 123 ² | 128 ² |
| Marc |  |  |  |  |  |  |  |
| | 111 ⁴ | 112 ⁴ | 114 ⁴ | 115 ⁴ | 116 ⁴ | 131 ^{2,4} | 151 |
| Jackson |  |  |  |  |  |  |  |
| | 105 ⁴ | 117 ⁴ | 119 ⁴ | 121 ⁴ | 122 ⁴ | 126 ^{2,4} | 152 |
| Piet* |  |  |  |  |  |  |  |
| | 21G | 21L | 21M | 21S | 23M | 25M | 27M |
| Joseph³ |  |  |  |  |  |  | |
| | 133 | 134 ² | 135 | 136 ² | 137 | 138 ² | |
| Georges |  |  |  | | | | |
| | 139 | 140 | 143 | | | | |
| Laszlo |  |  |  |  | | | |
| | 147 | 148 | 149 | 150 | | | |

*See pages 60 for how to order the Muséo® Piet Lever Collection.
 1. Classroom function trims can be converted to Storeroom function by a simple field adjustment.
 2. Complies with codes requiring lever to return to within 1/2" (13mm) of door face.
 3. 135-138 contain white or back polycarbonate insert
 4. Not available in 32D or 32 finish

Electrified Exit Devices

ELECTRIFIED EXIT DEVICES

The Corbin Russwin ED5000 series electrified exit devices offer a complete range of options that may be integrated into the monitoring security and alarm systems of most buildings. The continuum of appearance is maintained, as well as the security and function of the ED5000 series mechanical exit device.



| List No. | Exit Device Description | Available options | | | | | | | | | | |
|-------------|-------------------------|-------------------|-----|-----|-----|-----|-----|-----|---|------|------|---|
| | | MELR | M61 | M91 | M92 | M93 | SAF | SEC | D | 9903 | 9905 | |
| ED5200 (A) | Rim Exit Device | x | x | x | x | x | | | | x | x | x |
| ED5200S (A) | Rim SecureBolt® Device | x | x | x | x | x | | | | x | x | x |
| ED5400 (A) | Surface Vertical Rod | x | x | x | x | x | | | | x | x | x |
| ED5470 (B) | Surface Vertical Rod | x | x | x | x | x | | | | x | x | x |
| ED5600 (A) | Mortise Exit Device | x | x | x | x | | x | x | | x | | |
| ED5800 (A) | Concealed Vertical Rod | x | x | x | x | x | | | | x | x | x |
| ED5860 (B) | Concealed Vertical Rod | x | x | x | x | x | | | | x | x | x |

ELECTRIFIED HARDWARE OPTION DESCRIPTIONS

| | |
|------|-------------------------------------|
| MELR | Motorized Electric Latch Retraction |
| M61 | Alarm Option |
| M91 | Bolt Monitor |
| M92 | Touchbar Monitor |
| M93 | Trim Monitor |
| SAF | Fail Safe Operation |
| SEC | Fail Secure Operation |
| D* | Delayed Egress ² |
| 9903 | Fail Safe Electrified Trim |
| 9905 | Fail Secure Electrified Trim |

* Add as suffix to exit device.
Example: ED5200D x 630 x RHR

Note 1: The following options cannot be ordered together on the same device:

- a) MELR & D
- b) (M61 or M92) & D
- c) M61 x M92
- d) M61 x MELR
- e) M61x M52
- f) M52 & D
- g) ED5600 x M91 & M93
- h) (ED5600 SAF or SEC) x (M91 or M93)
- i) Surface vertical rod exit devices with M61 x M91, M92 or M93.
- j) MELR x W024
- k) (ED5200 X 5CH) x MELR

Note 2: When ordering a surface vertical rod exit device with the D option, rod and latch guards (provided by other) must be used.

Note 3: M88 (NFPA30) M89 (BOCA-15) and M90 (BOCA-30) are available only as options for suffix "D" Delayed Egress Exit Devices.

Electrified Exit Devices

ELECTRIC LATCH RETRACTION - MELR

The Motorized Electric Latch Retraction (MELR) exit device provides remote-controlled latch retraction that delivers quiet, smooth operation for convenient, hassle-free egress. Easily installed in new applications and available as retrofit rail kit assemblies for field updates, the MELR features maintenance-free design with few moving parts using 86% less power consumption during retraction than solenoid devices. Plus, MELR is powered by a standard power supply, simplifying installation and increasing system design flexibility.

Application

- SecureBolt® Exit Devices
- Rim Exit Devices
- Surface Vertical Rod Exit Devices
- Concealed Vertical Rod Exit Devices
- Mortise Exit Devices

Listings

- UL listed for both Panic and Fire Exit
- Hardware. Windstorm rated with M107 option.

Bar Length/Door Width

- Easily field cut to size.
- Standard: 36" (914mm)* bar fits 34"-36" (762mm-914mm) door.
*Bar fits 34"-36" when equipped with MELR Option.
- Optional: 48" (1219mm)* bar fits 36"-48" (914mm-1219mm) door; specify W048.
*bar fits 39"-48" when equipped with MELR Option

Electrical Specifications

- 24VDC (LSP-12-24) regulated/filtered power supply. Requires 1A per device

Motor Driven Latch Retraction

- .65A amp max during retraction
- .2 amp holding-continuous duty
- Device bolts remain retracted for as long as the device is energized.
- Removal of power returns the device to the life safety, self-latching mechanical mode.
- Interfaces with central or local fire alarm system, automatic door operators, access control systems, security alarm systems, and blow open door systems.
- Amount of rail retraction is automatically controlled by controller PC board; system actively monitors position and speed and adjusts itself.

Timer

- Digital retraction timer (0-20 seconds) or set to power mode for access control systems.

Hinges

- Standard electric hinge. No special power transfer required.

Note:

- This feature is not available with delayed egress (D) on the same device.
- The MELR feature is not available when combined with the Exit Device Alarm (M61), or Delayed Egress (D) options.

Warranty

- 5 years

How to Order

- Specify Quick Code MELR.



MELR Retrofit Device Assembly

Existing solenoid and mechanical devices can be retrofit to motorized electric latch retraction (MELR) by purchasing retrofit kits via the following associated part numbers, if the device was manufactured after April 2015.

| List Number | Product Description | Available Options | | | |
|-------------|-----------------------------|-------------------|-----|------|------------|
| | | None | M93 | M107 | M107 & M93 |
| CRMELR-36 | ED5000 36" MELR Device Assy | X | X | X | X |
| CRMELR-48 | ED5000 48" MELR Device Assy | X | X | X | X |

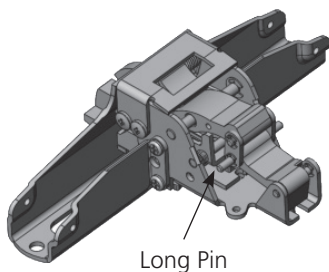
Note:

- For devices that use the M91 option, simply connect the wire from the existing switch to the new rail.
- For devices that use the M92 option, the existing switch needs to be moved and wired to the new rail.
- For a list of replacement parts for existing motorized electric latch retraction devices, contact Technical Product Support at 888-607-5703.
- Recommend LSP-12-24.

LATCHHEAD REQUIREMENTS

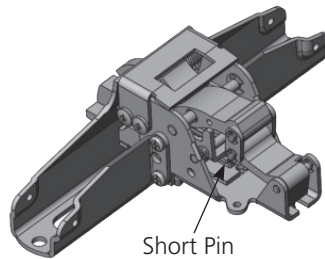
Existing solenoid and mechanical devices manufactured prior to April 2015 require the device assembly retrofit kit (see above) and a new latchhead. Refer to the ED5000 Series Parts & Service Manual for latchhead replacement part numbers.

Latchhead Pins (Since April 2015 (17/15))



Latchhead Pins (Prior to April 2015 (17/15))

New latchheads must be ordered when upgrading to MELR if the Date Code Label is before 17/15. See parts manual for replacement part numbers.



Date Code Label Example

80-7710-0010-048
AAO
17/15

17/15 refers to 17th week of 2015.

Note: Label with date code is located on front face of latch head.

Electrified Exit Devices

DELAYED EGRESS EXIT DEVICE - D

The delayed egress option provides additional security and safety in a strong line of exit hardware. The delayed egress exit device is an electromechanical device used to secure interior or exterior openings.

Operation

The exit door is normally closed and latched. The Delayed Egress Exit Device "D" secures the door in the locked mode with the solid Red LED indicating locked mode status. Depressing the pushpad for less than 3 seconds will sound the nuisance beep without initiating the alarm. Depressing the pushpad for 3 seconds or longer will initiate an irreversible local audible beeping tone and a visual amber indicator until the device releases. The person depressing the exit bar is denied egress for 15 or 30 seconds and security personnel are alerted. After the delay time of 15 or 30 seconds the device releases, the LED changes to Green, and the alarm changes to a steady tone which continues to alarm until manually reset by key. The remote monitoring contact outputs can be used to alert security personnel.

Note: The 15-second time delay is standard. 30-second time delay is optional (may be accepted by local jurisdiction).

Applications

- For use on hollow metal, wood or composite interior or exterior doors.
- Available for rim, SecureBolt®, surface vertical rod, concealed vertical rod and mortise panic and fire-rated exit devices. For surface vertical rod exit devices, rod and latch guards must be used. Consult factory for more information.
- Complies with NFPA 101 "Code For Safety To Life From Buildings And Structures" by National Fire Protection Association.
- BOCA options available to comply with National Building Code requirements. BOCA option is not suitable for installations in accordance with NFPA 101.
- 1-3/4" (45mm) door thickness standard; 2" (51mm) and 2-1/4" (57mm) optional; specify D200 or D214 when ordering.



- Standard 36" device fits 36" doors only. Device cannot be cut less than 36".
- Option W048 fits doors 42" – 48". Devices cannot be cut less than 42".

Listing

- UL/cUL Listed
 - Fire Exit Hardware (GXHX/GXHX7)
 - Controlled Exit Panic Device (FUKD/FUKD7)
 - Special Locking Arrangements (FWAX/FWAX7)
- BHMA (ANSI A156.3 and ANSI A156.24) Directory of Certified Exit Devices

Specifications

- Input Voltage: 24VDC (+/- 10%) Regulated and filtered.

Power Consumption

- Standard Device: 500 mA
- Device with Electric Trim Control: 1.5 Amp
- Mortise Device with "Safe" or "Secure" option: 1.5 Amp

STANDARD FEATURES

Key Switch Operation:

- Normal: The system is armed by applying power to the device (solid Red LED). Depressing the pushpad for more than the nuisance delay time starts the exit delay cycle.
- Bypass: Turning the key switch clockwise to the bypass position allows immediate egress without alarming. The bar functions as a standard exit device. (Red LED flashes slow.)
- Reset/Delay: Used to reset device after the factory set 15 or optional 30 second delay cycle has timed out. If the device is armed, turning the key switch counterclockwise to the reset mode will release the device without alarm for egress and will rearm after 5, 10 (default), 20 or 40 seconds. (Red LED flashes quickly.)
- Alarm Strength: 85 Db @ 10'.

Local Visual Status Indicator:

- RED: The exit device is secure and the delayed egress circuitry is energized.
- AMBER: The egress cycle has started, indicated by an irreversible local audible beeping tone.
- GREEN: Exit device is in alarm and has released.

Nuisance Delay Time:

- With 3 second (default) setting depressing the push bar for less than 3 seconds sounds an audible beep without activating the irreversible alarm sequence. (Nuisance Delay Times are dip switch selectable to immediate, 1, 2, or 3 (default) seconds on the control board.

Internal Alarm Siren:

- When the exit device is armed, depressing the push pad initiates the internal 85db alarm siren.

Door Position Switch (DPS) Control Board input:

- Allows external DPS wiring to control board for higher security. Alarm sounds when the DPS contacts open when the door is forced open.

Remote Control Inputs:

- Remote Reset: Accepts a momentary contact (keyswitch, pushbutton, etc.) to reset the unit during alarm or allows momentary egress selectable 5, 10 (default), 20 or 40 seconds when the unit is armed.
- Remote Bypass: Accepts a momentary contact to put the unit in a maintained bypass operation. The exit device functions as a standard device.

Electrified Exit Devices

Alarm Outputs:

Contacts change only during alarm status. Alarm Relay Output contacts change state when device delay cycle has started (Alarm). Contacts are selectable for Normally Open (N.O.) or Normally Closed (N.C.) using the 2-pin jumper on the control board. N.O. is default setting. One set of contacts changes when device delay cycle has started (Alarm). Another set of contacts change state when device has released (Secure). Secure Relay Output has two sets of contacts (N.O. and N.C.). The Alarm Relay and Secure Relay contacts are SPDT type, rated 1A @24VDC.

Rearm After Closing (RAC)

Works in conjunction with an external DPS wired to the Control Board. Field selectable settings:

Setting 1: If the door is open beyond the momentary egress or remote reset time the device will Alarm.

Setting 2: If the door is open beyond the momentary egress or remote reset time the device will remain in egress mode indefinitely until the door closes (will not Alarm).

Door Sign:

Door sign per code included.

How to Order

Specify "D" suffix after device.
Example: ED5200SD

OPTIONS

Bolt Position Monitor M91:

SPDT (Single Pole Double Throw) switch that monitors the position of the latchbolt or vertical rods. To order, specify M91.

Outside Trim Monitor M93:

Used when outside trim is desired to be used with an external door position switch (by others) input. This switch will allow Bypass (disarms device) when the trim is used for ingress. The device requires setting after entry by means of the keyswitch on the device or a remote switch. To order, specify M93.

Note: If an external DPS is not used, standard trim will allow entry without

affecting the device in an armed mode. The device will only be affected when the touchbar is depressed.

Mortise Electric Trim Control SAF/SEC:

The mortise delayed egress exit device can be ordered with Fail Safe or Fail Secure outside trim operation. In a fire condition the Fail Safe trim will release for entry. When access control is used the Fail Secure trim allows entry by means of a remote card reader, keyswitch, pushbutton, etc. To order, specify SAF or SEC.

Note: The trim will open the door without affecting the device in an armed mode if a door position switch (by others) is not used.

30-Second Delay M88:

Device released after 30 seconds. The device will provide visual and audible indication that the delayed egress cycle has been activated. After the device has been released, the siren changes to a steady tone which continues until reset by keyswitch or remote inputs on the device. Required signage must indicate 30 seconds for release. To order, specify M88.

Note: 30 seconds may be accepted by local jurisdiction.

BOCA 15-Second Delay M89:

BOCA 30-Second Delay M90:

Upon pressing the touchpad for 3 seconds or more, the device will sound an audible beeping tone and release for egress after a total of 15 or 30 seconds, sounding the alarm. When the door is re-secured, the device will automatically rearm after 30 seconds. A door position switch (by others) is required for this option. Required signage must indicate 15 or 30 seconds for release. To order, specify M89 for BOCA 15 seconds or M90 for BOCA 30 seconds.

Note: BOCA option is not suitable for installations in accordance with NFPA 101.

REQUIRED ACCESSORIES

Power Supply:

A regulated and filtered power supply with a Fire Alarm interface is required. 1 Amp minimum @ 24VDC per device. Special options will require more amperage. Consult factory.

To order, specify:

- LSP-12-24 – 1 Amp @ 24VDC power supply (controls 1 "D" device) or;
- LSP-12-24 – 1.5 Amp @ 24VDC power supply (controls 2 "D"s or 1 "D" with SAF or SEC options)

Power Transfer:

Allows the power to make the transition from frame to door without pinching or removal of insulation. Optional power transfer: EPTL – concealed transfer for up to and over 120° swing doors. To order specify Part No. 704F28. Consult catalog for additional recommended power supplies and accessories.

Trims

Utilizes heavy-duty and utility trims. See Trims and Functions, pages 28-35.

Cylinders

Utilizes a 1-1/8" mortise cylinder; A02 cam. Cylinder not included unless specified. See Quick Codes, page 54.

Warranty

Exit devices and heavy-duty trim carry a five-year limited warranty. Electronic components carry a two-year limited warranty.



ElectroLynx® Power Transfer Device Options

| Hinge | External DPS | Options |
|-------|--------------|--|
| QC8 | Not required | None |
| QC12 | Required | M91, or M93, or Fail Safe/Secure Options |

Electrified Exit Devices

M61 EXIT ALARM



Activation

Alarm is armed by turning key clockwise. Low audible chirp indicates alarm has been activated. Alarm will sound when the exit device pushpad is depressed. Factory preset for standard alarm mode which automatically resets after 5 minutes.

Continuous Alarm Mode

Alarm sounds continuously when the exit device pushpad is depressed. Alarm must be manually reset by keyswitch. (This feature is selected by a switch on the circuit board.)

Low Battery Warning

Audible chirp. Every 30 seconds.

Warning Decal

"EMERGENCY EXIT-ALARM WILL SOUND" provided.

Nuisance Alarm

Units are factory preset for instant alarm. Selectable feature for alarm to sound when exit device touchbar is depressed for more than 2 seconds. (This feature is selected by a switch on the circuit board.)

Kit

Available in kit form for field retrofit except surface vertical rods. Order ED50AK.

Arming Delay/Authorized Egress

A 10-second delay (after arming) permits egress (by turning key clockwise).

Alarm Shunt

Ingress shunt alarm input for devices with signal & outside trim monitors (M91 & M93).

Power Requirements

One 9-volt battery (included).

Alarm Strength

90db @ 10 feet.

Arm/Disarm

Requires one 1-1/8" A02 cam mortise cylinder. Clockwise turn arms the alarm,

counterclockwise turn disarms or silences the alarm. Low audible chirp indicates alarm has been activated.

Device Status

A Red LED indicator will illuminate every 30 seconds when the alarm is armed.

Tamper Resistant

Built-in safety monitor sounds alarm when tampering occurs.

Cylinders

Mortise 1-1/8" A02 Cam. Cylinder not included unless specified. See Quick Codes, page 54.

Door Width

Available for 36"-48" devices only. Not available with devices less than 36". 48" device can be cut to fit 42"-48" door.

Quick Code

M61

Alarm Kit

ED50AK

ED50AK x W048 (48" devices) optional

Hard Wired Option

A hard wired option is available by using a 9VDC output power supply and a remote power harness. Specify 709F989 to order the remote power harness for a 36" device and specify 709F999 to order the remote power harness for a 48" device.

Exceptions

The ED50AK for the ED5000 series exit devices cannot be retrofitted in the field to the ED5400/5470 series surface vertical rod exit devices.

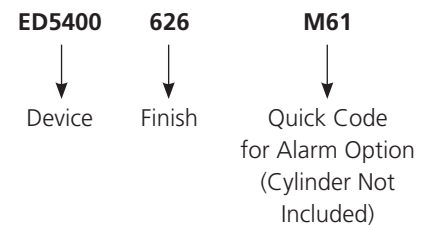
The alarm option is available for the surface vertical rod devices by factory order only. To order, add the quick code suffix M61 to the device number; for example, ED5470 x M61.

Please note, in accordance with Corbin Russwin's standard limited warranty, any attempt to retrofit the ED50AK to a surface vertical rod exit device will void the warranties for these products.

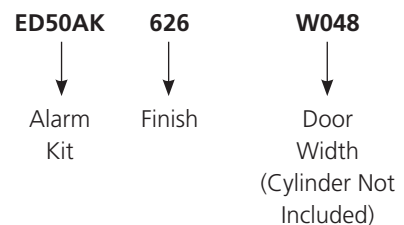
Surface vertical rod exit devices with alarm kit cannot be ordered with M91, M92 or M93.

HOW TO ORDER

Ordering example for Exit Device



Ordering Example for Alarm Kit Only



NOTE: Dogging not available with M61 option and ED50AK alarm kit.

Electrified Exit Devices

MORTISE DEVICE TRIM CONTROL

Safe or Secure

- Mortise device trim control provides a remote means of locking and unlocking the outside lever trim. This feature is provided by continuous duty solenoids in the device mortise lock.

Application

- Mortise exit devices with lever trim.

Listings

- UL listed for both Panic and Fire Exit Hardware.

Electrical Specifications

- 24VDC 330 milliamperes
- Fail Safe units maintain the door locked as long as the device is energized.
- Fail Secure units maintain the door unlocked as long as the device is energized.
- Regulated 24VDC power supply required.

Note: SAF & SEC options are only available with ED5600L and ED5600(A)L version lock body functions and may not be combined with either the M91 or M93 monitoring options.

How to Order

- Specify Quick Code "SAF" for Safe or "SEC" for Secure.

Electrified Exit Devices

ELECTRICALLY CONTROLLED HEAVY-DUTY TRIM

Electrically controlled trim provides electric locking and unlocking of the 900 Series heavy-duty lever trim. It easily retrofits into existing applications and is ideal for door control.

Advantages

- Available in Fail Safe or Fail Secure operation
- Features EcoFlex®
- Operates from 12-24 VDC
- Internal rectifier accepts AC or DC voltage
- Key override (specify cylinder)
- Plug connector with 4' wire lead (Exit device can be used as the wire raceway)
- Utilize Mortise Cylinder with A02 cam
- M99 Trim Gasket for exterior applications included

Applications

- ED5200(A) Rim
- ED5200S(A) SecureBolt®
- ED5400(A) Surface Vertical Rod
- ED5470(B) Surface Vertical Rod
- ED5800(A) CVR
- ED5860(B) CVR

Trim

Utilizes all 900 series trim lever designs including the Muséo® and Vineyard™ Collections

Electrical Specifications

- Actuator Draw = 400mA inrush / 15mA continuous @12VDC / 24VDC
- Security Monitor Switch (M98): 3A @ 120VAC / 3A @ 30VDC

Door Thickness

- 1-3/4" (44mm) standard.
- Optional: 2" (51mm); specify D200.
- Optional: 2-1/4" (57mm); specify D214.

Options

- M98 – Security Monitor. A SPDT switch that monitors the position of the motor actuator (lock and unlock status).



Cylinder

Cylinder not included unless specified. See Quick Codes, page 54.

How to Order

N9903 626 RHR M98, 6P

Electrically Controlled Heavy-Duty Trim

FUNCTIONS

Fail Safe

The x9903 trim is locked when power is on and unlocked when power is off.

| | Function Description |
|----------------------|--|
| x9903 (Fail Safe) | <ul style="list-style-type: none"> • Lever is locked when power is on • Power off allows entry from trim • Inside device is always active for egress • Mechanical key override (09 Function – Key allows lever to retract latch bolt. Key can only be removed in locked position.) |

Fail Secure

The x9905 trim is locked when power is off and unlocked when power is on.

| | Function Description |
|------------------------|---|
| x9905 (Fail Secure) | <ul style="list-style-type: none"> • Lever is locked when power is off • Power on allows lever activation for entry • Inside device is always active for egress • Mechanical key override (09 Function – Key allows lever to retract latch bolt. Key can only be removed in locked position.) |

x = Lever trim design - Standard, Vineyard™ and Muséo®

Electrified Exit Devices

EPTL

Concealed power transfer for over 120° swing doors. Installs in door and frame edges. Supports wires up to .25" (6mm) thick, and works with doors hung with butt hinges, continuous hinges and pivots. To order, specify Part No. 704F288.



EPTL

MONITORS - M91, M92, M93

Operation

Monitors are used to indicate the authorized and unauthorized use of an opening or to signal and control other opening hardware, such as magnetic locks. Each monitoring device is equipped with one internal single-pole double-throw (SPDT) switch per monitor.

BOLT POSITION MONITORING - M91

Provides indication of the position of the latch bolt. Used with security systems to monitor the latch bolt; also used to activate automatic door operators upon latch retraction.

Application

See chart on page 36.

Listings

UL listed for both Panic and Fire Exit Hardware.

Electrical Specifications

2 Amps @ 28VDC
SPDT contacts

Ordering

Specify Quick Code M91.

TOUCHBAR MONITORING - M92 REQUEST TO EXIT - REX

Provides indication of the pushpad being depressed. Used as a request to exit to shunt alarm systems, release electromagnetic locks or monitor egress.

Application

See chart on page 36.

Listings

UL listed for both Panic and Fire Exit Hardware.

Electrical Specifications

2 Amps @ 28 VDC
SPDT contacts

Ordering

Specify Quick Code M92.

OUTSIDE MONITORING OR SIGNALING - M93

Provides indication of the device being operated from the outside. Used as a request to enter signal switch to shunt alarms; also used to monitor entry.

Application

See chart on page 36.

Listings

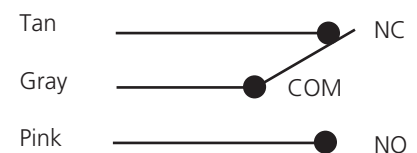
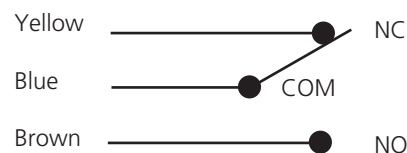
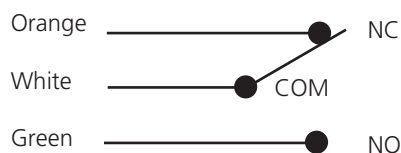
UL listed for both Panic and Fire Exit Hardware.

Electrical Specifications

2 Amps @ 28VDC
SPDT contacts

Ordering

Specify Quick Code M93.



Electrified Options & Accessories

LSP-12-24 POWER SUPPLY

Operation

LifeSafety Power supplies are designed to provide reliable filtered and regulated power for long life to a variety of electrified hardware components. Recommended for the SAF, SEC, MELR, "D" delayed egress exit devices and electric trim.

Features

- Selectable voltage output between 12V and 24V with a single switch
- Internal Back-Up battery charging circuit*
- Regulated and filtered, fuse protected outputs
- Each output can be individually turned on and off via a jumper
- Power status of each output is shown by an LED
- Rugged steel enclosure
- Fire alarm interface included – Dry contacts NO/NC, 9-33VDC, 3-15mA

Electrical Specifications

- Inputs: 120VAC
- Outputs: 12VDC @ 6 Amp or 24VDC @3 Amp – 8 Total Outputs

Listings

- UL294, UL603, UL1076
- ULC S318, ULC S319

Applications

- D – Delayed Egress
- SAF / SEC – Fail Safe / Secure mortise device trim control
- 900ET Series Electrified Trim
- MELR – Motorized Electric Latch Retraction

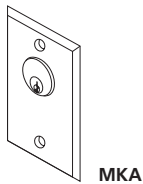
*Note: Batteries are not included with the power supply



| Model | Description |
|-----------|--------------------------------------|
| LSP-12-24 | 12V – 6AMP / 24V – 3AMP Power Supply |

EXIT CONTROLS AND SWITCHES

Key Switches



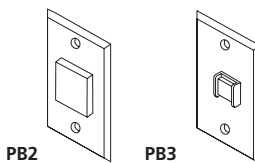
MKA

MKA - (1) SPDT Maintained
 MK - (1) SPDT Momentary
 MKN - (1) SPDT Momentary NS
 MK2 - (1) DPDT Momentary
 MKPZ x MKS - (1) SPDT Momentary with audio Double Gang x Additional Switch
 Note: All key switches come standard with 12/24 VDC bi-color LED.

Specifications

- Keyswitch for operation using a standard 1-1/8" mortise cylinder (A02 cam) (cylinder not included).
- Contact Rating 5 Amps @ 12-24VDC
- SPDT 3-position.

Push Buttons



PB2

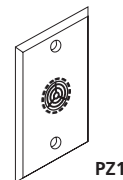
PB3

PB2 - (1) SPDT Momentary
 PB2 - (1) DPST Remote Momentary
 PB3 - (1) DPST Momentary
 PB3A - (1) DPST Maintained (Alt. Action)
 PB3EA - (1) DPST Alternate

Specifications

- 3 Amps @ 12-24 VDC

Audible/Visual Annunciators



PZ1

PZ1 - Sonalert 90db @ 2ft. 12-24VDC. Mounted on one gang stainless steel plate.

Digital Entry

DK-12 - Digital Keypad - 4 User
 DK-26SS - Digital Keypad NS - 59 User - SS Finish
 DK-26BK - Digital Keypad NS - 59 User - Black Finish

Power Transfers

TSB B-C - Door Cord

Electrified Applications

REQUIREMENTS FOR ELECTRICAL AND DATA TRANSFER

To answer the demand for “smart” electronic access control and locking solutions that require fast, easy, and cost-effective installation, ASSA ABLOY Group brands use the ElectroLynx® standardized plug-in connectors and color-coded wiring system.

With *ElectroLynx*, doorway components come pre-wired for easy hookup to the power source. Key to the system is the transfer device hinge that carries power from the frame to the locking hardware.

Features of *ElectroLynx*:

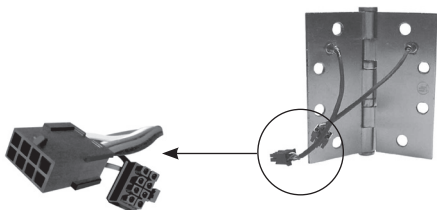
- Makes it easy to bring power to the locking hardware
- Wires have connectors that snap together, like plugging a telephone into a jack

To connect an electrified ED5000 series exit device to the electronic access control system, the following items are required:

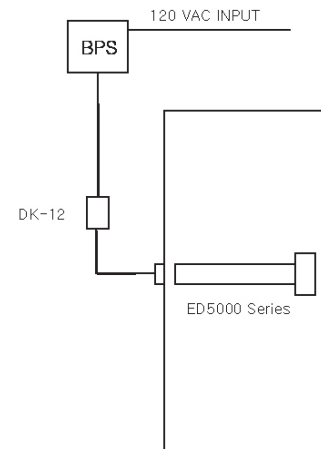
- Electrified ED5000 series exit device
- ASSA ABLOY Door Group pre-wired door, or *ElectroLynx* retrofit cable (order from McKinney)
- Electronic transfer device (*ElectroLynx* electronic transfer hinge or Electrical Power Transfer with standard hinge, from McKinney)
- *ElectroLynx* cable from the hinge to above the ceiling (order from McKinney)

Information regarding cable selection, hinge requirements and order strings can be found in the McKinney Transfer Device Solutions catalog. Consult 800-810-WIRE (9473) with questions on application specifications and requirements.

The McKinney QC8 *ElectroLynx* Hinge is recommended for the 9903 function, the 9905 function and all options with the exception of M61 and M93. The McKinney QC12 *ElectroLynx* Hinge is recommended for the M61 and M93 options.



LATCH PULLBACK - MELR OPTION



Components

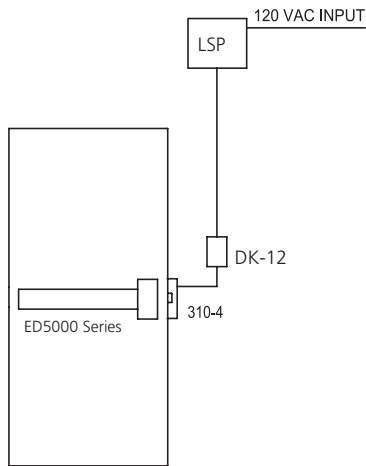
ED5000 Series x MELR Latch Retraction Exit Device - Corbin Russwin
DK-12 Digital Keypad
Power Transfer Hinge

Operation

Operation of DK-12 Digital Keypad will allow keyless entry from the nonprotected side of opening. Free exit using the exit device from the protected side of the door.

Electrified Applications

DEVICE WITH ELECTRIC STRIKE



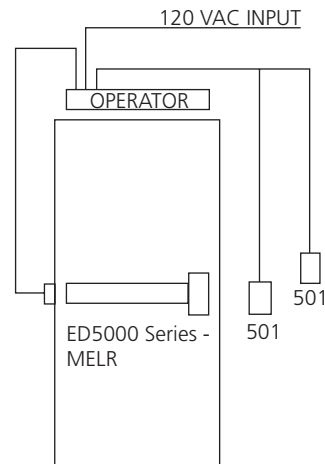
Components

- ED5000 Series Exit Device - Corbin Russwin
- Digital Keypad
- 310-4 Electric Strike
- LSP Power Supply - Corbin Russwin

Operation

Operation of DK-12 Digital Keypad will allow keyless entry from the non-protected side of opening. Free exit using the exit device from the protected side of the door.

LATCH PULLBACK - MELR OPTION WITH NORTON® AUTOMATIC DOOR OPERATOR



Components

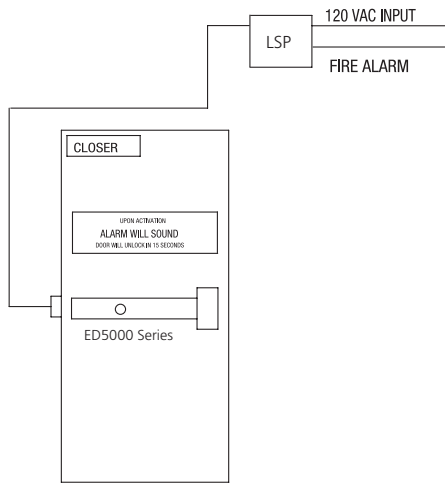
- ED5000 Series x MELR Latch Retraction Exit Device - Corbin Russwin
- Automatic Door Operator - Norton
- 501 Push Switch or 700 Wave to Open Switches - Norton
- Power Transfer Hinge
- Keyswitch - Corbin Russwin

Operation

Activation and operation of Push Pads from either side of door will be controlled by the Maintained Keyswitch. The Push Switches will in turn activate Latch Retraction Exit Device. An internal timer on the 6000 will coordinate and prevent the door from being opened before latch retraction takes place. Standard timers on the 6000 will also provide length of time door is open and latch being retracted. Door operator also acts like standard closer when opened manually.

Electrified Applications

EXIT DEVICE WITH DELAYED EGRESS OPTION ON "EXIT ONLY" DOOR



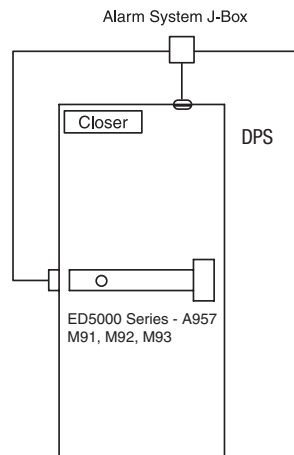
Components

ED5000 Series - Delayed Egress Exit Device - Corbin Russwin
Power Transfer Hinge
LSP Power Supply - Corbin Russwin
Surface Door Closer - Corbin Russwin

Operation

Operation of the ED5000 Series D Exit Device will sound an alarm and activate either a 15- or 30-second alarm sequence inside of the exit device. After this time period, the device will release the push bar, making it active, and egress is possible. When the fire alarm is activated, power to the exit device will be interrupted, allowing free egress and mechanical latching. Authorized alarm bypass and reset is done through the built-in keyswitch located in the exit device.

EXIT DEVICE - HIGH-SECURITY APPLICATION M91, M92 AND M93 MONITORING SWITCH OPTIONS WITH DOOR POSITION SWITCH



Components

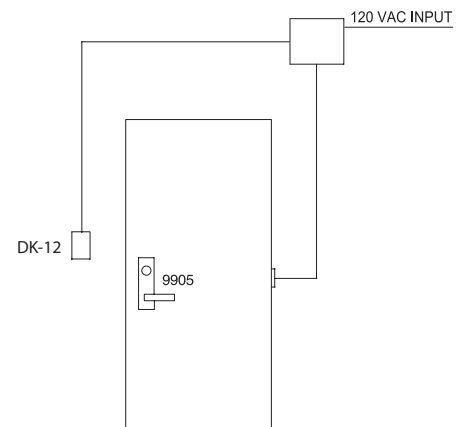
ED5000 Series - A957 Nightlatch Trim - Corbin Russwin
M91 Bolt Monitor Switch
M92 Touchbar Monitor Switch
M93 Trim Monitor Switch
Door Position Switch
Power Transfer Hinge
Surface Door Closer - Corbin Russwin

Operation

Operation of the ED5000 Series Exit Device with the M91, M92, M93 and a door position switch can be used together or individually to sound an alarm, shunt an alarm, monitor the door's security or as a "Request to Exit" in conjunction with a magnetic lock.

ELECTRIC TRIM

EXIT DEVICE WITH ELECTRIFIED TRIM



Components

9905 Electrified Trim - Corbin Russwin
ED5000 Series Exit Device - Corbin Russwin
DK-12 Digital Keypad by Corbin Russwin
Electrified Hinge
LSP-12-24 Power Supply - Corbin Russwin

Operation

Operation of the 917 Digital Keypad will allow keyless entry from the non-protected side of the opening. When a valid code is entered into the keypad, voltage will be applied to the trim, making the lever active and allowing ingress. Free exit is allowed by using the exit device from the protected side of the door.

Mullions and Surface Bolt Kit



Mullions

Used to install two Rim Exit Devices in a double door opening. May be quickly and easily removed when a full double door opening is temporarily required.

Materials and Finish

Steel mullions, 2" x 3" with malleable iron top and bottom retainers; furnished with zinc-plated fasteners for metal frames and concrete floors. May be cut, drilled and tapped in the field for Rim Exit Devices. Mullion and Mullion retainers are prime coat grey paint.

HOW TO ORDER

Removable Mullions

| Door Height | Description | Specify Quick Code |
|-------------|---|-----------------------|
| Up to 7'2" | Steel Mullion - Panic Rated | CR972 |
| Up to 7'2" | Steel Mullion - 3 Hour Fire Rated | CR972A |
| Up to 10'0" | Steel Mullion - 3 Hour Fire Rated ¹ (Only fire rated up to 8') | CR910A ³ |
| Up to 8'0" | Split Mullion Steel - Panic Rated | CR908SM |
| Up to 7'2" | Steel Mullion - 3 Hour Fire Rated, Windstorm Certified | CRFE772A |
| Up to 8'0" | Steel Mullion - 3 Hour Fire Rated, Windstorm Certified | CRFE708A ¹ |

KEY REMOVABLE MULLIONS

| Door Height | Description | Specify Quick Code |
|-------------|--|-------------------------|
| Up to 7'2" | Steel Mullion - 1-1/2 Hour Fire Rated | CR972BKM |
| Up to 10'0" | Steel Mullion - 1-1/2 Hour Fire Rated (Only fire rated up to 8') | CR910BKM ³ |
| Up to 7'2" | Steel Mullion - Panic Rated | CR972KM ² |
| Up to 8'0" | Split Mullion Steel - Panic Rated | CR908KMSM |
| Up to 7'2" | Steel Mullion - 3 Hour Fire Rated, Windstorm Certified | CRWS772AKM |
| Up to 8'0" | Steel Mullion - 3 Hour Fire Rated, Windstorm Certified | CRWS708AKM ² |

Notes:

- For use with UL listed door assemblies that comply to FEMA 361 and FEMA 320 guidelines. For the latest listings on compliant door assemblies visit our website at corbinrusswin.com
- Cylinder and collars not included, specify separately. See page 54.
- For 8' length Mullion must be ordered as 10' length and cut in the field to 8' size

PARTS - KEY REMOVABLE MULLION

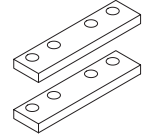
Top Retainer and Screw Packet and Bottom Retainer and Screw Packet

| Mullion Series | Top Retainer and Screw Packet | Bottom Retainer and Screw Packet | Locking Mechanism Packet |
|-----------------------------------|-------------------------------|----------------------------------|--------------------------|
| CR972BKM CR910BKM CR908KMSM | 713F948 | 713F988 | 744F258 |
| CRWS772AKM CRWS708AKM | 713F958 | 713F908 | 744F258 |

OPTIONS

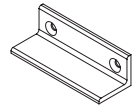
Spacer Block

Recommended for double rabbeted frames where the stop face width is less than the mounting hole spacing and also for door frames 5-3/4" (176mm) or less. To order, specify Part No 744F328.



Angle Bracket

Recommended for any header configuration with less than 3" (76mm) of mounting surface. To order, specify Part No 744F338.



Mullion Stabilizer Kit

Controls the movement of the mullion. Recommended for openings over 7' high, or whenever door movement must be minimized. To order, specify Part No. 653F11-1 x 628 (aluminum).

Surface Bolt Kit

Designed for severe windload (Hurricane Code) environments where surface bolts are required (e.g., on inactive doors). To order separately, for standard 12" specify part no 988CR. Optional sizes available. Specify 988-1 (18") or 988-2 (24") bolt lengths.



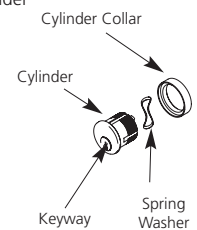
CYLINDER MULLION KIT

| Mullion Cylinder Kit # | Available with the Following Mullion Series: |
|------------------------|--|
| CRMCK1 | CR972KMM |
| | CR972BKM |
| | CR910BKM |
| | CR908KMSM |
| CRMCK2 | CRWS772AKM |
| | CRWS708AKM |

Note: Mullion cylinder kit contains washer, collar and cylinder
 *Specify finishes and cylinder code when ordering
 **See page 56 for cylinder codes

Ex: CRMCK1 x Finish x Cylinder Code
 (i.e. CRMCK1 x 630 x 6P)

Note: Cylinder Mullion Kit contains cylinder, collar and spring washer.



PARTS - REMOVABLE MULLION

Top Retainer and Screw Packet and Bottom Retainer and Screw Packet

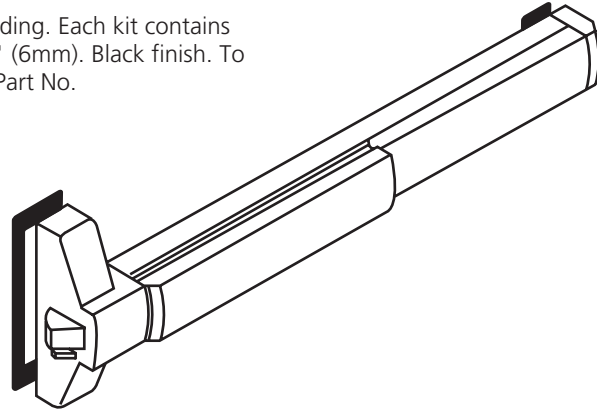
| Mullion Series | Top Retainer and Screw Packet | Bottom Retainer and Screw Packet |
|--------------------------------------|-------------------------------|----------------------------------|
| CR908SM CR972 CR972A CR910A | 713F518 | 713F528 |
| CRFE772A CRFE708A | 713F938 | 713F998 |

Options & Accessories

SHIM KITS

Designed for mounting an exit device over raised vision light molding. Each kit contains two sets of 1/8" thick shims to shim a device 1/8" (3mm) or 1/4" (6mm). Black finish. To order with exit device, specify M58. To order separately, specify Part No.

| Exit Device Type | Shim Kit Part No. |
|------------------|-------------------|
| ED5200 (A) | 697F33-8 |
| ED5200S(A) | |
| ED5600 (A) | |
| ED5800 (A) | |
| ED5860(B) | |
| ED5400 (A) | 697F34-8 |
| ED5470(B) | |



CYLINDER DOGGING

To order Cylinder Dogging with exit device, specify M52. Cylinder not included unless specified. Cylinder dogging not available for fire-rated devices. See Quick Codes, page 54.

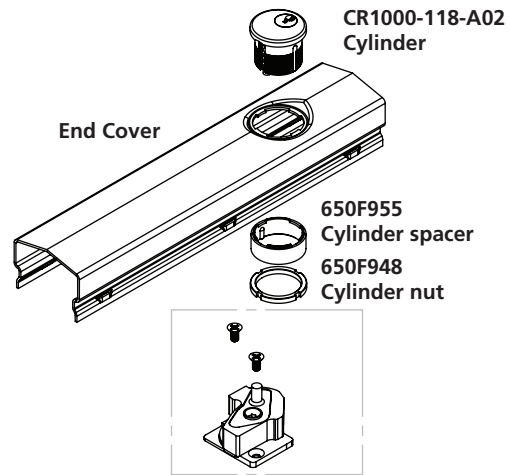
CYLINDER DOGGING KIT

Designed to convert a panic device from hex key dogging to cylinder dogging. To order Cylinder Dogging Kit, specify Part Number x Finish below. Cylinder not included.

SURFACE AND CONCEALED VERTICAL ROD EXTENSION KITS

Used to extend the height of standard length rods supplied with vertical rod exit devices. Available in 2", 6" and 12" sizes. To order with exit device, see Quick Codes, page 54. To order separately, specify Part No. x Finish.

| Rod Extension | Rod Extension Kit Part No. |
|---------------|----------------------------|
| 2" (50mm) | 655F15 x Finish |
| 6" (152mm) | 655F16 x Finish |
| 12" (305mm) | 655F17 x Finish |
| 24" (610mm) | 684F42 x Finish |

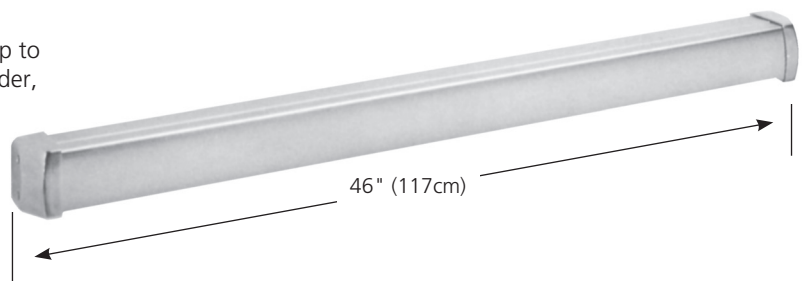


| Bar Length | Cylinder Dogging Kit Part No. |
|---------------|-------------------------------|
| Standard W036 | 653F12M x FIN |
| W048 | 865F14M x FIN |

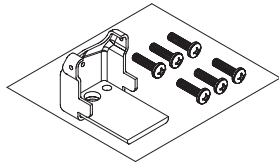
Note: Cylinder dogging not available for fire-rated devices.

ED5000DB INACTIVE BAR

Non-operating dummy pushpad available for doors up to 48" wide. May be field cut for narrower doors. To order, specify ED5000DB x Finish.

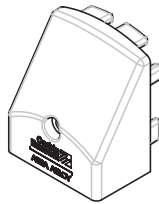


Options & Accessories



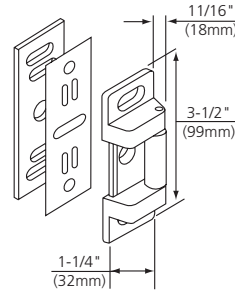
End Cap Reinforcement**

A solid steel plate, welded to the end bracket, evenly distributes impact forces over a larger surface area, eliminating point loading. To order with an exit device, specify M109. To order separately specify 705F09 x finish.



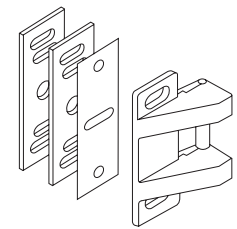
Flush End Cap

Durable heavy-duty cast steel or stainless steel, sits flush on the exit device rail and has a low profile which eliminates catch points. To order with a device, specify M110. To order separately specify 710F00M x finish.



SecureBolt® and Fire-Rated Rim Strike and Rim Strike

ED5200S, ED5200SA and ED5200(A) devices. Supplied with locking plate and two 1/16" (1.6mm) shims. For doors with 1/2" (13mm) or 5/8" (16mm) stop. Adjustable to compensate for shrinkage and swelling of door. 3-1/2" x 1-1/4" (89mm x 32mm). Black finish only. To order separately specify 650F30-8 ED5200(A) or 730F77-8 ED5200S(A).

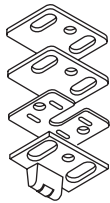


Rim x Vertical Rod Strike

Required for ED5200 and ED5200S devices when used on pair of doors with vertical rod devices. Black finish only. To order with device, specify S02. To order separately, specify 655F71-8.

SURFACE AND CONCEALED VERTICAL ROD STRIKES

(Screws Included)



Top Strike

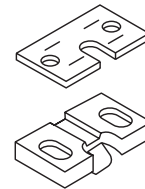
Standard on ED5400(A) and ED5800(A) devices. Supplied with two 1/16" (1.6mm) shims and one 1/16" (1.6mm) locking plate. Adjustable to compensate for shrinkage and swelling of door. 1-9/16" x 15/16" (40mm x 24mm). Black finish only. To order separately, specify 650F54-8.



Bottom Strike

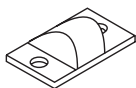
Standard on ED5400(A) and ED5800(A) devices. 1-1/16" (27mm) diameter x 1/16" (1.6mm) lip x 11/16" (17mm) high. Black finish only.

Both top and bottom strikes are included in the vertical rod parts packet. To order parts packet, specify 650F57-8.



Top Strike

Standard for ED5470 and ED5470B devices. Supplied with one 1/16" (27mm) shim. Adjustable to compensate for shrinkage and swelling of door. 2" x 1" (51mm x 25mm). Black finish only. Top strike is included in SVR parts packet. To order parts packet, specify 654F158 (M55) or 697F978. To order strike separately, specify 681F70-8.



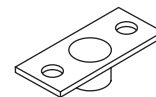
Top Strike

Standard for ED5860 and ED5860B devices. Recessed strike. 2" x 1-5/8" (51mm x 41mm). Black finish only. Top strike is included in CVR parts packet. To order parts packet, specify 698F058 or 698F048 (M55). To order separately, specify 681F77-8.



Flush Transom Top Strike Bracket

Optional for use with ED5400 and ED5400A devices. Used to mount top strike on openings with flush transom. 2-1/2" x 1-5/8" (64mm x 41mm). Black finish only. To order with exit device, specify M67. To order separately, specify 650F87-8.



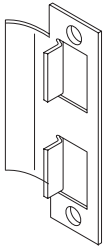
Bottom Strike for 1/2" Thresholds

Recommended for use with vertical rod devices. Required in fire-rated openings with 1/2" (13mm) threshold or for flush mount. 2-5/8" x 1-1/16" (67mm x 27mm). Black finish only. To order with exit device, specify S09. To order separately, specify 650F88-8.

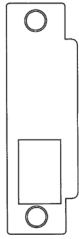
**Note: Six 1/4 x 20 screws come standard with either M109 option or 705F09 kit. Only two screws required to fasten end cap assembly to door for retrofit. Other four screws are used with SecureBolt® Latch Head if ordered as an M109 option with complete device. When the kit is ordered a new end cap is also supplied.

Options & Accessories

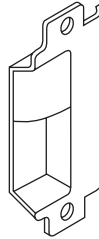
MORTISE STRIKES



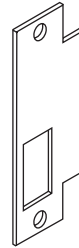
Mortise Strike
Standard on ED5600 and ED5600A. Non-handed, ANSI curved lip, 4-7/8" x 1-1/4" x 1-1/4" (124mm x 32mm x 32mm) lip to center. Black finish. To order separately, specify 650L657020.



Mortise Strike for Pairs of Doors with Astragal
Optional for use with ED5600 and ED5600A devices where an astragal is to be installed. Non-handed, ANSI straight lip, 4-7/8" x 1-1/4" x 7/8" (124mm x 32mm x 22mm) lip to center. Black finish. To order with exit device, specify SS078. To order separately, specify 653L157014.



Open Back Strike
Optional for use with ED5600 x vertical rod devices on a pair of doors. Non-handed, 4-7/8" x 1-1/4" (124mm x 32mm). Black finish. To order with exit device, specify SB134 for 1-3/4" doors, SB214 for 2-1/4" doors. To order separately, specify Part No.



Mortise Strike
Standard on ED5600 and ED5600A devices on 2" (51mm) (D200) and 2-1/4" (57mm) (D214) thick doors. Handed ANSI curved lip, 4-7/8" x 1-1/4" x 1-1/2" (124mm x 32mm x 38mm) lip to center. Black finish. To order separately, specify 656L677024 for LHR doors, 656L687024 for RHR doors.



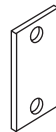
ANSI Wrought Strike Box
Optional for use with ED5600 and ED5600A devices. To order with exit device, specify M17. To order separately, specify 120F76-8.

| Door Thickness | Type | Part No. |
|----------------|--------------|------------|
| 1-3/4" (44mm) | Curved lip | 653L183016 |
| | Straight lip | 653L163016 |
| 2-1/4" (57mm) | Curved lip | 653L183020 |
| | Straight lip | 653L163020 |

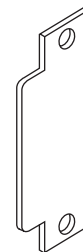
FILLER PLATES



Optional for use on stock metal doors when required. To order, specify 334F99-8 600.



Optional for use on stock metal doors when required. To order, specify 077F19-8 600.

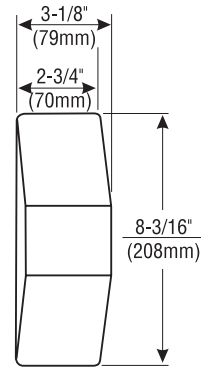


Optional for use on stock metal doors when required. To order, specify 236L708018 x Fin.

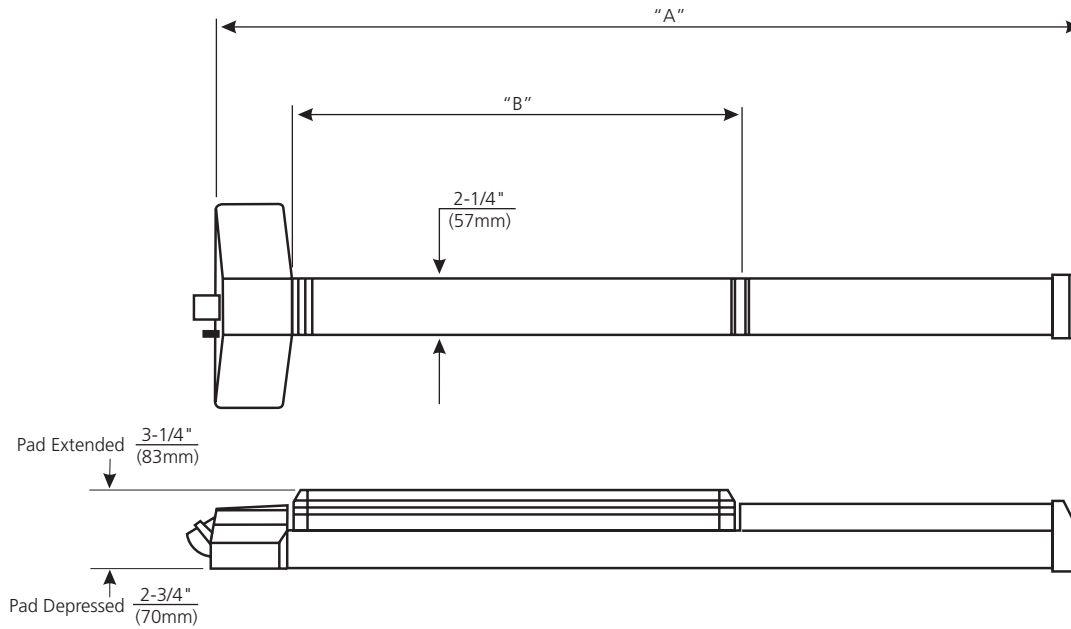
Facts & Figures

ED5000 SERIES (ALL VARIABLES)

| Series | "A" | "B" |
|----------------|---------------------|----------------|
| ED5000 | 32-7/8" (835mm) | 18" (457mm) |
| ED5000A x W048 | 44-7/8" (1140mm) | 24" (610mm) |
| ED5000A x W024 | 20-7/8" (530mm) | 12" (305mm) |

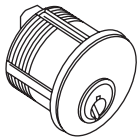


Cover Detail



Cylinders

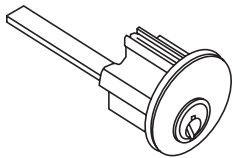
CR700 Series KRM* & Cylinder Dogging, Delayed Egress, and Alarm Mortise cylinders



| Description | Part Number | Delayed Egress, Alarm, Cylinder Dogging Collars | Key Removable Mullions* | |
|---------------------------------|------------------|---|-------------------------|-----------------|
| | | | Part Number | Cylinder Collar |
| 6-pin | CR1000-118-A02 | N/A | CR1000-118-A02 | None Required |
| 7-pin | CR1000-114-A02-7 | 270F15 | CR1000-114-A02-7 | None Required |
| 6-pin SFIC | CR1050-114-A02 | 270F15 | None Required | None Required |
| 7-pin SFIC | CR1050-112-A02-7 | 654F07 | None Required | None Required |
| 6-pin, SFIC, less core | CR1040-114-A02 | 270F15 | None Required | None Required |
| 7-pin, SFIC, less core | CR1040-112-A02-7 | 654F07 | None Required | None Required |
| 6-pin, LFIC | CR1080-114-A02 | 270F15 | CR1080-114-A02 | None Required |
| 7-pin, LFIC | CR1080-112-A02-7 | 654F07 | CR1080-112-A02-7 | 447F42 |
| 6-pin, LFIC, less core | CR1070-114-A02 | 270F15 | CR1070-114-A02 | None Required |
| 7-pin, LFIC, less core | CR1070-112-A02-7 | 654F07 | CR1070-112-A02-7 | 447F42 |
| 6-pin, Security | CR1010-118-A02 | N/A | CR1010-118-A02 | None Required |
| 6-pin, Security IC | CR1090-114-A02 | 270F15 | CR1090-114-A02 | None Required |
| 7-pin, Pyramid Security | CR1027-114-A02 | 270F15 | CR1027-114-A02 | None Required |
| 7-pin, Pyramid Security IC | CR1037-114-A02 | 270F15 | CR1037-114-A02 | None Required |
| 7-pin, Pyramid High Security | CR1020-114-A02 | 270F15 | CR1020-114-A02 | None Required |
| 7-pin, Pyramid IC High Security | CR1030-114-A02 | 270F15 | CR1030-114-A02 | None Required |

*The 700 series key removable mullion was discontinued on January 1, 2010. The cylinders and cylinder rings are listed for reference only.

CR900 Series Trim Rim cylinders

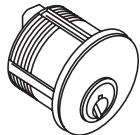


| Description | Part Number | Cylinder Collar | 57 Function Part Number | Cylinder Collar** |
|-------------------------|--------------|-----------------|-------------------------|-------------------|
| 6-pin | CR3000-058 | None Required | CR3000-200N* | None Required |
| 7-pin | CR3000-058-7 | 686F98 | CR3000-200-7 | 422F88 |
| 6-pin SFIC | CR3050-058 | 422F88 | None Required | None Required |
| 7-pin SFIC | CR3050-058-7 | 686F98 | None Required | None Required |
| 6-pin, SFIC, less core | CR3040-058 | 422F88 | None Required | None Required |
| 7-pin, SFIC, less core | CR3040-058-7 | 686F98 | None Required | None Required |
| 6-pin, LFIC | CR3080-058 | 422F88 | CR3080-178 | 422F88 |
| 7-pin, LFIC | CR3080-058-7 | 686F98 | CR3080-178-7 | 686F98 |
| 6-pin, LFIC, less core | CR3070-058 | 422F88 | CR3070-178 | 422F88 |
| 7-pin, LFIC, less core | CR3070-058-7 | 686F98 | CR3070-178-7 | 686F98 |
| 6-pin, Security | CR3010-058 | None Required | CR3010-200 | 422F88 |
| 6-pin, Security IC | CR3090-058 | 422F88 | CR3090-178 | 422F88 |
| 7-pin, Pyramid | CR3020-058 | 422F88 | CR3020-200N | 422F88 |
| 7-pin, Pyramid IC | CR3030-058 | 422F88 | CR3030-178 | 422F88 |
| 7-pin, Pyramid Security | CR3027-058 | 422F88 | CR3027-200N | 422F88 |
| 7-pin, Pyramid Security | CR3037-058 | 422F88 | CR3037-178 | 422F88 |

*For K157, substitute -200

**K157 uses the 270F15 cylinder ring

CR900 Series KRM Mortise cylinders



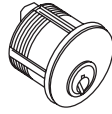
CR900 Series KRM
Mortise cylinders

| Description | Part Number | Quick Code | 900 Series Cylinder Collar | | | WS700 Series Cylinder Collar | | |
|---------------------------------|------------------|------------|----------------------------|---------------------|-----------|------------------------------|---------------------|-----------|
| | | | 1-1/8" | 1-1/4" or 1-1/4" IC | 1-1/2" IC | 1-1/8" | 1-1/4" or 1-1/4" IC | 1-1/2" IC |
| 6-Pin | CR1000-118-A62 | 6P | | | | | | |
| 7-Pin | CR1000-114-A62-7 | 7P | | | | | | |
| 6-Pin SFIC | CR1050-114-A62 | C6S | | | | | | |
| 7-Pin SFIC | CR1050-112-A62-7 | C7S | | | | | | |
| 6-pin, SFIC, less core | CR1040-114-A62 | SFIC | | | | | | |
| 7-pin, SFIC, less core | CR1040-138-A62-7 | SFIC | | | | | | |
| 6-Pin, LFIC | CR1080-114-A62 | C6 | | | | | | |
| 7-Pin, LFIC | CR1080-112-A62-7 | C7 | | | | | | |
| 6-pin, LFIC, less core | CR1070-114-A62 | CL6 | 610F01* | 447F43* | 609F37* | 447F42* | 610F01* | 609F36* |
| 7-pin, LFIC, less core | CR1070-112-A62-7 | CL7 | | | | | | |
| 7-pin, Pyramid High Security | CR1020-114-A62 | PHS | | | | | | |
| 7-pin, Pyramid Security | CR1027-114-A62 | PS | | | | | | |
| 7-pin, Pyramid High Security IC | CR1030-114-A62 | PCHS | | | | | | |
| 7-pin, Pyramid Security IC | CR1037-114-A62 | PCS | | | | | | |
| Security | CR1010-118-A62 | HS | | | | | | |
| Security IC | CR1090-114-A62 | CHS | | | | | | |

*Specify Finish

Cylinders

CR900 Series Mortise Trim Mortise cylinders



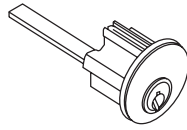
| Description | Part Number | Cylinder Collar |
|---------------------------------|------------------|-----------------|
| 6-pin | CR1000-134-A02 | 598F89 |
| 7-pin | CR1000-134-A02-7 | 598F89 |
| 6-pin, SFIC | CR1050-134-A02 | 598F89 |
| 7-pin, SFIC | CR1050-134-A02-7 | 598F89 |
| 6-pin, SFIC, less core | CR1040-134-A06 | 598F89 |
| 7-pin, SFIC, less core | CR1040-134-A02-7 | 598F89 |
| 6-pin, LFIC | CR1080-134-A02 | 598F89 |
| 7-pin, LFIC | CR1080-134-A02-7 | 598F89 |
| 6-pin, LFIC, less core | CR1070-134-A02 | 598F89 |
| 7-pin, LFIC, less core | CR1070-134-A02-7 | 598F89 |
| 6-pin, Security | CR1010-134-A02 | 598F89 |
| 6-pin, Security IC | CR1090-134-A02 | 598F89 |
| 7-pin, Pyramid IC High Security | CR1030-134-A02 | 598F89 |
| 7-pin, Pyramid Security IC | CR1037-134-A02 | 598F89 |

900 Series EcoFlex® Trim Mortise cylinders

Cylinder: CR1050-138-A02

| Description | Part Number | Cylinder Collar |
|---------------------------------|------------------|-----------------|
| 6-pin | CR1000-118-A02 | N/A |
| 7-pin | CR1000-114-A02-7 | 422F88 |
| 6-pin, IC | CR1080-114-A02 | 422F88 |
| 6-pin, SFIC | CR1050-114-A02 | 422F88 |
| 7-pin, IC | CR1080-112-A02-7 | 686F98 |
| 7-pin, SFIC | CR1050-138-A02-7 | 422F88 |
| 6-pin, IC, less core | CR1070-114-A02 | 422F88 |
| 6-pin, SFIC, less core | CR1040-114-A02 | 422F88 |
| 7-pin, IC, less core | CR1070-112-A02-7 | 686F98 |
| 7-pin, SFIC, less core | CR1040-138-A02-7 | 422F88 |
| 6-pin, Security | CR1010-118-A02 | 422F88 |
| 6-pin, Security IC | CR1090-114-A02 | 422F88 |
| 7-pin, Pyramid Security | CR1027-114-A02 | 422F88 |
| 7-pin Pyramid Security IC | CR1037-114-A02 | 422F88 |
| 7-pin, Pyramid High Security | CR1020-114-A02 | 422F88 |
| 7-pin, Pyramid IC High Security | CR1030-114-A02 | 422F88 |

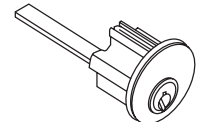
Inside Cylinder For ED5602 Double Cylinder Exit Device Rim cylinders



ED5602 Double Cylinder Exit Device
Rim cylinders

| Description | Part Number | Cylinder Collar |
|-------------------------|--------------|-----------------|
| 6-pin | CR3000-200 | 270F15 |
| 7-pin | CR3000-200-7 | 654F07 |
| 6-pin, IC | CR3080-178 | 654F07 |
| 7-pin, IC | CR3080-178-7 | 654F08 |
| 6-pin, IC, less core | CR3070-178 | 654F07 |
| 7-pin, IC, less core | CR3070-178-7 | 654F08 |
| 6-pin, Security | CR3010-200 | 654F07 |
| 6-pin, Security IC | CR3090-178 | 654F07 |
| 7-pin, Pyramid | CR3020-200 | 654F07 |
| 7-pin, Pyramid IC | CR3030-178 | 654F07 |
| 7-pin, Pyramid Security | CR3027-200 | 654F07 |
| 7-pin, Pyramid Security | CR3037-178 | 654F07 |

ED5202 Double Cylinder Exit Device Rim cylinders

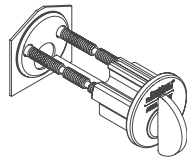


ED5202 Double Cylinder Exit Device
Rim cylinders

| Description | Part Number | Cylinder Collar |
|-------------------------|--------------|-----------------|
| 6-pin | CR3000-138 | 270F15 |
| 7-pin | CR3000-138-7 | 654F07 |
| 6-pin, IC | CR3080-114 | 654F07 |
| 7-pin, IC | CR3080-114-7 | 654F08 |
| 6-pin, IC, less core | CR3070-114 | 654F07 |
| 7-pin, IC, less core | CR3070-114-7 | 654F08 |
| 6-pin, Security | CR3010-138 | 654F07 |
| 6-pin, Security IC | CR3090-114 | 654F07 |
| 7-pin, Pyramid | CR3020-138 | 654F07 |
| 7-pin, Pyramid IC | CR3030-114 | 654F07 |
| 7-pin, Pyramid Security | CR3027-138 | 654F07 |
| 7-pin, Pyramid Security | CR3037-114 | 654F07 |

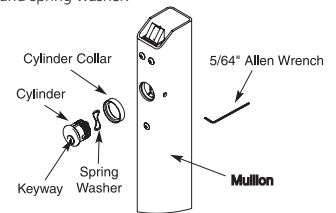
Note: Cylinder collar packets contain a collar and spring washer.
*Specify finish when ordering packets.

Rim Thumbturn



| Description | Part Number |
|------------------------------------|----------------|
| Rim Thumbturn - 1-3/8" | CR3300 -138 |
| Rim Thumbturn - 1-3/8" - Ergonomic | CR3300-138-M34 |
| Rim Thumbturn - 2" | CR3300-200 |
| Rim Thumbturn - 2" - Ergonomic | CR3300-200-M34 |

CR900 Series KRM Cylinder Collar Packet



| Mullion Series | Cylinder Length and Type | | | |
|-------------------------------------|--------------------------|---------|-----------|-----------|
| | 1-1/8" | 1-1/4" | 1-1/4" IC | 1-1/2" IC |
| CRWS772AKM CRWS708AKM | 447F42* | 610F01* | | 609F36* |
| CR972BKBM CR910BKBM CR908KMSM | 610F01* | 447F43* | | 609F37* |

Quick Codes

CYLINDER AND KEYING

| Description | Specify |
|---|-----------------|
| Conventional 6-pin | 6P |
| Conventional 7-pin | 7P |
| LFIC | |
| LFIC 6-pin | C6 |
| LFIC 6-pin less core | CL6 |
| LFIC 6-pin with temporary construction core (Red) | CT6R |
| LFIC 6-pin with temporary construction core (Blue) | CT6B |
| LFIC 6-pin with temporary construction core (Green) | CT6G |
| LFIC 6-pin with temporary disposable core | CT6D |
| LFIC 7-pin | C7* |
| LFIC 7-pin less core | CL7* |
| LFIC 7-pin with temporary construction core (Red) | CT7R* |
| LFIC 7-pin with temporary construction core (Blue) | CT7B* |
| LFIC 7-pin with temporary construction core (Green) | CT7G* |
| LFIC 7-pin with temporary disposable core | CT7D* |
| SFIC | |
| SFIC 6-pin | C6S |
| SFIC 6-pin with temporary construction core (Blue) | CT6SB |
| SFIC 6-pin with Less Core | CLS6 |
| SFIC 6-pin with SFIC disposable temporary core | CT6SD |
| SFIC 7-pin | C7S |
| SFIC 7-pin with temporary construction core (Blue) | CT7SB |
| SFIC 7-pin with Less Core | CLS7** |
| SFIC 7-pin with SFIC disposable temporary core | CT7SD* |
| Security | |
| Security | HS |
| Security IC | CHS |
| Access 3® | |
| Access 3® - Patented | AP |
| Access 3® - Security | AS |
| Access 3® - High Security | AHS |
| Access 3® IC - Patented | ACP |
| Access 3® IC - Security | ACS |
| Access 3® IC - High Security | ACHS |
| Pyramid | |
| Pyramid Security fixed core | PS |
| Pyramid Security IC | PCS |
| Pyramid High Security fixed core | PHS |
| Pyramid High Security IC | PCHS |
| Pyramid IC with temporary construction core | CTP |
| Pyramid IC with temporary disposable core | CTPD |
| Pyramid IC less core | CLP |
| Keying and Keys | |
| 0-bitted with 2 blank keys | (standard) |
| Keyed random | KR |
| Construction master keyed | CMK |
| 2 keys per lock | (standard) |
| More than 2 keys | KY# (e.g., KY6) |
| Visual key control (VKC) | |
| No keying data stamped on key or cylinder | VKC0 |
| Keys only | VKC1 |
| Cylinders and keys (not for HS, CHS, PHS or PCHS) | VKC2 |
| Cylinders only (not for HS, CHS, PHS or PCHS) | VKC3 |
| Concealed key control (CKC) | |
| CKC cylinders with VKC keys | CKC2 |
| CKC cylinders only (not for HS, CHS, PHS or PCHS) | CKC3 |

*Not available with Rim or SVR lever trim - Classroom Function

**Not available with 55 function

STRIKES

| Description | Specify |
|--|---------|
| Rim x vertical rod on pairs of doors | S02 |
| Surface and concealed vertical rod Bottom strike for 1/2" thresholds or flush mount | S09 |
| Mortise ANSI strike for pairs of doors with astragal | SS078 |
| Open back strike for 1-3/4" doors | SB134 |
| Open back strike for 2-1/4" doors | SB214 |

DOOR HEIGHT

| Door Height | Specify |
|--|------------|
| ED5400(A) and ED5470(B) devices | |
| 7'0" | (standard) |
| 7'2" | H0702 |
| 7'6" | H0706 |
| 8'0" | H0800 |
| ED5800(A) devices | |
| 8'0" | (standard) |
| ED5470(B), ED5860(B) devices only | |
| 9'0" | H0900 |
| 10'0" | H1000 |

DOOR WIDTH

| Door Width | Specify |
|--------------|------------|
| 24" (610mm) | W024 |
| 36" (914mm) | (standard) |
| 48" (1219mm) | W048 |

DOOR THICKNESS

| Door | Specify |
|---------------|------------|
| 1-3/4" (44mm) | (standard) |
| 2" (51mm) | D200 |
| 2-1/4" (57mm) | D214 |

Quick Codes

FINISH

| Description | Specify |
|--|------------------------------|
| US3 Bright Brass | 605 |
| US4 Satin Brass | 606 |
| US9 Bright Bronze | 611 |
| US10 Satin Bronze | 612 |
| US10B Dark Oxidized Satin Bronze, oil rubbed | 613 |
| 10BE Dark Oxidized Satin Bronze Equivalent | 613E |
| US14 Bright Nickel Plated | 618 |
| US15 Satin Nickel Plated | 619 |
| US26 Bright Chromium Plated | 625 |
| US26D Satin Chromium Plated | 626 ¹ (Trim only) |
| Satin Chromium Plated with MicroShield® | 626C ² |
| US32 Bright Stainless Steel | 629 |
| US32D Stain Stainless Steel | 630 |
| Stain Stainless Steel with MicroShield® | 630C ² |
| — Black oxidized bronze, oil rubbed | 722 |
| — Black Suede Powder Coat | BSP |
| — White Suede Powder Coat | WSP |

1. Contact factory for devices required in BHMA 626
 2. Finish available with MicroShield® antimicrobial coating.

LOCK/CYLINDER FINISH

| Lock | Cylinder/Core* |
|---------------------------------------|----------------|
| 605,606,611,612,613,613E,722 | 606 |
| 618,619,625,626,626C,629,630,630C,WSP | 626 |
| BSP | BSP |

*Finish when cylinder provided with lock

HANDING

| Hand | Specify |
|--------------------|---------|
| Right Hand Reverse | RHR |
| Left Hand Reverse | LHR |

MISCELLANEOUS OPTIONS

| Description | Specify |
|---|--------------------|
| Torx® head screws | M04 |
| ANSI wrought strike box (mortise) | M17 |
| Knurling outside and inside (embossed touchbar - device side) ¹ | M20 ⁷ |
| Knurling outside only (trim side) ¹ | M21 ^{7,8} |
| Knurling inside only (embossed touchbar - device side) | M22 ⁷ |
| Abrasive coat outside and inside (trim and device) | M23 |
| Abrasive coat inside only (device side) | M24 |
| Abrasive coat outside only (trim side) | M25 |
| 24", 36" and 48" PathLite™ Photoluminescent Touchbar Cover | M49 |
| Less dogging | M51 |
| Cylinder dogging | M52 |
| Sex nuts and bolts (SNBs) | M54 |
| Less bottom vertical rod (ED5470(B)/ED5860(B) Only) | M55 |
| Narrow Stile Cover | M56 |
| Shim kit (for vision light) | M58 |
| Parabolic escutcheon | M60 |
| Wood screws for use on fire-rated solid wood or wood core doors | M64 |
| Flush transom top strike bracket (ED5400 and ED5400A only) | M67 |
| Schlage cam and HSG assembly ⁶ | M69 |
| Windstorm Certified products for ED5200S(A) and ED5470(B) Only ^{2,3,4,5} | M107 |
| High Impact End Clamp | M109 |
| Flush End Cap | M110 |
| 5LB pressure release (ED5200 only) | 5CH ⁹ |

Notes:

- Not available with VT9, VTL9, VT9M and VTL9M trim.
- ED5200S(A) x M107 requires through bolts.
- ED5470(B) maximum opening height is 8'0".
- Contact Ceco, Curries® or Fleming for detailed frame/door requirements and limitations.
- M69 available for 955 and 959 trim only.
- All levers provided in a powder coat finish will be supplied with an abrasive coating.
- Not available on museo and vineyard levers
- 5CH is not compatible with the MELR option

Quick Codes

KEY REMOVABLE MULLIONS

| Description | Specify |
|--|-------------------------|
| Up to 7'2" Steel Mullion - 1-1/2 Hour Fire Rated | CR972BKM ¹ |
| Up to 10'0" Steel Mullion - 1-1/2 Hour Fire Rated (Only fire rated up to 8') | CR910BKM ¹ |
| Up to 7'2" Steel Mullion - 3 Hour Fire Rated, Windstorm Certified | CRWS772AKM ¹ |
| Up to 8'0" Steel Mullion - 3 Hour Fire Rated, Windstorm Certified | CRWS708AKM ¹ |
| Up to 8'0", Split Mullion Steel - Panic Rated | CR908KMSM |

Note:

1. For use with UL listed door assemblies that comply to FEMA 361 and FEMA 320 guidelines. For the latest listings on compliant door assemblies visit our website at corbinrusswin.com

REMOVABLE MULLIONS

| Description | Specify |
|--|-----------------------|
| Up to 7'2" Steel Mullion - Panic Rated | CR972 |
| Up to 7'2" Steel Mullion - 3 Hour Fire Rated | CR972A |
| Up to 10'0" Steel Mullion - 3 Hour Fire Rated (Only fire rated up to 8') | CR910A |
| Up to 7'2" Steel Mullion - 3 Hour Fire Rated, Windstorm Certified | CRFE772A |
| Up to 8'0" Steel Mullion - 3 Hour Fire Rated, Windstorm Certified | CRFE708A ¹ |
| Up to 8'0", Split Mullion Steel - Panic Rated | CR908SM |

Note:

1. Cylinder and collars not included, specify separately. See page 54.

ELECTRIFIED OPTIONS FOR EXIT DEVICES

| Description | Specify |
|--|------------------|
| Motorized Electric Latch Retraction | MELR |
| Exit Alarm Device (cylinder not included) | M61 |
| Bolt Position Monitoring | M91 |
| Request to Exit/Touchbar Monitoring or Signaling | M92 |
| Outside Trim Monitoring or Signaling | M93 |
| Mortise Device Lock with Outside Trim Control (Fail Safe) | SAF* |
| Mortise Device Lock with Outside Trim Control (Fail Secure) | SEC* |
| Delayed Egress (15 second delay standard) | D |
| 30 second delay (may be accepted by local jurisdiction) (with "D" option only) | M88 |
| BOCA 15-second delay (with "D" option only) | M89 |
| BOCA 30-second delay (with "D" option only) | M90 |
| Security Monitor | M98 [^] |
| Trim Gasket | M99 |

*Only available with ED5600L and 5600(A)L

[^]9903/9905 trims only.

ELECTRIFIED ACCESSORIES

| Description | Part Number |
|--|-------------|
| Power Supply 3A@24VDC 6A@12VDC output | LSP12-24 |
| SPDT Maintained Switch | MKA |
| SPDT Momentary Switch | MK |
| SPDT Momentary NS Switch | MKN |
| DPDT Momentary Switch | MK2 |
| DPST Maintained (Al. Action) Switch | PB3EA |
| Sonalert 90lbs. @ 2 ft. 12-24VDC mounted on one gang stainless steel plate | PZ1 |
| Alarm Kit (cylinder is not included)* | ED50AK |
| Concealed transfer for over 120° swing doors | EPTL |

How to Order

ORDERING EXAMPLES

Exit Device Only*

| Quantity | Series/ Function | Finish | Hand | Misc. Options |
|----------|---------------------|--------|------|------------------|
| 65 | ED5200S | 626 | RHR | M51 |

*To order mortise exit device only, see Mortise Exit Only below.

Trim Only

| Quantity | Trim/ Function | Finish | Hand | Door Thickness |
|----------|-------------------|--------|------|-------------------|
| 24 | N955ET | 625 | RHR | D214 |

Exit Device with Trim

| Quantity | Exit Device | Trim/ Function | Finish | Hand | Door Thickness | Optional Strike | Door Width | Misc. Options |
|----------|-------------|-------------------|--------|------|-------------------|--------------------|------------|---------------|
| 65 | ED5600L | N9M55ET | 605 | LHR | D214 | SB214 | W048 | M51-M54 |

Contract/Detailed Order – Surface Vertical Rod Exit Device with Trim

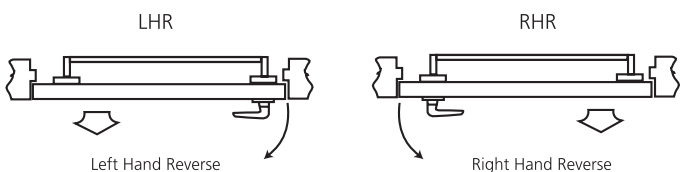
| Quantity | Exit Device | Trim/ Function | Finish | Hand | Door Height | Door Width | Misc. Options | Cylinder Option | Keyset |
|----------|-------------|-------------------|--------|------|----------------|------------|------------------|--------------------|--------|
| 36 | ED5470 | C955ET | 626 | LHR | H1000 | W048 | M52-M54 | 7P | AA1 |

Mortise Exit Only

| Trim Type | Functions | Panic | Fire |
|---------------------|--|---------|----------|
| Lever or Flat Plate | Passage | ED5600L | ED5600AL |
| | Classroom | | |
| | Double Cylinder (Classroom function lever Trim only) | ED5602L | ED5602AL |
| Thumbpiece | Nightlatch | ED5657L | ED5657AL |
| | Dummy | ED5600T | ED5600AT |
| | Passage | | |
| | Classroom | ED5657T | ED5657AT |
| Nightlatch | | | |
| Dummy | | | |

Removable Mullion

| Quantity | Mullion | Misc. Options |
|----------|---------|---------------|
| 6 | CR972A | M96 |



Note: Arrow () indicates secure side of door.

How to Order the Muséo® Piet Levers

MUSÉO® PIET LEVER COLLECTION TRIM AND FINISH OPTIONS



Grooved Insert
21G



Leather Insert
21L



Polished with Satin Insert
21M



Santoprene™ Insert
21S



With Raised Band
23M



Plain
25M



Plain with Two Grooves
27M

PIET FINISH CODES

| BHMA/ASSA ABLOY Finish | Piet Code* | Description |
|------------------------|------------|--|
| 630 | 30 | Satin Stainless Steel |
| 629 | 29 | Bright Stainless Steel |
| 613E | 3E | Dark Oxidized Satin Bronze, Equivalent |
| BSP | BS | Black Suede Powder Coat |
| WSP | WS | White Suede Powder Coat |
| N/A | BK | Black (Santoprene™ or leather insert) |
| N/A | BN | Brown (leather insert) |
| N/A | 00 | No Insert |

*Code used to specify Piet Collection finishes only. Use available finishes list to specify desired finish when ordering.

PIET LEVER DESCRIPTIONS & AVAILABLE FINISHES

| Lever Designation | Lever Description | Available Finishes (as ordered) |
|-------------------|-------------------|--|
| 21G | Grooved Insert | 292929, 303030, 3E003E, BS00BS, WS00WS |
| 21L | Leather Insert | 29BK29, 29BN29, 30BK30, 30BN30, 3EBK3E, 3EBN3E, BSBKBS, BSNBNS, WSBKWS, WSNBWS |
| 21M | Metallic Insert | 293029** only |
| 21S | Santoprene Insert | 29BK29, 30BK30, 3E003E, BS00BS, WS00WS |
| 23M | Raised Band | 290029, 300030, 290030**, 3E003E, BS00BS, WS00WS |
| 25M | Plain | 290029, 300030, 3E003E, BS00BS, WS00WS |
| 27M | Two Grooves | 290029, 300030, 3E003E, BS00BS, WS00WS |

**Two-tone finish - grip of lever is 630, balance of lever is 629. Escutcheon finish will be 618.

ORDERING EXAMPLES

Trim Only

| Quantity | Trim/Function | Lever Finish | Hand |
|----------|---------------|--------------|------|
| 2 | 21M910 | 293029 | RHR |

In this example the escutcheon finish will be supplied in 618.

Exit Device with Trim

| Quantity | Exit Device | Trim/Function | Lever Finish | Exit Bar Finish | Hand | Cylinder Option | Door Thickness | Optional Strike | Door Width |
|----------|-------------|---------------|--------------|-----------------|------|-----------------|----------------|-----------------|------------|
| 2 | ED5600A | 21G9M10 | 303030 | 630 | LHR | 6P | D200 | SB214 | W048 |

Helpful Terms

Abrasive Coat

Hard granular material applied to provide a non-slip tactile surface for the visually impaired.

Active Door

In a pair of doors, the door that is operable from the trim side.

Astragal

A vertical member applied to one or both sides of a pair of doors at the meeting edges. The astragal closes the gap between the two doors.

Coordinator

A device used on a pair of doors to ensure that the inactive door closes before the active door.

Deadlocking Latch

A supplemental latch that automatically deadlocks the latchbolt when pressure is applied to it.

Dogging

A mechanism that allows the latchbolt to remain retracted, permitting the door to operate as if it were a push-pull; it cannot be used on fire-rated exit devices.

Double Egress

A pair of doors of the same hand that swing in opposite directions, commonly found in corridors.

Dummy Trim

Trim only. Usually used on the inactive door of a pair of doors for design balance.

Exit Device (Panic Hardware)

A door locking device with a pushpad or crossbar which, when pressed, allows instant exit (egress).

Fire Exit Hardware

An exit device listed by an independent testing laboratory as meeting panic, fire and hose stream test standards; used on fire-rated openings.

Hand

The direction a door swings.

Inactive Door

In a pair of doors, the door that is inoperable from the trim side.

Latchbolt

A lock component that has a beveled end and projects into a strike, holding the door in a closed position.

Mullion

A fixed or removable vertical member that divides a door opening and provides a latch surface for a pair of rim exit devices.

Open Back Strike

For mortise exit devices, used on the inactive door (usually the vertical rod door) of a pair of doors that swing in the same direction. It permits the inactive door to open or close independently.

Reversible

Pertains to a product that may be changed in the field to accommodate any hand of the door.

Shim Kit

Pieces of metal that permit mounting of an exit device on a door that has a surface projecting vision light (glass bead) molding.

Split Astragal

An astragal that is split through the middle on a pair of doors, allowing both doors to operate independently.

Threshold

A strip fastened to the floor beneath a door. It serves as a stop, prevents heat loss, and provides a strike location for latching the bottom rod of a vertical rod exit device.

Trim

Lever, pull, or thumbpiece used on the outside of an exit device door to control access to an area.

Universal Exit Device

An exit device that may be used on doors of either hand without any modifications.

KEYING AND CYLINDER TERMS

Concealed Key Control (CKC)

The marking of standard key symbols on a cylinder in a location that is not visible once the cylinder is installed.

Construction Master Keying (CMK)

A cylinder preparation that allows temporary access by construction personnel.

Control Key

A key used to remove and install interchangeable cores.

Cylinder

A lock component containing the combination that determines which keys will operate.

Security Cylinder

A cylinder which provides extra resistance to picking and unauthorized duplication of keys.

Interchangeable Core (IC)

A cylinder which can be removed and installed quickly with a control key by non-skilled personnel when rekeying is required.

Key Symbol

A letter/number combination in standard industry format (e.g., 1AA, AA1, etc.) which indicates exactly how a key or cylinder fits into a keying system.

Keyway

The opening in a cylinder plug through which the key enters.

Master Keying

Preparation of a cylinder to operate with keys of different levels of access.

Visual Key Control (VKC)

The marking of standard key symbols on keys and on the visible portion of the front of a cylinder.

How to Specify

SUGGESTED SPECIFICATION FOR PANIC AND FIRE-RATED EXIT DEVICES

Exit devices shall be ED5000 Series Pushpad Exit Devices as manufactured by Corbin Russwin Architectural Hardware.

The exit device chassis shall be cold forged steel, electroplated for corrosion resistance, and shall be architecturally finished brass, bronze or stainless steel. The pushpad mechanism shall be constructed of extruded aluminum and shall be scalped with architecturally finished brass, bronze or stainless steel. The maximum projection shall be 3-1/4" when the pushpad is active and 2-3/4" when the pushpad is dogged down. Nylon bearings and stainless steel springs shall be used for long life and durability; only torsion springs are acceptable. Rear and active case covers shall be wrought brass or bronze and shall be plated to match the exit bar. Plastic or painted covers are not acceptable. Latchbolts shall be steel and shall incorporate a deadlocking latch for increased security. Devices without deadlocking latches are not acceptable. Mounting screws shall be concealed to deter tampering. Devices shall be closed on all sides with no pinch points. All exit devices shall be easily field sized to accommodate various door widths.

Panic-listed exit devices shall have single-point, one quarter turn hex key dogging standard. Optional cylinder dogging shall be available on panic listed devices only. Devices with hex key dogging shall be easily field converted to cylinder dogging. Panic-listed devices shall be available less dogging.

Trims shall be through-bolted with concealed fasteners. Escutcheon and pull type trims shall be constructed of brass or bronze. All lever trims shall use cast or forged levers. On trims with cylinders, the mechanism that locks and unlocks the trim shall be housed in the trim and not in the active case of the exit device. Rim and vertical rod lever trims shall be Free Wheeling with clutch mechanism allowing lever to rotate 60° when locked for ideal protection. Lever trims shall match those on Corbin Russwin Mortise and Cylindrical Locksets.

Exit devices and trims shall be furnished in BHMA standard architectural finishes.

Exit devices shall be listed by Underwriters Laboratories (UL) for safety as panic hardware. Fire-rated devices shall be listed for A label and lesser class doors.

Certification:
ANSI A156.3, Grade 1

Devices, trims and cylinders shall be from one manufacturer.

Devices and 900 series trim shall carry a five-year limited warranty.

Electronic components shall carry a two-year limited warranty / Motorized electric latch retraction (MELR) shall carry a 5 year warranty.

How to Specify

SUGGESTED SPECIFICATION FOR DELAYED EGRESS EXIT DEVICES

Delayed egress exit devices shall be ED4000/ED5000 series (rim, SecureBolt®, mortise or concealed vertical rod) with the "D" suffix, manufactured by Corbin Russwin Architectural Hardware.

The delayed egress exit device secures the door in the locked mode. Depressing the pushpad for less than three seconds will sound the device nuisance beep without initiating the alarm. Depressing the pushpad longer than three seconds will initiate an irreversible local audible beeping tone and allow the device to release for egress after 15 seconds (or 30 seconds may be accepted by local jurisdiction) and sound the alarm. The alarm will continue until reset by the mechanical key switch located on the device.

Devices shall be 24 volts DC.

The exit device chassis shall be cold forged steel, electroplated for corrosion resistance, and shall be architecturally finished brass, bronze or stainless steel. The pushpad mechanism shall be constructed of extruded aluminum and shall be scalped with architecturally finished brass, bronze or stainless steel. The maximum projection shall be 3-1/4" when the push pad is active and 2-3/4" when the push pad is depressed. Nylon bearings and steel springs shall be used for long life and durability. Active case and alarm end cover shall be wrought brass, bronze or stainless steel and shall be plated to match the exit bar. Painted or plastic covers or end caps are not acceptable. Latch bolts shall be steel and shall incorporate a deadlocking latch for increased security. Devices without deadlocking latches are not acceptable. Mounting screws shall be concealed to deter tampering. Devices shall be closed on all sides with no pinch points. Device active cover and end cap attaching screws shall be security Torx® pin.

Trims shall be through-bolted with concealed fasteners. Escutcheon and pull-type trims shall be constructed of brass, bronze or stainless steel. All lever trims shall use cast or forged levers. On trims with cylinders, the mechanism that locks and unlocks the trim shall be housed in the trim and not in the active head of the Exit Device. Rim and vertical rod lever trims shall be Free Wheeling with clutch mechanism allowing lever to rotate 60° when locked for ideal protection. Lever trims shall match those on Corbin Russwin mortise and cylindrical locksets.

Devices shall be listed by UL/cUL as Controlled Exit Panic Devices or Special Locking Arrangement and meet all requirements for NFPA 101.

Certification:

ANSI 156.3, Grade 1/ANSI 156.24

UL/cUL FUKD/FUKD7 - Controlled Panic Device

UL/cUL FWAX/FWAX7 - Special Locking Arrangements

Exit devices, trims and cylinders must be from one manufacturer.

Exit devices and heavy-duty trims shall have a five-year warranty. Electronics shall have a two-year warranty / Motorized electric latch retraction (MELR) shall carry a 5 year warranty.

The ASSA ABLOY Group is the global leader in access solutions. Every day, we help billions of people experience a more open world.

ASSA ABLOY Opening Solutions leads the development within door openings and products for access solutions in homes, businesses and institutions. Our offering includes doors, frames, door and window hardware, locks, perimeter fencing, access control and service.



For additional information, contact your
ASSA ABLOY Door Security Solutions
sales consultant or
visit www.corbinruswin.com.

In U.S.

Corbin Russwin
Architectural Hardware
225 Episcopal Road
Berlin, CT 06037
Phone: 800-543-3658
Fax: 800-447-6714
www.corbinruswin.com

In Canada

ASSA ABLOY Door
Security Solutions Canada
160 Four Valley Drive
Vaughan, Ontario
Canada L4K 4T9
Phone: 800-461-3007
Fax: 800-461-8989
www.assaabloydss.ca

ASSA ABLOY Group companies offer MicroShield®, an antimicrobial coating for door hardware. MicroShield uses proven silver ion-based technology from Agion®, a leading provider of antimicrobial solutions, to stem the spread of bacteria and other microbes.

MicroShield® is a trademark of ASSA ABLOY Access and Egress Hardware Group, Inc.



The Agion antimicrobial is not intended as a substitute for good hygiene. Coated products must still be cleaned to ensure the surfaces will be free of destructive microbes. ASSA ABLOY makes no representations or warranties, express or implied, as to the efficacy of the Agion antimicrobial. A copy of the Agion warranty is available upon request. Agion is a registered trademark of Agion Technologies, Inc., Wakefield, MA, USA.