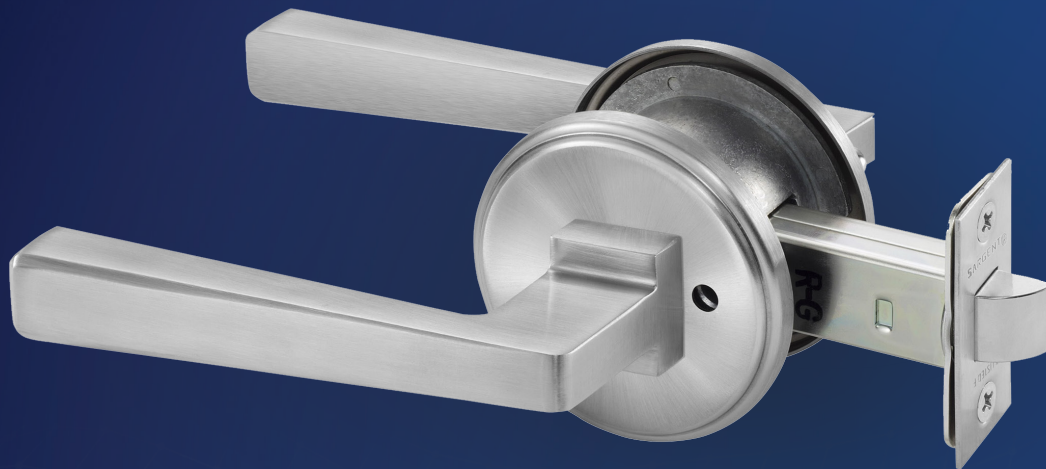


SARGENT

ASSA ABLOY

PRODUCT CATALOG

DL Series Tubular Lock



Experience a safer
and more open world

Table of Contents

DL Series Tubular Locks

Specifications/Functions	3
Studio Collection Levers	4-7
Ordering Gramercy Series Levers	8
Coastal Series™ & Standard Levers	9
Roses	10
Strikes	11
Options/Finishes	12
How to Order/Specify Handing	13
Architectural Specifications	14

MICROSHIELD®

ASSA ABLOY Group companies offer MicroShield®, an anti-microbial coating for door hardware. MicroShield uses proven silver ion-based technology from Agion®, a leading provider of antimicrobial solutions, to stem the spread of bacteria and other microbes.

MicroShield® is a trademark of ASSA ABLOY Access and Egress Hardware Group, Inc.


MICROSHIELD® COATING

- Revolutionary finish coating available on all SARGENT product lines, utilizes a silver-based antimicrobial compound from Agion Technologies
- As an integral part of the finish coating, MicroShield lasts for the life of the hardware
- MicroShield coating permanently suppresses the growth of bacteria, algae, fungus, mold and mildew. It is effective against a broad spectrum of bacteria.
- Non-toxic and completely safe. The Agion antimicrobial compound is EPA and NSF approved and FDA listed for use in medical and food preparation equipment.
- Applications: Anywhere there is need for a clean environment (hospitals, laboratories, schools, medical centers, daycare, food processing etc.)



The Agion antimicrobial is not intended as a substitute for good hygiene. Coated products must still be cleaned to ensure the surfaces will be free of destructive microbes. ASSA ABLOY makes no representations or warranties, express or implied, as to the efficacy of the Agion antimicrobial. A copy of the Agion warranty is available upon request. Agion is a registered trademark of Agion Technologies, Inc., Wakefield, MA, USA.

On The Cover

 H007 Lever with TO Rose

WARNING

This product can expose you to lead which is known to the state of California to cause cancer and birth defects or other reproductive harm. For more information go to www.P65warnings.ca.gov.

DL SERIES TUBULAR LOCK

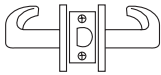
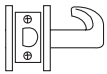
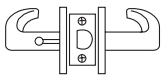
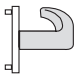
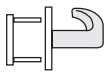
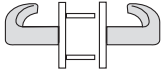
The DL Series tubular lock is designed for ease of installation with the quality you expect from the SARGENT name. The DL Series exceeds the expectations of the most demanding architects and design professionals. All Studio Collection and Coastal Series levers, as well as standard levers, can be used with the DL. Ideal interior applications include hotel guest rooms, high-end apartments, and condominiums.



GENERAL INFORMATION

- For doors 1-3/8" (35mm) to 1-3/4" (44mm) thick standard
- 2-3/4" (70mm) Backset standard with square corner front, 2-1/4" x 1-1/8" (57mm x 29mm) (specify 20- for 2-3/8" (60mm) backset)
- ANSI Standard 161 Door Prep (Except 93 & 94)
- Latchbolt brass 1/2" (13mm) projection
- Specify hand of lock on order; easily field reversible
- Warranty: 1 Year

FUNCTIONS

Inside/Outside	Series/Function	Type	Function Description
	DLU15	Passage	<ul style="list-style-type: none"> • Both levers retract latch • Ideal for closets & bedrooms
	DLU15-3	Communicating	<ul style="list-style-type: none"> • Blank rose outside • Lever retracts latch
	DLU65	Privacy	<ul style="list-style-type: none"> • I/S lever always retracts latch • O/S lever retracts latch, except when locked by inside push button • Closing door unlocks outside lever • Includes emergency release • Ideal for bathrooms & home offices • Not available with H008 and H011 levers
	DLU93	Single Lever Pull	<ul style="list-style-type: none"> • Lever always rigid • No latch included • Ideal for pantries & closets • Surface mounted*
	TB-DLU93	Single Lever Pull	<ul style="list-style-type: none"> • Lever always rigid • No latch included • Ideal for pantries & closets • Through-bolted
	DLU94	Double Lever Pull	<ul style="list-style-type: none"> • Levers always rigid • No latch included • Ideal for sliding doors • Through-bolted

* DLU93 Single Lever Pulls are recommended for use on solid wood or metal doors

Note: Handing for dummy trim only depends on side of door lever trim installed see page 13.



AVENTURA SERIES

ODÉON SERIES

(Handed Levers)

MB			MN²		
ME			MH²		
MF			MS²		
MG			MU²		
MI			MV²		
MW¹			NU^{1,2}		
NF¹			WG		

1 Lever returns within 1/2" (13mm) of door face

2 Not available in 32D or 32 finish

All levers are ADA compliant.

Copyright © 2004-2026, SARGENT Manufacturing Company. All rights reserved. Reproduction in whole or in part without the express written permission of SARGENT Manufacturing Company is prohibited. Patent pending and/or patent: www.assaabloyds.com/patents.

CENTRO SERIES

NOTTING HILL SERIES



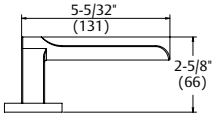

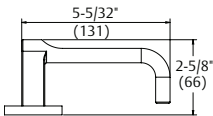

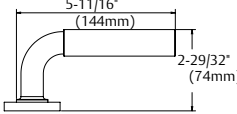



MD			MA²		
MJ			MQ² Handed		
MP²			MT² Handed		
ND¹			MO²		
NJ¹			MZ^{1,2} Handed		
			GT		

1 Lever returns within 1/2" (13mm) of door face

2 Not available in 32D or 32 finish

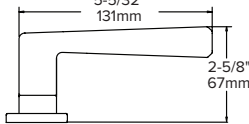

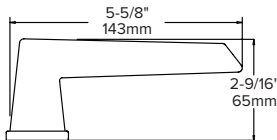

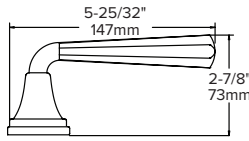

All levers are ADA compliant.

BERLIN SERIES²

H015		
H016¹		
H017		
H018		

GRANT PARK



H007		
H008 Handed		Not available with DLU65 
H011		Not available with DLU65 

1 Lever returns within 1/2" (13mm) of door face
 2 Not available in 32D or 32 finish

Copyright © 2004-2026, SARGENT Manufacturing Company. All rights reserved. Reproduction in whole or in part without the express written permission of SARGENT Manufacturing Company is prohibited. Patent pending and/or patent: www.assaabloydl.com/patents.

GRAMERCY SERIES²

RCM		
RAL		
REM		
RAM		
RAS		
RAG		
RGM		

WOOSTER SQUARE³



H001		
H002¹		
H003		
H004		
H005¹		
H006¹		

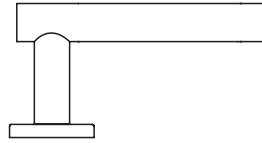
- 1 Lever returns within 1/2" (13mm) of door face
- 2 Gramercy levers are customized; refer to page 8 for ordering information
- 3 H003-H006 - Contain white or black polycarbonate inserts.
Not available with MicroShield® antimicrobial coating.

All levers are ADA compliant.

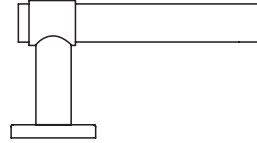
Copyright © 2004-2026, SARGENT Manufacturing Company. All rights reserved. Reproduction in whole or in part without the express written permission of SARGENT Manufacturing Company is prohibited. Patent pending and/or patent: www.assaabloydss.com/patents.

Ordering Gramercy Series Levers

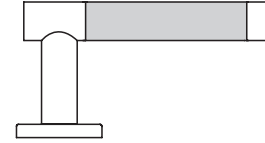
GRAMERCY SERIES LEVERS



REM, RGM



RCM



RAG, RAL, RAM, RAS

GRAMERCY FINISH CODES

ANSI/BHMA Finish	SARGENT Finish	Gramercy Code*	Description
630	32D	30	Satin Stainless Steel
629	32	29	Bright Stainless Steel
613E	10BE	3E	Dark Oxidized Satin Bronze, Equivalent
N/A	BSP	BS	Black Suede Powder Coat
N/A	WSP	WS	White Suede Powder Coat
N/A	N/A	BK	Black (Santoprene™ or leather insert)
N/A	N/A	BN	Brown (leather insert)

*Code used to specify Gramercy Series finishes only. Use available finishes list to specify desired finish when ordering.

GRAMERCY LEVER DESCRIPTIONS & AVAILABLE FINISHES

Lever Designation	Lever Description	Available Finishes (AS ORDERED)
RAG	Grooved Insert	3030, 2929, 3E3E, BSBS or WSWS
RAL	Leather Insert	30BK30, 30BN30, 29BK30, 29BN30, 3EBK3E, BSBKBS, WSBKWS, 3EBN3E, BSBNBS or WSBNWS
RAM	Satin Metal Insert	2930**
RAS	Santoprene Insert	30BK30, 29BK29, 3EBK3E, BSBKBS or WSBKWS
RCM	Raised Band	2930**, 2929, 3030, 3029***, 3E3E, BSBS or WSWS
REM	Plain	2929, 3030, 3E3E, BSBS or WSWS
RGM	Two Grooves	2929, 3030, 3E3E, BSBS or WSWS

** Two-tone finish: grip of lever is 32D, balance of lever is 32. Rose/escutcheon and lock finish will be 32

***Two-tone finish: grip of lever is 32, balance of lever is 32D. Rose/escutcheon and lock finish will be 32D

To order Gramercy Series levers with SARGENT products, see the examples below. When specifying finish, use the last two digits of the ANSI/BHMA standard finish code, i.e. use "29" for polished stainless, ANSI/BHMA finish 629.

HOW TO ORDER DL SERIES LOCKS WITH GRAMERCY LEVERS

Options	Series	Function	Roses	Lever	Hand	Finish
Select from page 12	DL	Select from page 3	Select from page 10	Leather insert	RH or LH	Bright stainless steel with brown leather
28-	DL	U65	TO	RAL	RH	29BN29

Gramercy Levers are available with E2, O, CO & TO roses; DLU93 & DLU94 functions are also available with E3, CR, LN & TR roses.

COASTAL SERIES™

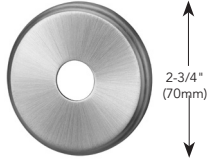
<p>G - Gulfport™ Handed</p>			<p>S - Sanibel™ Handed</p>		
<p>R - Rockport™</p>			<p>Y - Yarmouth™ Handed</p>		

Note: Not available in 32D or 32 finish

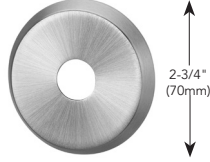
STANDARD LEVERS

<p>A Handed</p>			<p>J</p>	
<p>B</p>			<p>L</p>	
<p>E</p>			<p>P</p>	
<p>F</p>			<p>W</p>	

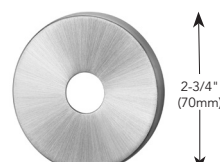
ROSES



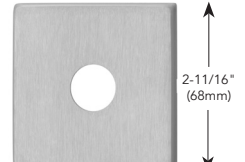
TO Rose



CO Rose

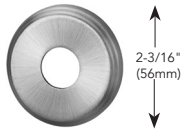


O Rose

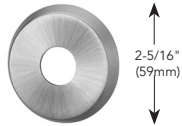


E2 Rose*
(handed)

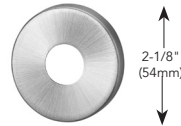
ADDITIONAL ROSES FOR DLU93 AND DLU94 FUNCTIONS ONLY*



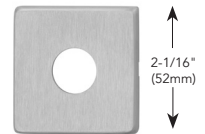
TR Rose



CR Rose



LN Rose



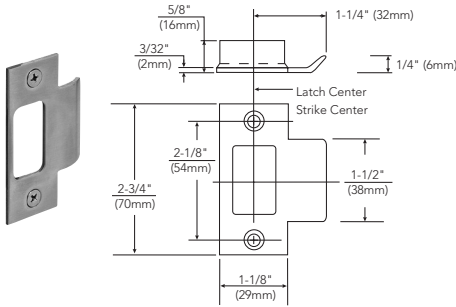
E3 Rose
(handed)

***CAUTION:** Cannot retrofit on existing cylindrical lock door preps with through-bolt holes outside the 2-1/8" bored hole.

Copyright © 2004-2026, SARGENT Manufacturing Company. All rights reserved. Reproduction in whole or in part without the express written permission of SARGENT Manufacturing Company is prohibited. Patent pending and/or patent: www.assaabloydss.com/patents.

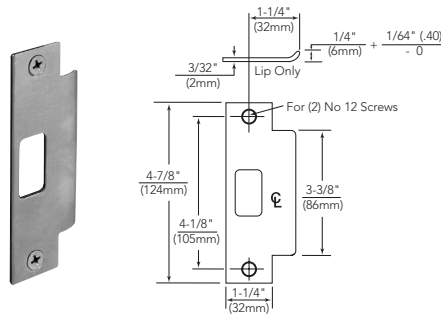
2-3/4" Curved Lip Strike – Standard

- Brass, bronze or stainless steel
- Furnished standard with 1-1/4" (32mm) curved lip from center of strike screw holes to end of lip
- Lip lengths 1" (25mm), 1-1/4" (32mm) standard, 1-1/2" (38mm), 1-3/4" (44mm), 2" (51mm) and 3" (76mm)
- To order strike separately, specify 800 strike x finish x lip length



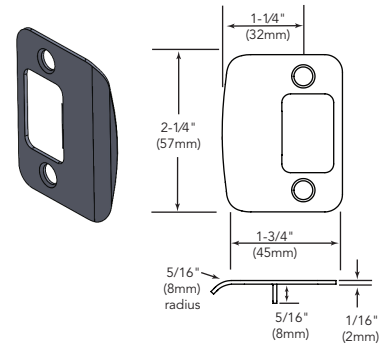
4-7/8" Curved Lip Strike: (28-Option)

- Brass, bronze or stainless steel
- Conforms to ANSI standard
- Furnished standard with curved lip 1-1/4" (32mm) from center of strike screw holes to end of lip
- Lip lengths: 7/8" (22mm), 1-1/8" (29mm), 1-1/4" (32mm), 1-3/8" (35mm), 1-5/8" (42mm), 1-7/8" (48mm), 2-1/8" (54mm), 2-3/8" (60mm), 2-5/8" (66mm), 2-7/8" (73mm) and 3" (76mm)
- To order strike separately, specify 808 strike x finish x lip length



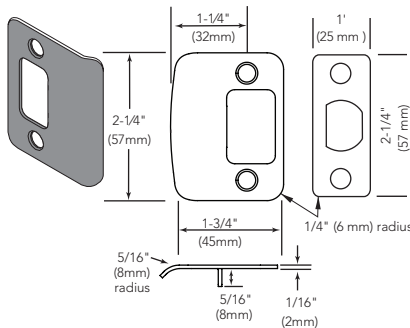
2-1/4" Full Lip Strike (14- Option)

- Brass or stainless steel
- Furnished standard with curved lip 1-1/4" (32mm) from center of strike screw holes to end of lip
- Radius corners
- No other lip lengths available
- Adjustable tab (standard) to reduce door movement when latch is engaged in strike
- To order strike separately, specify: 505 strike x finish



2-1/4" (57 mm) Full Lip Strike (13- Option)

- Lockset x Front and Strike with 1/4" (32 mm) Radius and 2-3/8" (60 mm) Backset
- To order strike separately, specify: 505 x finish
- Adjustable tab to reduce door movement when latch engaged in strike standard



ANSI Wrought Strike Box

- Used with ANSI 4-7/8" (124 mm) strike (#808)
- To order with lock, specify option WBS
- To order separately, specify 77-1141



OPTIONS

12	UL/cUL Listed for 3 hour Fire Rated doors
13	Lockset x Front & Strike with 1/4" Radius and 2-3/8" Backset
14	505 Full lip strike
20	2-3/8" backset latch with square corner 2-1/4" x 1" front
28	Strike #808. Lip length 1-1/4"
31	1-7/8" to 2" thick door—centered in door
SG	MicroShield® – antimicrobial powder coat (Available on 26D, and 32D Finishes only)
TB	Through-bolting for DLU93 Function
WBS	Wrought Box Strike

Note: Any retrofit or other field modification to a fire rated opening can potentially impact the fire rating of the opening, and Sargent Manufacturing Company makes no representations or warranties concerning what such impact may be in any specific situation. When retrofitting any portion of an existing fire rated opening, or specifying and installing a new fire-rated opening, please consult with a code specialist or local code official (Authority Having Jurisdiction) to ensure compliance with all applicable codes and ratings.

FINISHES

SARGENT	Description	ANSI/BHMA
03	Bright brass, clear coated	605
04	Satin brass, clear coated	606
09	Bright bronze, clear coated	611
10	Satin bronze, clear coated	612
10B	Dark oxidized satin bronze, oil rubbed	613
10BE	Dark oxidized satin bronze, equivalent	(613E)
10BL	Oxidized satin bronze, clear coated	614
14	Bright nickel plated, clear coated	618
15	Satin nickel plated, clear coated	619
20D	Statuary dark bronze, clear coated	624
26	Bright chrome plated	625
26D*	Satin chrome plated	626
32	Bright stainless steel	629
32D*	Satin stainless steel	630
BSP	Black Suede Powder Coat	—
WSP	White Suede Powder Coat	—

Refer to page 8 for ordering Gramercy Levers.

* MicroShield® - optional designate SG- option (Available on 26D and 32D Finishes only)

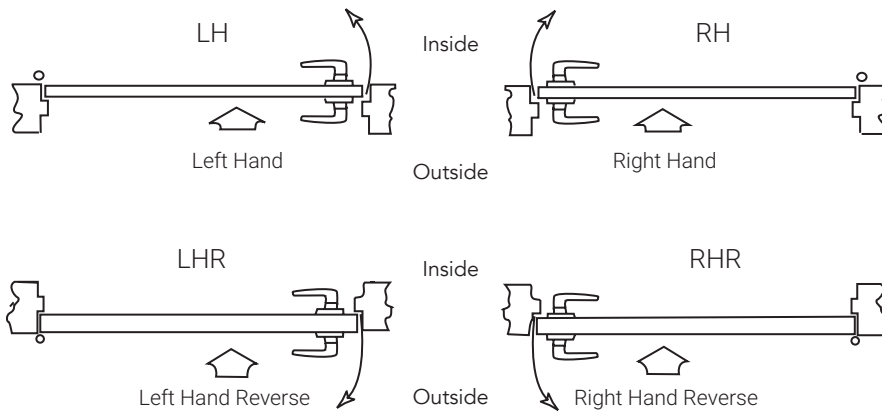
How to Order/Specify Handing

HOW TO ORDER DL SERIES TUBULAR LOCKS

Series	Function	Rose	Lever	Hand	Finish
DL	U15	TO	MD	RH	26D

HOW TO SPECIFY HANDING

Door hands determined from outside (secure side) of door.

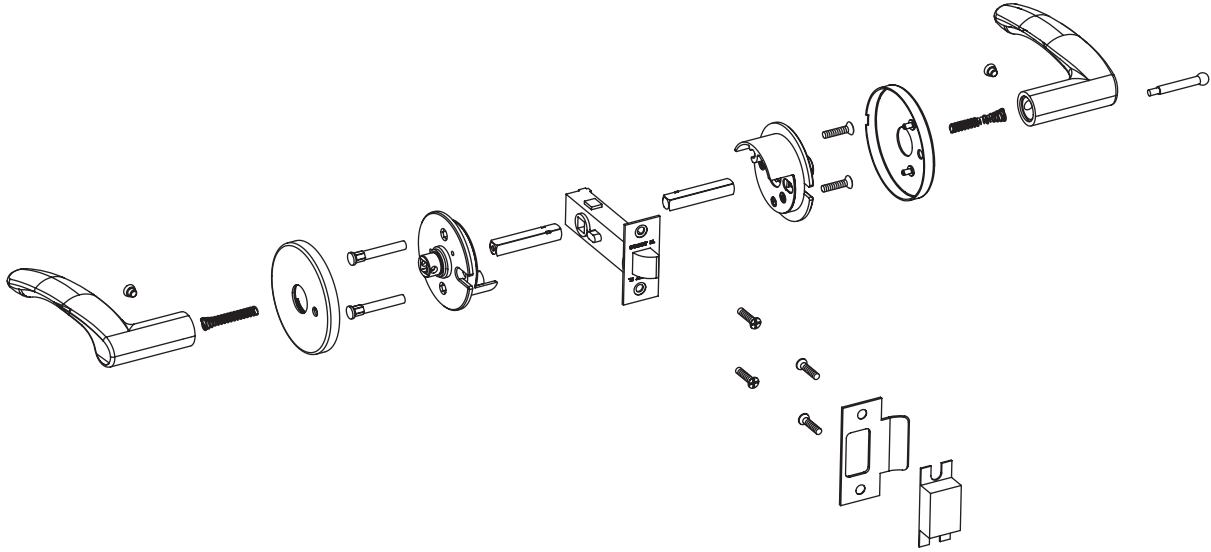


*When ordering single dummy trim with handed levers:

Order the hand to match the hinge location on the same side of the door where the trim will be installed.

- When viewing trim side and hinges are on the right, order **Right Hand**
- When viewing trim side and hinges are on the left, order **Left Hand**.

EXPLODED VIEW



ARCHITECTURAL SPECIFICATIONS

2.0 Tubular Locksets

- A. Locksets shall be either standard tubular (DL Series) as manufactured by SARGENT Manufacturing Company, New Haven, CT.
- B. Locks shall be field reversible for handing with bi-directional lever operation.
- C. The DL Series locks mount in a standard ANSI 161 door preparation (2-1/8 inch dia.) without additional through-bolt preps.
- D. Lockset levers shall be made of solid material with no plastic fillers.
- E. Locks shall have a 2-3/4" (70mm) backset standard, with 2-3/8" (60mm) offered as an option.
- F. Strikes shall be non-handed with a curved lip.
- G. Locks shall have a one year limited warranty.

The ASSA ABLOY Group is the global leader in access solutions. Every day, we help billions of people experience a more open world.

ASSA ABLOY Opening Solutions leads the development within door openings and products for access solutions in homes, businesses and institutions. Our offering includes doors, frames, door and window hardware, mechanical and smart locks, access control and service.

SARGENT[®]
ASSA ABLOY

SARGENT Manufacturing Company
100 Sargent Drive
New Haven, CT 06511 USA
800-727-5477
www.sargentlock.com

Founded in the early 1800s, SARGENT[®] is a market leader in locksets, cylinders, door closers, exit devices, electro-mechanical products and access control systems for new construction, renovation, and replacement applications. The company's customer base includes commercial construction, institutional, and industrial markets.

Copyright © 2004-2026, SARGENT Manufacturing Company. All rights reserved. Reproduction in whole or in part without the express written permission of SARGENT Manufacturing Company is prohibited. Patent pending and/or patent www.assaabloydss.com/patents.