

ED4000, ED5000 SERIES

Mechanical Pushpad Exit Devices
Parts and Service Manual



Experience a safer
and more open world

Introduction

Installation Notes 3
 How to Order Parts 3
 Finish Chart 3

Exit Devices

ED5200(A), ED4200 Rim Exit Device 4
 ED4200M(A) Rim Exit Device 5
 ED5200(A), ED4200S Rim Exit Device 6
 ED4200SM(A) Rim Exit Device 7
 ED4400, ED5400(A) Surface Vertical Rod 8-9
 ED4400M(A) Surface Vertical Rod 10-11
 ED5470(B) Surface Vertical Rod 12-13
 ED5470(B) x M55 (Less Bottom Rod) Surface Vertical Rod 14-15
 ED4800, ED5800(A) Concealed Vertical Rod Exit Device 16-17
 ED4800M(A) Concealed Vertical Rod Exit Device 18-19
 ED5860(B) Concealed Exit Device 20-21
 ED5860B x M55 (Less Bottom Rod) Concealed Exit Device 22-23
 ED5600(A), ED5602(A) Mortise Exit Device 24-25
 ED5000DB Dummy Bar 26-27
 ED4000/ED5000 Pushpad Components 28-29

Trim

910, 950, 955, 959 Trim 30-31
 957 Trim 32-33
 9M10, 9M50, 9M55, 9M57 Trim 34-35
 F950, F957, F9M57 Trim 36-37
 910, 950, 955, 959 Parabolic Trim 38-39
 957 Parabolic Trim 40-41
 9M10, 9M50, 9M55, 9M57 Parabolic Trim 42-43
 F950, F957, F9M57 Parabolic Trim 44-45
 9903, 9905 Trim 46-47
 9603, 9605, 9S603, 9S605, 9134 Trim 48-49
 9610, 9630, 9133, 9S610, 9S63 Trim 50-51
 9M603, 9M605, 9M134 Trim 52-53
 9M610, 9M3630, 9M133 Trim 54-55
 TH910, TH950, TH955, TH957, TH959 Trim 56-57
 TH9M10, TH9M55, TH9M57 Trim 58-59
 P950, P957, P9M57 Trim 60
 P1050, P1057 Trim 61
 810, 850, 855, 859 Trim 62-63
 F450, F457, 0810, 0855, 0859 Trim 64-65
 T1455, T1410, T1459 Trim 66-67
 01455, 01459, 01410 Trim 68-69
 T1450, T1457 Trim 70-71
 Muséo Levers 72

Cylinders

. 73-74

Strikes

. 75

Accessories

. 76

Handing Instructions

. 77-78

Surface Vertical Rod Exit Devices

. 79

Concealed Vertical Rod Exit Devices

. 80

Troubleshooting

. 81

The warranty on Corbin Russwin products becomes void if the product is modified in any way, regardless of whether the modifications causes or contributes to any alleged defect. If a Corbin Russwin product is modified it may no longer meet industry certification and quality control standards applicable to the original product and is no longer a genuine Corbin Russwin product.

Copyright © 2000-2025, ASSA ABLOY Access and Egress Hardware Group, Inc. All rights reserved. Reproduction in whole or in part without the express written permission of ASSA ABLOY Access and Egress Hardware Group, Inc. is prohibited. Patent pending and/or patent www.assaabloydss.com/patents.



Installation Notes

1. Any retrofit or other field modification to a fire rated opening can potentially impact the fire rating of the opening, and Yale Locks & Hardware makes no representations or warranties concerning what such impact may be in any specific situation. When retrofitting any portion of an existing fire rated opening, or specifying and installing a new fire rated opening, please consult with a code specialist or local code official (Authority Having Jurisdiction) to ensure compliance with all applicable codes and ratings.
2. Refer to the templates and installation instructions for complete door preparation and installation requirements.
3. Machine screws are provided for steel reinforced doors, threaded-to-the-head AB Type screws are provided for wood door applications. In addition, sex nuts and bolts are provided for fire rated devices and are optional for non-rated devices. It is recommended that sex nuts and bolts be used for all exit device applications. This will improve the performance and extend the life of the product.

How to Order Parts

1. In order to simplify the ordering procedure and maintain regulatory compliance, parts are only available as listed
2. To order parts, provide the appropriate quantity, part number, finish, hand (when required) and description as directed and illustrated below.

For example, use the following configuration to order:

- A) ten escutcheon assemblies (page 30) in satin chrome**
- B) one surface vertical rod latch cover (page 10) in bright brass**

	Quantity	Part Number	Finish	Hand	Description
A	10	677F01	626	—	Escutcheon Assemblies
B	1	650F64	605	—	Top Latch Cover

For assistance, contact your authorized Corbin Russwin distributor, sales agency or visit our website at www.corbinrusswin.com.

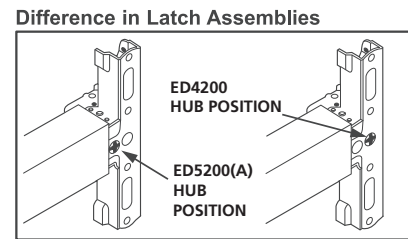
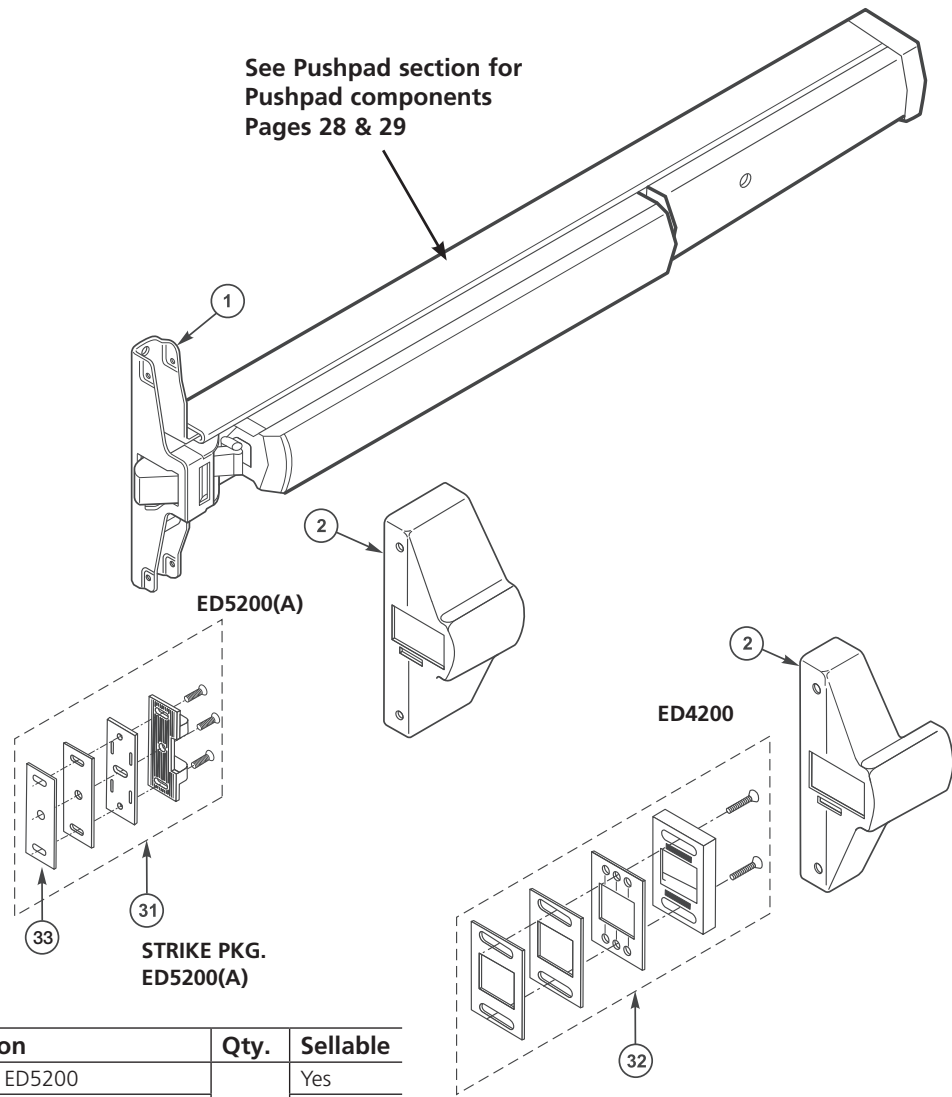
Finishes

ANSI/BHMA Code	Finish Description
605	Bright Brass, Clear Coated
606	Satin Brass, Clear Coated
611	Bright Bronze, Clear Coated
612	Satin Bronze, Clear Coated
613	Dark Oxidized Satin Bronze, Oil Rubbed
613E	Dark Oxidized Satin Bronze, Equivalent
618	Bright Nickel, Clear Coated
619	Satin Nickel Plated, Clear Coated
625	Bright Chrome Plated
626	Satin Chrome Plated
626C*	Satin Chromium Plated with MicroShield®
629	Bright Stainless Steel
630	Satin Stainless Steel
630C*	Satin Stainless Steel with MicroShield®
722	Black Oxidized Satin Bronze, Oil Rubbed

*Finish available with MicroShield® antimicrobial coating, additional finishes by special application. Consult factory for availability.

The warranty on Corbin Russwin products becomes void if the product is modified in any way, regardless of whether the modifications causes or contributes to any alleged defect. If a Corbin Russwin product is modified it may no longer meet industry certification and quality control standards applicable to the original product and is no longer a genuine Corbin Russwin product.

Copyright © 2000-2025, ASSA ABLOY Access and Egress Hardware Group, Inc. All rights reserved. Reproduction in whole or in part without the express written permission of ASSA ABLOY Access and Egress Hardware Group, Inc. is prohibited. Patent pending and/or patent www.assaabloydss.com/patents.

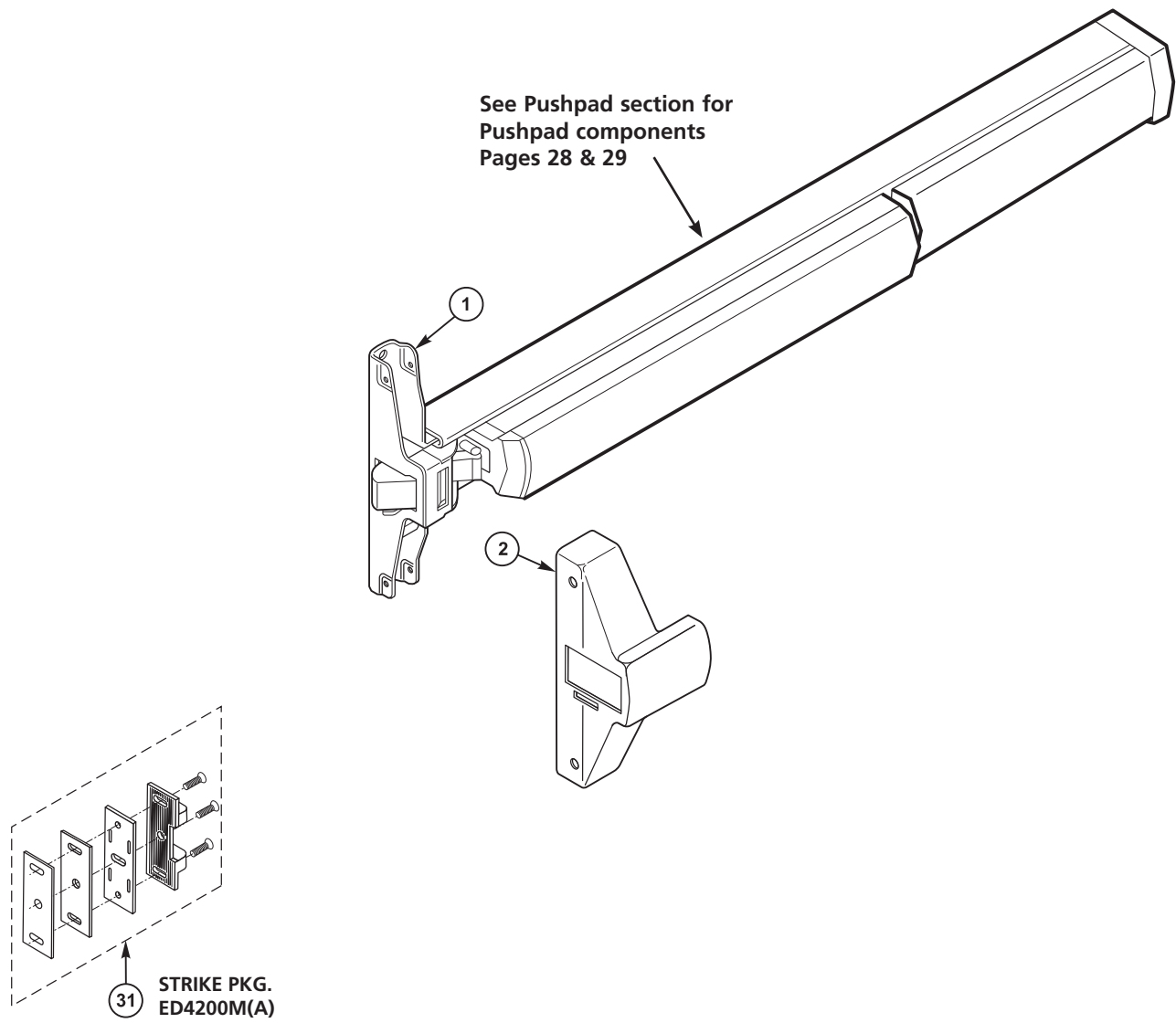


Item	Part No.	Description	Qty.	Sellable
1	650F358	Latch Assy, ED5200	1	Yes
	650F368	Latch Assy, ED5200A		Yes
	706F038	Latch Assy, ED5202 RHR*		Yes
	706F048	Latch Assy, ED5202 LHR*		Yes
	706F058	Latch Assy, ED5202A RHR*		Yes
	706F068	Latch Assy, ED5202A LHR*		Yes
	650F378	Latch Assy, ED4200		Yes
2	650F00 x Fin	Cover, ED5200	1	Yes
	---	Cover, ED5200A		No
	706F11 x Fin	Cover ED5202 RHR*		Yes
	706F12 x Fin	Cover ED5202 LHR*		Yes
	650F03 x Fin	Cover, ED4200		Yes
31	650F308	Strike Packet, ED5200(A)	1	Yes
32	650F318	Strike Packet, ED4200	1	Yes
33	734F358	Shim, 1/16" Thick	1	Yes
N/A	655F718	(S02) ED5200 Rim x VR Strike* (See ED5000 Catalog, Pg. 51)	1	Yes

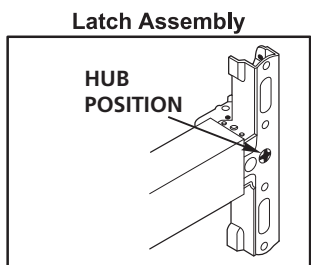
* Not Shown

The warranty on Corbin Russwin products becomes void if the product is modified in any way, regardless of whether the modifications causes or contributes to any alleged defect. If a Corbin Russwin product is modified it may no longer meet industry certification and quality control standards applicable to the original product and is no longer a genuine Corbin Russwin product.

Copyright © 2000-2025, ASSA ABLOY Access and Egress Hardware Group, Inc. All rights reserved. Reproduction in whole or in part without the express written permission of ASSA ABLOY Access and Egress Hardware Group, Inc. is prohibited. Patent pending and/or patent www.assaabloyds.com/patents.

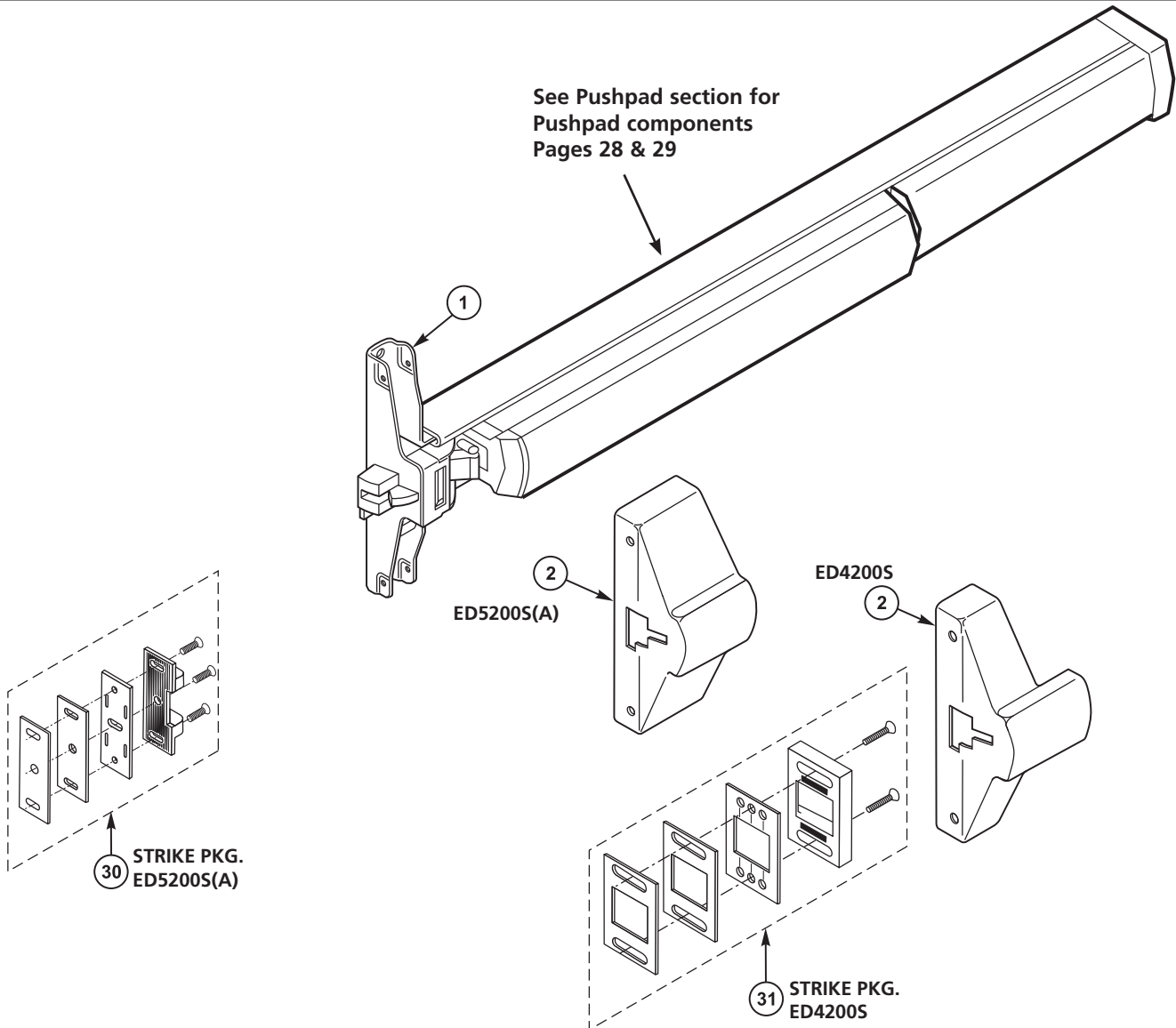


Item No.	Part No.	Description	Qty.	Sellable
1	650F378	Latch Assy, ED4200M	1	Yes
	756F008	Latch Assy, ED4200MA		Yes
2	650F03 x Fin	Cover, ED4200M Only	1	Yes
	---	Cover, ED4200MA		No
31	650F308	ED4200M(A) Strike Packet	1	Yes



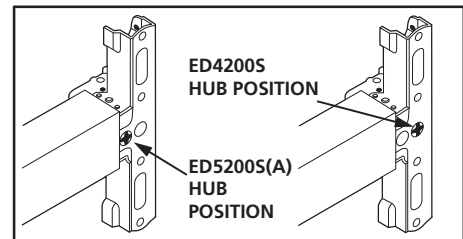
The warranty on Corbin Russwin products becomes void if the product is modified in any way, regardless of whether the modifications causes or contributes to any alleged defect. If a Corbin Russwin product is modified it may no longer meet industry certification and quality control standards applicable to the original product and is no longer a genuine Corbin Russwin product.

Copyright © 2000-2025, ASSA ABLOY Access and Egress Hardware Group, Inc. All rights reserved. Reproduction in whole or in part without the express written permission of ASSA ABLOY Access and Egress Hardware Group, Inc. is prohibited. Patent pending and/or patent www.assaabloydss.com/patents.



Item No.	Part No.	Description	Qty.	Sellable
1	681F608	Latch Assy, ED5200S, ED5200SA	1	Yes
	706F078	Latch Assy, ED5202S, ED5202SA RHR*		Yes
	706F088	Latch Assy, ED5202S, ED5202SA LHR*		Yes
	681F618	Latch Assy, ED4200S		Yes
2	681F62 x Fin	Cover, ED5200S	1	Yes
	---	Cover, ED5200SA		No
	706F13 x Fin	Cover, ED5202S RHR*		Yes
	706F14 x Fin	Cover, ED5202S LHR*		Yes
	681F63 x Fin	Cover, ED4200S	1	Yes
30	730F778	ED5200S(A) Strike Packet	1	Yes
31	650F318	ED4200S Strike Packet	1	Yes
N/A	655F718	ED5200S Rim x VR Strike (S02)* (See ED5000 Catalog Pg. 51)	1	Yes
N/A	710F458	M107 Strike	1	Yes
N/A	710F468	M107 Shim Kit	1	Yes

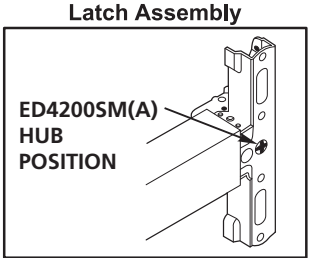
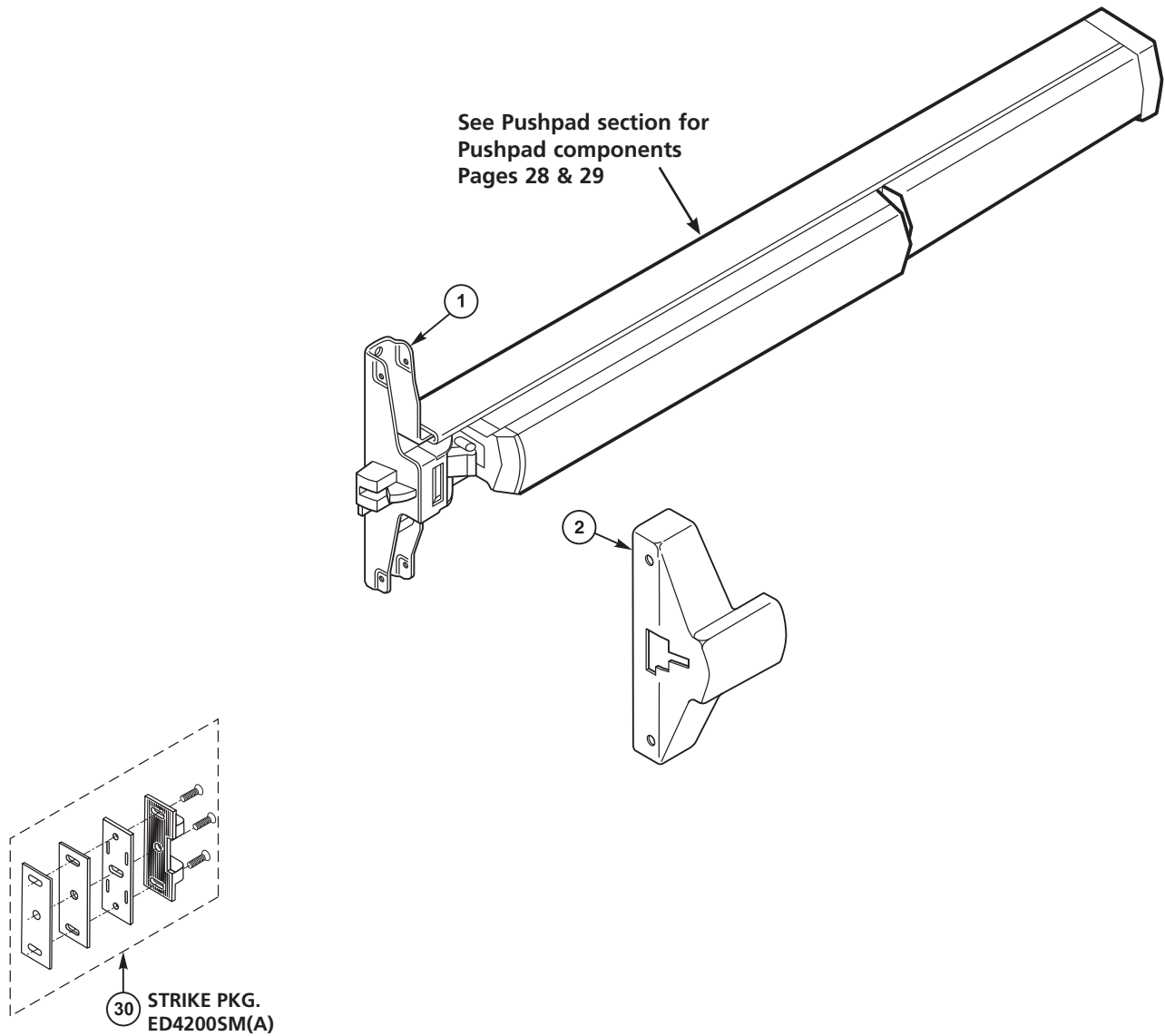
Difference in Latch Assemblies



* Not Shown

The warranty on Corbin Russwin products becomes void if the product is modified in any way, regardless of whether the modifications causes or contributes to any alleged defect. If a Corbin Russwin product is modified it may no longer meet industry certification and quality control standards applicable to the original product and is no longer a genuine Corbin Russwin product.

Copyright © 2000-2025, ASSA ABLOY Access and Egress Hardware Group, Inc. All rights reserved. Reproduction in whole or in part without the express written permission of ASSA ABLOY Access and Egress Hardware Group, Inc. is prohibited. Patent pending and/or patent www.assaabloydss.com/patents.



Item No.	Part No.	Description	Qty.	Sellable
1	681F618	Latch Assy, ED4200SM(A)	1	Yes
2	681F63 x Fin	Cover, ED4200SM	1	Yes
30	730F778	ED4200SM(A) Strike Packet	1	Yes

The warranty on Corbin Russwin products becomes void if the product is modified in any way, regardless of whether the modifications causes or contributes to any alleged defect. If a Corbin Russwin product is modified it may no longer meet industry certification and quality control standards applicable to the original product and is no longer a genuine Corbin Russwin product.

Copyright © 2000-2025, ASSA ABLOY Access and Egress Hardware Group, Inc. All rights reserved. Reproduction in whole or in part without the express written permission of ASSA ABLOY Access and Egress Hardware Group, Inc. is prohibited. Patent pending and/or patent www.assaabloydss.com/patents.

ED4400, ED5400(A) Surface Vertical Rod

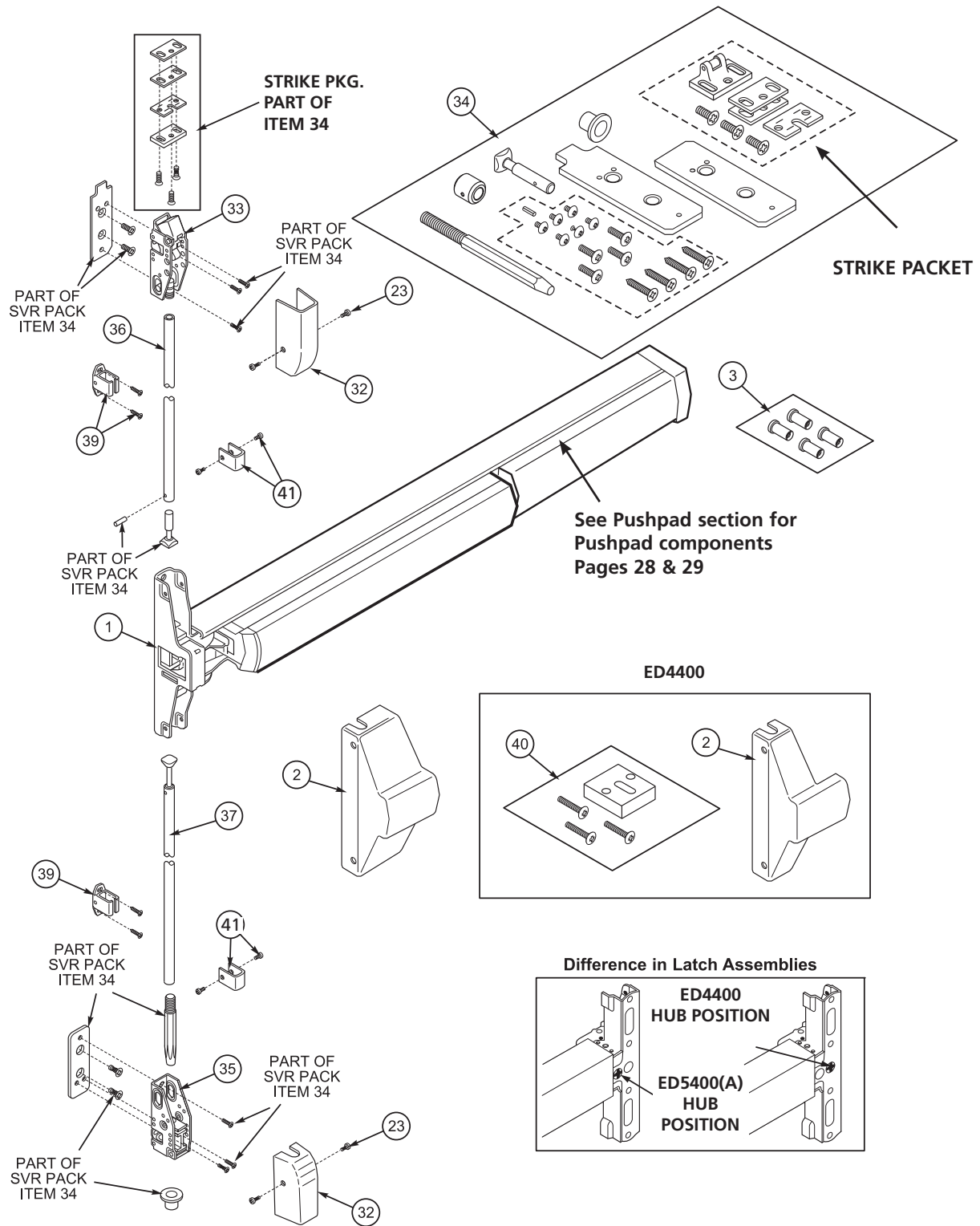
ED4000, ED5000 Parts Manual

Item No.	Part No.	Description	Qty.	Sellable
1	650F388	Active Head, ED5400, ED5400A RHR	1	Yes
	650F398	Active Head, ED5400, ED5400A LHR		Yes
	650F408	Active Head, ED4400 RHR		Yes
	650F418	Active Head, ED4400 LHR		Yes
2	650F01 x Fin	Cover, ED5400	1	Yes
	---	Cover, ED5400A		No
	650F04 x Fin	Cover, ED4400		Yes
3	652F298 x Fin	Sex Nut Pack	2	Yes
23	704F63 x Fin	Cover Screw Packet, #8 x 5/16"	1	Yes
32	650F64 x Fin	Top & Bottom Cover Latches	2	Yes
33	650F558	Top Latch, ED5400, ED4400	1	Yes
	650F568	Top Latch, ED5400A		Yes
34	650F578	SVR Pack	1	Yes
	650F548	Strike	1	Yes
35	650F588	Bottom Bolt Case, ED5400, ED4400	1	Yes
	650F598	Bottom Bolt Case ED5400A		Yes
36	650F60 x Fin	Top Rod	1	Yes
37	649F99 x Fin	Bottom Rod Assembly	1	Yes
39	650F62 x Fin	Rod Guide Packet	1	Yes
40	650F978	Pillow Block Packet ED4400	1	Yes
41	675F99 x Fin	Rod Guide Cover	2	Yes
N/A	654F208	Wood Screw Packet*	1	Yes
	655F15 x Fin	2" Rod Extension*		Yes
	655F16 x Fin	6" Rod Extension*		Yes
	655F17 x Fin	12" Rod Extension*		Yes
	684F42 x Fin	24" Rod Extension (ED4400)*		Yes

* Not Shown

The warranty on Corbin Russwin products becomes void if the product is modified in any way, regardless of whether the modifications causes or contributes to any alleged defect. If a Corbin Russwin product is modified it may no longer meet industry certification and quality control standards applicable to the original product and is no longer a genuine Corbin Russwin product.

Copyright © 2000-2025, ASSA ABLOY Access and Egress Hardware Group, Inc. All rights reserved. Reproduction in whole or in part without the express written permission of ASSA ABLOY Access and Egress Hardware Group, Inc. is prohibited. Patent pending and/or patent www.assaabloydss.com/patents.



The warranty on Corbin Russwin products becomes void if the product is modified in any way, regardless of whether the modifications causes or contributes to any alleged defect. If a Corbin Russwin product is modified it may no longer meet industry certification and quality control standards applicable to the original product and is no longer a genuine Corbin Russwin product.

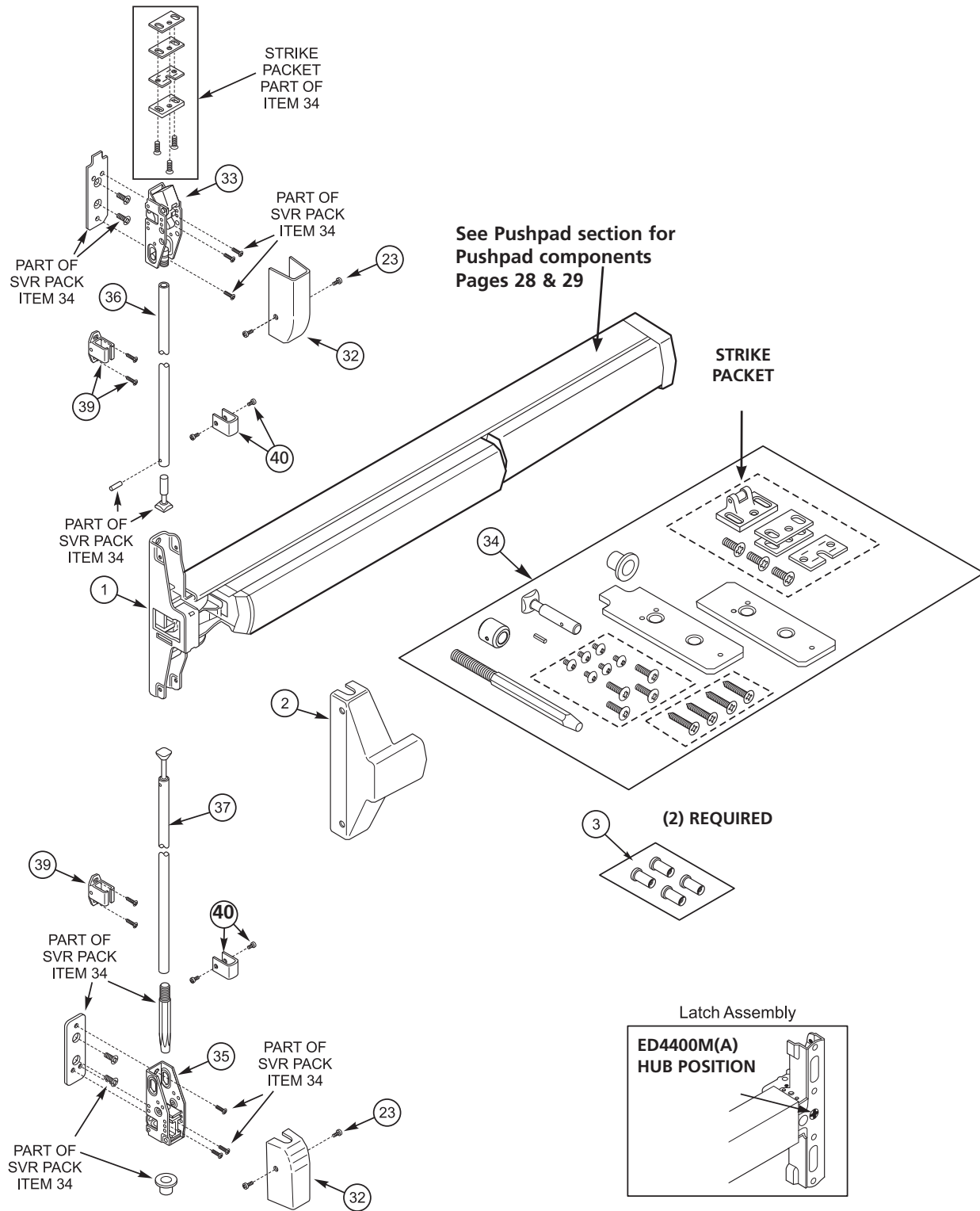
Copyright © 2000-2025, ASSA ABLOY Access and Egress Hardware Group, Inc. All rights reserved. Reproduction in whole or in part without the express written permission of ASSA ABLOY Access and Egress Hardware Group, Inc. is prohibited. Patent pending and/or patent www.assaabloydss.com/patents.

Item No.	Part No.	Description	Qty.	Sellable
1	650F408	Active Head, ED4400M(A) RHR	1	Yes
	650F418	Active Head, ED4400M(A) LHR		Yes
2	650F04 x Fin	Cover, ED4400M	1	Yes
	---	Cover, ED4400M(A)		No
3	652F298	Sex Nut Pack	4	Yes
23	704F63 x Fin	Cover Screw Packet, #8 x 5/16 "	1	Yes
32	650F64 x Fin	Top & Bottom Cover Latches	2	Yes
33	650F558	Top Latch, ED4400M	1	Yes
	650F568	Top Latch, ED4400MA		Yes
34	650F578	SVR Pack	1	Yes
	652F298	Sex Nut Pack	4	Yes
	650F548	Top Strike Packet	1	Yes
35	650F588	Bottom Bolt Case, ED4400M	1	Yes
	650F598	Bottom Bolt Case ED4400M(A)		Yes
36	650F60 x Fin	Top Rod	1	Yes
37	649F99 x Fin	Bottom Rod Assembly	1	Yes
39	650F62 x Fin	Rod Guide Packet	1	Yes
40	675F99 x Fin	Rod Guide Cover	2	Yes
N/A	654F208	Wood Screw Packet	1	Yes
	655F15 x Fin	2 " Rod Extension*	1	Yes
	655F16 x Fin	6 " Rod Extension*	1	Yes
	655F17 x Fin	12 " Rod Extension*	1	Yes
	684F42 x Fin	24 " Rod Extension (ED4400)*	1	Yes

* Not Shown

The warranty on Corbin Russwin products becomes void if the product is modified in any way, regardless of whether the modifications causes or contributes to any alleged defect. If a Corbin Russwin product is modified it may no longer meet industry certification and quality control standards applicable to the original product and is no longer a genuine Corbin Russwin product.

Copyright © 2000-2025, ASSA ABLOY Access and Egress Hardware Group, Inc. All rights reserved. Reproduction in whole or in part without the express written permission of ASSA ABLOY Access and Egress Hardware Group, Inc. is prohibited. Patent pending and/or patent www.assaabloydss.com/patents.



The warranty on Corbin Russwin products becomes void if the product is modified in any way, regardless of whether the modifications causes or contributes to any alleged defect. If a Corbin Russwin product is modified it may no longer meet industry certification and quality control standards applicable to the original product and is no longer a genuine Corbin Russwin product.

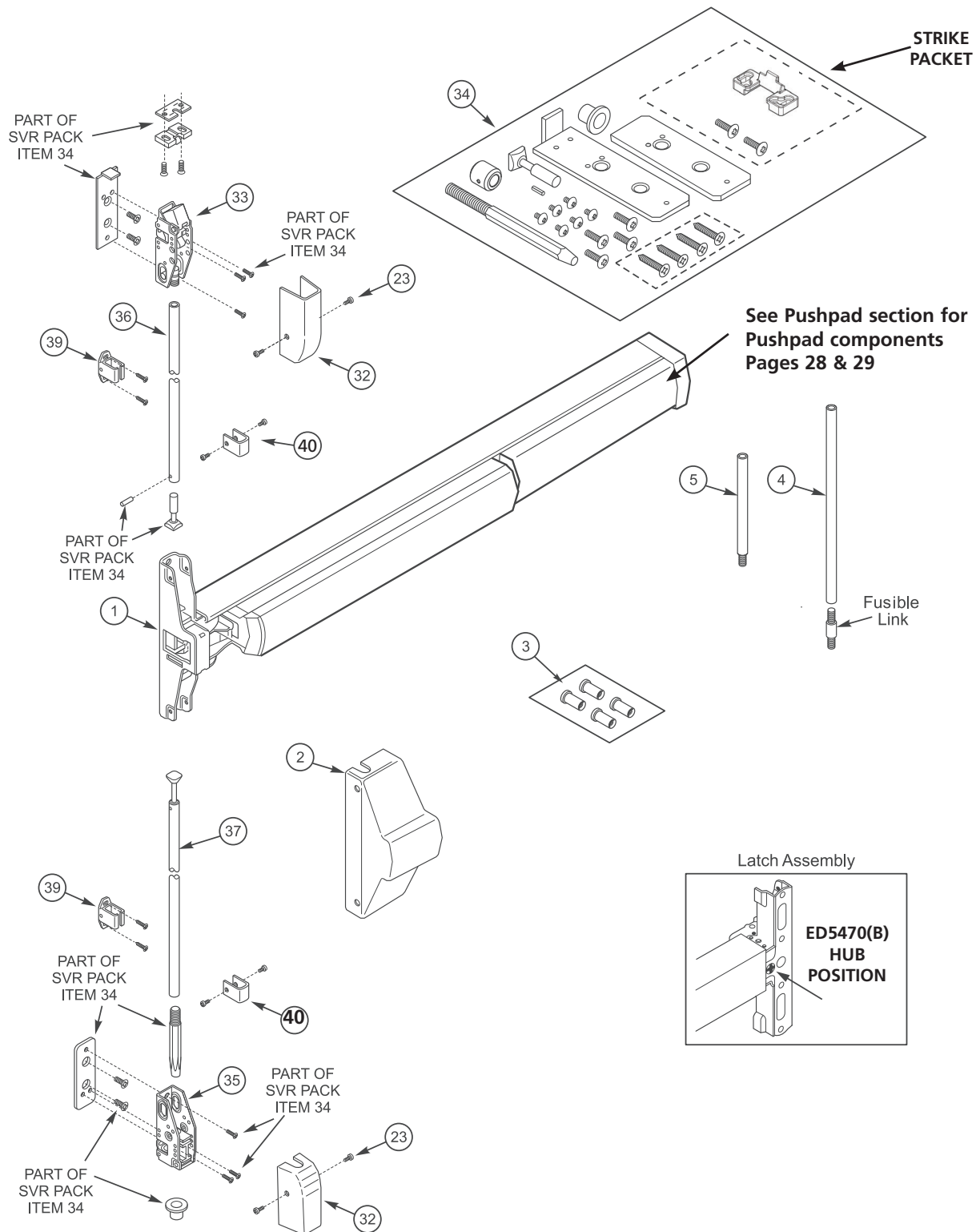
Copyright © 2000-2025, ASSA ABLOY Access and Egress Hardware Group, Inc. All rights reserved. Reproduction in whole or in part without the express written permission of ASSA ABLOY Access and Egress Hardware Group, Inc. is prohibited. Patent pending and/or patent www.assaabloydss.com/patents.

Item No.	Part No.	Description	Qty.	Sellable
1	650F388	Active Head, ED5470(B) RHR	1	Yes
	650F398	Active Head, ED5470(B) LHR		Yes
2	650F01 x Fin	Cover, ED5470	1	Yes
	---	Cover, ED5470B		No
3	652F298	Sex Nut Pack	4	Yes
4	684F42 x Fin	Rod Extension Assembly, 24"	1	Yes
5	655F17 x Fin	Rod Extension Assembly, 12"	2	Yes
	N/A 655F15 x Fin	2" Rod Extension*	1	Yes
	655F16 x Fin	6" Rod Extension*	1	Yes
23	704F63 x Fin	Cover Screw Packet, #8-32 x 5/16"	1	Yes
32	650F64 x Fin	Top & Bottom Latches Cover	2	Yes
33	650F558	Top Latch, ED5470	1	Yes
	650F568	Top Latch, ED5470B		Yes
34	697F978	SVR Pack	1	Yes
	681F708	Top Strike Packet	1	Yes
35	650F588	Bottom Bolt Case, ED5470	1	Yes
	650F598	Bottom Bolt Case, ED5470B		Yes
36	650F60 x Fin	Top Rod	1	Yes
37	649F99 x Fin	Bottom Rod Assembly	1	Yes
39	650F62 x Fin	Rod Guide Packet	1	Yes
40	675F99 x Fin	Rod Guide Cover	2	Yes
N/A	654F208	Wood Screw Packet*	1	Yes

* Not Shown

The warranty on Corbin Russwin products becomes void if the product is modified in any way, regardless of whether the modifications causes or contributes to any alleged defect. If a Corbin Russwin product is modified it may no longer meet industry certification and quality control standards applicable to the original product and is no longer a genuine Corbin Russwin product.

Copyright © 2000-2025, ASSA ABLOY Access and Egress Hardware Group, Inc. All rights reserved. Reproduction in whole or in part without the express written permission of ASSA ABLOY Access and Egress Hardware Group, Inc. is prohibited. Patent pending and/or patent www.assaabloydss.com/patents.



The warranty on Corbin Russwin products becomes void if the product is modified in any way, regardless of whether the modifications causes or contributes to any alleged defect. If a Corbin Russwin product is modified it may no longer meet industry certification and quality control standards applicable to the original product and is no longer a genuine Corbin Russwin product.

Copyright © 2000-2025, ASSA ABLOY Access and Egress Hardware Group, Inc. All rights reserved. Reproduction in whole or in part without the express written permission of ASSA ABLOY Access and Egress Hardware Group, Inc. is prohibited. Patent pending and/or patent www.assaabloydss.com/patents.

ED5470(B) x M55 (Less Bottom Rod) Surface Vertical Rod

ED4000, ED5000 Parts Manual

Item No.	Part No.	Description	Qty.	Sellable
1	650F388	Active Head, ED5470(B) RHR	1	Yes
	650F398	Active Head, ED5470(B) LHR		Yes
2	650F01 x Fin	Cover, ED5470	1	Yes
	---	Cover, ED5470B		No
3	652F298	Sex Nut Pack, Fire Only & M54	4	Yes
4	684F42 x Fin	Rod Extension Assembly, 24"	1	Yes
5	655F17 x Fin	Rod Extension Assembly, 12"	2	Yes
N/A	655F15 x Fin	2" Rod Extension*	1	Yes
	655F16 x Fin	6" Rod Extension*	1	Yes
23	704F63 x Fin	Cover Screw Packet, #8-32 x 5/16"	1	Yes
32	650F64 x Fin	Top & Bottom Latches Cover	2	Yes
33	650F558	Top Latch, ED5470	1	Yes
	650F568	Top Latch, ED5470B		Yes
34	654F158	SVR Pack	1	Yes
	681F708	Top Strike Packet	1	Yes
36	650F60 x Fin	Top Rod	1	Yes
39	650F62 x Fin	Rod Guide Packet	1	Yes
40	675F99 x Fin	Rod Guide Cover	2	Yes
55	744F688	Popper Packet [Fire Rated (B) Only]	1	Yes
N/A	654F208	Wood Screw Packet*	1	Yes

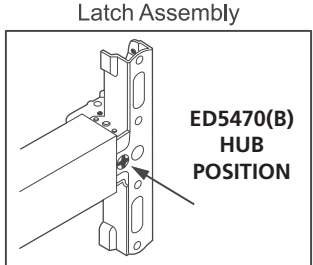
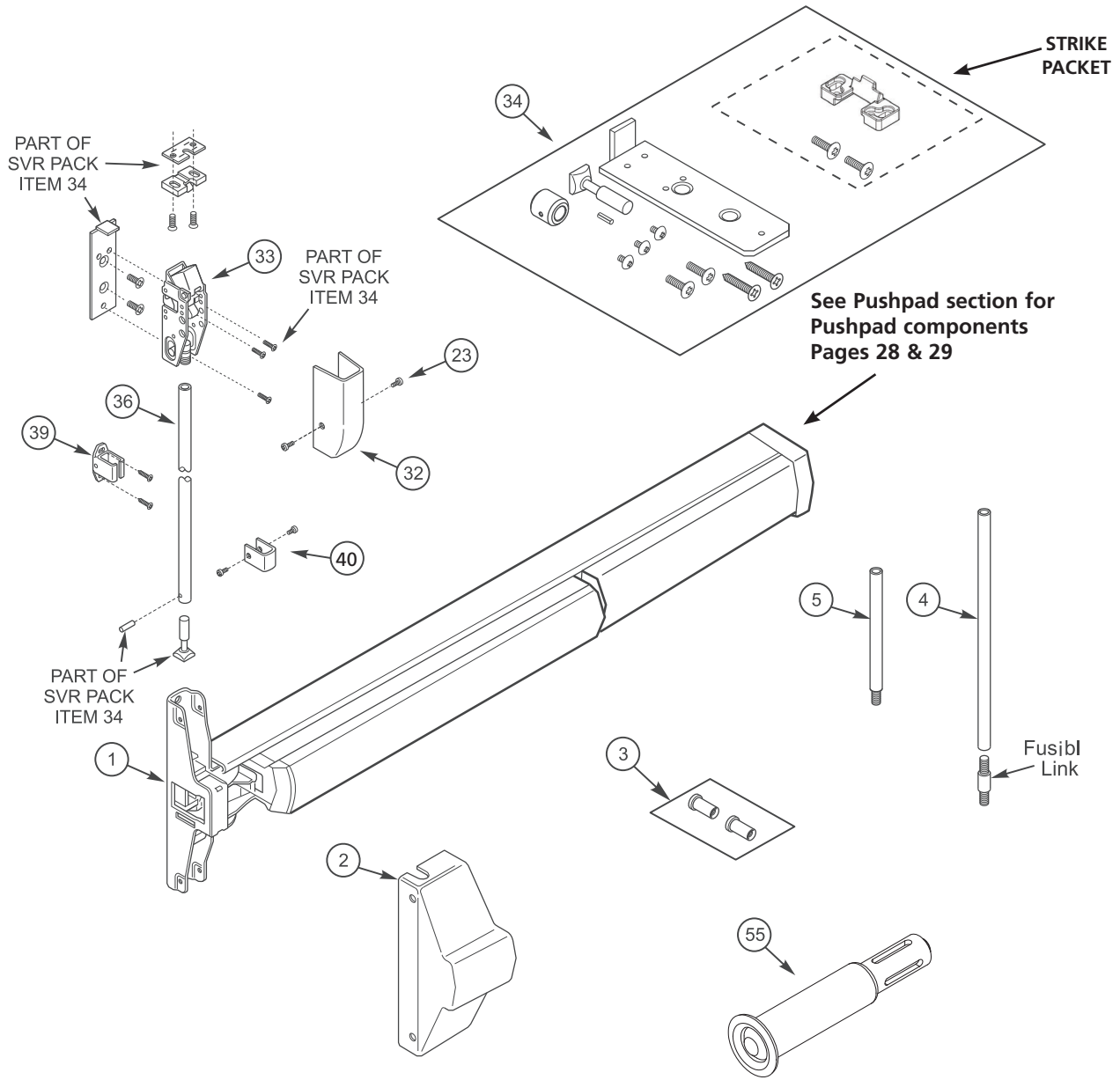
* Not Shown

The warranty on Corbin Russwin products becomes void if the product is modified in any way, regardless of whether the modifications causes or contributes to any alleged defect. If a Corbin Russwin product is modified it may no longer meet industry certification and quality control standards applicable to the original product and is no longer a genuine Corbin Russwin product.

Copyright © 2000-2025, ASSA ABLOY Access and Egress Hardware Group, Inc. All rights reserved. Reproduction in whole or in part without the express written permission of ASSA ABLOY Access and Egress Hardware Group, Inc. is prohibited. Patent pending and/or patent www.assaabloydss.com/patents.

ED5470(B) x M55 (Less Bottom Rod)
Surface Vertical Rod

ED4000, ED5000 Parts Manual



The warranty on Corbin Russwin products becomes void if the product is modified in any way, regardless of whether the modifications causes or contributes to any alleged defect. If a Corbin Russwin product is modified it may no longer meet industry certification and quality control standards applicable to the original product and is no longer a genuine Corbin Russwin product.

Copyright © 2000-2025, ASSA ABLOY Access and Egress Hardware Group, Inc. All rights reserved. Reproduction in whole or in part without the express written permission of ASSA ABLOY Access and Egress Hardware Group, Inc. is prohibited. Patent pending and/or patent www.assaabloydss.com/patents.

Item No.	Part No.	Description	Qty.	Sellable
1	650F438	Active Head, ED5800(A) RHR	1	Yes
	650F448	Active Head, ED5800(A) LHR		Yes
	650F458	Active Head, ED4800(A) RHR		Yes
	650F468	Active Head, ED4800(A) LHR		Yes
2	650F02 x Fin	Cover, Latch Assy ED5800	1	Yes
	---	Cover, Latch Assy 5800A		No
	650F05 x Fin	Cover, Latch Assy ED4800		Yes
35	650F748	Bottom Bolt Case, ED5800	1	Yes
	650F758	Bottom Bolt Case, ED5800A		Yes
	650F768	Bottom Bolt Case, ED4800		Yes
36	650F808	Top Rod	1	No
46	707F268	CVR Pack, ED5800(A) & ED4800	1	Yes
	650F548	Top Strike Packet	1	Yes
47	650F718	Top Latch & Bracket Assy ED5800	1	Yes
	650F728	Top Latch & Bracket Assy ED5800A		Yes
	650F738	Top Latch & Bracket Assy ED4800		Yes
49	650F798	Bottom Rod & Coupler Assy	1	Yes
51	650F818	Top Rod Tube	1	Yes
52	707F257	Arm & Bracket Assy	2	Yes
53	654F208	Wood Screw Packet*	1	Yes

* Not Shown

The warranty on Corbin Russwin products becomes void if the product is modified in any way, regardless of whether the modifications causes or contributes to any alleged defect. If a Corbin Russwin product is modified it may no longer meet industry certification and quality control standards applicable to the original product and is no longer a genuine Corbin Russwin product.

Copyright © 2000-2025, ASSA ABLOY Access and Egress Hardware Group, Inc. All rights reserved. Reproduction in whole or in part without the express written permission of ASSA ABLOY Access and Egress Hardware Group, Inc. is prohibited. Patent pending and/or patent www.assaabloydss.com/patents.

ED4800M(A) Concealed Vertical Rod

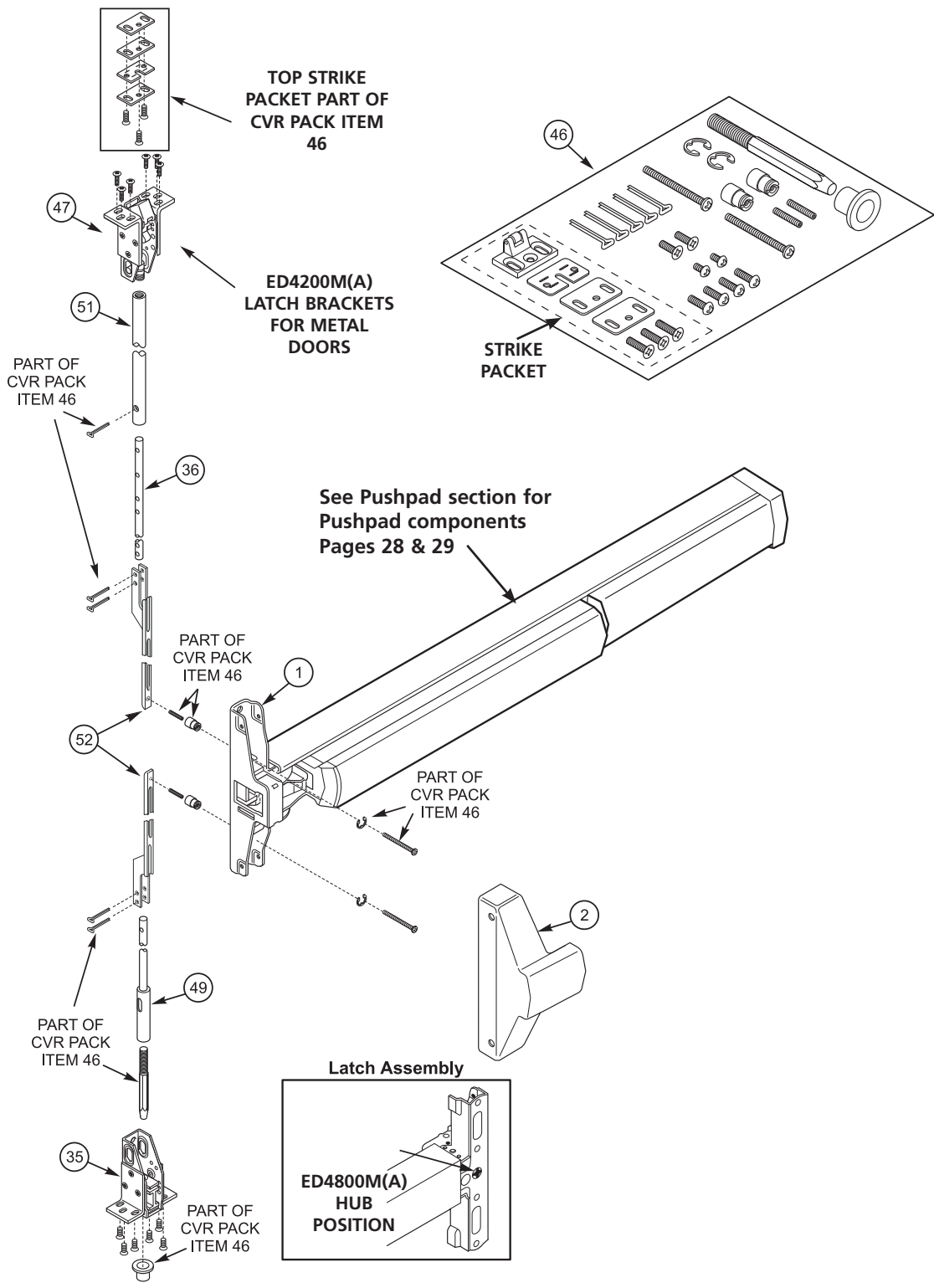
ED4000, ED5000 Parts Manual

Item No.	Part No.	Description	Qty.	Sellable
1	650F458	Active Head, ED4800M(A) RHR	1	Yes
	650F468	Active Head, ED4800M(A) LHR		Yes
2	650F05 x Fin	Cover, Latch Assy ED4800M	1	Yes
	---	Cover, Latch Assy ED4800MA		No
35	650F748	Bottom Bolt Case, ED4800M	1	Yes
	650F758	Bottom Bolt Case, ED4800MA		Yes
36	650F808	Top Rod	1	Yes
46	707F268	CVR Pack, ED5800(A) & ED4800	1	Yes
	650F548	Top Strike Packet	1	Yes
47	650F718	Top Latch & Bracket Assy ED4800M	1	Yes
	650F728	Top Latch & Bracket Assy ED4800MA		Yes
49	650F798	Bottom Rod & Coupler Assy	1	Yes
51	650F818	Top Rod Tube	1	Yes
52	707F257	Arm & Bracket Assy	2	Yes
53	654F208	Wood Screw Packet*	1	Yes

* Not Shown

The warranty on Corbin Russwin products becomes void if the product is modified in any way, regardless of whether the modifications causes or contributes to any alleged defect. If a Corbin Russwin product is modified it may no longer meet industry certification and quality control standards applicable to the original product and is no longer a genuine Corbin Russwin product.

Copyright © 2000-2025, ASSA ABLOY Access and Egress Hardware Group, Inc. All rights reserved. Reproduction in whole or in part without the express written permission of ASSA ABLOY Access and Egress Hardware Group, Inc. is prohibited. Patent pending and/or patent www.assaabloydss.com/patents.



The warranty on Corbin Russwin products becomes void if the product is modified in any way, regardless of whether the modifications causes or contributes to any alleged defect. If a Corbin Russwin product is modified it may no longer meet industry certification and quality control standards applicable to the original product and is no longer a genuine Corbin Russwin product.

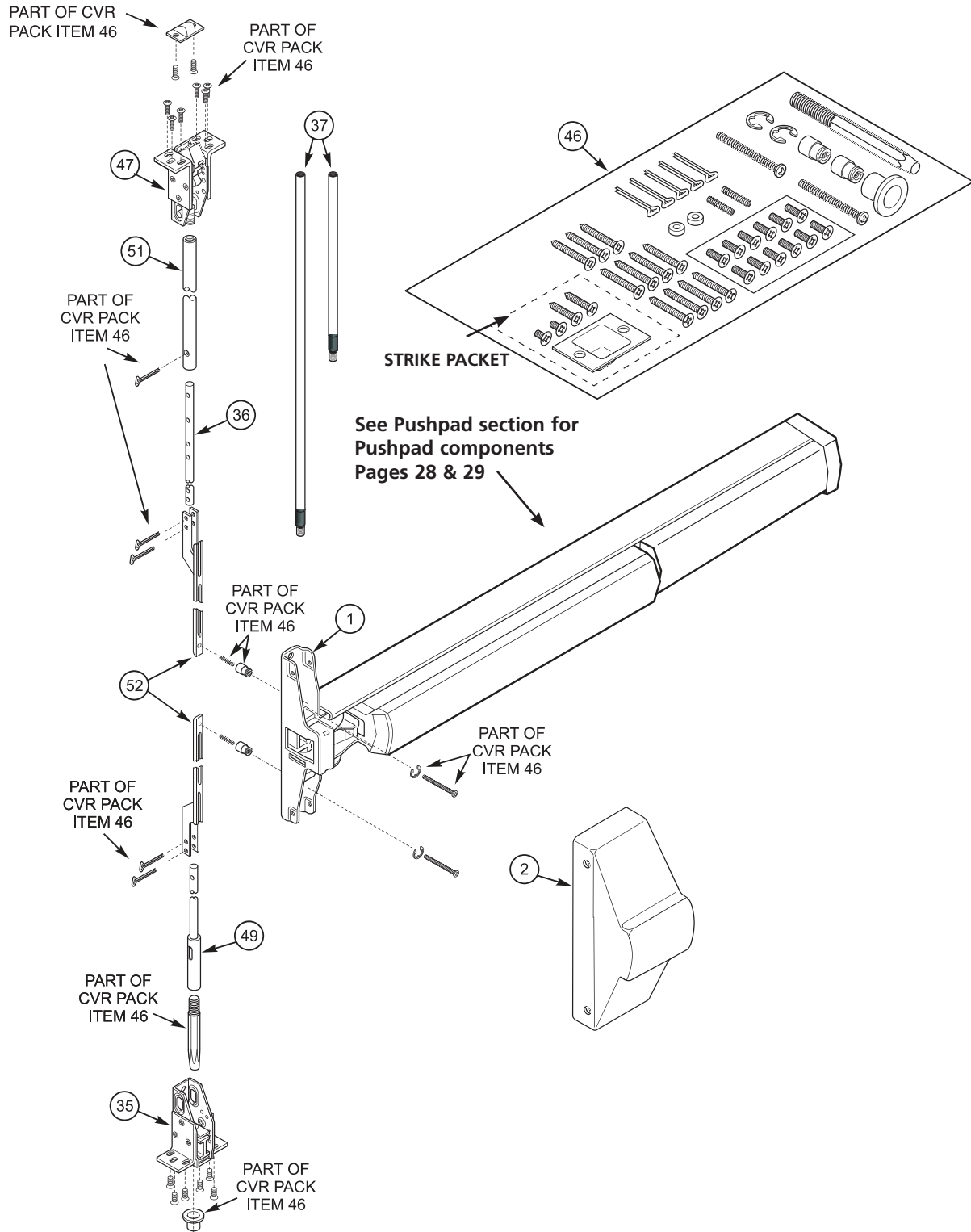
Copyright © 2000-2025, ASSA ABLOY Access and Egress Hardware Group, Inc. All rights reserved. Reproduction in whole or in part without the express written permission of ASSA ABLOY Access and Egress Hardware Group, Inc. is prohibited. Patent pending and/or patent www.assaabloydss.com/patents.

Item No.	Part No.	Description	Qty.	Sellable
1	650F438	Latch Case Assy, ED5860(B) RHR	1	Yes
	650F448	Latch Case Assy, ED5860(B) LHR		Yes
2	650F02 x Fin	Cover, Latch Assy ED5860	1	Yes
	---	Cover, Latch Assy ED5860B		No
35	650F748	Bottom Bolt Case, ED5860	1	Yes
	650F758	Bottom Bolt Case, ED5860B		Yes
36	650F808	Top Rod	1	Yes
37	655F15 x Fin	2" Rod Extension Assy*	1	Yes
	655F16 x Fin	6" Rod Extension Assy*		Yes
	655F17 x Fin	12" Rod Extension Assy		Yes
	684F42 x Fin	24" Rod Extension Assy		Yes
46	698F048	CVR Pack	1	Yes
	681F778	Top Strike Packet	1	Yes
47	681F768	Top Latch & Bracket Assy	1	Yes
49	650F798	Bottom Rod & Coupler Assy	1	Yes
51	650F818	Top Rod Tube	1	Yes
52	707F257	Arm & Bracket Assy	1	Yes
53	654F208	Wood Screw Packet*	2	Yes

* Not Shown

The warranty on Corbin Russwin products becomes void if the product is modified in any way, regardless of whether the modifications causes or contributes to any alleged defect. If a Corbin Russwin product is modified it may no longer meet industry certification and quality control standards applicable to the original product and is no longer a genuine Corbin Russwin product.

Copyright © 2000-2025, ASSA ABLOY Access and Egress Hardware Group, Inc. All rights reserved. Reproduction in whole or in part without the express written permission of ASSA ABLOY Access and Egress Hardware Group, Inc. is prohibited. Patent pending and/or patent www.assaabloydss.com/patents.



The warranty on Corbin Russwin products becomes void if the product is modified in any way, regardless of whether the modifications causes or contributes to any alleged defect. If a Corbin Russwin product is modified it may no longer meet industry certification and quality control standards applicable to the original product and is no longer a genuine Corbin Russwin product.

Copyright © 2000-2025, ASSA ABLOY Access and Egress Hardware Group, Inc. All rights reserved. Reproduction in whole or in part without the express written permission of ASSA ABLOY Access and Egress Hardware Group, Inc. is prohibited. Patent pending and/or patent www.assaabloydss.com/patents.

ED5860(B) x M55 (Less Bottom Rod) Concealed Vertical Rod

ED4000, ED5000 Parts Manual

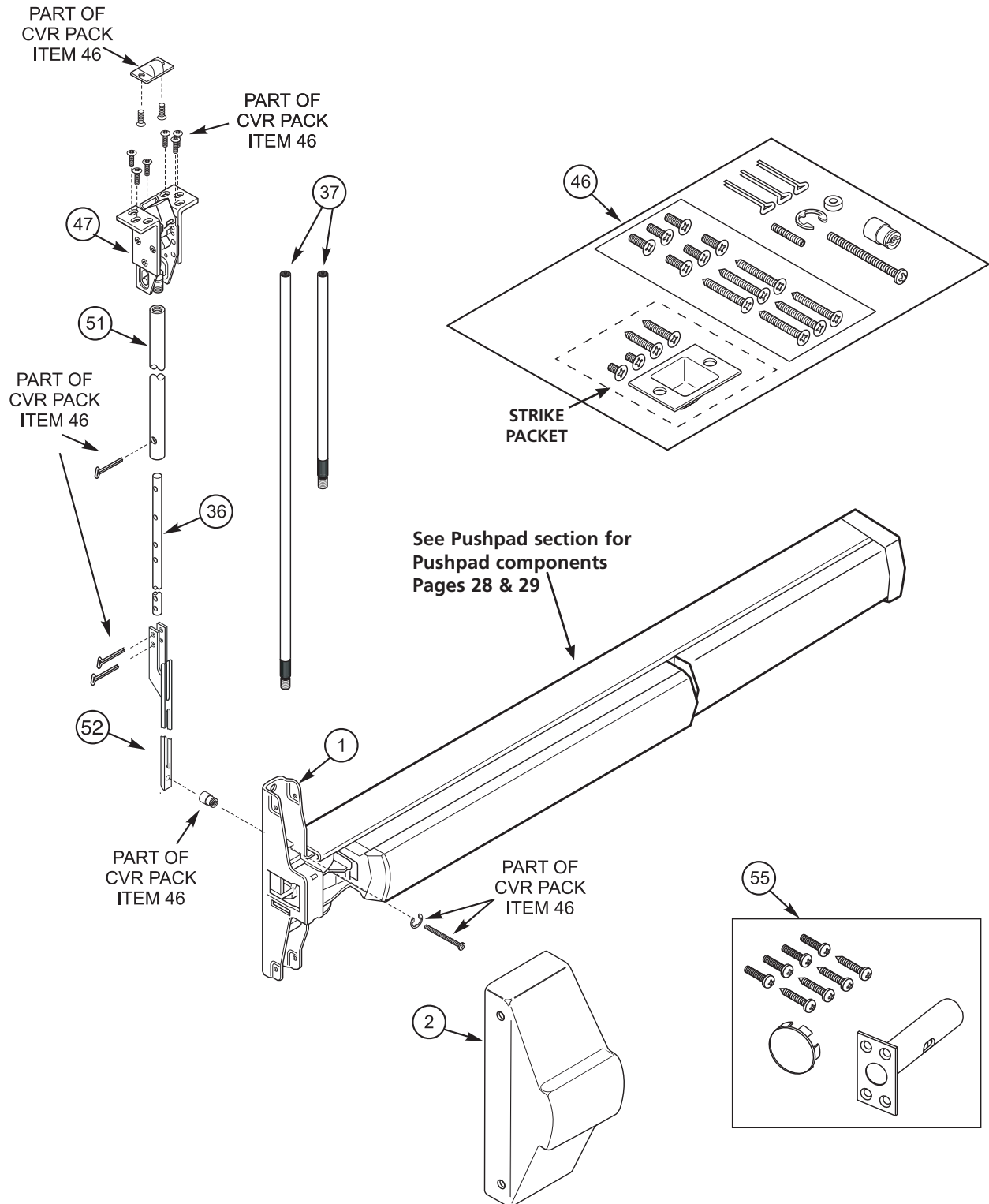
Item No.	Part No.	Description	Qty.	Sellable
1	650F438	Latch Case Assy, ED5860(B) RHR	1	Yes
	650F448	Latch Case Assy, ED5860(B) LHR		Yes
2	650F02 x Fin	Cover, Latch Assy ED5860	1	Yes
	---	Cover, Latch Assy ED5860B		No
36	650F808	Top Rod	1	Yes
37	655F15 x Fin	2" Rod Extension*	1	Yes
	655F16 x Fin	6" Rod Extension*		Yes
	655F17 x Fin	12" Rod Extension		Yes
	684F42 x Fin	24" Rod Extension		Yes
46	698F058	CVR Pack	1	Yes
	681F778	Top Strike Packet	1	Yes
47	681F768	Top Latch & Bracket Assy	1	Yes
51	650F818	Top Rod Tube	1	Yes
52	707F257	Arm & Bracket Assy	1	Yes
55	744F688	Popper Pack (Fire Rated Only)	1	Yes
N/A	654F208	Wood Screw Packet*	2	Yes

* Not Shown

The warranty on Corbin Russwin products becomes void if the product is modified in any way, regardless of whether the modifications causes or contributes to any alleged defect. If a Corbin Russwin product is modified it may no longer meet industry certification and quality control standards applicable to the original product and is no longer a genuine Corbin Russwin product.

Copyright © 2000-2025, ASSA ABLOY Access and Egress Hardware Group, Inc. All rights reserved. Reproduction in whole or in part without the express written permission of ASSA ABLOY Access and Egress Hardware Group, Inc. is prohibited. Patent pending and/or patent www.assaabloydss.com/patents.

ED5860(B) x M55 (Less Bottom Rod) Concealed Vertical Rod



The warranty on Corbin Russwin products becomes void if the product is modified in any way, regardless of whether the modifications causes or contributes to any alleged defect. If a Corbin Russwin product is modified it may no longer meet industry certification and quality control standards applicable to the original product and is no longer a genuine Corbin Russwin product.

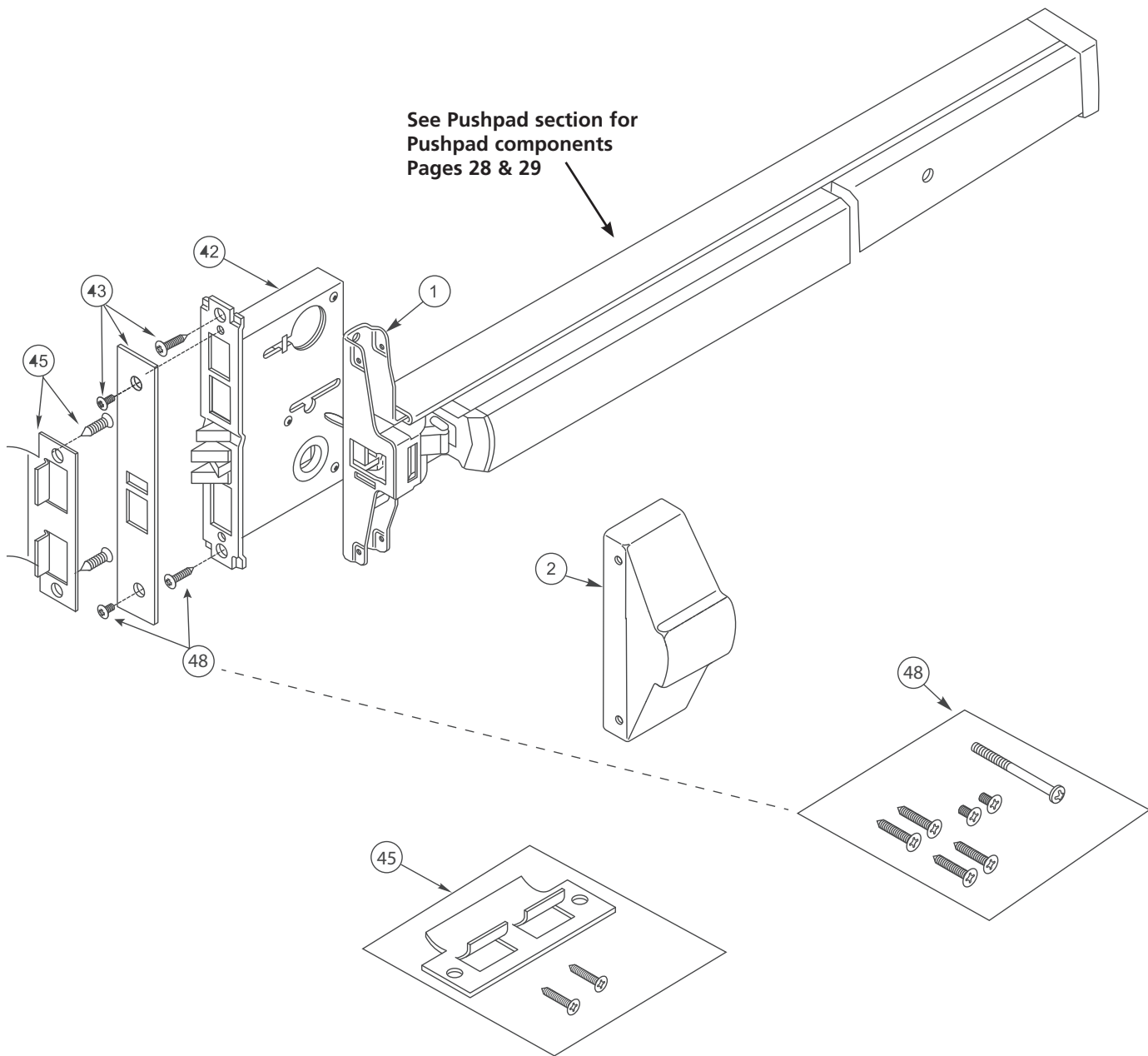
Copyright © 2000-2025, ASSA ABLOY Access and Egress Hardware Group, Inc. All rights reserved. Reproduction in whole or in part without the express written permission of ASSA ABLOY Access and Egress Hardware Group, Inc. is prohibited. Patent pending and/or patent www.assaabloydss.com/patents.

Item No.	Part No.	Description	Qty.	Sellable
1	706F098	Active Head ED5602(A) RHR	1	Yes
	706F108	Active Head ED5602(A) LHR		Yes
	650F428	Active Head ED5000(A)		Yes
2	706F15	Cover ED5602 RHR	1	Yes
	706F16	Cover ED5602 LHR		Yes
	650F02 x Fin	Cover ED5600		Yes
	---	Cover ED5600A		No
42	678F008 x Hand	Mortise Lock Body (T8) ED5655T(A)	1	Yes
	650F678 x Hand	Mortise Lock Body (L5/T5) ED5650, 57L(A)		Yes
	655F488 x Hand	Mortise Lock Body (K8) ED5655K(A)		Yes
	650F698 x Hand	Mortise Lock Body (L8) ED5655L(A)		Yes
43	650F06 x Fin	Armored Front	1	Yes
45	650L657020622	Strike Packet	1	Yes
46	706F485	Cylinder Houseing ED5602(A)*	1	Yes
47	706F462	Mortise Cylinder Adapter ED5602(A)*	1	Yes
48	429F41 x Fin	Mounting Pack	1	Yes
49	653L163016 622	Straight Lip 1-3/4" Open Back Strike	1	Yes
	653L183016 622	Curved Lip 1-3/4" Open Back Strike		Yes
50	654F208	Wood Screw Packet*	1	Yes

* Not Shown

The warranty on Corbin Russwin products becomes void if the product is modified in any way, regardless of whether the modifications causes or contributes to any alleged defect. If a Corbin Russwin product is modified it may no longer meet industry certification and quality control standards applicable to the original product and is no longer a genuine Corbin Russwin product.

Copyright © 2000-2025, ASSA ABLOY Access and Egress Hardware Group, Inc. All rights reserved. Reproduction in whole or in part without the express written permission of ASSA ABLOY Access and Egress Hardware Group, Inc. is prohibited. Patent pending and/or patent www.assaabloydss.com/patents.



The warranty on Corbin Russwin products becomes void if the product is modified in any way, regardless of whether the modifications causes or contributes to any alleged defect. If a Corbin Russwin product is modified it may no longer meet industry certification and quality control standards applicable to the original product and is no longer a genuine Corbin Russwin product.

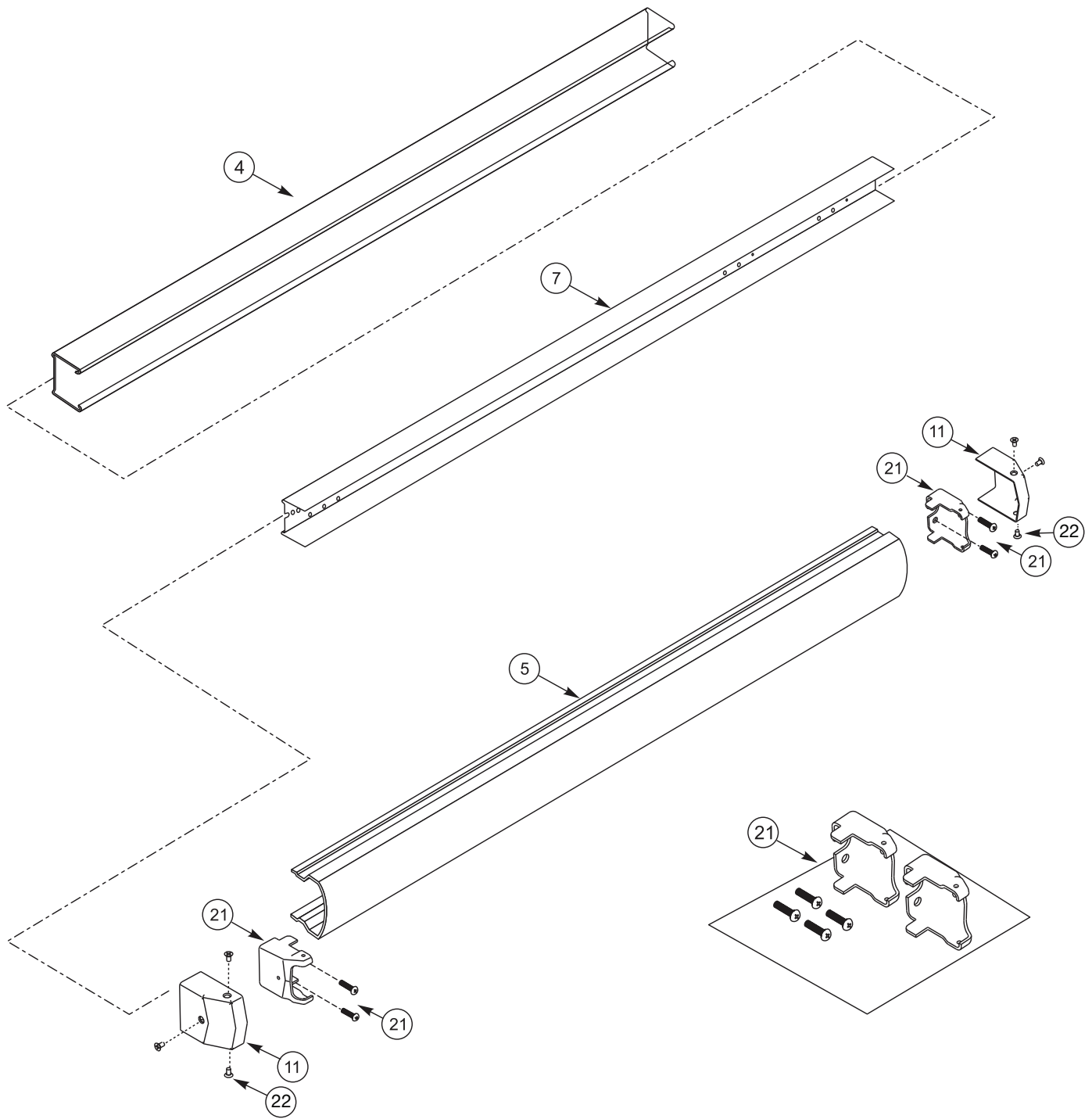
Copyright © 2000-2025, ASSA ABLOY Access and Egress Hardware Group, Inc. All rights reserved. Reproduction in whole or in part without the express written permission of ASSA ABLOY Access and Egress Hardware Group, Inc. is prohibited. Patent pending and/or patent www.assaabloydss.com/patents.

Item No.	Part No.	Description	Qty.	Sellable
4	650F21 x Fin	Bottom Rail 48"	1	Yes
5	650F93 x Fin	Cover	1	Yes
7	650F998	Carrier Bar	1	Yes
11	704F62 x Fin	End Cap	2	Yes
21	704F648	Device Mounting Pack	2	Yes
22	704F63 x Fin	Cover Screw Packet	1	Yes
23	654F208	Wood Screw Packet*	1	Yes

* Not Shown

The warranty on Corbin Russwin products becomes void if the product is modified in any way, regardless of whether the modifications causes or contributes to any alleged defect. If a Corbin Russwin product is modified it may no longer meet industry certification and quality control standards applicable to the original product and is no longer a genuine Corbin Russwin product.

Copyright © 2000-2025, ASSA ABLOY Access and Egress Hardware Group, Inc. All rights reserved. Reproduction in whole or in part without the express written permission of ASSA ABLOY Access and Egress Hardware Group, Inc. is prohibited. Patent pending and/or patent www.assaabloydss.com/patents.



The warranty on Corbin Russwin products becomes void if the product is modified in any way, regardless of whether the modifications causes or contributes to any alleged defect. If a Corbin Russwin product is modified it may no longer meet industry certification and quality control standards applicable to the original product and is no longer a genuine Corbin Russwin product.

Copyright © 2000-2025, ASSA ABLOY Access and Egress Hardware Group, Inc. All rights reserved. Reproduction in whole or in part without the express written permission of ASSA ABLOY Access and Egress Hardware Group, Inc. is prohibited. Patent pending and/or patent www.assaabloydss.com/patents.

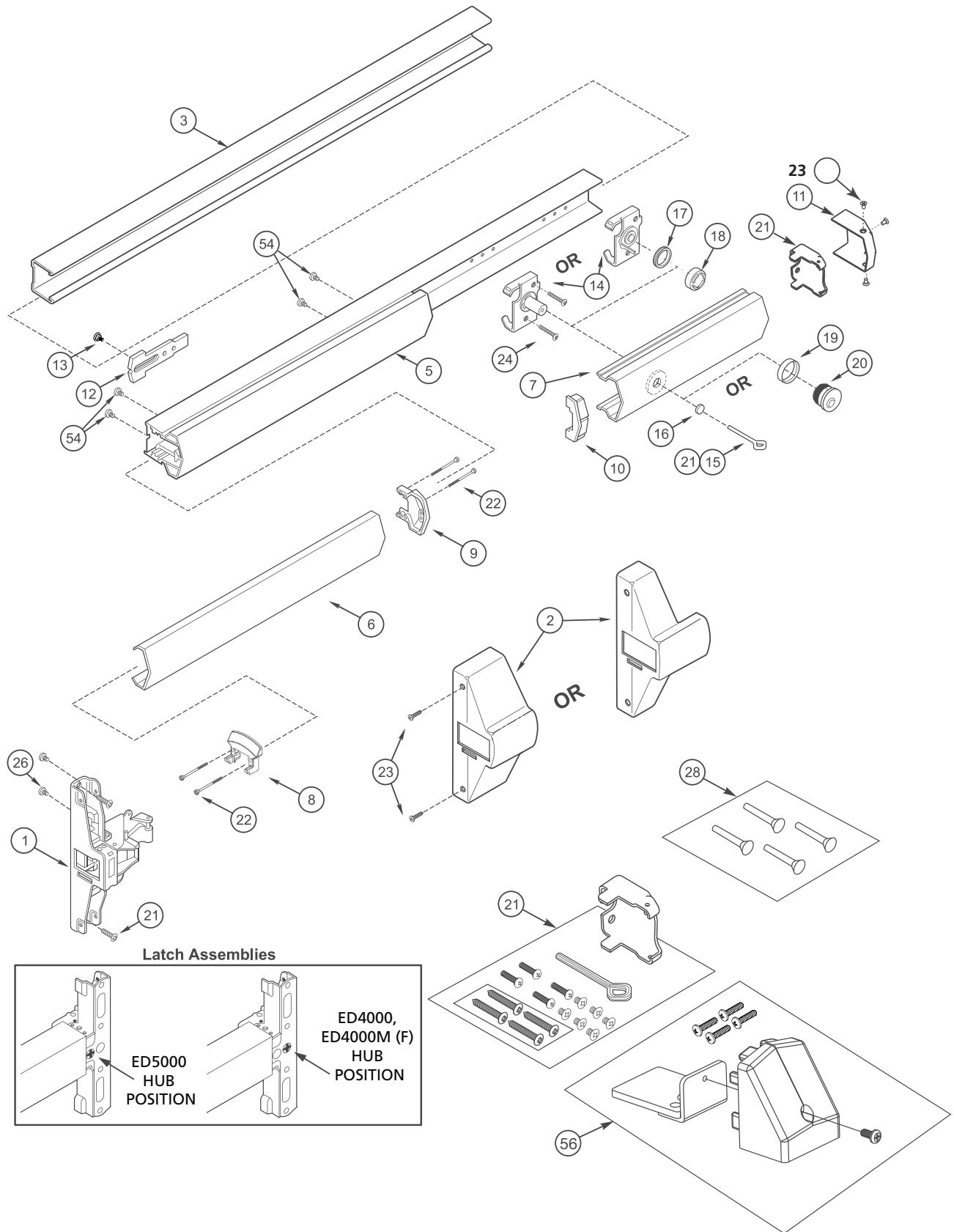
Item No.	Part No.	Description	Qty.	Sellable
1	See specific devices-	Active Heads	1	Yes
2	See specific devices-	Active Heads Covers	1	Yes
3	691F16 x Fin	ED4000 24" Bottom Rail	1	Yes
	656F75 x Fin	ED5000 24" Bottom Rail		Yes
	650F20 x Fin	ED4000 36" Bottom Rail		Yes
	650F19 x Fin	ED5000 36" Bottom Rail		Yes
	650F21 x Fin	ED4000/5000/5000DB 48" Bottom Rail		Yes
5	691F148	ED4000 24" Bar & Carrier Assembly	1	Yes
	656F768	ED5000 24" Bar & Carrier Assembly		Yes
	650F238	ED4000 36" Bar & Carrier Assembly		Yes
	650F228	ED5000 36" Bar & Carrier Assembly		Yes
	650F248	ED4000, ED5000 48" Bar & Carrier Assembly		Yes
	650F998	ED5000DB 48" Bar & Carrier Assembly		Yes
6	656F72 x Fin	ED4000, ED5000 24" Bar Cover	1	Yes
	650F07 x Fin	ED4000, ED5000 36" Bar Cover		Yes
	650F08 x Fin	ED4000, ED5000 48" Bar Cover		Yes
	676F29 x Fin	ED4000, ED5000 24" Bar Cover Embossed M22		Yes
	656F69 x Fin	ED4000, ED5000 36" Bar Cover Embossed M22		Yes
	656F70 x Fin	ED4000, ED5000 48" Bar Cover Embossed M22		Yes
	710F797	ED4000, ED5000 24" Bar Cover Photoluminescent M49		Yes
	710F737	ED4000, ED5000 36" Bar Cover Photoluminescent M49		Yes
	710F747	ED4000, ED5000 48" Bar Cover Photoluminescent M49		Yes
	7	691F15 x Fin		24" ED4000 Hexkey Dogging
691F17 x Fin		24" ED4000 Cylinder Dogging	Yes	
656F73 x Fin		24" ED5000 Hexkey Dogging	Yes	
656F74 x Fin		24" ED5000 Cylinder Dogging	Yes	
650F13 x Fin		36" ED4000 Hexkey Dogging	Yes	
650F14 x Fin		36" ED4000 Cylinder Dogging	Yes	
650F11 x Fin		36" ED5000 Hexkey Dogging	Yes	
650F12 x Fin		36" ED5000 Cylinder Dogging	Yes	
650F15 x Fin		48" ED4000, ED5000 Hexkey Dogging	Yes	
650F16 x Fin		48" ED4000, ED5000 Cylinder Dogging	Yes	
650F93 x Fin		48" ED5000DB	Yes	

Item No.	Part No.	Description	Qty.	Sellable
8	724F278 19 / 622	Touch Pad Cap, Front	1	Yes
9	710F495 / 622	Touch Pad Cap, Rear	1	Yes
10	650F189	Bar Cap, Black Nylon	1	Yes
11	704F62 x Fin	End Cap	1	Yes
	650F489	Trim Slide (Except Mortise)		Yes
12	N/A	Mortise Trim Slide	1	Yes
	716F538	Trim Slide Retainer		Yes
14	650F528	Hexkey (Standard) Dogging Assembly	1	Yes
	650F968	Cylinder Dogging Assembly		Yes
15	656F408	Dogging Key (5/32" Hex)	1	Yes
16	650F279	Dogging Hole Plug	1	Yes
17	697F862	Cylinder Nut	1	Yes
18	650F959	Cylinder Spacer	1	Yes
	None	1-1/8" Cylinder		Yes
	270F15 x Fin	1-1/4" Cylinder		Yes
	610F02 x Fin	1-3/8" Cylinder		Yes
	654F07 x Fin	1-1/2" Cylinder		Yes
20	As Ordered	Mortise Cylinder x A02 Cam	1	Yes
21	704F648	End Clamp Packet (Except SecureBolt)	1	Yes
	704F658	End Clamp Packet (SecureBolt)		Yes
22	650F288 622	Pushpad Caps Screw	4	Yes
23	704F63 x Fin	Screw Pack, End Cap & Active Head Cover	1	Yes
24	711F608	Screw Dogging Assembly	5	Yes
26	650F518	Active Head to Carrier Screw	1	Yes
	652F298 x Fin	Sex Nut Packet ED5200(A)S		Yes
28	681F698 x Fin	SecureBolt ED5200SA	1	Yes
	656F66-9	10-24x1/4" PH Screw		Yes
54	710F00 x Fin	M110 Kit*	1	Yes
	723F448	M110 Clamp Only*		Yes
56	704F888	M109 High Impact End Clamp Kit	1	Yes

* Not Shown

The warranty on Corbin Russwin products becomes void if the product is modified in any way, regardless of whether the modifications causes or contributes to any alleged defect. If a Corbin Russwin product is modified it may no longer meet industry certification and quality control standards applicable to the original product and is no longer a genuine Corbin Russwin product.

Copyright © 2000-2025, ASSA ABLOY Access and Egress Hardware Group, Inc. All rights reserved. Reproduction in whole or in part without the express written permission of ASSA ABLOY Access and Egress Hardware Group, Inc. is prohibited. Patent pending and/or patent www.assaabloydss.com/patents.



The warranty on Corbin Russwin products becomes void if the product is modified in any way, regardless of whether the modifications causes or contributes to any alleged defect. If a Corbin Russwin product is modified it may no longer meet industry certification and quality control standards applicable to the original product and is no longer a genuine Corbin Russwin product.

Copyright © 2000-2025, ASSA ABLOY Access and Egress Hardware Group, Inc. All rights reserved. Reproduction in whole or in part without the express written permission of ASSA ABLOY Access and Egress Hardware Group, Inc. is prohibited. Patent pending and/or patent www.assaabloydss.com/patents.

Item	Part No.	Description	Sellable	
1	Escutcheon Assembly (All other knobs/levers)			
	783F055 x Fin	*910	Yes	
	733F44 x Fin	*910, *950	Yes	
	783F06 x Fin	*955, *959	Yes	
	Escutcheon Assembly (Muséo Levers)			
	733F48 x Fin	*910	Yes	
	733F53 x Fin	*950	Yes	
	733F50 x Fin	*955, *959	Yes	
	2	Lever and Spindle (non-Muséo)		
		677F04 X Fin	Lustra	Yes
677F05 X Fin		Newport	Yes	
677F13 X Fin		Essex	Yes	
677F14 X Fin		Regis	Yes	
677F15 X Fin		Citation	Yes	
677F16 X Fin		Armstrong	Yes	
677F26 X Fin		Dirke RHR	Yes	
677F27 X Fin		Dirke LHR	Yes	
677F28 X Fin		Princeton	Yes	
698F32 X Fin		Merlot	No	
698F64 X Fin		Frascati RHR	Yes	
698F66 X Fin		Frascati LHR	Yes	
698F68 X Fin		Zinfandel RHR	Yes	
698F70 X Fin		Zinfandel LHR	Yes	
Knob & Spindle SA				
656F45 X Fin		Global	Yes	
See Page 62 Muséo Levers				
3		See Pages 63-64	Rim Cylinder	
5		651F675	Cylinder Housing (*955, *959)	Yes
6		655F028	Screw Cylinder Mounting (2)	Yes
7		Included with Cylinder Housing	Function Selector Screw (*955, *959)	Yes
9		651F508	Screw, Tailpiece Plate (2)	Yes

Item	Part No.	Description	Sellable
10	Tailpiece Assembly		
	677F068	1 3/4" Door w/o Shim Kit	Yes
	655F708	2 -2 1/4" Door or Std. Door w/ Shim Kit	Yes
	701F648	2 1/2"-3 1/2" Door	Yes
	701F658	3 1/2"-4 1/2"	Yes
11	Gear, Drive		
	651F648	Lever	Yes
	677F258	Knob	Yes
12	677F085	Hub, Spring Retaining	Yes
14	677F098	Cotter Pin	Yes
15	677F078	Nut, Spindle	Yes
16	Bushing, Nylon		
	677F029	Lever (All except Muséo)	Yes
	651F389	Knob	Yes
	806F069	Lever - Muséo	Yes
17	Screw Pkt., Mtg.		
	652F128 x Fin	1 3/4"-2" Doors	Yes
	652F138 x Fin	2"-2 1/4" Doors	Yes
18	Torsion Springs Not Shown		
	651F618	Lever, LHR (Red)	Yes
	651F628	Lever RHR (Blue)	Yes
	651F758	Knob	Yes
19	651F408	Compression Spring (Under tailpiece)	Yes
21	651F708	Bushing, Spacer	Yes
27	651F768	Groove Pin (Knob Only)	Yes

The warranty on Corbin Russwin products becomes void if the product is modified in any way, regardless of whether the modifications causes or contributes to any alleged defect. If a Corbin Russwin product is modified it may no longer meet industry certification and quality control standards applicable to the original product and is no longer a genuine Corbin Russwin product.

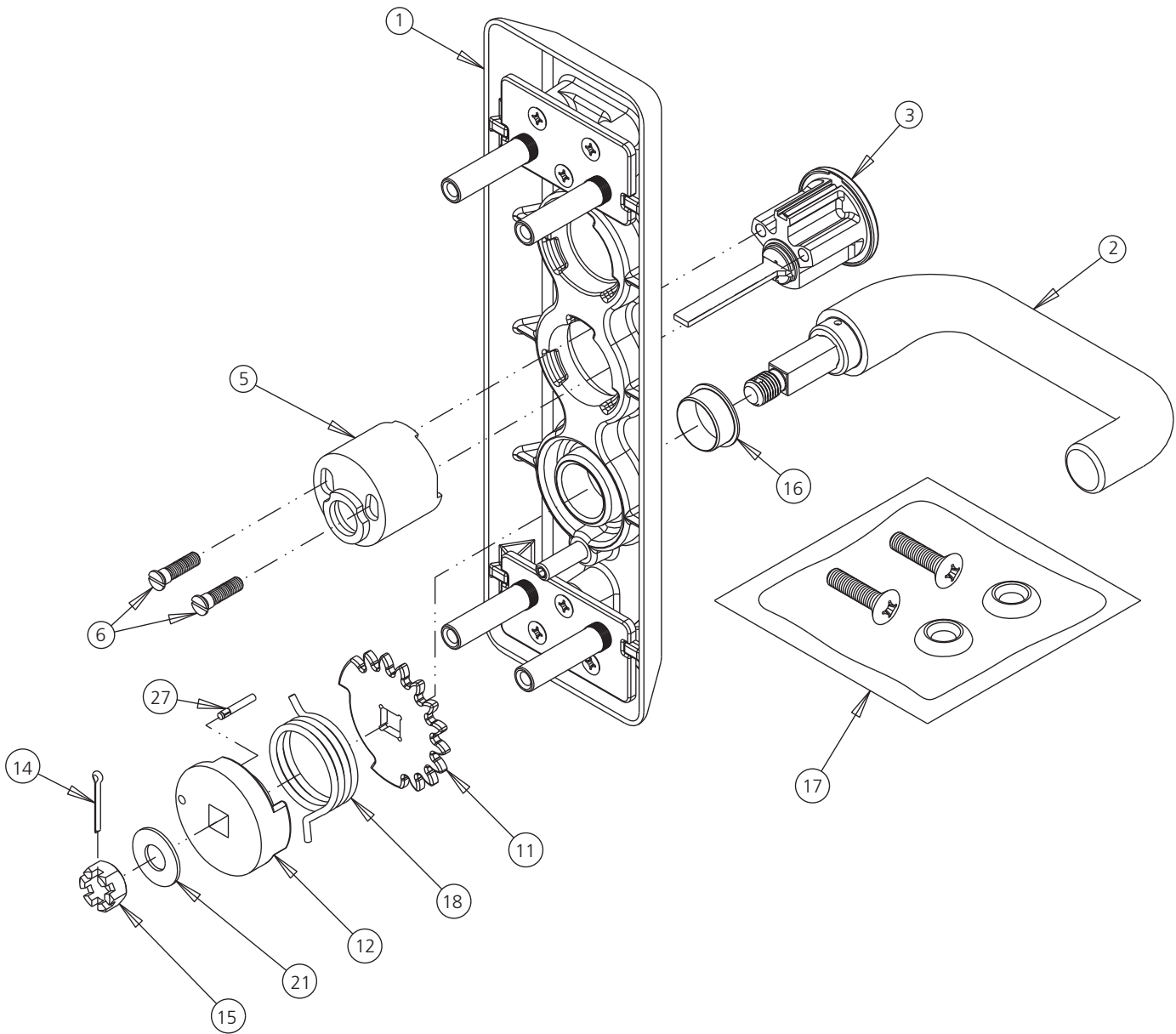
Copyright © 2000-2025, ASSA ABLOY Access and Egress Hardware Group, Inc. All rights reserved. Reproduction in whole or in part without the express written permission of ASSA ABLOY Access and Egress Hardware Group, Inc. is prohibited. Patent pending and/or patent www.assaabloydss.com/patents.

Item	Part No.	Description	Sellable	
1	Escutcheon Assy. 623F, 627F			
	733F47 x Fin	Standard	Yes	
	733F52 x Fin	Muséo	Yes	
2	Lever and Spindle (non-Muséo)			
	677F04 X Fin	Lustra	Yes	
	677F05 X Fin	Newport	Yes	
	677F13 X Fin	Essex	Yes	
	677F14 X Fin	Regis	Yes	
	677F15 X Fin	Citation	Yes	
	677F16 X Fin	Armstrong	Yes	
	677F26 X Fin	Dirke RHR	Yes	
	677F27 X Fin	Dirke LHR	Yes	
	677F28 X Fin	Princeton	Yes	
	698F32 X Fin	Merlot	Yes	
	698F64 X Fin	Frascati RHR	Yes	
	698F66 X Fin	Frascati LHR	Yes	
	698F68 X Fin	Zinfandel RHR	Yes	
	698F70 X Fin	Zinfandel LHR	Yes	
	Knob & Spindle SA			
	656F45 X Fin	Global	Yes	
	See Page 62 Muséo Levers			
	3	See Pages 63-64 Cylinder, Rim		
	5	651F425	Housing, Cylinder	Yes
6	655F028	Screw, Cylinder Mounting (2)	Yes	

Item	Part No.	Description	Sellable
11	651F648	Gear, Drive	Yes
12	677F085	Spring Retainer Hub	Yes
14	677F098	Cotter Pin	Yes
15	677F078	Nut, Spindle	Yes
16	677F029	Bushing Lever	Yes
17	Screw Packet, Mtg.		
	652F128 x Fin	1-3/4" - 2" Doors	Yes
	652F138 x Fin	2-1/4" Doors	Yes
18	Spring, Grip Return		
	651F758	Knob	Yes
	651F628	Lever Return Spring RHR	Yes
	651F618	Lever Return Spring LHR	Yes
27	651F768	Groove Pin (Knob Only)	Yes

The warranty on Corbin Russwin products becomes void if the product is modified in any way, regardless of whether the modifications causes or contributes to any alleged defect. If a Corbin Russwin product is modified it may no longer meet industry certification and quality control standards applicable to the original product and is no longer a genuine Corbin Russwin product.

Copyright © 2000-2025, ASSA ABLOY Access and Egress Hardware Group, Inc. All rights reserved. Reproduction in whole or in part without the express written permission of ASSA ABLOY Access and Egress Hardware Group, Inc. is prohibited. Patent pending and/or patent www.assaabloydss.com/patents.



The warranty on Corbin Russwin products becomes void if the product is modified in any way, regardless of whether the modifications causes or contributes to any alleged defect. If a Corbin Russwin product is modified it may no longer meet industry certification and quality control standards applicable to the original product and is no longer a genuine Corbin Russwin product.

Copyright © 2000-2025, ASSA ABLOY Access and Egress Hardware Group, Inc. All rights reserved. Reproduction in whole or in part without the express written permission of ASSA ABLOY Access and Egress Hardware Group, Inc. is prohibited. Patent pending and/or patent www.assaabloydss.com/patents.

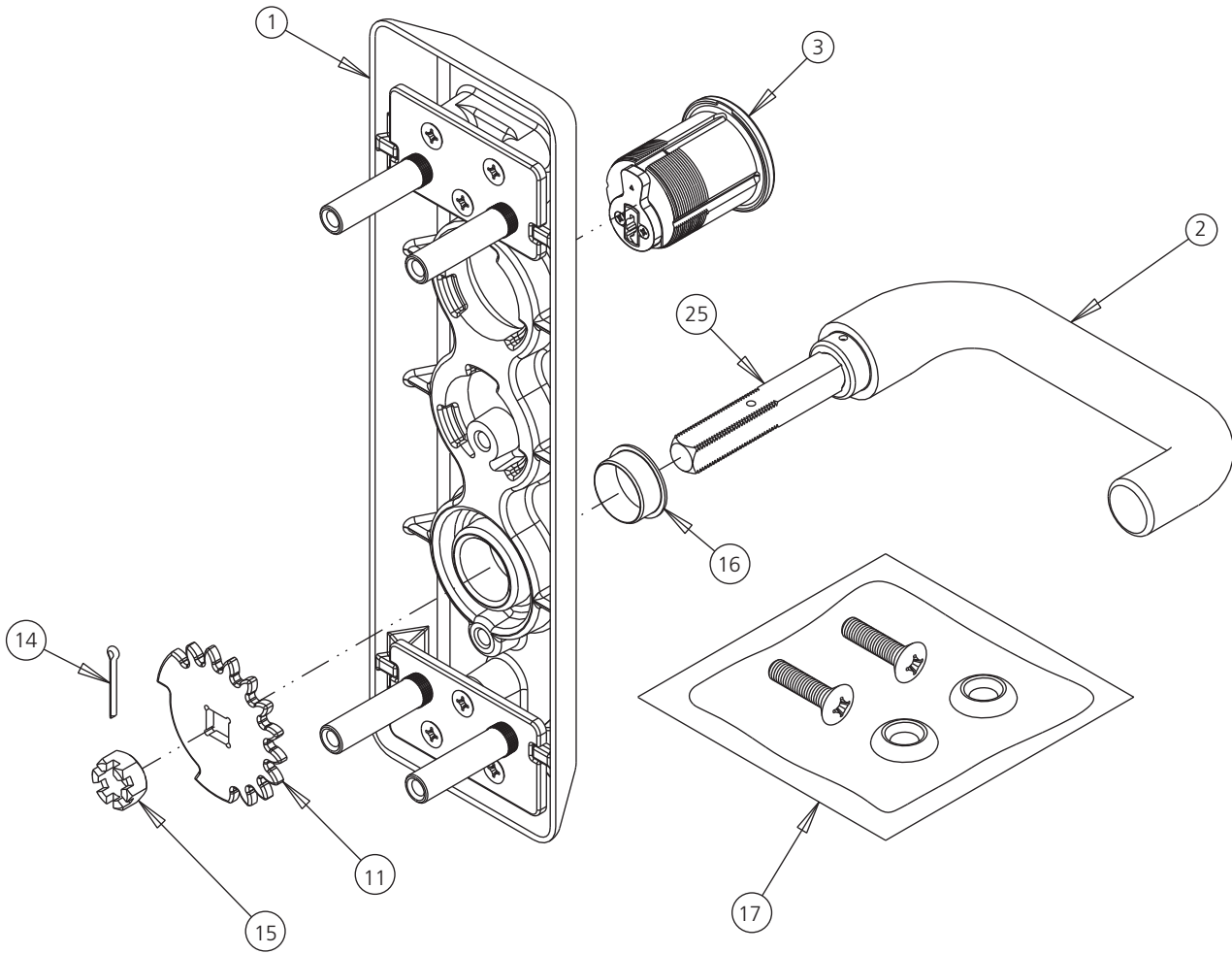
Item	Part No.	Description	Sellable
1	Escutcheon Assembly		
	733F45 x Fin	Cylinder x Lever or Knob	Yes
	733F43 x Fin	Blank x Lever or Knob	Yes
	Escutcheon Assembly Muséo		
	733F51 x Fin	Lever & Cylinder Hole	Yes
	733F49 x Fin	Lever Hole Only	Yes
2	653F50 x Fin	Essex	Yes
	653F53 x Fin	Lustra	Yes
	653F56 x Fin	Regis	Yes
	653F59 x Fin	Citation	Yes
	653F62 x Fin	Dirke RHR	Yes
	653F65 x Fin	Dirke LHR	Yes
	653F68 x Fin	Newport	Yes
	653F71 x Fin	Armstrong	Yes
	653F74 x Fin	Princeton	Yes
	698F34 x Fin	Merlot	Yes
	698F65 x Fin	Frascati RHR	Yes
	698F67 x Fin	Frascati LHR	Yes
	698F69 x Fin	Zinfandel RHR	Yes
	698F71 x Fin	Zinfandel LHR	Yes
		See Page 62	Muséo Levers
3	See Pages 63-64	Cylinder, Mortise*	
11	651F648	Gear	Yes
14	677F098	Cotter Pin	Yes
15	698F088	Nut, Spindle	Yes
16	Thimble Insert, Nylon		
	677F029	Levers	Yes
	651F389	Knob	Yes
	806F069	Muséo	Yes
17	Screw Packet, Mtg.		
	652F128 x Fin	1-3/4" - 2" Doors	Yes
	652F138 x Fin	2-1/4" Doors	Yes
	Consists of the following: Screw, 1/4-20 x 1 OPHMS (2) Washer, #14 Finish (2)		
25	Spindle		
	698F108	1-3/4" - 2-1/4"	Yes

The warranty on Corbin Russwin products becomes void if the product is modified in any way, regardless of whether the modifications causes or contributes to any alleged defect. If a Corbin Russwin product is modified it may no longer meet industry certification and quality control standards applicable to the original product and is no longer a genuine Corbin Russwin product.

Copyright © 2000-2025, ASSA ABLOY Access and Egress Hardware Group, Inc. All rights reserved. Reproduction in whole or in part without the express written permission of ASSA ABLOY Access and Egress Hardware Group, Inc. is prohibited. Patent pending and/or patent www.assaabloydss.com/patents.

*9M10, *9M50, *9M55,
*9M57 Trim

ED4000, ED5000 Parts Manual



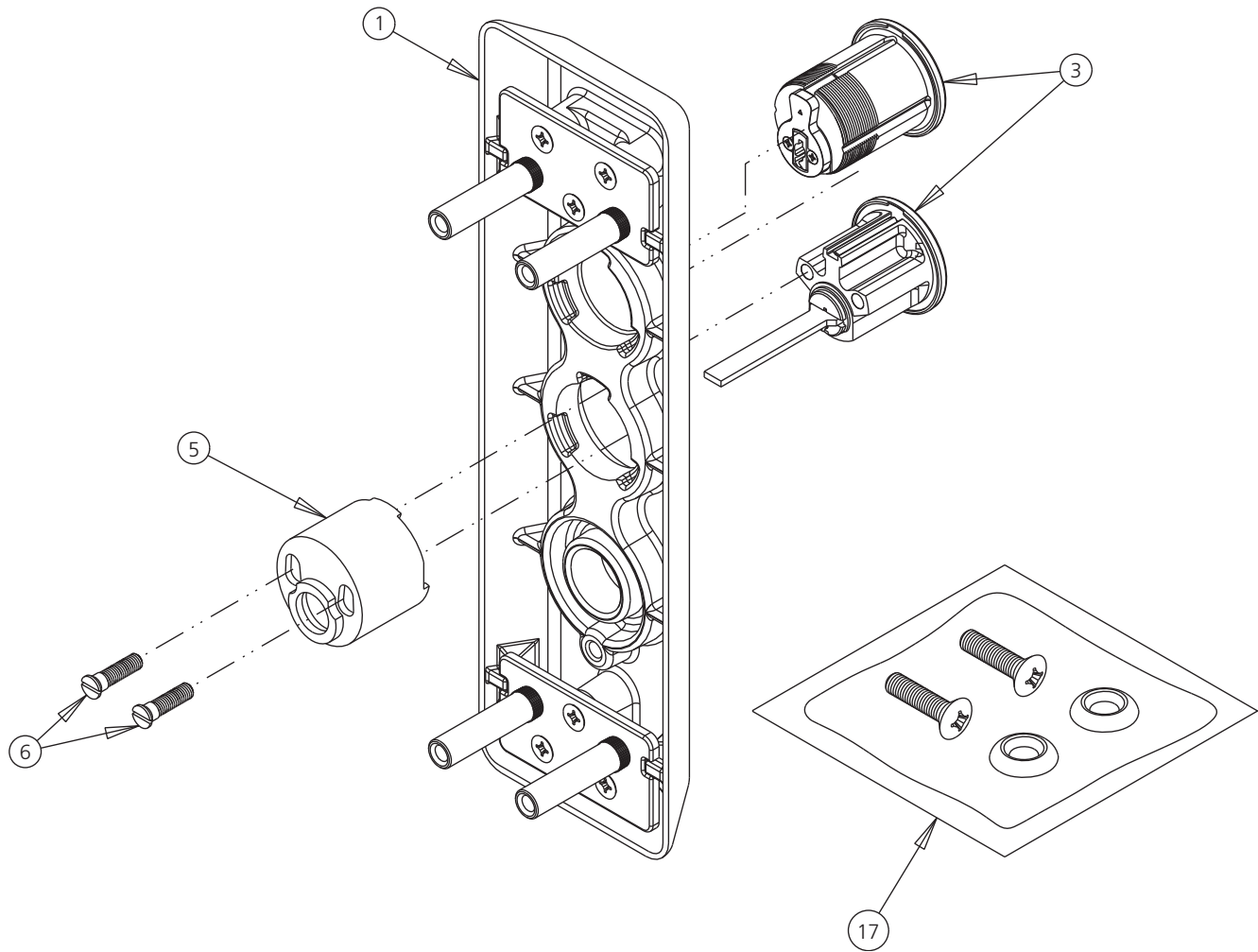
The warranty on Corbin Russwin products becomes void if the product is modified in any way, regardless of whether the modifications causes or contributes to any alleged defect. If a Corbin Russwin product is modified it may no longer meet industry certification and quality control standards applicable to the original product and is no longer a genuine Corbin Russwin product.




Copyright © 2000-2025, ASSA ABLOY Access and Egress Hardware Group, Inc. All rights reserved. Reproduction in whole or in part without the express written permission of ASSA ABLOY Access and Egress Hardware Group, Inc. is prohibited. Patent pending and/or patent www.assaabloydss.com/patents.

Item	Part No.	Description	Sellable
1	Escutcheon Assembly		
	733F41 x Fin	F950	Yes
	733F42 x Fin	F957	Yes
	733F46 x Fin	F9M57	Yes
3	See Pages 63-64	Cylinder, Rim or Mortise	
5	651F425	Housing, Cylinder F957	Yes
6	655F028	Screw, Cylinder F957 Mounting (2)	Yes
17	Screw Packet, Mtg.		
	652F128 x Fin	1-3/4" - 2" Door	Yes
	652F138 x Fin	2-1/4" Door	Yes
	Consists of the following: Screw, 1/4-20 x 1 OPHMS (2) Washer, #14 Finish (2)		

The warranty on Corbin Russwin products becomes void if the product is modified in any way, regardless of whether the modifications causes or contributes to any alleged defect. If a Corbin Russwin product is modified it may no longer meet industry certification and quality control standards applicable to the original product and is no longer a genuine Corbin Russwin product.

Copyright © 2000-2025, ASSA ABLOY Access and Egress Hardware Group, Inc. All rights reserved. Reproduction in whole or in part without the express written permission of ASSA ABLOY Access and Egress Hardware Group, Inc. is prohibited. Patent pending and/or patent www.assaabloydss.com/patents.



		
(EO) Blank Plate	(NL) Access by Key	(NL) Access by Key
01	03	07
F950	F957	F9M57

The warranty on Corbin Russwin products becomes void if the product is modified in any way, regardless of whether the modifications causes or contributes to any alleged defect. If a Corbin Russwin product is modified it may no longer meet industry certification and quality control standards applicable to the original product and is no longer a genuine Corbin Russwin product.

Copyright © 2000-2025, ASSA ABLOY Access and Egress Hardware Group, Inc. All rights reserved. Reproduction in whole or in part without the express written permission of ASSA ABLOY Access and Egress Hardware Group, Inc. is prohibited. Patent pending and/or patent www.assaabloydss.com/patents.

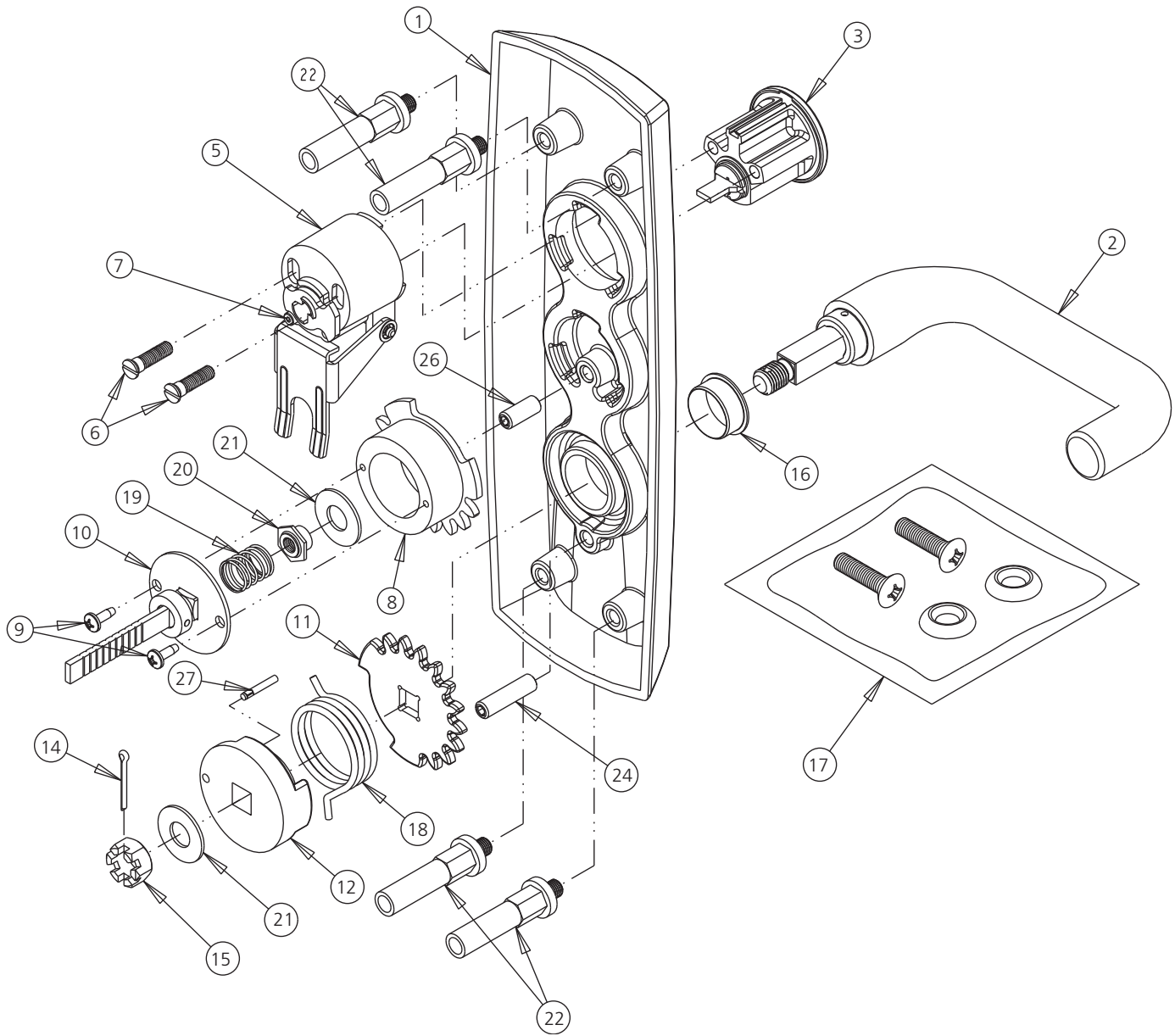
Item	Part No.	Description	Sellable	
1	Parabolic Escutcheon (All other knobs/levers)			
	708F26 x Fin	*910, *950	Yes	
	708F23 x Fin	*955, *959	Yes	
	Parabolic Escutcheon (Muséo Levers)			
	806F03 x Fin	*910, *950	Yes	
	806F04 x Fin	*955, *959	Yes	
2	Lever and Spindle (non-Muséo)			
	677F04 X Fin	Lustra	Yes	
	677F05 X Fin	Newport	Yes	
	677F13 X Fin	Essex	Yes	
	677F14 X Fin	Regis	Yes	
	677F15 X Fin	Citation	Yes	
	677F16 X Fin	Armstrong	Yes	
	677F26 X Fin	Dirke RHR	Yes	
	677F27 X Fin	Dirke LHR	Yes	
	677F28 X Fin	Princeton	Yes	
	698F32 X Fin	Merlot	Yes	
	698F64 X Fin	Frascati RHR	Yes	
	698F66 X Fin	Frascati LHR	Yes	
	698F68 X Fin	Zinfandel RHR	Yes	
	698F70 X Fin	Zinfandel LHR	Yes	
	Knob & Spindle SA			
		656F45 X Fin	Global	Yes
		See Page 62	Muséo Levers	
	3	See Pages 63-64	Rim Cylinder	
5	651F675	Cylinder Housing (*955, *959)	Yes	
6	655F028	Screw Cylinder Mounting (2)	Yes	
7	Included with Cylinder Housing	Function Selector Screw (*955, *959)		
8	651F638	Gear Assembly - Driven	Yes	
9	651F508	Screw, Tailpiece Plate (2)	Yes	

Item	Part No.	Description	Sellable
10	Tailpiece Assembly		
	677F068	1 3/4" Door w/o Shim Kit	Yes
	655F708	2 -2 1/4" Door or Std. Door w/Shim Kit	Yes
	701F648	2 1/2"-3 1/2" Door	Yes
	701F658	3 1/2"-4 1/2"	Yes
11	Gear, Drive		
	651F648	Lever	Yes
	677F258	Knob	Yes
12	677F085	Hub, Spring Retaining	Yes
14	677F098	Cotter Pin	Yes
15	677F078	Nut, Spindle	
16	Bushing, Nylon		
	677F029	Lever (All except Muséo)	Yes
	651F389	Knob	Yes
	806F069	Lever - Muséo	Yes
17	Screw Pkt., Mtg.		
	652F128 x Fin	1 3/4"-2" Doors	Yes
	652F138 x Fin	2"-2 1/4" Doors	Yes
18	Torsion Springs		
	651F618	Lever, LHR (Red)	Yes
	651F628	Lever RHR (Blue)	Yes
	651F758	Knob	Yes
19	651F408	Compression Spring (Under tailpiece)	Yes
20	651F398	Hex Nut Bushing for Spring	Yes
21	651F708	Bushing, Spacer	Yes
22	783F048	Threaded Post (4)	Yes
24	677F128	Set Screw (1) 1/4"-20 x 1"	Yes
26	677F118	Set Screw (10 1/4"-20 x 5/8" (hex nut bushing)	Yes
27	651F768	Groove Pin (Knob Only)	Yes

The warranty on Corbin Russwin products becomes void if the product is modified in any way, regardless of whether the modifications causes or contributes to any alleged defect. If a Corbin Russwin product is modified it may no longer meet industry certification and quality control standards applicable to the original product and is no longer a genuine Corbin Russwin product.

Copyright © 2000-2025, ASSA ABLOY Access and Egress Hardware Group, Inc. All rights reserved. Reproduction in whole or in part without the express written permission of ASSA ABLOY Access and Egress Hardware Group, Inc. is prohibited. Patent pending and/or patent www.assaabloydss.com/patents.





The warranty on Corbin Russwin products becomes void if the product is modified in any way, regardless of whether the modifications causes or contributes to any alleged defect. If a Corbin Russwin product is modified it may no longer meet industry certification and quality control standards applicable to the original product and is no longer a genuine Corbin Russwin product.

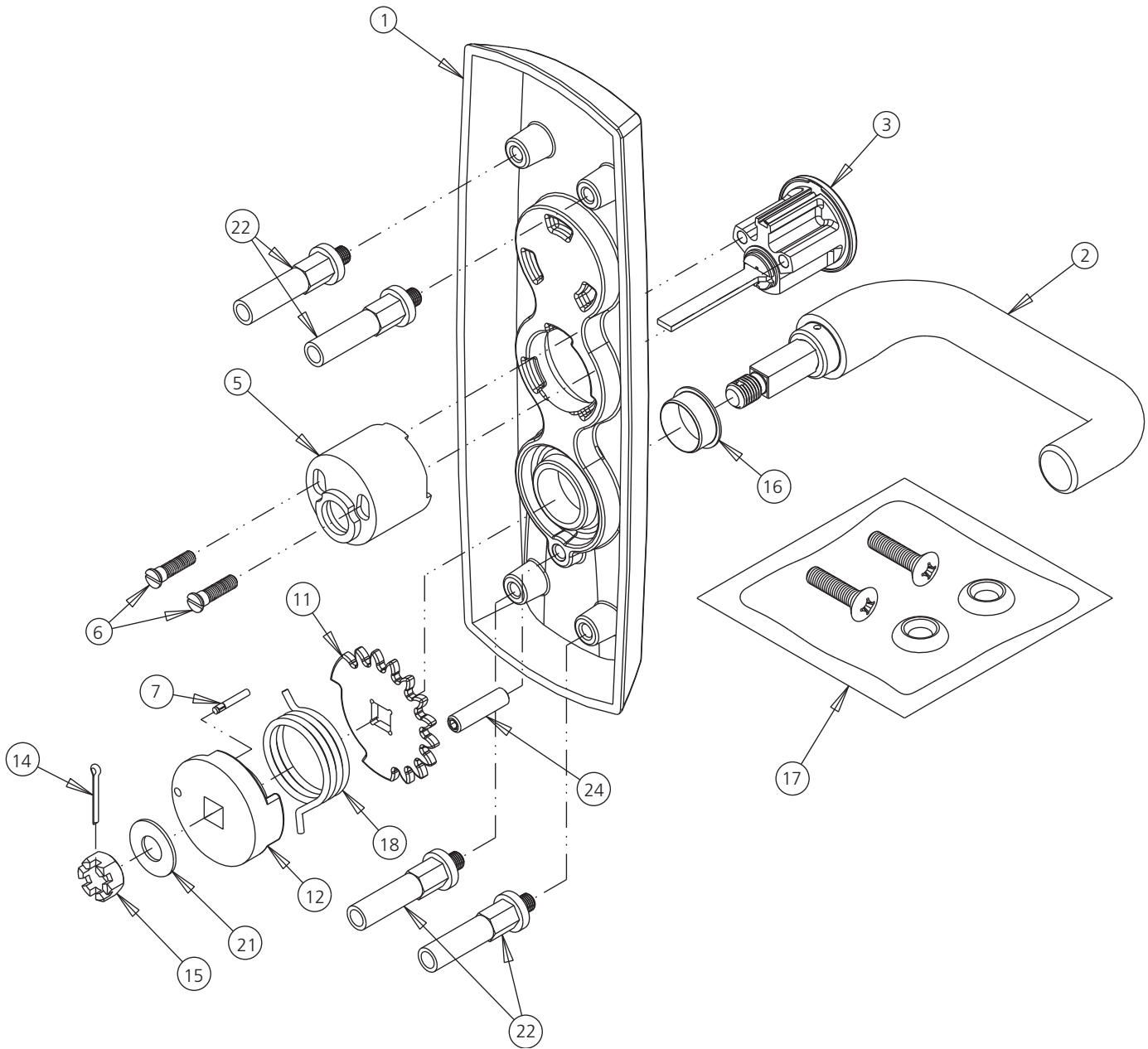
Copyright © 2000-2025, ASSA ABLOY Access and Egress Hardware Group, Inc. All rights reserved. Reproduction in whole or in part without the express written permission of ASSA ABLOY Access and Egress Hardware Group, Inc. is prohibited. Patent pending and/or patent www.assaabloydss.com/patents.

Item	Part No.	Description	Sellable	
1	708F25 x Fin	Standard Parabolic Escutcheon	Yes	
	806F05 x Fin	Muséo Parabolic Escutcheon	Yes	
	Lever and Spindle (non-Muséo)			
	677F04 X Fin	Lustra	Yes	
	677F05 X Fin	Newport	Yes	
	677F13 X Fin	Essex	Yes	
	677F14 X Fin	Regis	Yes	
	677F15 X Fin	Citation	Yes	
	677F16 X Fin	Armstrong	Yes	
	677F26 X Fin	Dirke RHR	Yes	
2	677F27 X Fin	Dirke LHR	Yes	
	677F28 X Fin	Princeton	Yes	
	698F32 X Fin	Merlot	Yes	
	698F64 X Fin	Frascati RHR	Yes	
	698F66 X Fin	Frascati LHR	Yes	
	698F68 X Fin	Zinfandel RHR	Yes	
	698F70 X Fin	Zinfandel LHR	Yes	
		Knob & Spindle SA		
		656F45 X Fin	Global	Yes
		See Page 62	Muséo Levers	
3	See Pages 63-64	Cylinder, Rim		
5	651F425	Housing, Cylinder	Yes	

Item	Part No.	Description	Sellable
6	655F028	Screw, Cylinder Mounting (2)	Yes
11	651F648	Gear, Drive	Yes
12	677F085	Spring Retainer Hub	Yes
14	677F098	Cotter Pin	Yes
15	677F078	Nut, Spindle	Yes
16	677F029	Bushing Lever	Yes
	Screw Packet, Mtg.		
17	652F128 x Fin	1-3/4" - 2" Doors	Yes
	652F138 x Fin	2-1/4" Doors	Yes
	Spring, Grip Return		
18	651F758	Knob	Yes
	651F628	Lever Return Spring RHR	Yes
	651F618	Lever Return Spring LHR	Yes
22	783F048	Threaded Post (4)	Yes
24	677F128	Set screw (1) 1/4" -2Dx1"	Yes
27	651F768	Groove Pin (Knob Only) Not Shown	Yes

The warranty on Corbin Russwin products becomes void if the product is modified in any way, regardless of whether the modifications causes or contributes to any alleged defect. If a Corbin Russwin product is modified it may no longer meet industry certification and quality control standards applicable to the original product and is no longer a genuine Corbin Russwin product.

Copyright © 2000-2025, ASSA ABLOY Access and Egress Hardware Group, Inc. All rights reserved. Reproduction in whole or in part without the express written permission of ASSA ABLOY Access and Egress Hardware Group, Inc. is prohibited. Patent pending and/or patent www.assaabloydss.com/patents.



The warranty on Corbin Russwin products becomes void if the product is modified in any way, regardless of whether the modifications causes or contributes to any alleged defect. If a Corbin Russwin product is modified it may no longer meet industry certification and quality control standards applicable to the original product and is no longer a genuine Corbin Russwin product.

Copyright © 2000-2025, ASSA ABLOY Access and Egress Hardware Group, Inc. All rights reserved. Reproduction in whole or in part without the express written permission of ASSA ABLOY Access and Egress Hardware Group, Inc. is prohibited. Patent pending and/or patent www.assaabloydss.com/patents.

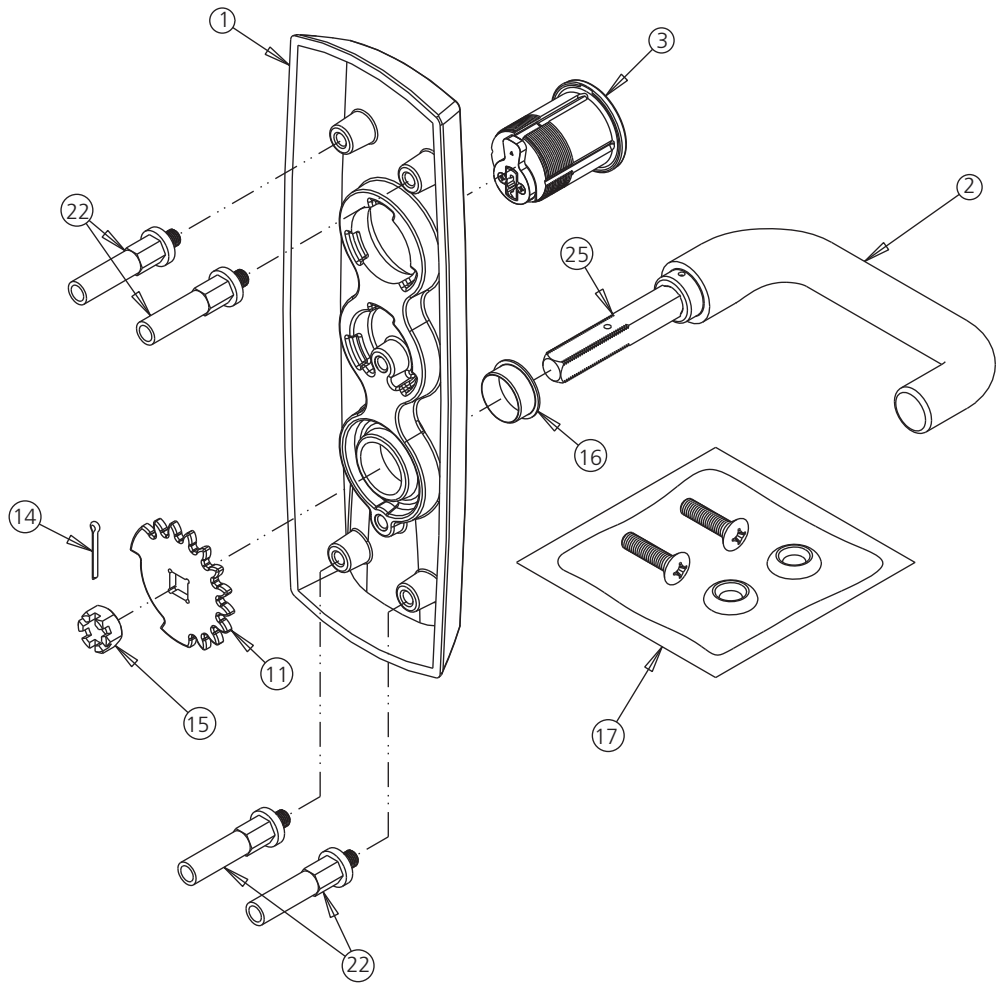
Item	Part No.	Description	Sellable
1	Parabolic Escutcheon Assembly		
	708F23 x Fin	Cylinder x Lever	Yes
	708F26 x Fin	Blank x Lever	
	Parabolic Escutcheon Muséo		
	806F04 x Fin	Lever & Cylinder Hole	Yes
2	806F03 x Fin	Lever Hole Only	Yes
	653F50 x Fin	Essex	Yes
	653F53 x Fin	Lustra	Yes
	653F56 x Fin	Regis	Yes
	653F59 x Fin	Citation	Yes
	653F62 x Fin	Dirke RHR	Yes
	653F65 x Fin	Dirke LHR	Yes
	653F68 x Fin	Newport	Yes
	653F71 x Fin	Armstrong	Yes
	653F74 x Fin	Princeton	Yes
	698F34 x Fin	Merlot	Yes
	698F65 x Fin	Frascati RHR	Yes
	698F67 x Fin	Frascati LHR	Yes
	698F69 x Fin	Zinfandel RHR	Yes
	698F71 x Fin	Zinfandel LHR	Yes
	See Page 62	Muséo Levers	
3	See Pages 63-64	Cylinder, Mortise	
11	651F648	Gear	Yes
14	677F098	Cotter Pin	Yes
15	698F088	Nut, Spindle	Yes
16	Thimble Insert, Nylon		
	677F029	Levers	Yes
	651F389	Knob	Yes
	806F069	Muséo	Yes
17	Screw Packet, Mtg.		
	652F128 x Fin	1-3/4" - 2" Doors	Yes
	652F138 x Fin	2-1/4" Doors	Yes
	Consists of the following: Screw, 1/4-20 x 1 OPHMS (2) Washer, #14 Finish (2)		
22	783F048	Threaded Post (4)	Yes
25	Spindle		
	698F108	1-3/4" - 2-1/4"	Yes

The warranty on Corbin Russwin products becomes void if the product is modified in any way, regardless of whether the modifications causes or contributes to any alleged defect. If a Corbin Russwin product is modified it may no longer meet industry certification and quality control standards applicable to the original product and is no longer a genuine Corbin Russwin product.

Copyright © 2000-2025, ASSA ABLOY Access and Egress Hardware Group, Inc. All rights reserved. Reproduction in whole or in part without the express written permission of ASSA ABLOY Access and Egress Hardware Group, Inc. is prohibited. Patent pending and/or patent www.assaabloydss.com/patents.

*9M10, *9M50, *9M55,
*9M57 Parabolic Trim

ED4000, ED5000 Parts Manual



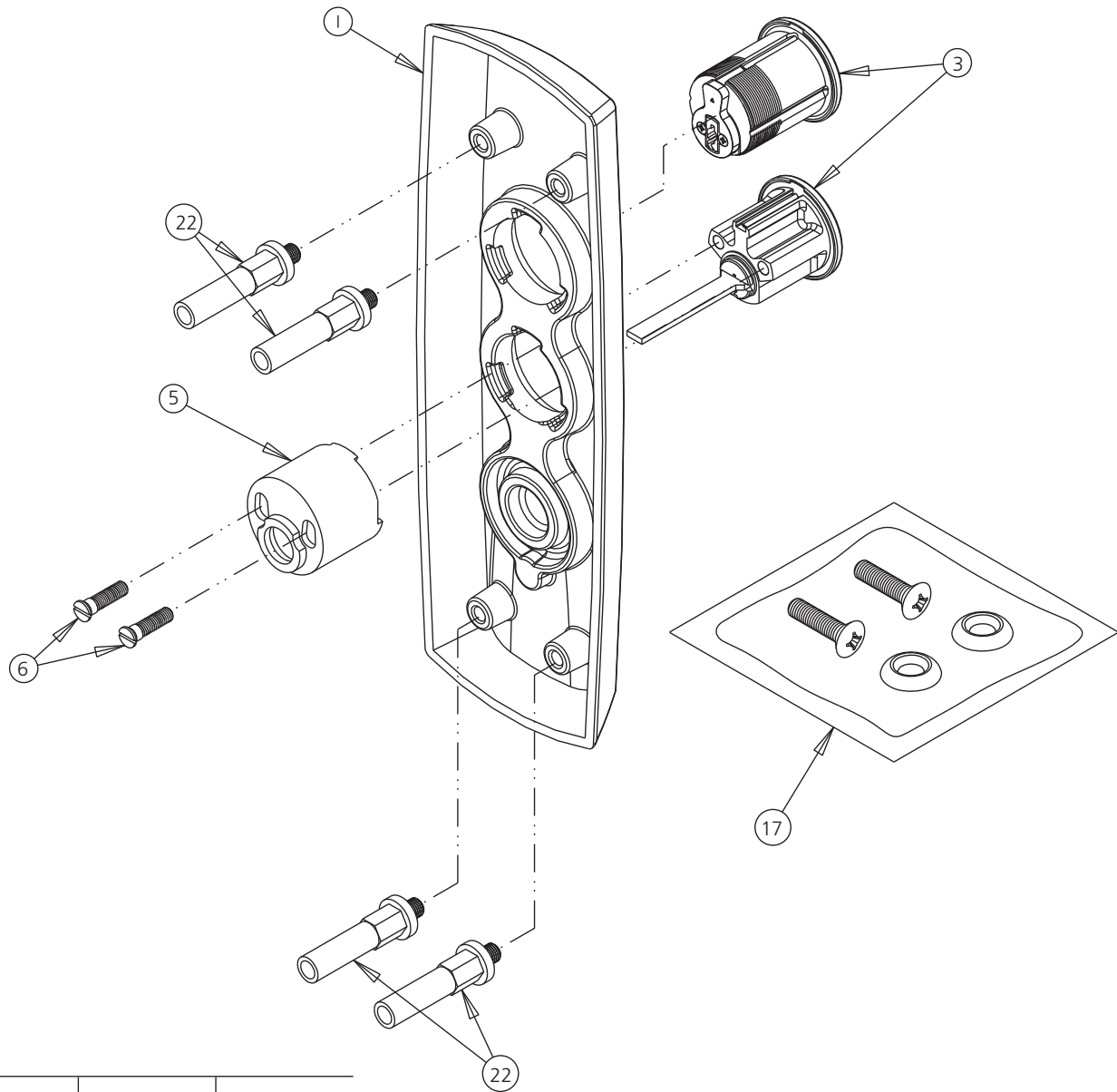
The warranty on Corbin Russwin products becomes void if the product is modified in any way, regardless of whether the modifications causes or contributes to any alleged defect. If a Corbin Russwin product is modified it may no longer meet industry certification and quality control standards applicable to the original product and is no longer a genuine Corbin Russwin product.




Copyright © 2000-2025, ASSA ABLOY Access and Egress Hardware Group, Inc. All rights reserved. Reproduction in whole or in part without the express written permission of ASSA ABLOY Access and Egress Hardware Group, Inc. is prohibited. Patent pending and/or patent www.assaabloydss.com/patents.

Item	Part No.	Description	Sellable
1	Parabolic Escutcheon		
	708F20 x Fin	F950	Yes
	708F24 x Fin	F957	Yes
	708F22 x Fin	F9M57	Yes
3	See Pages 63-64	Cylinder, Rim or Mortise	
5	651F425	Housing, Cylinder F957	Yes
6	655F028	Screw, Cylinder F957 Mounting (2)	Yes
17	Screw Packet, Mtg.		
	652F128 x Fin	1-3/4" - 2" DOor	Yes
	652F138 x Fin	2-1/4" Door	Yes
	Consists of the following: Screw, 1/4-20 x 1 OPHMS (2) Washer, #14 Finish (2)		
22	783F048	Threaded Post (4)	Yes

The warranty on Corbin Russwin products becomes void if the product is modified in any way, regardless of whether the modifications causes or contributes to any alleged defect. If a Corbin Russwin product is modified it may no longer meet industry certification and quality control standards applicable to the original product and is no longer a genuine Corbin Russwin product.

Copyright © 2000-2025, ASSA ABLOY Access and Egress Hardware Group, Inc. All rights reserved. Reproduction in whole or in part without the express written permission of ASSA ABLOY Access and Egress Hardware Group, Inc. is prohibited. Patent pending and/or patent www.assaabloydss.com/patents.



		
(EO) Blank Plate	(NL) Access by Key	(NL) Access by Key
01	03	07
F950	F957	F9M57

The warranty on Corbin Russwin products becomes void if the product is modified in any way, regardless of whether the modifications causes or contributes to any alleged defect. If a Corbin Russwin product is modified it may no longer meet industry certification and quality control standards applicable to the original product and is no longer a genuine Corbin Russwin product.

Copyright © 2000-2025, ASSA ABLOY Access and Egress Hardware Group, Inc. All rights reserved. Reproduction in whole or in part without the express written permission of ASSA ABLOY Access and Egress Hardware Group, Inc. is prohibited. Patent pending and/or patent www.assaabloydss.com/patents.

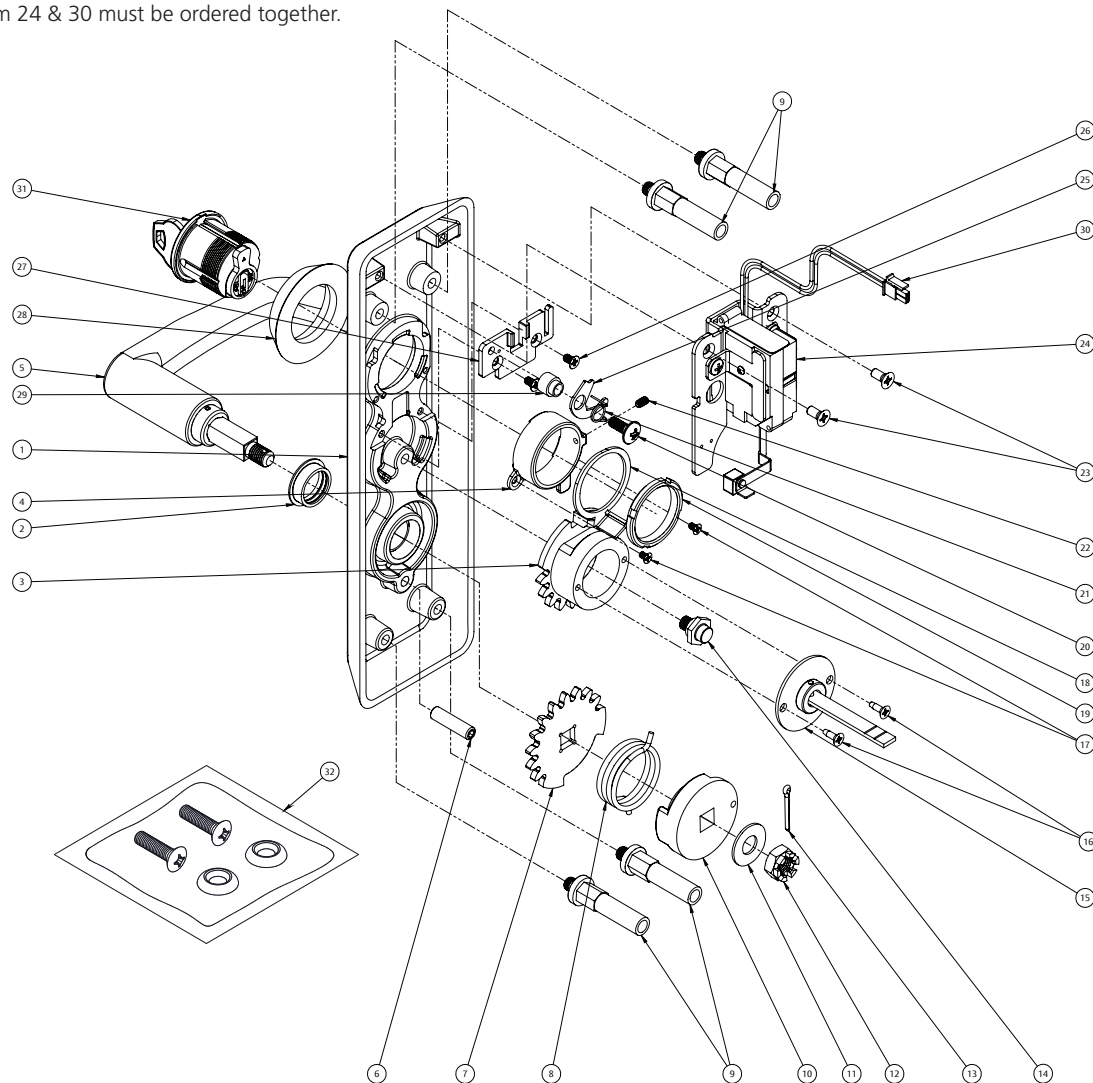
ITEM	PART #	DESCRIPTION	SELLABLE
1	891F912 x Fin	Escutcheon HD	Yes
	891F922 x Fin	Escutcheon HD - Designer Levers	Yes
	891F932 x Fin	Escutcheon M60	Yes
	891F942 x Fin	Escutcheon M60 - Designer Levers	Yes
2	118F299	Bushing	Yes
	806F069	Bushing - Designer Levers	Yes
3	891F029	Gear SA, Driven	Yes
4	891F075	Spacer, Cylinder	Yes
5	677F04 x Fin	Lustra Lever Assembly	Yes
	677F05 x Fin	Newport Lever Assembly	Yes
	677F13 x Fin	Essex Lever Assembly	Yes
	677F14 x Fin	Regis Lever Assembly	Yes
	677F15 x Fin	Citation Lever Assembly	Yes
	677F16 x Fin	Armstrong Lever Assembly	Yes
	677F26 x Fin	Dirke RHR Lever Assembly	Yes
	677F27 x Fin	Dirke LHR Lever Assembly	Yes
	677F28 x Fin	Princeton Lever Assembly	Yes
	698F32 x Fin	Merlot Lever Assembly	Yes
	698F64 x Fin	Frascati RHR Lever Assembly	Yes
	698F66 x Fin	Frascati LHR Lever Assembly	Yes
	698F68 x Fin	Zinfandel RHR Lever Assembly	Yes
	698F70 x Fin	Zinfandel LHR Lever Assembly	Yes
SEE PAGE 72	Museo Lever	Yes	
6	677F128	Screw, Set #1/4-20 x1"	Yes
7	651F648	Gear Driver	Yes
8	651F618	Torsion Spring LHR Red	Yes
	651F628	Torsion Spring RHR Blue	Yes
9	783F048	Threaded Post	Yes
10	677F085	Hub, Spring Retainer	Yes
11	651F708	Bushing, Spacer	Yes
	708F691	Bushing, Spacer M60	Yes
12	677F078	Nut (Slotted Hex) (#3/8-24)	Yes
13	677F098	Pin, Cotter (5/64" x 3/4")	Yes
14	728F888	Retainer, Stud	Yes
15	891F348	Spindle SA	Yes
16	704F778	Screw, FHT-T-PH #6x3/8"	Yes
17	869F857	4-40 X 3/16 FH SS Machine Screw VC-3	Yes
18	891F998	Key Override Ring	Yes
19	678F132	Cylinder Nut (Electric)	Yes
20	891F128	10-32 X 1/2 Truss Head Screw	Yes
21	891F068	Torsion Spring Key Override	Yes
22	892F278	Set Screw 6-32 X 1/4"	Yes
23	220F998	Screw FHT-T-PH 8-32 x3/8"	Yes

The warranty on Corbin Russwin products becomes void if the product is modified in any way, regardless of whether the modifications causes or contributes to any alleged defect. If a Corbin Russwin product is modified it may no longer meet industry certification and quality control standards applicable to the original product and is no longer a genuine Corbin Russwin product.

Copyright © 2000-2025, ASSA ABLOY Access and Egress Hardware Group, Inc. All rights reserved. Reproduction in whole or in part without the express written permission of ASSA ABLOY Access and Egress Hardware Group, Inc. is prohibited. Patent pending and/or patent www.assaabloydss.com/patents.

ITEM	PART #	DESCRIPTION	SELLABLE
24	892F019	Ecoflex Motor SA ¹	Yes
	855F499	M98 Ecoflex Motor SA ¹	Yes
25	891F058	Key Override Cam	Yes
26	548F237	6-32 X 1/4 FH MS	Yes
27	548F237	Base Plate	Yes
28	422F88M x Fin	Collar 1-1/4" Cylinder	Yes
	686F98M x Fin	Collar 1-1/2" Cylinder	Yes
29	891F048	Post, Locking Cam	Yes
30	728F709	Ecoflex ET Link Harness Fail Safe/Secure ¹	Yes
31	SEE PAGE 73	Cylinder, Mortise*	Yes
32	652F128 x Fin	Screw Pack 1-3/4" - 2" Doors	Yes
	652F138 x Fin	Screw Pack - 2-1/4" Doors	Yes
33	895F888	1-72 X 3/8 PH PHMS	Yes
34	895F859	M98 Switch Harness Assembly	Yes
35	711F999	Gasket HD	Yes

¹Item 24 & 30 must be ordered together.



The warranty on Corbin Russwin products becomes void if the product is modified in any way, regardless of whether the modifications causes or contributes to any alleged defect. If a Corbin Russwin product is modified it may no longer meet industry certification and quality control standards applicable to the original product and is no longer a genuine Corbin Russwin product.

Copyright © 2000-2025, ASSA ABLOY Access and Egress Hardware Group, Inc. All rights reserved. Reproduction in whole or in part without the express written permission of ASSA ABLOY Access and Egress Hardware Group, Inc. is prohibited. Patent pending and/or patent www.assaabloydss.com/patents.

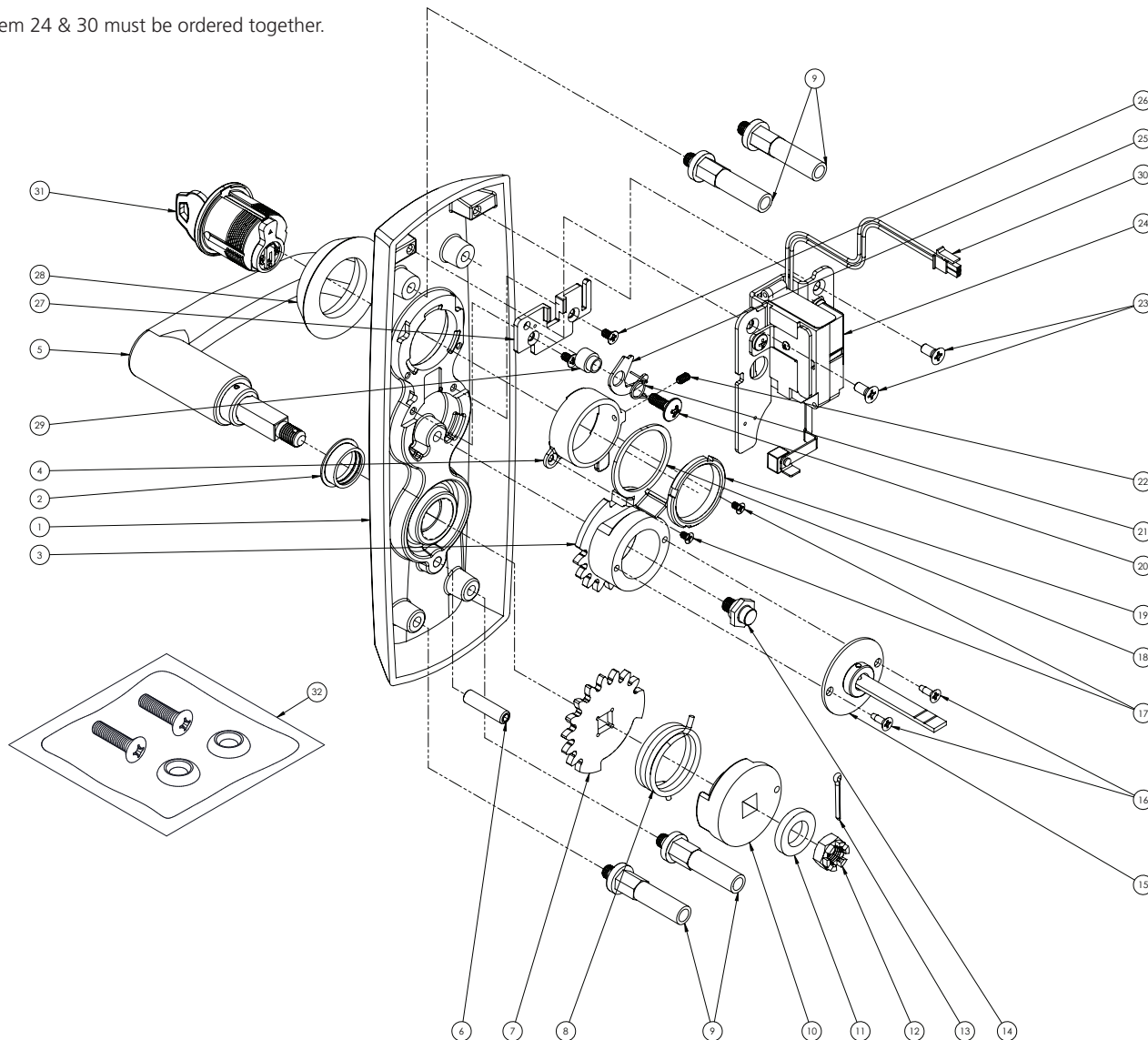
ITEM	PART #	DESCRIPTION	SELLABLE
1	891F932 x Fin	Escutcheon Parabolic	Yes
	891F942 x Fin	Escutcheon Parabolic - Designer Levers	Yes
2	118F299	Bushing	Yes
	806F069	Bushing - Designer Levers	Yes
3	891F029	Gear SA, Driven	Yes
4	891F075	Spacer, Cylinder	Yes
5	677F04 x Fin	Lustra Lever Assembly	Yes
	677F05 x Fin	Newport Lever Assembly	Yes
	677F13 x Fin	Essex Lever Assembly	Yes
	677F14 x Fin	Regis Lever Assembly	Yes
	677F15 x Fin	Citation Lever Assembly	Yes
	677F16 x Fin	Armstrong Lever Assembly	Yes
	677F26 x Fin	Dirke RHR Lever Assembly	Yes
	677F27 x Fin	Dirke LHR Lever Assembly	Yes
	677F28 x Fin	Princeton Lever Assembly	Yes
	698F32 x Fin	Merlot Lever Assembly	Yes
	698F64 x Fin	Frascati RHR Lever Assembly	Yes
	698F66 x Fin	Frascati LHR Lever Assembly	Yes
	698F68 x Fin	Zinfandel RHR Lever Assembly	Yes
	698F70 x Fin	Zinfandel LHR Lever Assembly	Yes
	SEE PAGE 72	Museo Levers	Yes
6	677F128	Screw, Set #1/4-20 x1"	Yes
7	651F648	Gear Driver	Yes
8	651F618	Torsion Spring LHR Red	Yes
	651F628	Torsion Spring RHR Blue	Yes
9	783F048	Threaded Post	Yes
10	677F085	Hub, Spring Retainer	Yes
11	651F708	Bushing, Spacer	Yes
12	677F078	Nut (Slotted Hex) (#3/8-24)	Yes
13	677F098	Pin, Cotter (5/64" x 3/4")	Yes
14	728F888	Retainer, Stud	Yes
15	891F348	Spindle SA	Yes
16	704F778	Screw, FHT-T-PH #6x3/8"	Yes
17	869F857	4-40 X 3/16 FH SS Machine Screw VC-3	Yes
18	891F998	Key Override Ring	Yes
19	678F132	Cylinder Nut (Electric)	Yes
20	891F128	10-32 X 1/2 Truss Head Screw	Yes
21	891F068	Torsion Spring Key Override	Yes
22	892F278	Set Screw 6-32 X 1/4"	Yes
23	220F998	Screw FHT-T-PH 8-32 x3/8"	Yes
24	892F019	Ecoflex Motor SA ¹	Yes
	855F499	M98 Ecoflex Motor SA ¹	Yes
25	891F058	Key Override Cam	Yes
26	548F237	6-32 X 1/4 FH MS	Yes

The warranty on Corbin Russwin products becomes void if the product is modified in any way, regardless of whether the modifications causes or contributes to any alleged defect. If a Corbin Russwin product is modified it may no longer meet industry certification and quality control standards applicable to the original product and is no longer a genuine Corbin Russwin product.

Copyright © 2000-2025, ASSA ABLOY Access and Egress Hardware Group, Inc. All rights reserved. Reproduction in whole or in part without the express written permission of ASSA ABLOY Access and Egress Hardware Group, Inc. is prohibited. Patent pending and/or patent www.assaabloydss.com/patents.

ITEM	PART #	DESCRIPTION	SELLABLE
27	891F037	Base Plate	Yes
28	422F88M x Fin	Collar 1-1/4" Cylinder	Yes
	686F98M x Fin	Collar 1-1/2" Cylinder	Yes
29	891F048	Post, Locking Cam	Yes
30	789F879	Harness IN120, IN220 ¹	Yes
	729F939	Ecoflex Harness SN Series ¹	Yes
	798F869	Harness IN100 ¹	Yes
31	SEE PAGE 73	Cylinder, Mortise*	Yes
32	652F128 x Fin	Screw Pack 1-3/4" - 2" Doors	Yes
	652F138 x Fin	Screw Pack - 2-1/4" Doors	Yes
33	895F888	1-72 X 3/8 PH PHMS	Yes
34	895F859	M98 Switch Harness Assembly	Yes
35	711F999	Gasket HD	Yes

¹Item 24 & 30 must be ordered together.



The warranty on Corbin Russwin products becomes void if the product is modified in any way, regardless of whether the modifications causes or contributes to any alleged defect. If a Corbin Russwin product is modified it may no longer meet industry certification and quality control standards applicable to the original product and is no longer a genuine Corbin Russwin product.

Copyright © 2000-2025, ASSA ABLOY Access and Egress Hardware Group, Inc. All rights reserved. Reproduction in whole or in part without the express written permission of ASSA ABLOY Access and Egress Hardware Group, Inc. is prohibited. Patent pending and/or patent www.assaabloydss.com/patents.

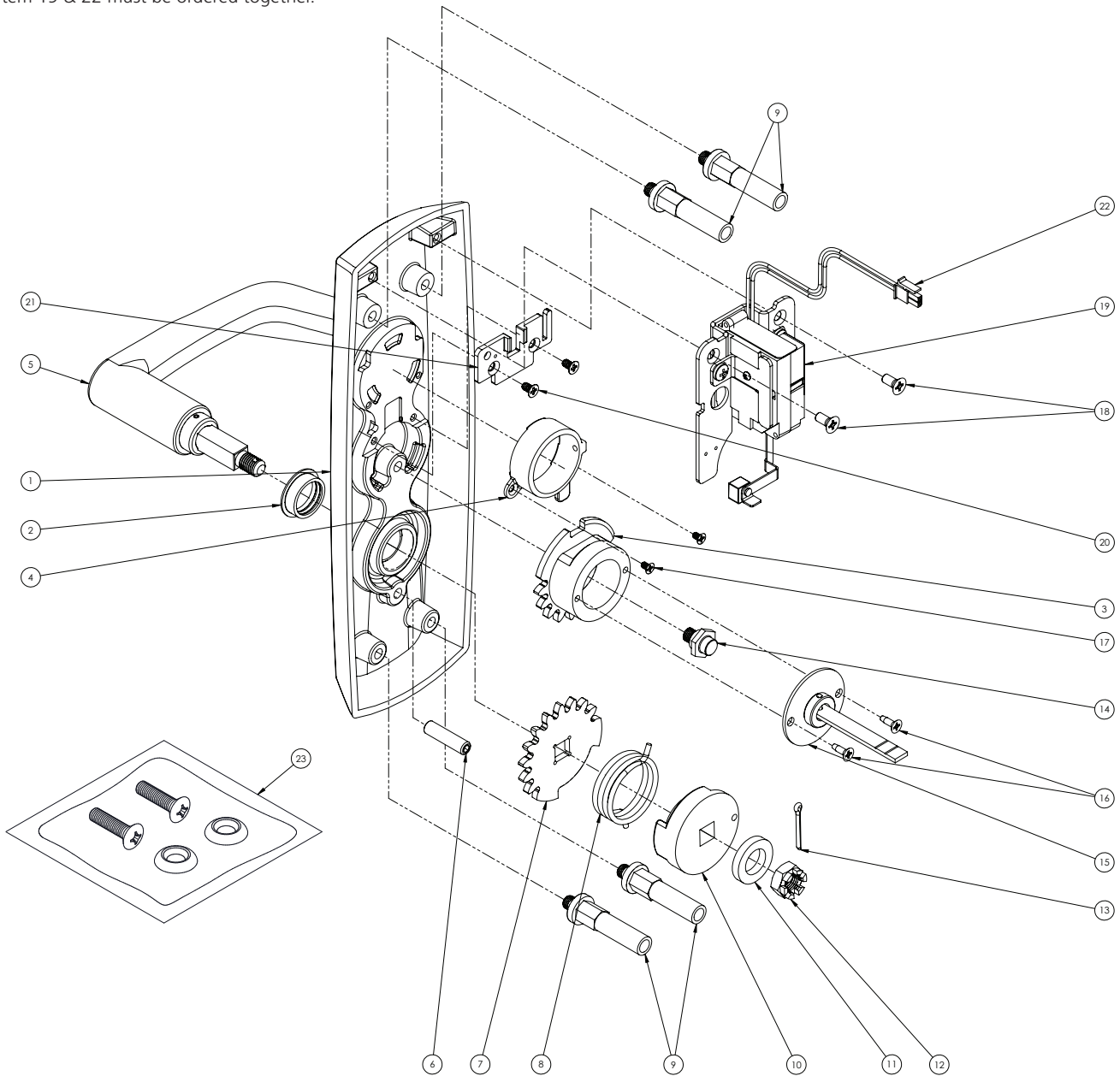
ITEM	PART #	DESCRIPTION	SELLABLE
1	891F952 x Fin	Escutcheon Parabolic	Yes
	891F962 x Fin	Escutcheon Parabolic - Designer Levers	Yes
2	118F299	Bushing	Yes
	806F069	Bushing - Designer Levers	Yes
3	891F029	Gear SA, Driven	Yes
4	891F075	Spacer, Cylinder	Yes
5	677F04 x Fin	Lustra Lever Assembly	Yes
	677F05 x Fin	Newport Lever Assembly	Yes
	677F13 x Fin	Essex Lever Assembly	Yes
	677F14 x Fin	Regis Lever Assembly	Yes
	677F15 x Fin	Citation Lever Assembly	Yes
	677F16 x Fin	Armstrong Lever Assembly	Yes
	677F26 x Fin	Dirke RHR Lever Assembly	Yes
	677F27 x Fin	Dirke LHR Lever Assembly	Yes
	677F28 x Fin	Princeton Lever Assembly	Yes
	698F32 x Fin	Merlot Lever Assembly	Yes
	698F64 x Fin	Frascati RHR Lever Assembly	Yes
	698F66 x Fin	Frascati LHR Lever Assembly	Yes
	698F68 x Fin	Zinfandel RHR Lever Assembly	Yes
	698F70 x Fin	Zinfandel LHR Lever Assembly	Yes
	SEE PAGE 72	Museo Levers	Yes
6	677F128	Screw, Set #1/4-20 x1"	Yes
7	651F648	Gear Driver	Yes
8	651F618	Torsion Spring LHR Red	Yes
	651F628	Torsion Spring RHR Blue	Yes
9	783F048	Threaded Post	Yes
10	677F085	Hub, Spring Retainer	Yes
11	708F691	Bushing, Spacer	Yes
12	677F078	Nut (Slotted Hex) (#3/8-24)	Yes
13	677F098	Pin, Cotter (5/64" x 3/4")	Yes
14	728F888	Retainer, Stud	Yes
15	891F348	Spindle SA	Yes
16	704F778	Screw, FHT-T-PH #6x3/8"	Yes
17	869F857	4-40 X 3/16 FH SS Machine Screw VC-3	Yes
18	220F998	Screw FHT-T-PH 8-32 x3/8"	Yes
19	892F019	Ecoflex Motor SA ¹	Yes
	855F499	M98 Ecoflex Motor SA ¹	Yes
20	548F237	6-32 X 1/4 FH MS	Yes
21	891F037	Base Plate	Yes

The warranty on Corbin Russwin products becomes void if the product is modified in any way, regardless of whether the modifications causes or contributes to any alleged defect. If a Corbin Russwin product is modified it may no longer meet industry certification and quality control standards applicable to the original product and is no longer a genuine Corbin Russwin product.

Copyright © 2000-2025, ASSA ABLOY Access and Egress Hardware Group, Inc. All rights reserved. Reproduction in whole or in part without the express written permission of ASSA ABLOY Access and Egress Hardware Group, Inc. is prohibited. Patent pending and/or patent www.assaabloydss.com/patents.

ITEM	PART #	DESCRIPTION	SELLABLE
22	789F879	Harness IN120, IN220 ¹	Yes
	729F939	Ecoflex Harness SN Series ¹	Yes
	798F869	Harness IN100 ¹	Yes
23	652F128 x Fin	Screw Pack 1-3/4" - 2" Doors	Yes
	652F138 x Fin	Screw Pack - 2-1/4" Doors	Yes
24	895F888	1-72 X 3/8 PH PHMS	Yes
25	895F859	M98 Switch Harness Assembly	Yes
26	711F999	Gasket HD	Yes

¹Item 19 & 22 must be ordered together.



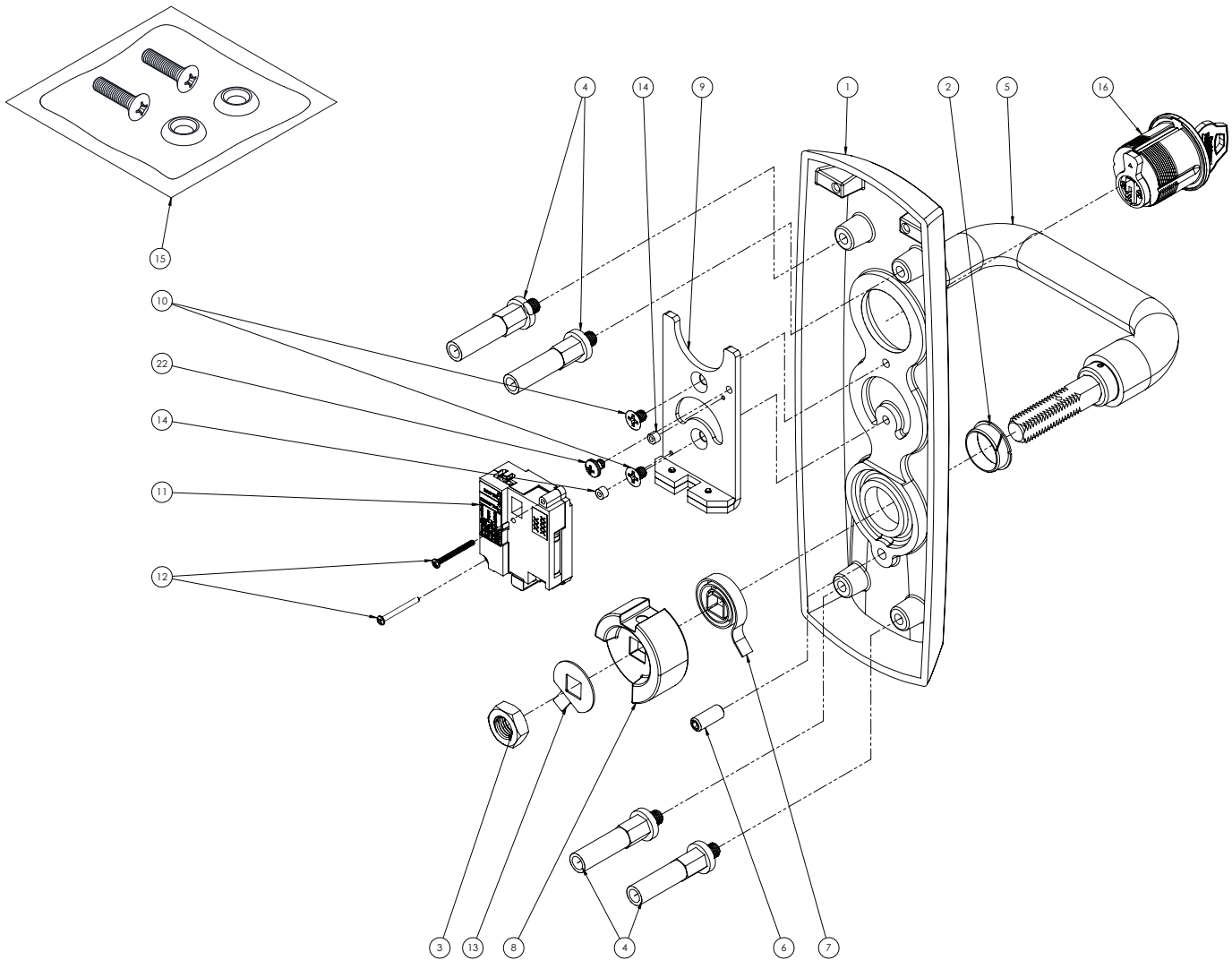
The warranty on Corbin Russwin products becomes void if the product is modified in any way, regardless of whether the modifications causes or contributes to any alleged defect. If a Corbin Russwin product is modified it may no longer meet industry certification and quality control standards applicable to the original product and is no longer a genuine Corbin Russwin product.

Copyright © 2000-2025, ASSA ABLOY Access and Egress Hardware Group, Inc. All rights reserved. Reproduction in whole or in part without the express written permission of ASSA ABLOY Access and Egress Hardware Group, Inc. is prohibited. Patent pending and/or patent www.assaabloydss.com/patents.

ITEM	PART #	DESCRIPTION	SELLABLE
1	728F782 x Fin	Escutcheon Parabolic	Yes
	728F912 x Fin	Escutcheon Parabolic - Designer Levers	Yes
2	118F299	Bushing	Yes
	806F069	Bushing - Designer Levers	Yes
3	728F768	7/16 - 20 UNF -2B Thin Hex Nut	Yes
4	783F048	Threaded Post	Yes
5	653F53 x Fin	Lustra Lever Assembly	Yes
	653F68 x Fin	Newport Lever Assembly	Yes
	653F50 x Fin	Essex Lever Assembly	Yes
	653F56 x Fin	Regis Lever Assembly	Yes
	653F59 x Fin	Citation Lever Assembly	Yes
	653F71 x Fin	Armstrong Lever Assembly	Yes
	653F62 x Fin	Dirke RHR Lever Assembly	Yes
	653F65 x Fin	Dirke LHR Lever Assembly	Yes
	653F74 x Fin	Princeton Lever Assembly	Yes
	698F34 x Fin	Merlot Lever Assembly	Yes
	698F65 x Fin	Frascati RHR Lever Assembly	Yes
	698F67 x Fin	Frascati LHR Lever Assembly	Yes
	698F69 x Fin	Zinfandel RHR Lever Assembly	Yes
	698F71 x Fin	Zinfandel LHR Lever Assembly	Yes
	SEE PAGE 72	Museo Levers	Yes
6	677F118	Screw, Set 1/4-20 x 5/8"	Yes
7	708F527	Spring, Stabilizer	Yes
8	728F897	Hub, Locking - Right Handed	Yes
	728F737	Hub, Locking - Left Handed	Yes
9	728F839	Plate SA, Mounting Mount Ecoflex	Yes
10	728F848	Screw PH-FH 10-32 x 1/4"	Yes
11	789F859	Housing SA, Motor Ecoflex	Yes
12	728F858	Screw PHM-PH #2-56 x 7/8"	Yes
13	794F808	Washer, Lock Nut	Yes
14	728F861	Spacer - 3/16" X 1/8"	Yes
15	652F128 x Fin	Screw Pack 1-3/4" - 2" Doors	Yes
	652F138 x Fin	Screw Pack - 2-1/4" Doors	Yes
16	SEE PAGE 73	Cylinder, Mortise*	Yes
17	789F879	Harness IN120, IN220	Yes
18	789F869	Harness IN100	Yes
19	729F939	Ecoflex Harness SN Series	Yes
20	795F189	Wire, Ground	Yes
21	794F519	Gasket Weather	Yes
22	734F548	Screw, PHM-PH #8-32 x 3/16"	Yes

The warranty on Corbin Russwin products becomes void if the product is modified in any way, regardless of whether the modifications causes or contributes to any alleged defect. If a Corbin Russwin product is modified it may no longer meet industry certification and quality control standards applicable to the original product and is no longer a genuine Corbin Russwin product.

Copyright © 2000-2025, ASSA ABLOY Access and Egress Hardware Group, Inc. All rights reserved. Reproduction in whole or in part without the express written permission of ASSA ABLOY Access and Egress Hardware Group, Inc. is prohibited. Patent pending and/or patent www.assaabloydss.com/patents.



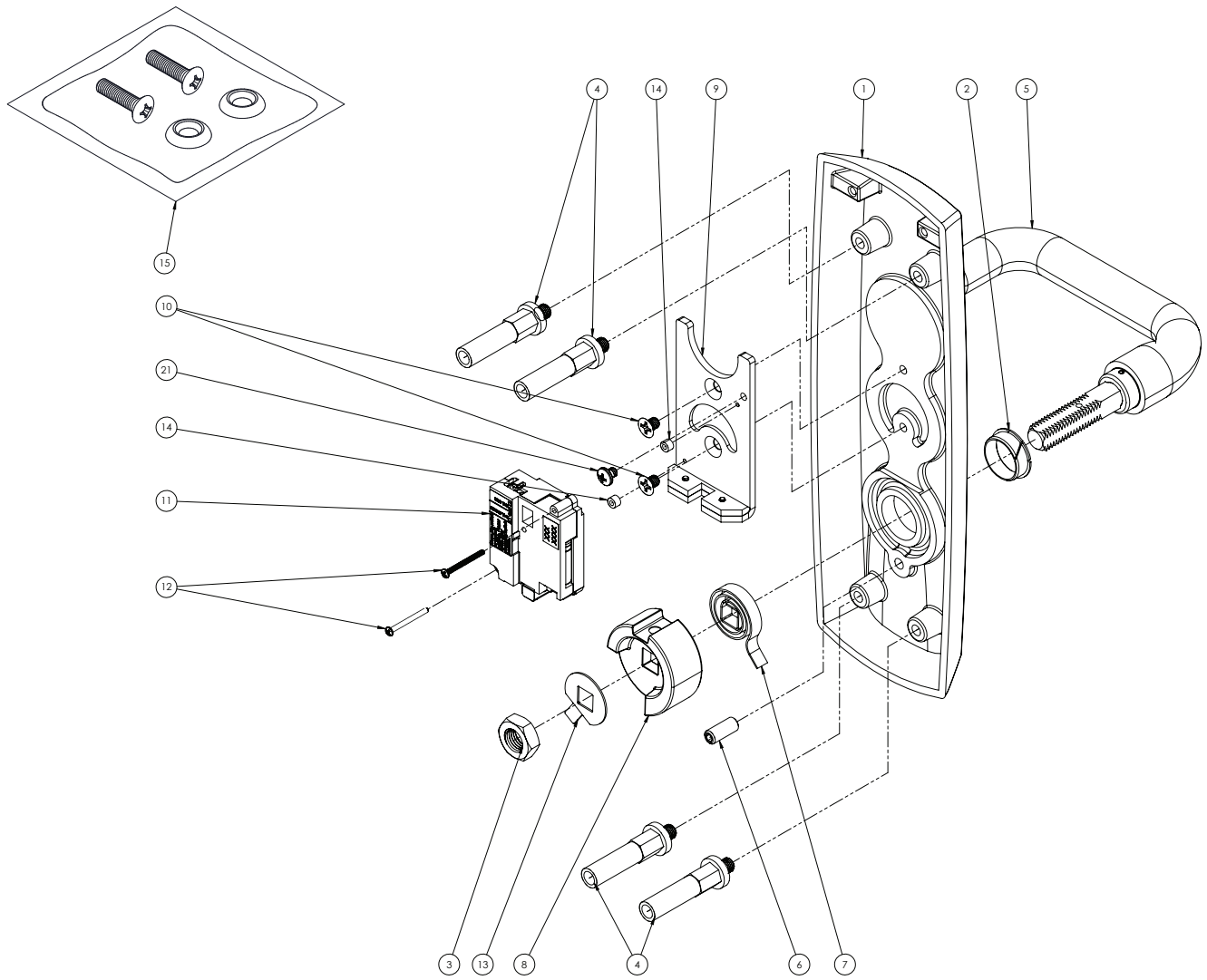
The warranty on Corbin Russwin products becomes void if the product is modified in any way, regardless of whether the modifications causes or contributes to any alleged defect. If a Corbin Russwin product is modified it may no longer meet industry certification and quality control standards applicable to the original product and is no longer a genuine Corbin Russwin product.

Copyright © 2000-2025, ASSA ABLOY Access and Egress Hardware Group, Inc. All rights reserved. Reproduction in whole or in part without the express written permission of ASSA ABLOY Access and Egress Hardware Group, Inc. is prohibited. Patent pending and/or patent www.assaabloydss.com/patents.

ITEM	PART #	DESCRIPTION	SELLABLE
1	728F782 x Fin	Escutcheon Parabolic	Yes
	728F912 x Fin	Escutcheon Parabolic - Designer Levers	Yes
2	118F299	Bushing	Yes
	806F069	Bushing - Designer Levers	Yes
3	728F768	7/16 - 20 UNF -2B Thin Hex Nut	Yes
4	783F048	Threaded Post	Yes
5	653F53 x Fin	Lustra Lever Assembly	Yes
	653F68 x Fin	Newport Lever Assembly	Yes
	653F50 x Fin	Essex Lever Assembly	Yes
	653F56 x Fin	Regis Lever Assembly	Yes
	653F59 x Fin	Citation Lever Assembly	Yes
	653F71 x Fin	Armstrong Lever Assembly	Yes
	653F62 x Fin	Dirke RHR Lever Assembly	Yes
	653F65 x Fin	Dirke LHR Lever Assembly	Yes
	653F74 x Fin	Princeton Lever Assembly	Yes
	698F34 x Fin	Merlot Lever Assembly	Yes
	698F65 x Fin	Frascati RHR Lever Assembly	Yes
	698F67 x Fin	Frascati LHR Lever Assembly	Yes
	698F69 x Fin	Zinfandel RHR Lever Assembly	Yes
	698F71 x Fin	Zinfandel LHR Lever Assembly	Yes
	SEE PAGE 72	Museo Levers	Yes
6	677F118	Screw, Set 1/4-20 x 5/8"	Yes
7	708F527	Spring, Stabilizer	Yes
8	728F897	Hub, Locking - Right Handed	Yes
	728F737	Hub, Locking - Left Handed	Yes
9	728F839	Plate SA, Mounting Mount Ecoflex	Yes
10	728F848	Screw PH-FH 10-32 x 1/4"	Yes
11	789F859	Housing SA, Motor Ecoflex	Yes
12	728F858	Screw PHM-PH #2-56 x 7/8"	Yes
13	794F808	Washer, Lock Nut	Yes
14	728F861	Spacer - 3/16" X 1/8"	Yes
15	652F128 x Fin	Screw Pack 1-3/4" - 2" Doors	Yes
	652F138 x Fin	Screw Pack - 2-1/4" Doors	Yes
16	789F879	Harness IN120, IN220	Yes
17	789F869	Harness IN100	Yes
18	729F939	Ecoflex Harness SN Series	Yes
19	795F189	Wire, Ground	Yes
20	794F519	Gasket Weather	Yes
21	734F548	Screw, PHM-PH #8-32 x 3/16"	Yes

The warranty on Corbin Russwin products becomes void if the product is modified in any way, regardless of whether the modifications causes or contributes to any alleged defect. If a Corbin Russwin product is modified it may no longer meet industry certification and quality control standards applicable to the original product and is no longer a genuine Corbin Russwin product.

Copyright © 2000-2025, ASSA ABLOY Access and Egress Hardware Group, Inc. All rights reserved. Reproduction in whole or in part without the express written permission of ASSA ABLOY Access and Egress Hardware Group, Inc. is prohibited. Patent pending and/or patent www.assaabloydss.com/patents.



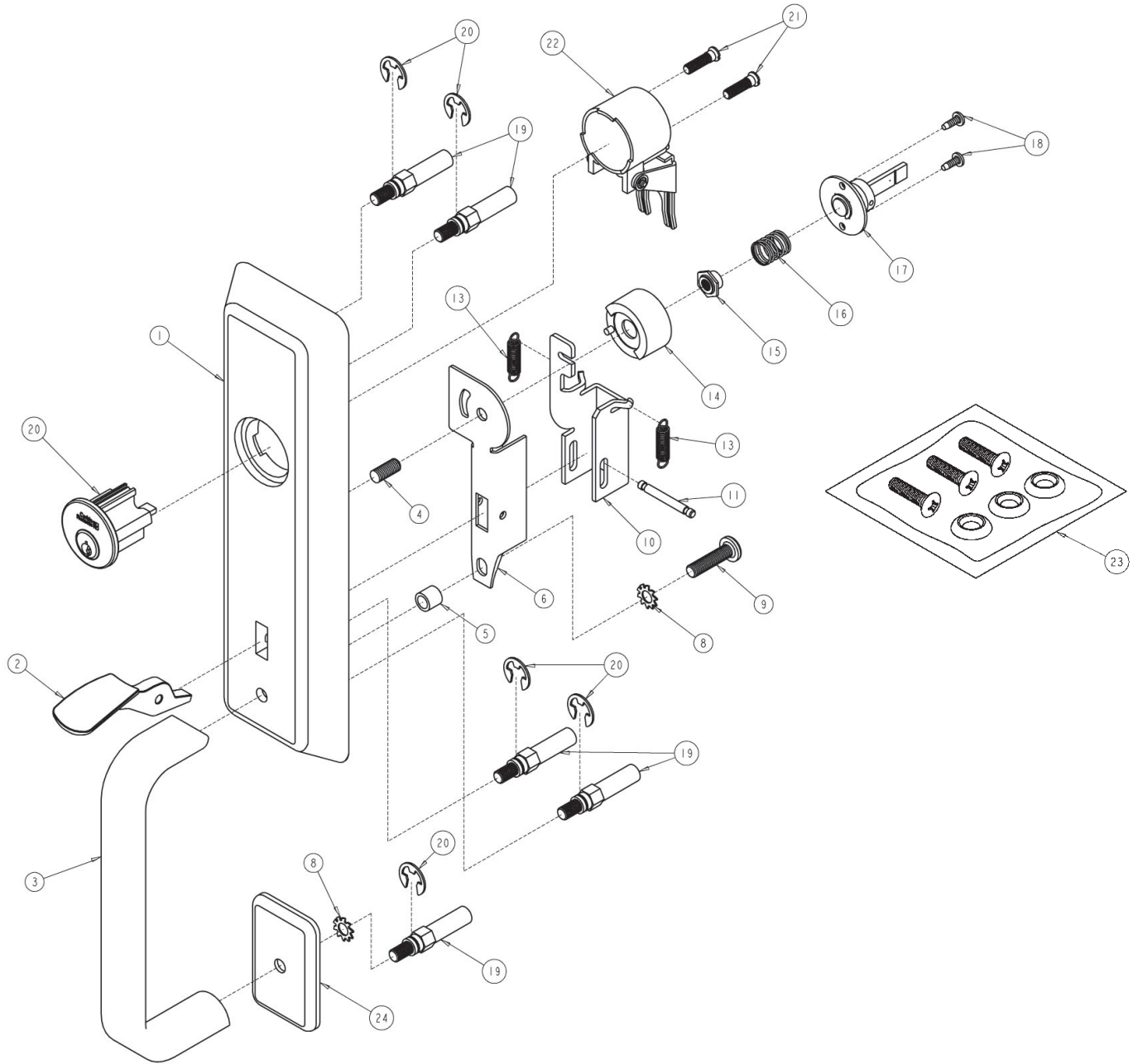
The warranty on Corbin Russwin products becomes void if the product is modified in any way, regardless of whether the modifications causes or contributes to any alleged defect. If a Corbin Russwin product is modified it may no longer meet industry certification and quality control standards applicable to the original product and is no longer a genuine Corbin Russwin product.

Copyright © 2000-2025, ASSA ABLOY Access and Egress Hardware Group, Inc. All rights reserved. Reproduction in whole or in part without the express written permission of ASSA ABLOY Access and Egress Hardware Group, Inc. is prohibited. Patent pending and/or patent www.assaabloydss.com/patents.

Item	Part #	Description	Sellable
1	566F522 x Fin	Escutcheon - TH950	Yes
	566F532 x Fin	Escutcheon - TH910	Yes
	566F542 x Fin	Escutcheon - TH957	Yes
	566F552 x Fin	Escutcheon - TH955, TH959	Yes
2	566F50M x Fin	Thumbpiece - TH910, TH955, TH959	No
3	566F572 x Fin	Grip	Yes
4	677F118	Screw, Set 1/4-20 x 5/8 - TH910, TH955, TH959	Yes
5	566F588	Spacer, Grip - TH910, TH955, TH959	Yes
6	651F468	Thumbpiece Support Bracket - TH910, TH955, TH959	Yes
8	651F448	Lock Washer	Yes
9	651F418	Screw, RHM-PH #1/4-20 x 5/8" - TH950, TH957	Yes
	704F898	Screw, PHM-PH #1/4-20 x 1" - TH910, TH955, TH959	Yes
10	651F498	Thumbpiece Slider - TH910, TH955, TH959	Yes
11	651F488	Thumbpiece Pin - TH910, TH955, TH959	Yes
13	651F478	Thumbpiece Spring - TH910, TH955, TH959	Yes
14	651F545	Clutch Housing SA - TH910, TH955, TH959	Yes
15	651F398	Spring, Bushing, Comp - TH910, TH955, TH959	Yes
16	651F408	Compression Spring - TH910, TH955, TH959	Yes
17	566F598	Spindle SA 1-3/4" - TH910, TH955, TH959	Yes
	655F698	Spindle SA 2" - 2-1/4" TH910, TH955, TH959	Yes
18	651F508	Screw, PHT-T-PH #6 x 3/8" - TH910, TH955, TH959	Yes
19	651F438	Threaded Post	Yes
20	386F018	Retaining Ring	Yes
21	655K03MSECFIN	Rim Cylinder Assembly - TH955, TH959 (Non X Class)	Yes
	655K04MSECFIN	Rim Cylinder Assembly - TH955, TH959 (X Class)	Yes
	684K40MSECFIN	Rim Cylinder Assembly - TH957 (Non X Class)	Yes
	684K43MSECFIN	Rim Cylinder Assembly - TH957 (X Class)	Yes
22	651F675	Cylinder Housing SA - TH955, TH959	Yes
	651F425	Nightlatch Cylinder Housing - TH957	Yes
23	652F148 x Fin	Screw Packet - 1-3/4" - 2" doors	Yes
	652F158 x Fin	Screw Packet - 2-1/4" doors	Yes
24	651F10M x Fin	Bottom Escutcheon SA	No

The warranty on Corbin Russwin products becomes void if the product is modified in any way, regardless of whether the modifications causes or contributes to any alleged defect. If a Corbin Russwin product is modified it may no longer meet industry certification and quality control standards applicable to the original product and is no longer a genuine Corbin Russwin product.

Copyright © 2000-2025, ASSA ABLOY Access and Egress Hardware Group, Inc. All rights reserved. Reproduction in whole or in part without the express written permission of ASSA ABLOY Access and Egress Hardware Group, Inc. is prohibited. Patent pending and/or patent www.assaabloydss.com/patents.



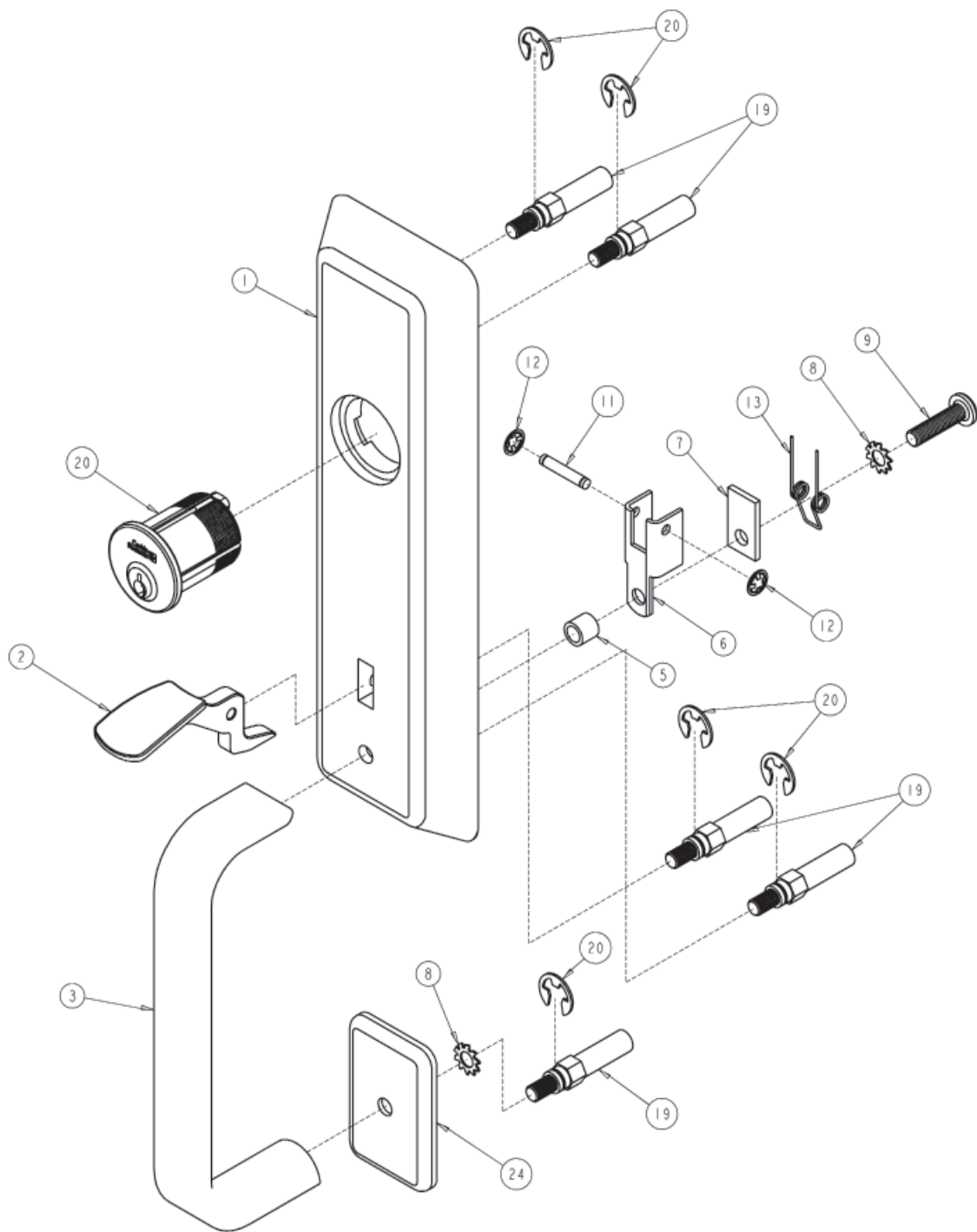
The warranty on Corbin Russwin products becomes void if the product is modified in any way, regardless of whether the modifications causes or contributes to any alleged defect. If a Corbin Russwin product is modified it may no longer meet industry certification and quality control standards applicable to the original product and is no longer a genuine Corbin Russwin product.

Copyright © 2000-2025, ASSA ABLOY Access and Egress Hardware Group, Inc. All rights reserved. Reproduction in whole or in part without the express written permission of ASSA ABLOY Access and Egress Hardware Group, Inc. is prohibited. Patent pending and/or patent www.assaabloydss.com/patents.

Item	Part #	Description	Sellable
1	566F532 x Fin	Escutcheon - TH9M10	Yes
	566F552 x Fin	Escutcheon - TH9M55	Yes
	566F562 x Fin	Escutcheon - TH9M57	Yes
2	566F51M x Fin	Thumbpiece - TH9M10, TH9M55	Yes
3	566F572 x Fin	Grip	Yes
5	566F588	Spacer, Grip - TH9M10, TH9M55	Yes
6	651F578	Thumbpiece Support Bracket - TH9M10, TH9M55	Yes
7	651F568	Thumbpiece Tab - TH9M10, TH9M55	Yes
8	651F448	Lock Washer	Yes
9	651F418	Screw, RHM-PH #1/4-20 x 5/8" - TH9M57	Yes
	704F898	Screw, PHM-PH #1/4-20 x 1" - TH9M10, TH9M55	Yes
11	651F587	Thumbpiece Pin - TH9M10, TH9M55	Yes
12	651F608	Retaining Ring - TH9M10, TH9M55	Yes
13	651F028	Mortise Thumbpiece Spring - TH9M10, TH9M55	Yes
19	651F438	Threaded Post	Yes
20	386F018	Retaining Ring	Yes
21	504K57MSECFIN	Mortise Cylinder Assembly - TH9M55, TH9M57 (Non X Class)	Yes
	594K24MSECFIN	Mortise Cylinder Assembly - TH9M55, TH9M57 (Non X Class)	Yes
23	652F148 x Fin	Screw Packet - 1-3/4" - 2" doors	Yes
	652F158 x Fin	Screw Packet - 2-1/4" doors	Yes
24	651F10M x Fin	Bottom Escutcheon SA	Yes

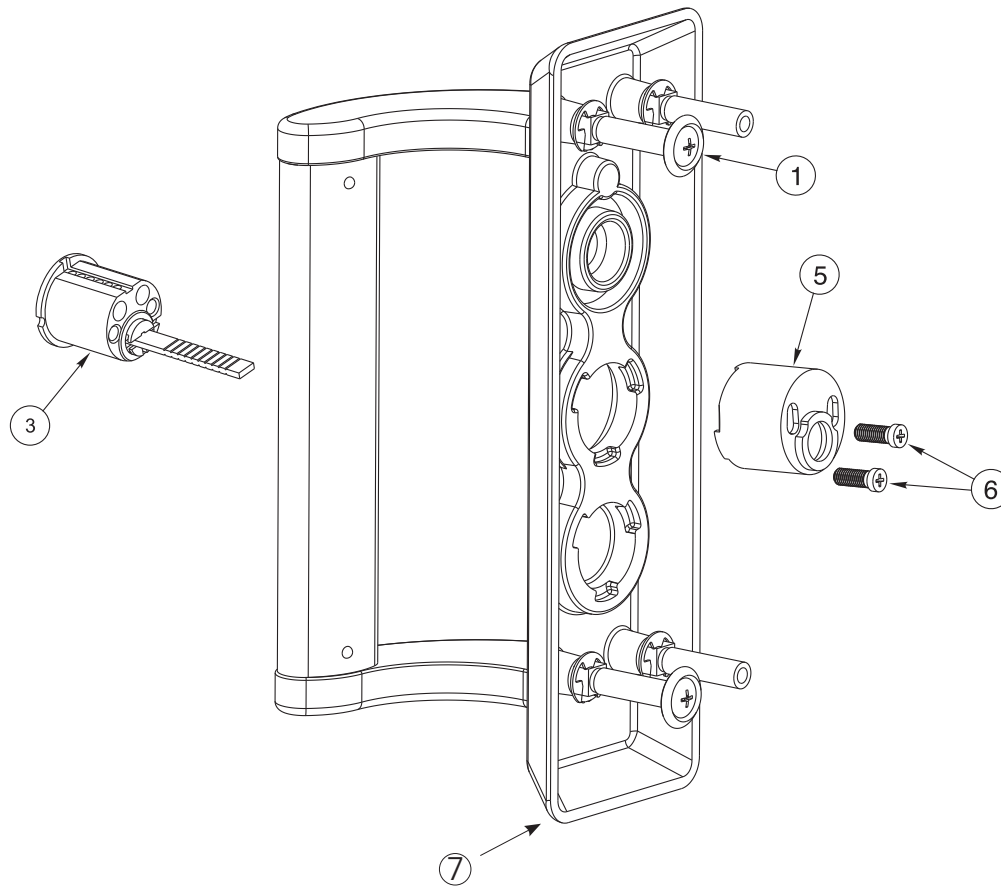
The warranty on Corbin Russwin products becomes void if the product is modified in any way, regardless of whether the modifications causes or contributes to any alleged defect. If a Corbin Russwin product is modified it may no longer meet industry certification and quality control standards applicable to the original product and is no longer a genuine Corbin Russwin product.

Copyright © 2000-2025, ASSA ABLOY Access and Egress Hardware Group, Inc. All rights reserved. Reproduction in whole or in part without the express written permission of ASSA ABLOY Access and Egress Hardware Group, Inc. is prohibited. Patent pending and/or patent www.assaabloydss.com/patents.



The warranty on Corbin Russwin products becomes void if the product is modified in any way, regardless of whether the modifications causes or contributes to any alleged defect. If a Corbin Russwin product is modified it may no longer meet industry certification and quality control standards applicable to the original product and is no longer a genuine Corbin Russwin product.

Copyright © 2000-2025, ASSA ABLOY Access and Egress Hardware Group, Inc. All rights reserved. Reproduction in whole or in part without the express written permission of ASSA ABLOY Access and Egress Hardware Group, Inc. is prohibited. Patent pending and/or patent www.assaabloydss.com/patents.

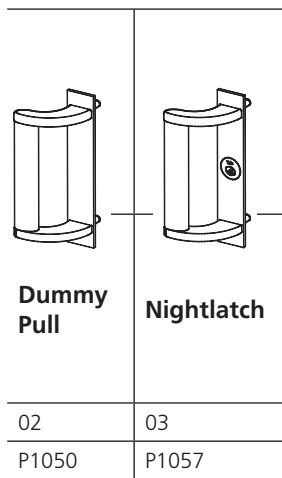
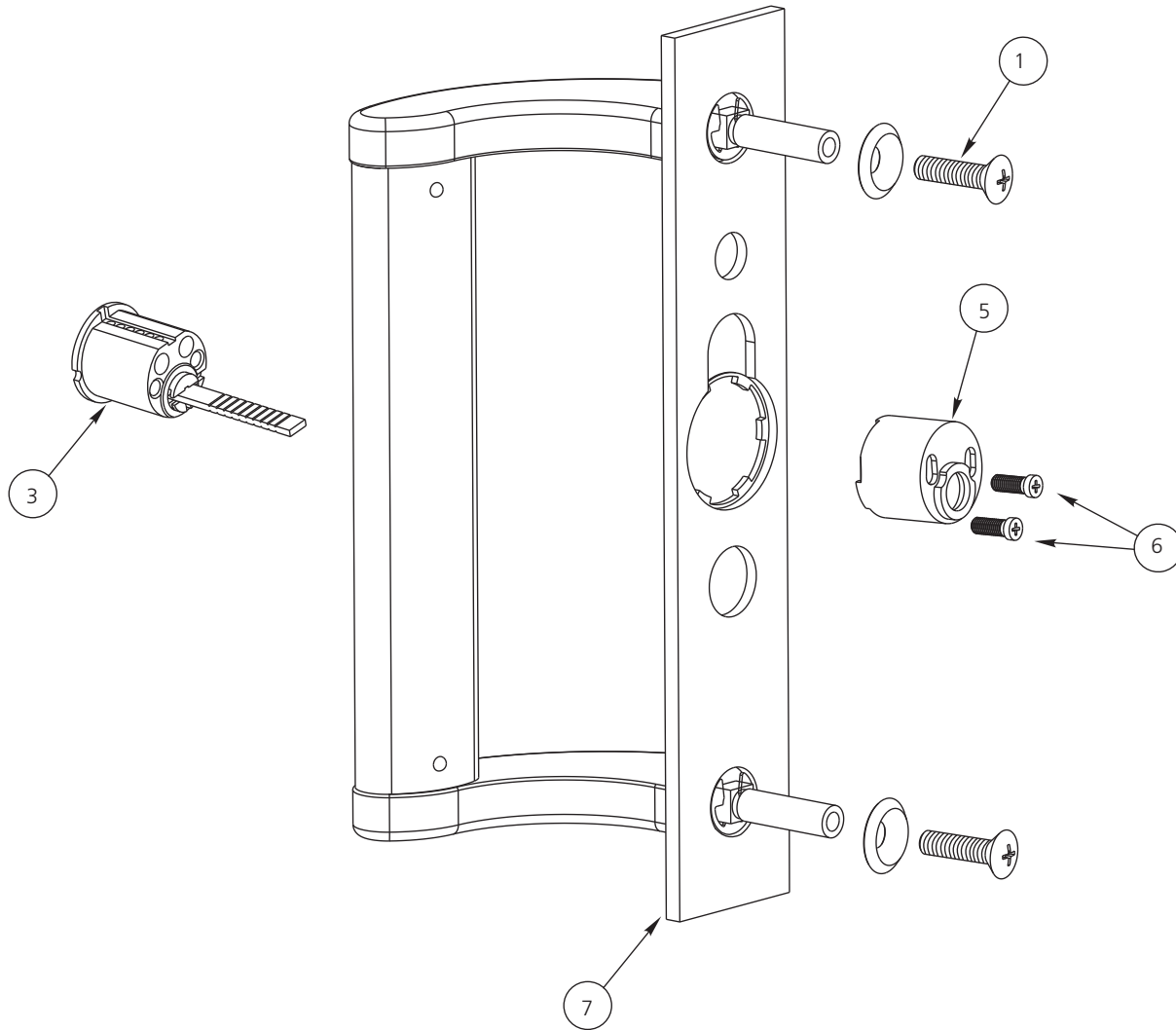


Dummy Pull	Nightlatch	Mortise Nightlatch
02	03	03
P950	P957	P9M57

Item	Part No.	Description	Sellable
1	Screw Packet, Mtg.		
	652F12 x Fin	1-3/4" - 2" Door	Yes
	652F13 x Fin	2-1/4" Door	Yes
	Consists of the following: Screw 1/4-20 x 1 OPHMS(2) Washer #14 Finish (2)		
3	See Pages 63-64	Cylinder, Rim or Mortise	
5	651F425	Housing, Cylinder (681F)	Yes
6	655F028	Screw, Cylinder Mtg. (2)	Yes
7	Escutcheon & Pull Assembly		
	711F22 x Fin	P950	Yes
	711F23 x Fin	P957	Yes
	715F53 x Fin	P9M57	Yes

The warranty on Corbin Russwin products becomes void if the product is modified in any way, regardless of whether the modifications causes or contributes to any alleged defect. If a Corbin Russwin product is modified it may no longer meet industry certification and quality control standards applicable to the original product and is no longer a genuine Corbin Russwin product.

Copyright © 2000-2025, ASSA ABLOY Access and Egress Hardware Group, Inc. All rights reserved. Reproduction in whole or in part without the express written permission of ASSA ABLOY Access and Egress Hardware Group, Inc. is prohibited. Patent pending and/or patent www.assaabloydss.com/patents.



Item	Part No.	Description	Sellable
1	Screw Packet, Mtg. Consists of the following:		
	652F12 x Fin	Screw 1/4-20 x 1 OPHMS(2)	Yes
	652F13 x Fin	Washer #14 Finish (2)	Yes
3	See Pages 63-64	Cylinder, Rim	
5	651F425	Housing, Cylinder	Yes
6	655F028	Screw, Cylinder Mtg. (2)	Yes
7	676F12 x Fin	Escutcheon & Pull Assembly (P1050)	Yes
	676F13 x Fin	Escutcheon & Pull Assembly (P1057)	Yes

The warranty on Corbin Russwin products becomes void if the product is modified in any way, regardless of whether the modifications causes or contributes to any alleged defect. If a Corbin Russwin product is modified it may no longer meet industry certification and quality control standards applicable to the original product and is no longer a genuine Corbin Russwin product.

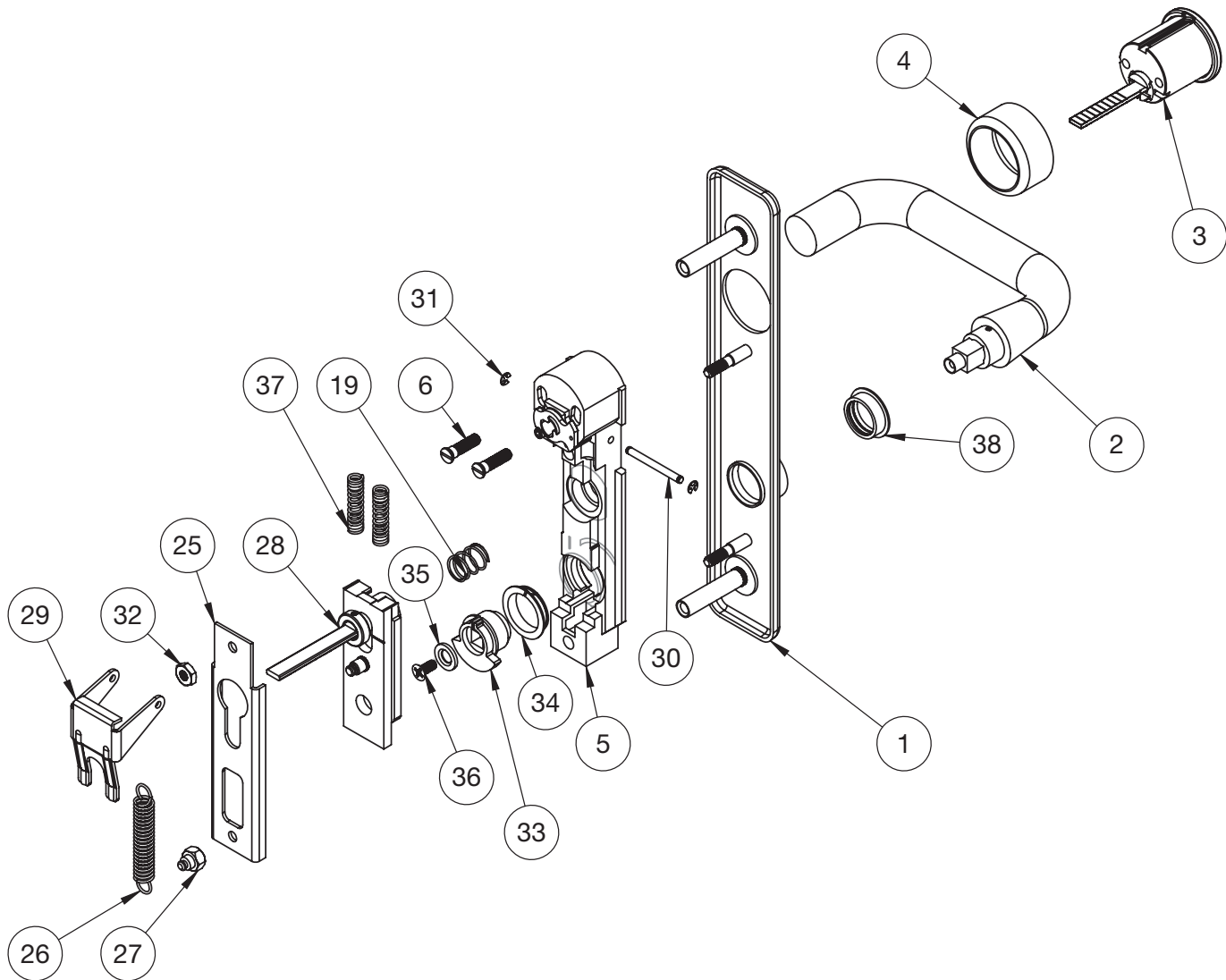
Copyright © 2000-2025, ASSA ABLOY Access and Egress Hardware Group, Inc. All rights reserved. Reproduction in whole or in part without the express written permission of ASSA ABLOY Access and Egress Hardware Group, Inc. is prohibited. Patent pending and/or patent www.assaabloydss.com/patents.

Item	Part No.	Description	Sellable	
1	Escutcheon Assembly			
	651F02 x Fin (Std. lever)	*855, *859	Yes	
	651F02 x Fin (Muséo Lever)			
	651F03 x Fin (Std. lever)	*810, *850	Yes	
651F03 x Fin (Muséo lever)				
2	677F04 X Fin	Lustra	Yes	
	677F05 X Fin	Newport	Yes	
	677F13 X Fin	Essex	Yes	
	677F14 X Fin	Regis	Yes	
	677F15 X Fin	Citation	Yes	
	677F16 X Fin	Armstrong	Yes	
	677F26 X Fin	Dirke RHR	Yes	
	677F27 X Fin	Dirke LHR	Yes	
	677F28 X Fin	Princeton	Yes	
	698F33 X Fin	Merlot	Yes	
	698F64 X Fin	Frascati RHR	Yes	
	698F66 X Fin	Frascati LHR	Yes	
	698F68 X Fin	Zinfandel RHR	Yes	
	698F70 X Fin	Zinfandel LHR	Yes	
	Knob & Spindle SA			
		656F45 X Fin	Global	Yes
	See Page 62	Muséo Levers		
3	See Pages 63-64	Rim Cylinder		
4	See Pages 63-64	Cylinder Collar		
5	Housing & Cam Assembly			
	651F965	*855, *859, Housing, Cyl.	Yes	
	655F665	*810, *850	Yes	
6	655F028	Screw, Cylinder Mounting (2)	Yes	
7	656F658	Screw, NL Function	Yes	
16	Thimble Insert, Nylon Not Shown			
	118F299	Standard	Yes	
	651F389	Knob	Yes	
	806F069	Muséo	Yes	
19	651F408	Spring Under Tailpiece Not Shown	Yes	
25	651F858	Plate, Cover	Yes	
26	651F948	Spring, Extension (Levers Only)	Yes	
27	651F928	Nut, Spring Post (Levers Only)	Yes	

Item	Part No.	Description	Sellable	
2	656F46 x Fin	Global Knob & Spindle Assembly	Yes	
	652F84 x Fin	Essex	Yes	
	652F87 x Fin	Lustram	Yes	
	652F90 x Fin	Regis	Yes	
	652F93 x Fin	Citation	Yes	
	652F96 x Fin	Dirke RHR	Yes	
	652F99 x Fin	Dirke LHR	Yes	
	653F02 x Fin	Newport	Yes	
	653F05 x Fin	Armstrong	Yes	
	653F08 x Fin	Princeton	Yes	
		See Page 62	Muséo Levers	
	Rack & Tailpiece Assy. Levers/Knobs			
28	651F828	*810, *855, *859	Yes	
	652F218	*850	Yes	
29	651F538	Lever, Clutch	Yes	
30	651F838	Pin, Clutch Lever	Yes	
31	651F898	Retainer, Clutch Lever Pin (2)	Yes	
32	651F888	Nut, Cover Plate (2) Not Shown	Yes	
33	652F228	Cam Not Shown	Yes	
34	652F239	Bushing, Nylon Not Shown	Yes	
35	651F848	Washer, Grip Not Shown	Yes	
36	651F878	Screw, 8-32 x 7/16, Spindle	Yes	
		Not Shown		
37		Spring, Rack (2)		
	651F938	Lever	Yes	
	651F868	Knob, Thumbturn	Yes	
38	651F17 x Fin	Thimble - Std. Levers Not Shown	Yes	
	806F22 x Fin	Thimble - Muséo Levers Not Shown	Yes	

The warranty on Corbin Russwin products becomes void if the product is modified in any way, regardless of whether the modifications causes or contributes to any alleged defect. If a Corbin Russwin product is modified it may no longer meet industry certification and quality control standards applicable to the original product and is no longer a genuine Corbin Russwin product.

Copyright © 2000-2025, ASSA ABLOY Access and Egress Hardware Group, Inc. All rights reserved. Reproduction in whole or in part without the express written permission of ASSA ABLOY Access and Egress Hardware Group, Inc. is prohibited. Patent pending and/or patent www.assaabloydss.com/patents.



Cylinder Controls Knob	Passage Trim Knob	Rigid Dummy Knob	Cylinder Controls Lever	Passage Trim Lever	Rigid Dummy Lever
09	--	02	08	--	02
G855, G859	G810	G850	*855, *859	*810	*850

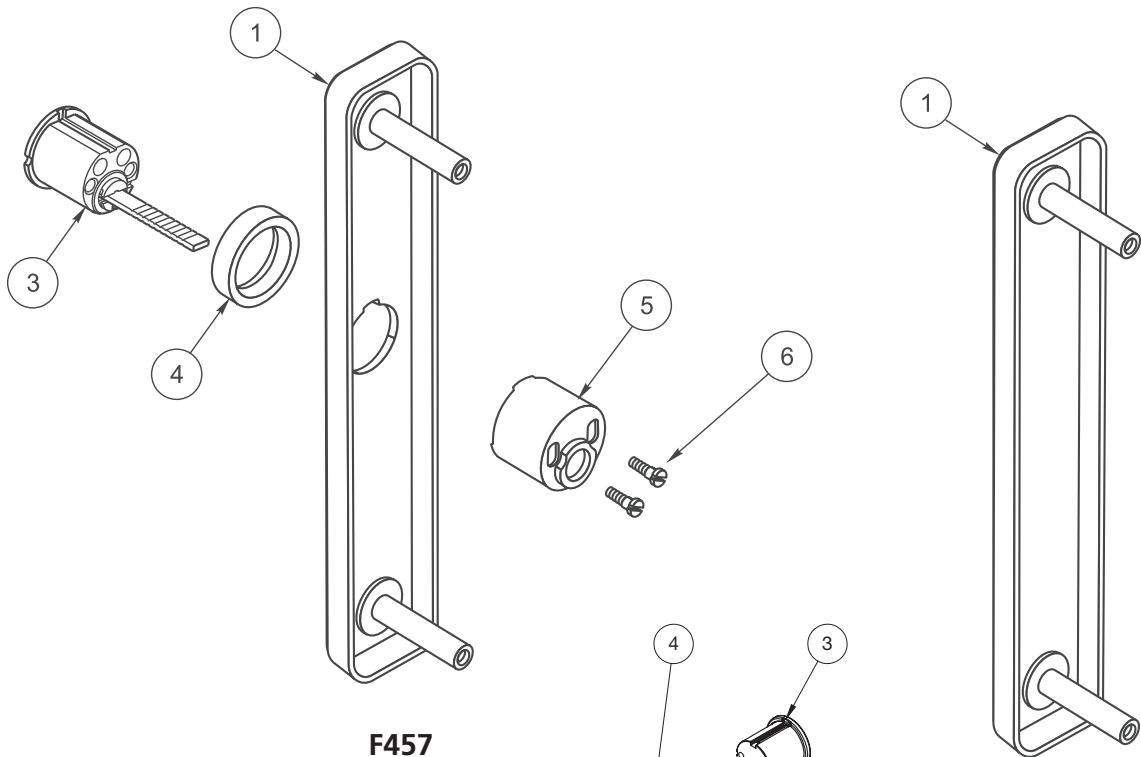
The warranty on Corbin Russwin products becomes void if the product is modified in any way, regardless of whether the modifications causes or contributes to any alleged defect. If a Corbin Russwin product is modified it may no longer meet industry certification and quality control standards applicable to the original product and is no longer a genuine Corbin Russwin product.

Copyright © 2000-2025, ASSA ABLOY Access and Egress Hardware Group, Inc. All rights reserved. Reproduction in whole or in part without the express written permission of ASSA ABLOY Access and Egress Hardware Group, Inc. is prohibited. Patent pending and/or patent www.assaabloydss.com/patents.

Item	Part No.	Description	Sellable
1	Escutcheon Assembly		
	651F00 x Fin	F450	Yes
	651F01 x Fin	F457	Yes
	651F02 x Fin	0855, 0859	Yes
	651F03 x Fin	0810	Yes
2	656F53 x Fin	Thumbturn / Spindle Assembly	Yes
3	See Pages 63-64	Cylinder, Rim	
4	See Pages 63-64	Collar, Cylinder	
5	Housing & Cam Assembly		
	651F965	0855, 0859	Yes
	651F425	F457, Housing, Cylinder	Yes
6	655F028	Screw, Cylinder Mounting (2)	Yes Yes
7	656F658	Screw, NL Function	Yes
16	651F389	Thimble Insert, Nylon Not Shown	Yes
19	651F408	Spring Under Tailpiece for 0810, 0855, 0859 Not Shown	Yes
25	651F858	Plate, Cover	Yes
28	651F878	Rack & Tailpiece Assembly	Yes
29	651F538	Lever, Clutch 0855, 0859	Yes
30	651F838	Pin, Clutch Lever 0855, 0859	Yes
31	651F898	Retainer, Clutch Lever Pin (2) 0855, 0859	Yes
32	651F888	Nut, Cover Plate (2)	Yes
33	652F228	Cam Not Shown	Yes
34	652F239	Bearing, Nylon Not Shown	Yes
35	651F848	Washer, Grip Not Shown	Yes
36	651F878	Screw, 8-32 x 7/16 Spindle Not Shown	Yes
37	651F868	Spring, Rack (2)	Yes

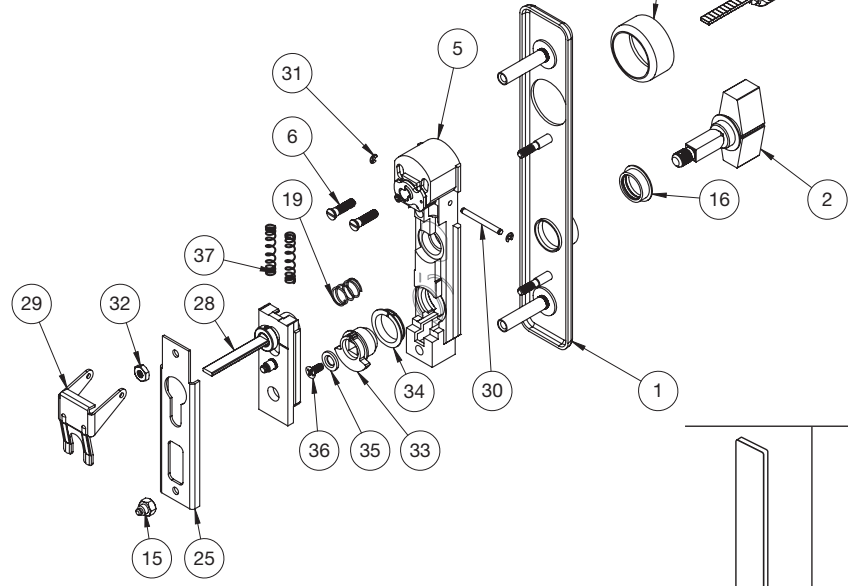
The warranty on Corbin Russwin products becomes void if the product is modified in any way, regardless of whether the modifications causes or contributes to any alleged defect. If a Corbin Russwin product is modified it may no longer meet industry certification and quality control standards applicable to the original product and is no longer a genuine Corbin Russwin product.

Copyright © 2000-2025, ASSA ABLOY Access and Egress Hardware Group, Inc. All rights reserved. Reproduction in whole or in part without the express written permission of ASSA ABLOY Access and Egress Hardware Group, Inc. is prohibited. Patent pending and/or patent www.assaabloydss.com/patents.




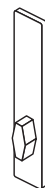


F457

F450



0810, 0855, 0859

			
(EO) Blank Plate	(NL) Access by Key	Cylinder Controls Thumbturn	Passage Active Turn
--	03	11/12	--
F450	F457	0855, 0859	0810

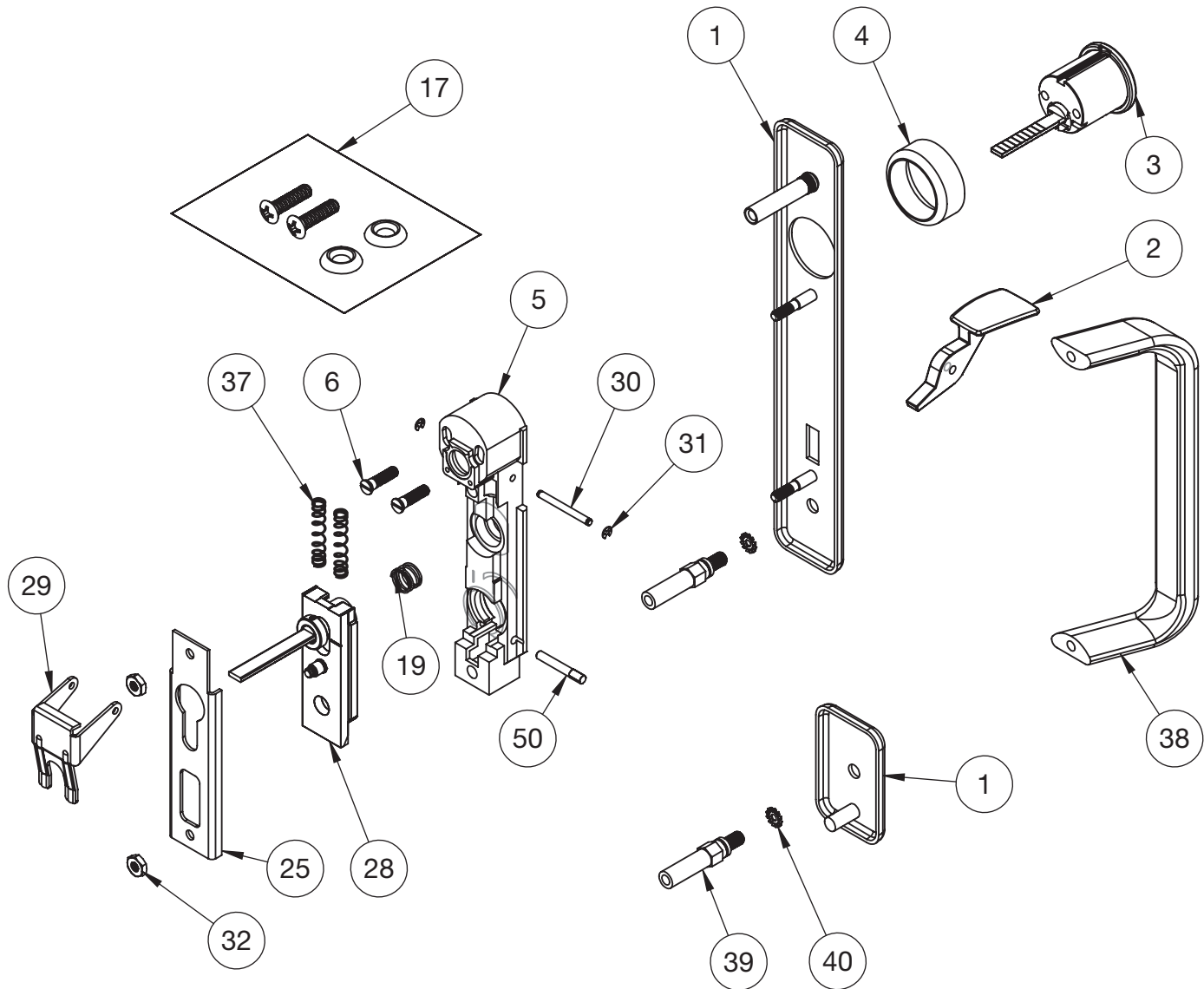
The warranty on Corbin Russwin products becomes void if the product is modified in any way, regardless of whether the modifications causes or contributes to any alleged defect. If a Corbin Russwin product is modified it may no longer meet industry certification and quality control standards applicable to the original product and is no longer a genuine Corbin Russwin product.

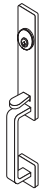
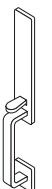
Copyright © 2000-2025, ASSA ABLOY Access and Egress Hardware Group, Inc. All rights reserved. Reproduction in whole or in part without the express written permission of ASSA ABLOY Access and Egress Hardware Group, Inc. is prohibited. Patent pending and/or patent www.assaabloydss.com/patents.

Item	Part No.	Description	Sellable
1	Escutcheon Assembly		
	651F09 x Fin	T1440 Top	Yes
	651F08 x Fin	T1455, T1459 Top	Yes
	651F10 x Fin	Bottom	Yes
2	566F50 x Fin	Thumbpiece	Yes
3	See Pages 63-64	Cylinder, Rim	
4	See Pages 63-64	Collar, Cylinder	
5	Housing, Cylinder, Gear		
	655F675	T1410	Yes
	655F685	T1455, T1459	Yes
6	655F028	Screw, Cylinder Mounting (2)	Yes
7	656F658	Screw, NL Function	Yes
17	652F10 x Fin	1 3/4" - 2" Door Screw Packet, Mtg.	Yes
	652F11 x Fin	2-1/4" Door Screw Packet, Mtg.	Yes
	Consists of the following: Screw, 1/4-20 x 1 OPHMS (1) Washer, #14 Finish (1)		
19	Spring Under Tailpiece T1455, T1459, T1410 Not Shown		
25	651F858	Plate, Cover	Yes
28	695F608	Rack & Tailpiece Assy	Yes
29	651F538	Lever, Clutch T1455, T1459	Yes
30	651F838	Pin, Clutch Lever T1455, T1459	Yes
31	651F898	Retainer, Clutch Lever Pin (2)T1455, T1459	Yes
32	651F888	Nut, Cover Plate (2)	Yes
37	651F868	Spring, Rack (2) Not Shown	Yes
38	651F37 x Fin	Pull, Offset	Yes
39	651F438	Screw Post (2)	Yes
40	651F448	Lockwasher, Screw (2)	Yes
50	651F988	Pin, 5/32 x 1-1/8, Groove Not Shown	Yes

The warranty on Corbin Russwin products becomes void if the product is modified in any way, regardless of whether the modifications causes or contributes to any alleged defect. If a Corbin Russwin product is modified it may no longer meet industry certification and quality control standards applicable to the original product and is no longer a genuine Corbin Russwin product.

Copyright © 2000-2025, ASSA ABLOY Access and Egress Hardware Group, Inc. All rights reserved. Reproduction in whole or in part without the express written permission of ASSA ABLOY Access and Egress Hardware Group, Inc. is prohibited. Patent pending and/or patent www.assaabloydss.com/patents.



	
Cylinder Controls T-Piece	Passage Active T-Piece
05/06	--
T1455, T1459	T1410

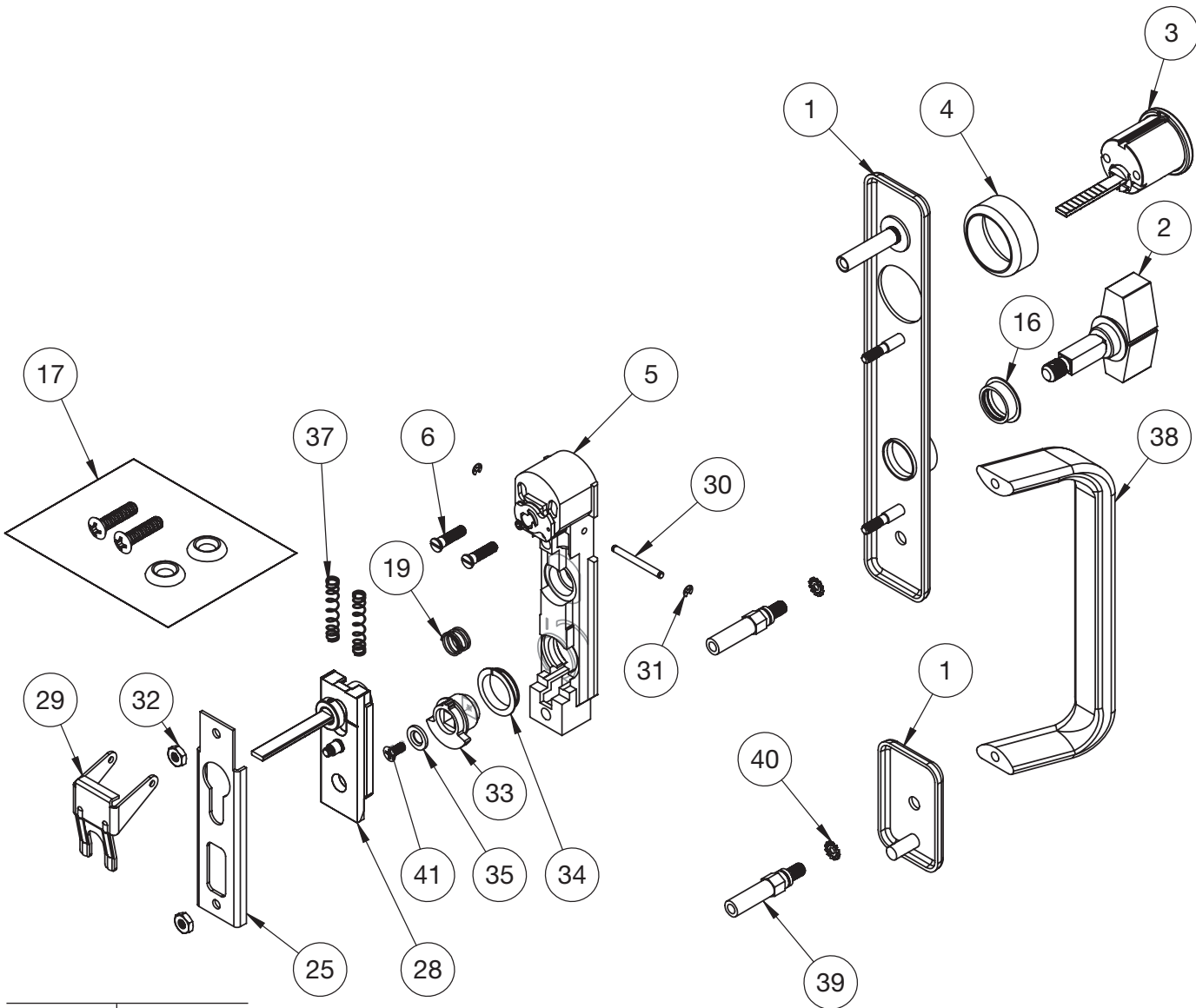
The warranty on Corbin Russwin products becomes void if the product is modified in any way, regardless of whether the modifications causes or contributes to any alleged defect. If a Corbin Russwin product is modified it may no longer meet industry certification and quality control standards applicable to the original product and is no longer a genuine Corbin Russwin product.

Copyright © 2000-2025, ASSA ABLOY Access and Egress Hardware Group, Inc. All rights reserved. Reproduction in whole or in part without the express written permission of ASSA ABLOY Access and Egress Hardware Group, Inc. is prohibited. Patent pending and/or patent www.assaabloydss.com/patents.

Item	Part No.	Description	Sellable
1	Escutcheon Assembly		
	656F63 x Fin	01455, 01459 top	Yes
	656F62 x Fin	01410 Top	Yes
	651F10 x Fin	Bottom	Yes
2	656F53 x Fin	Thumbturn/Spindle Assy.	Yes
3	See Pages 63-64	Cylinder, Rim	
4	See Pages 63-64	Collar, Cylinder	
5	Housing , Cylinder		
	655F685	01455, 01459	Yes
	655F675	01410	Yes
6	655F028	Screw, Cylinder Mounting (2)	Yes
7	656F658	Screw, NL Function	Yes
16	651F389	Thimble Insert, Nylon Not Shown	Yes
17	Screw Packet, Mtg.		
	652F108 x Fin	1-3/4" - 2" Door	Yes
	652F118 x Fin	2-1/4" Door	Yes
	Consists of the following: Screw, 1/4-20 x 1 OPHMS (1) Washer, #14 Finish (1)		
19	651F408	Spring Under Tailpiece 01455, 01459 Not Shown	Yes
25	651F858	Plate, Cover	Yes
28	651F828	Rack & Tailpiece Assy	Yes
29	651F538	Lever, Clutch 01455, 01459	Yes
30	651F838	Pin, Clutch Lever 01455, 01459	Yes
31	651F898	Retainer, Clutch Lever Pin (2) 01455, 01459	Yes
32	651F888	Nut, Cover Plate (2)	Yes
33	652F228	Cam Not Shown	Yes
34	652F239	Bearing, Nylon Not Shown	Yes
35	651F848	Washer, Grip Not Shown	Yes
37	651F868	Spring, Rack (2) Not Shown	Yes
38	651F37 x Fin	Pull, Offset	Yes
39	651F438	Screw Post (2)	Yes
40	651F448	Lockwasher, Screw Post (2)	Yes
50	651F958	Pin, 5/32 x 1-1/8, Groove Not Shown	Yes

The warranty on Corbin Russwin products becomes void if the product is modified in any way, regardless of whether the modifications causes or contributes to any alleged defect. If a Corbin Russwin product is modified it may no longer meet industry certification and quality control standards applicable to the original product and is no longer a genuine Corbin Russwin product.

Copyright © 2000-2025, ASSA ABLOY Access and Egress Hardware Group, Inc. All rights reserved. Reproduction in whole or in part without the express written permission of ASSA ABLOY Access and Egress Hardware Group, Inc. is prohibited. Patent pending and/or patent www.assaabloydss.com/patents.



Cylinder Controls T-Turn	(Passage) Active T-Turn
11/12	--
01455, 01459	01410

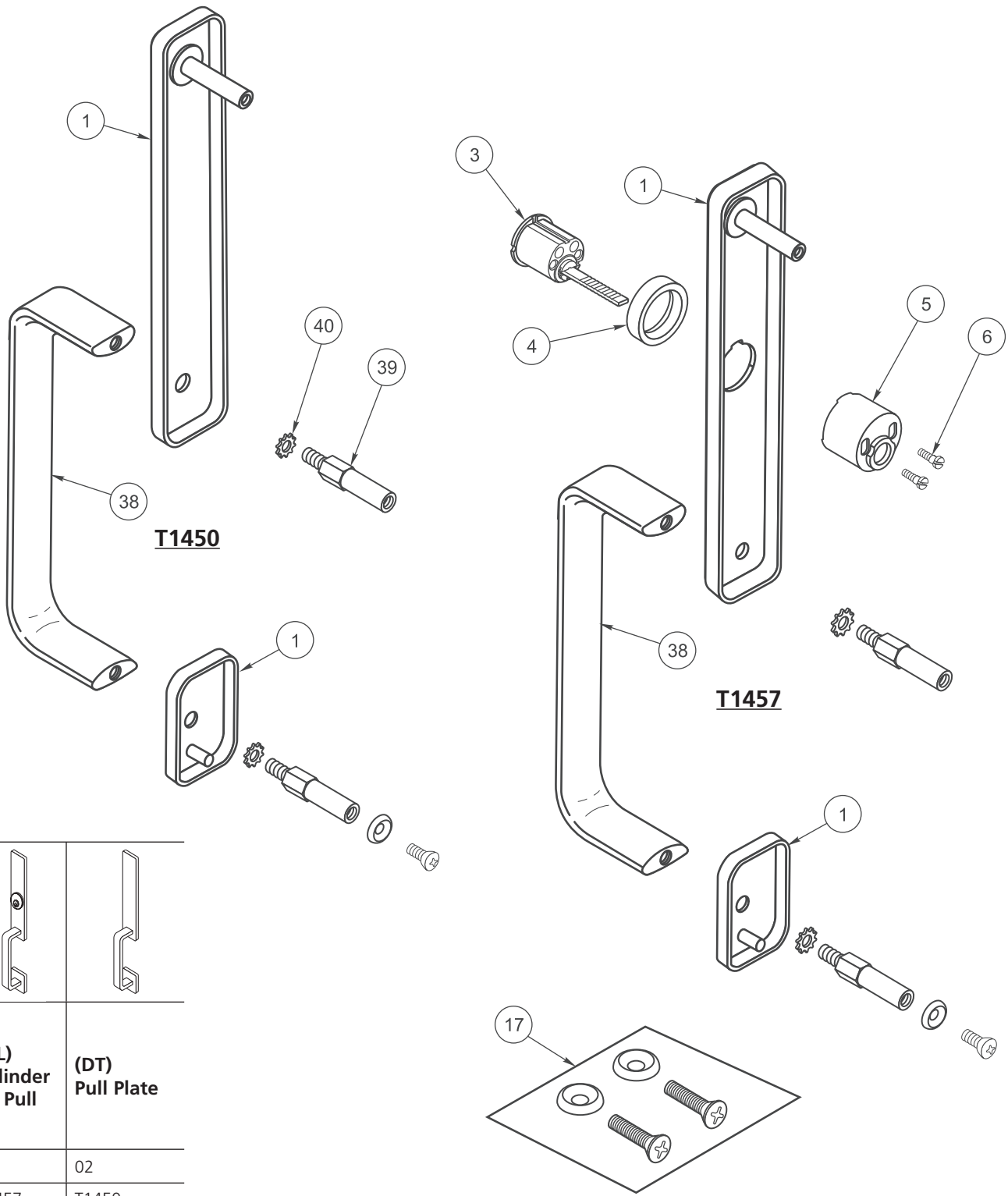
The warranty on Corbin Russwin products becomes void if the product is modified in any way, regardless of whether the modifications causes or contributes to any alleged defect. If a Corbin Russwin product is modified it may no longer meet industry certification and quality control standards applicable to the original product and is no longer a genuine Corbin Russwin product.

Copyright © 2000-2025, ASSA ABLOY Access and Egress Hardware Group, Inc. All rights reserved. Reproduction in whole or in part without the express written permission of ASSA ABLOY Access and Egress Hardware Group, Inc. is prohibited. Patent pending and/or patent www.assaabloydss.com/patents.

Item	Part No.	Description	Sellable
1	Escutcheon Assembly		
	651F04 x Fin	T1457 Top	Yes
	651F06 x Fin	T1450 Top	Yes
	651F10 x Fin	Bottom	Yes
3	See Pages 63-64	Cylinder, Rim	
4	See Pages 63-64	Collar, Cylinder	
5	651F425	Housing, Cylinder T1457	Yes
6	655F028	Screw, Cylinder Mounting (2)	Yes
17	Screw Packet, Mtg.		
	652F108 x Fin	1-3/4" - 2" Door	Yes
	652F118 x Fin	2-1/4" Door	Yes
	Consists of the following: Screw, 1/4-20 x 1 OPHMS (1) Washer, #14 Finish (1)		
38	651F37 x Fin	Pull, Offset	Yes
39	651F438	Screw Post (2)	Yes
40	651F448	Lockwasher, Screw Post (2)	Yes

The warranty on Corbin Russwin products becomes void if the product is modified in any way, regardless of whether the modifications causes or contributes to any alleged defect. If a Corbin Russwin product is modified it may no longer meet industry certification and quality control standards applicable to the original product and is no longer a genuine Corbin Russwin product.

Copyright © 2000-2025, ASSA ABLOY Access and Egress Hardware Group, Inc. All rights reserved. Reproduction in whole or in part without the express written permission of ASSA ABLOY Access and Egress Hardware Group, Inc. is prohibited. Patent pending and/or patent www.assaabloydss.com/patents.



(NL) Cylinder by Pull	(DT) Pull Plate
03	02
T1457	T1450

The warranty on Corbin Russwin products becomes void if the product is modified in any way, regardless of whether the modifications causes or contributes to any alleged defect. If a Corbin Russwin product is modified it may no longer meet industry certification and quality control standards applicable to the original product and is no longer a genuine Corbin Russwin product.

Copyright © 2000-2025, ASSA ABLOY Access and Egress Hardware Group, Inc. All rights reserved. Reproduction in whole or in part without the express written permission of ASSA ABLOY Access and Egress Hardware Group, Inc. is prohibited. Patent pending and/or patent www.assaabloydss.com/patents.

Georgia

Part No.	Description
800*02 x Fin	101
800*807 x Fin	102
800*12 x Fin	103
800*17 x Fin	104
801*72 x Fin	124
801*77 x Fin	125

Jackson

Part No.	Description
800*22 x Fin	105
801*27 x Fin	119 RHR
801*32 x Fin	119 LHR
801*42 x Fin	121 RHR
801*47 x Fin	121 LHR
801*52 x Fin	122 RHR
801*57 x Fin	122 LHR
801*92 x Fin	127 RHR
801*97 x Fin	127 LHR

Marc

Part No.	Description
800*52 x Fin	111 RHR
800*57 x Fin	111 LHR
800*62 x Fin	112 RHR
800*67 x Fin	112 LHR
800*72 x Fin	113 RHR
800*77 x Fin	113 LHR
800*82 x Fin	114 RHR
800*87 x Fin	114 LHR
800*92 x Fin	115 RHR
800*97 x Fin	115 LHR
801*02 x Fin	116 RHR
801*07 x Fin	116 LHR
802*12 x Fin	130 RHR
802*17 x Fin	130 LHR
800*22 x Fin	131 RHR
800*827 x Fin	131 LHR
800*32 x Fin	132 RHR
800*37 x Fin	132 LHR

Pablo

Part No.	Description
801*12 x Fin	117
801*82 x Fin	126 RHR
801*87 x Fin	126 LHR

Salvador

Part No.	Description
800*27 x Fin	106
800*32 x Fin	107
800*37 x Fin	108
800*42 x Fin	109
800*47 x Fin	110
801*62 x Fin	123
802*02 x Fin	128

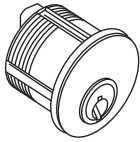
Piet

Part No.	Description
802*46 x 629	21G 29 29 29
803*56 x 629	21G 29 30 29
804*91 x 630	21G 30 30 30
804*96 x 630	21G 30 29 30
802*82 x 630	21L 30 BK 30
802*87 x 630	21L 30 BN 30
802*92 x 629	21L 29 BK 29
807*97 x 629	21L 29 BN 29
803*02 x 629	21M 29 30 29
803*07 x 630	21S 30 BK 30
803*12 x 629	21S 29 BK 30
803*17 x 630	21W 30 BH 30
803*22 x 629	21W 29 BH 29
803*27 x 629	23M 29 00 30
803*42 x 629	23M 29 00 29
803*47 x 630	23M 30 00 30
803*52 x 630	23M 30 00 29
803*32 x 629	25M 29 00 29
803*37 x 630	25M 30 00 30
804*877 x 629	27M 29 00 29
804*877 x 629	27M 30 00 30

The warranty on Corbin Russwin products becomes void if the product is modified in any way, regardless of whether the modifications causes or contributes to any alleged defect. If a Corbin Russwin product is modified it may no longer meet industry certification and quality control standards applicable to the original product and is no longer a genuine Corbin Russwin product.

Copyright © 2000-2025, ASSA ABLOY Access and Egress Hardware Group, Inc. All rights reserved. Reproduction in whole or in part without the express written permission of ASSA ABLOY Access and Egress Hardware Group, Inc. is prohibited. Patent pending and/or patent www.assaabloydss.com/patents.

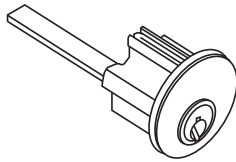
700 Series KRM* & Cylinder Dogging Mortise cylinders



Description	Part Number	Cylinder Collar
6-pin	1000-118-A02	None Required
7-pin	1000-114-A02-7	422F88M x Fin
6-pin, IC	1080-114-A02	422F88M x Fin
7-pin, IC	1080-112-A02-7	686F98M x Fin
6-pin, IC, less core	1070-114-A02	422F88M x Fin
7-pin, IC, less core	1070-112-A02-7	686F98M x Fin
6-pin, Security	1010-118-A02	None Required
6-pin, Security IC	1090-114-A02	422F88M x Fin
7-pin, Pyramid High Security	1020-114-A02	422F88M x Fin
7-pin, Pyramid High Security IC	1030-114-A02	422F88M x Fin
7-pin, Pyramid Security	1027-114-A02	422F88M x Fin
7-pin, Pyramid IC Security	1037-114-A02	422F88M x Fin

*The 700 series key removable mullion was discontinued on January 1, 2010. The cylinders and cylinder rings are listed for reference only.

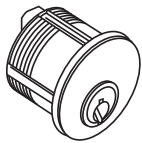
900 Series Trim Rim cylinders



Description	Part Number	Cylinder Collar	57 Function Part Number	Cylinder Collar**
6-pin	3000-058	None Required	3000-200N*	None Required
7-pin	3000-058-7	422F88	3000-200-7	422F88
6-pin, IC	3080-058	422F88	3080-178	422F88
7-pin, IC	3080-058-7	686F98	3080-178-7	686F98
6-pin, IC, less core	3070-058	422F88	3070-178	422F88
7-pin, IC, less core	3070-058-7	686F98	3070-178-7	686F98
6-pin, Security	3010-058	None Required	3010-200	422F88
6-pin, Security IC	3090-058	422F88	3090-178	422F88
7-pin, Pyramid	3020-058	422F88	3020-200N	422F88
7-pin, Pyramid IC	3030-058	422F88	3030-178	422F88
7-pin, Pyramid Security	3027-058	422F88	3027-200N	422F88
7-pin, Pyramid Security	3037-058	422F88	3037-178	422F88

*For K157, substitute -200
**K157 uses the 270F15 cylinder ring

900 Series KRM Mortise cylinders

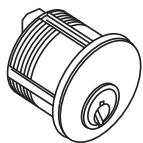


900 Series KRM
Mortise cylinders

Description	Part Number	Quick Code	900 Series Cylinder Collar			WS700 Series Cylinder Collar		
			1-1/8"	1-1/4" or 1-1/4" IC	1-1/2" IC	1-1/8"	1-1/4" or 1-1/4" IC	1-1/2" IC
6-Pin	1000-118-A62	6P						
7-Pin	1000-114-A62-7	7P						
6-Pin, IC	1080-114-A62	C6						
7-Pin, IC	1080-112-A62-7	C7						
7-pin, Pyramid High Security	1020-114-A62	PHS						
7-pin, Pyramid Security	1027-114-A62	PS						
7-pin, Pyramid High Security IC	1030-114-A62	PCHS	610F01*	447F43*	609F37*	447F42*	610F01*	609F36*
7-pin, Pyramid Security IC	1037-114-A62	PCS						
Security	1010-118-A62	HS						
Security IC	1090-114-A62	CHS						
6-pin, IC, less core	1070-114-A62	CL6						
7-pin, IC, less core	1070-112-A62-7	CL7						

*Specify Finish

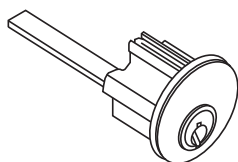
900 Series Mortise Trim Mortise cylinders



Description	Part Number	Cylinder Collar
6-pin	1000-134-A02	None Required
7-pin	1000-134-A02-7	None Required
6-pin, IC	1080-134-A02	None Required
7-pin, IC	1080-134-A02-7	None Required
6-pin, IC, less core	1070-134-A02	None Required
7-pin, IC, less core	1070-134-A02-7	None Required
6-pin, Security	1010-134-A02	None Required
6-pin, Security IC	1090-134-A02	None Required
7-pin, Pyramid High Security	1020-134-A02	None Required
7-pin, Pyramid IC High Security	1030-134-A02	None Required
7-pin, Pyramid Security	1027-134-A02	None Required
7-pin, Pyramid Security IC	1037-134-A02	None Required

The warranty on Corbin Russwin products becomes void if the product is modified in any way, regardless of whether the modifications causes or contributes to any alleged defect. If a Corbin Russwin product is modified it may no longer meet industry certification and quality control standards applicable to the original product and is no longer a genuine Corbin Russwin product.

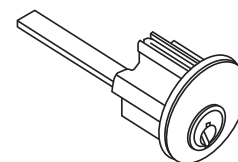
Copyright © 2000-2025, ASSA ABLOY Access and Egress Hardware Group, Inc. All rights reserved. Reproduction in whole or in part without the express written permission of ASSA ABLOY Access and Egress Hardware Group, Inc. is prohibited. Patent pending and/or patent www.assaabloydss.com/patents.



ED5602 Double Cylinder Exit Device
Rim cylinders

Inside Cylinder For ED5602 Double Cylinder Exit Device
Rim cylinders

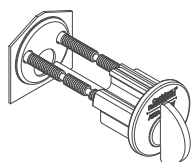
Description	Part Number	Cylinder Collar
6-pin	3000-200	270F15
7-pin	3000-200-7	654F07
6-pin, IC	3080-178	654F07
7-pin, IC	3080-178-7	654F08
6-pin, IC, less core	3070-178	654F07
7-pin, IC, less core	3070-178-7	654F08
6-pin, Security	3010-200	654F07
6-pin, Security IC	3090-178	654F07
7-pin, Pyramid	3020-200	654F07
7-pin, Pyramid IC	3030-178	654F07
7-pin, Pyramid Security	3027-200	654F07
7-pin, Pyramid Security	3037-178	654F07



ED5202 Double Cylinder Exit Device
Rim cylinders

ED5202 Double Cylinder Exit Device
Rim cylinders

Description	Part Number	Cylinder Collar
6-pin	3000-138	270F15
7-pin	3000-138-7	654F07
6-pin, IC	3080-114	654F07
7-pin, IC	3080-114-7	654F08
6-pin, IC, less core	3070-114	654F07
7-pin, IC, less core	3070-114-7	654F08
6-pin, Security	3010-138	654F07
6-pin, Security IC	3090-114	654F07
7-pin, Pyramid	3020-138	654F07
7-pin, Pyramid IC	3030-114	654F07
7-pin, Pyramid Security	3027-138	654F07
7-pin, Pyramid Security	3037-114	654F07



Rim Thumbturn

Description	Part Number
Rim Thumbturn - 1-3/8"	3300 -138
Rim Thumbturn - 1-3/8" - Ergonomic	3300-138-M34
Rim Thumbturn - 2"	3300-200
Rim Thumbturn - 2" - Ergonomic	3300-200-M34

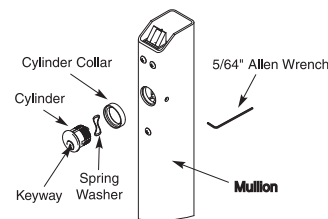
Cylinder Mullion Kit

Mullion Cylinder Kit #	Available with the Following Mullion Series:
CRMCK1	CR972KM
	CR972BKM
	CR910BKM
	CR908KMSM
CRMCK2	CRWS772AKM
	CRWS708AKM

Note: Mullion cylinder kit contains washer, collar and cylinder
 *Specify finishes and cylinder code when ordering
 **See page 56 for cylinder codes

Ex: CRMCK1 x Finish x Cylinder Code (i.e. CRMCK1 x 630 x 6P)

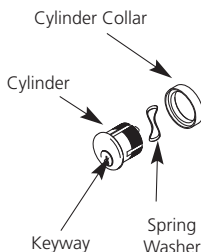
Note: Cylinder Mullion Kit contains cylinder, collar and spring washer.



900 Series KRM Cylinder Collar Packet

Mullion Series	Cylinder Length and Type			
	1-1/8"	1-1/4"	1-1/4" IC	1-1/2" IC
WS707AKM WS708AKM	447F42*		610F01*	609F36*
907BKM 908BKM 910KM	610F01*		447F43*	609F37*

Note: Cylinder collar packets contain a collar and spring washer.
 *Specify finish when ordering packets.



The warranty on Corbin Russwin products becomes void if the product is modified in any way, regardless of whether the modifications causes or contributes to any alleged defect. If a Corbin Russwin product is modified it may no longer meet industry certification and quality control standards applicable to the original product and is no longer a genuine Corbin Russwin product.

Copyright © 2000-2025, ASSA ABLOY Access and Egress Hardware Group, Inc. All rights reserved. Reproduction in whole or in part without the express written permission of ASSA ABLOY Access and Egress Hardware Group, Inc. is prohibited. Patent pending and/or patent www.assaabloydss.com/patents.

Rim Devices

standard		optional (S02)		standard	
650F308	ED5200 (A) ED4200M (A)	655F718	ED5200 ED5200S ED4200S ED4200SM	650F318	ED4200 ED4200S
730F778	ED5200S (A) ED4200SM (A)				

Rim Devices

standard		standard		standard		standard	
650F548	ED5400 (A) Top ED5800 (A) Top	650F878	Bracket for SVR Top Strike in Flush Transom Opening	681F778	ED5860B Top	681F708	ED5470B
				650F888			

Mortise Devices

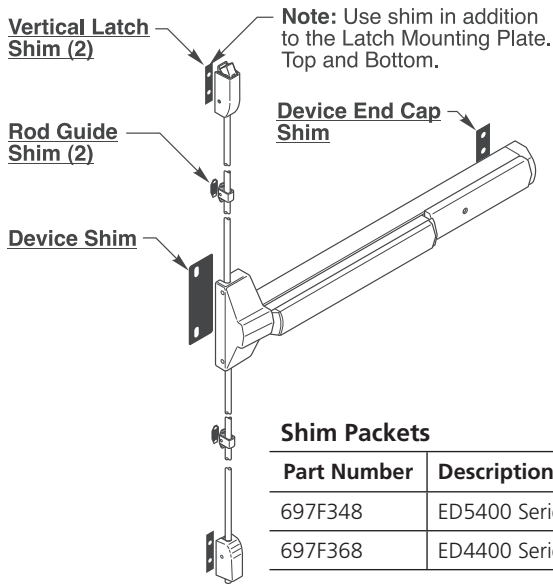
standard		standard box		open back strike	
650L657020	All Mortise Std 1-3/4 \" Doors (Nonhanded)	120F768	for ANSI Prep	653L183016	for door pair when code allows use

The warranty on Corbin Russwin products becomes void if the product is modified in any way, regardless of whether the modifications causes or contributes to any alleged defect. If a Corbin Russwin product is modified it may no longer meet industry certification and quality control standards applicable to the original product and is no longer a genuine Corbin Russwin product.

Copyright © 2000-2025, ASSA ABLOY Access and Egress Hardware Group, Inc. All rights reserved. Reproduction in whole or in part without the express written permission of ASSA ABLOY Access and Egress Hardware Group, Inc. is prohibited. Patent pending and/or patent www.assaabloydss.com/patents.

Shim Kits

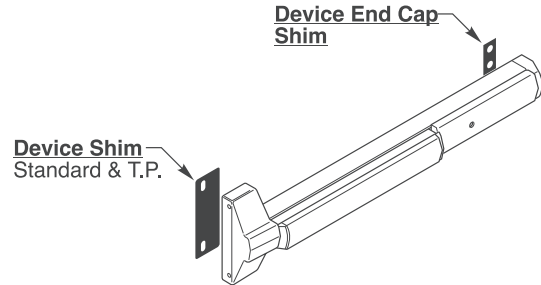
For Surface Vertical Rod Exit Device



Shim Packets

Part Number	Description	Sellable
697F348	ED5400 Series	Yes
697F368	ED4400 Series	Yes

For Rim, Mortise, and CVR Exit Device



Shim Packets

Part Number	Description	Sellable
697F338	ED5200, ED5600, ED5800 Series	Yes
697F358	ED4200, ED4800 Series	Yes

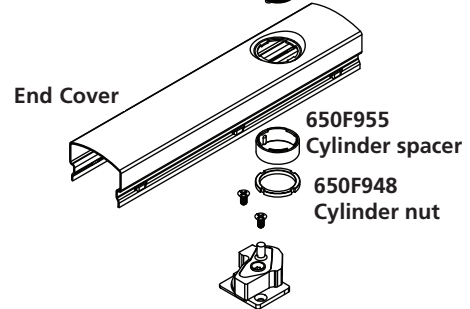
Cylinder Dogging Kits

Designed to convert a panic device from hex key dogging to cylinder dogging.

Not permitted on fire-rated devices.

Bar Length	Part No.	Sellable
36"	653F12M x FIN	Yes
36" NS	653F13M x FIN	Yes
48"	865F14M x FIN	Yes
Dogging assembly only (No length required)	865F128	Yes

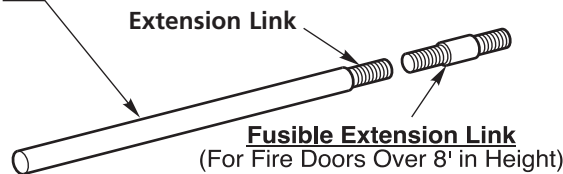
CR1000-118-A02 Cylinder



Surface and Concealed Vertical Rod Extension Kits

Used to extend the height of standard length rods.

Rod Extension Assembly



Description	Part Number	Sellable
2"	655F15 x Fin (Panic)	Yes
6"	655F16 x Fin (Panic)	Yes
12"	655F17 x Fin (Panic)	Yes
12"	655F17 x Fin (Fire rated)	Yes
24"	684F42 x Fin (Fire rated)	Yes

Retro Fit Kits

M69 Schlage® Cam and Housing Assembly



Part Number	Sellable
720F685	Yes

The warranty on Corbin Russwin products becomes void if the product is modified in any way, regardless of whether the modifications causes or contributes to any alleged defect. If a Corbin Russwin product is modified it may no longer meet industry certification and quality control standards applicable to the original product and is no longer a genuine Corbin Russwin product.

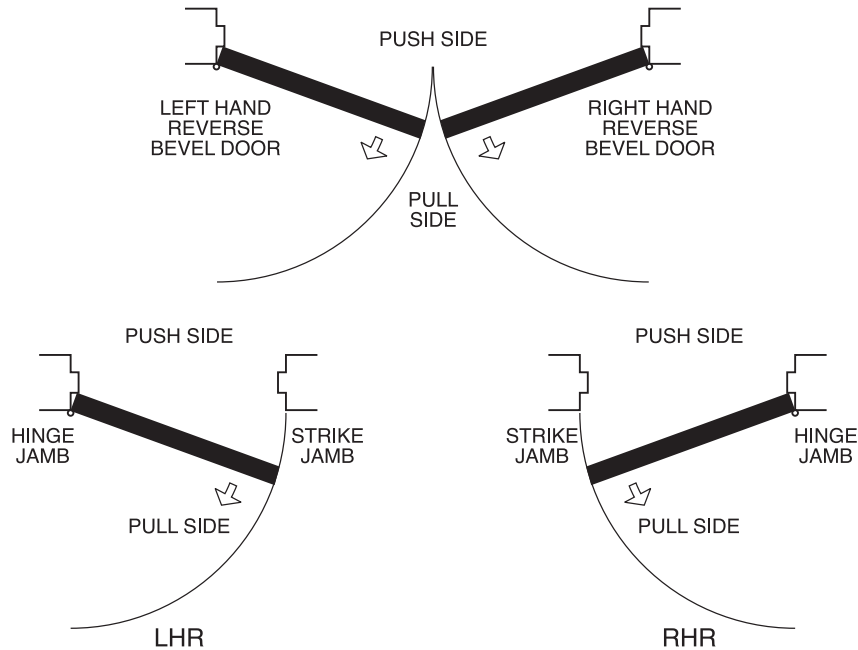
Copyright © 2000-2025, ASSA ABLOY Access and Egress Hardware Group, Inc. All rights reserved. Reproduction in whole or in part without the express written permission of ASSA ABLOY Access and Egress Hardware Group, Inc. is prohibited. Patent pending and/or patent www.assaabloydss.com/patents.

Handing

Left Hand Reverse: Hinges on left, opens outward.
For handed devices, specify LHR.

Right Hand Reverse: Hinges on right, opens outward.
For handed devices, specify RHR.

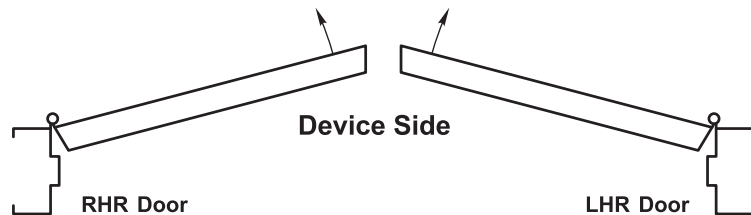
Note: Doors with Panic-Exit and Fire Exit hardware must open out. Therefore, hands must be reverse bevel.



Rim Devices

ED5200 (A), ED5200S (A), ED4200, ED4200S, ED4200SM (A), ED4200M (A) Series

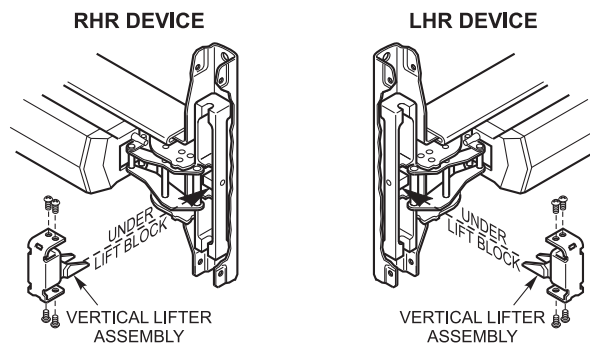
These devices are non-handed.



Vertical Rod Devices, Surface and Concealed ED5400 (A), ED5470 (B), ED5800 (A), ED5860 (B), ED4400, ED4400M (A), ED4800, ED4800M (A)

Remove four screws and vertical lifter assembly. Turn device to opposite (180 degrees) orientation, insert lifter assembly and reinstall screws.

NOTE: Lifter must fit under lift block as shown.



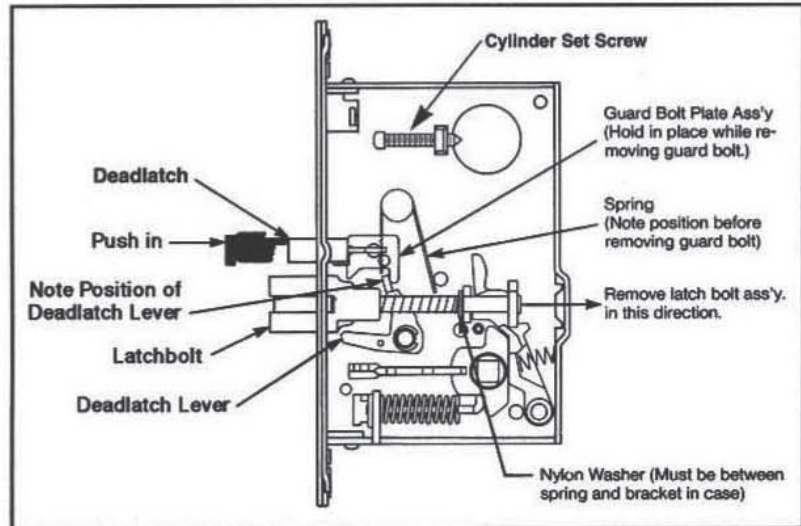
The warranty on Corbin Russwin products becomes void if the product is modified in any way, regardless of whether the modifications causes or contributes to any alleged defect. If a Corbin Russwin product is modified it may no longer meet industry certification and quality control standards applicable to the original product and is no longer a genuine Corbin Russwin product.

Copyright © 2000-2025, ASSA ABLOY Access and Egress Hardware Group, Inc. All rights reserved. Reproduction in whole or in part without the express written permission of ASSA ABLOY Access and Egress Hardware Group, Inc. is prohibited. Patent pending and/or patent www.assaabloydss.com/patents.

Mortise Devices 5600(A) Series

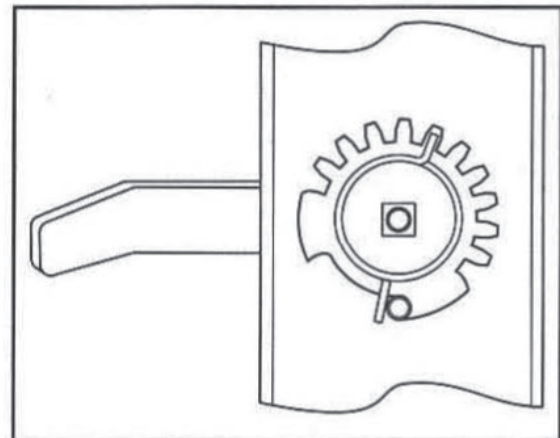
To reverse, remove latch bolt and deadlatch, flip both over and reinstall. Also flip cylinder set screw and clamp assembly.

Illustration depicts typical lockbody with cover removed. Only components relevant to lock handing are shown. Other components vary according to lock function.

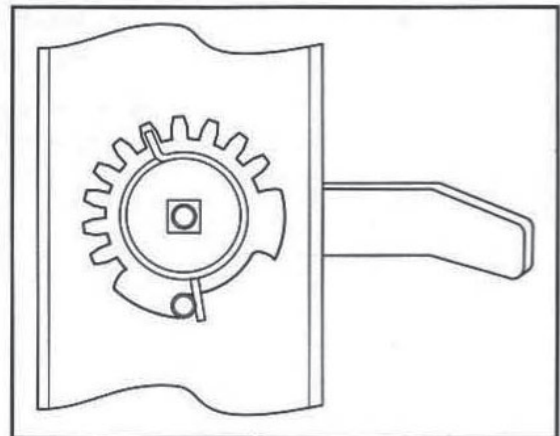


x900 Lever Handle Trim

1. Remove cotter pin.
2. Remove castle nut.
3. Observe spring orientation:
LHR: Red spring (part # 651F61-8)
 Short lead is at 11 o'clock and long lead is to lever side of stump at 6 o'clock.
RHR: Blue spring (part # 651F628)
 Short lead is at 11 o'clock and long lead is to lever side of stump at 6 o'clock.
4. Remove round housing, spring and spacer.
5. Note orientation of "Mgap" which governs rotation in gear and remove gear.
6. Rotate lever 180°.
7. Flip gear over and reinstall, observing proper gap orientation for new direction of rotation:
LHR 6 - 8 o'clock
RHR 4 - 6 o'clock
8. Install spring of opposite hand (color). Place spring around spindle with long lead against gear and to lever side of post. Place housing (gap side toward lever) over spring and spindle until square in housing begins to slide down on spindle. While applying downward pressure on housing, wind short lead of spring toward lever until housing snaps into place.
9. Replace spacer in housing. Spring, housing and spacer should now be oriented as indicated in step 3 above.
 Note: Housing gap will always be to the lever side and spring will be slightly pre loaded when properly installed.
10. Be sure lever thimble is seated properly in escutcheon. Reinstall nut but do not over tighten. Lever should rotate freely.
11. Replace cotter pin.



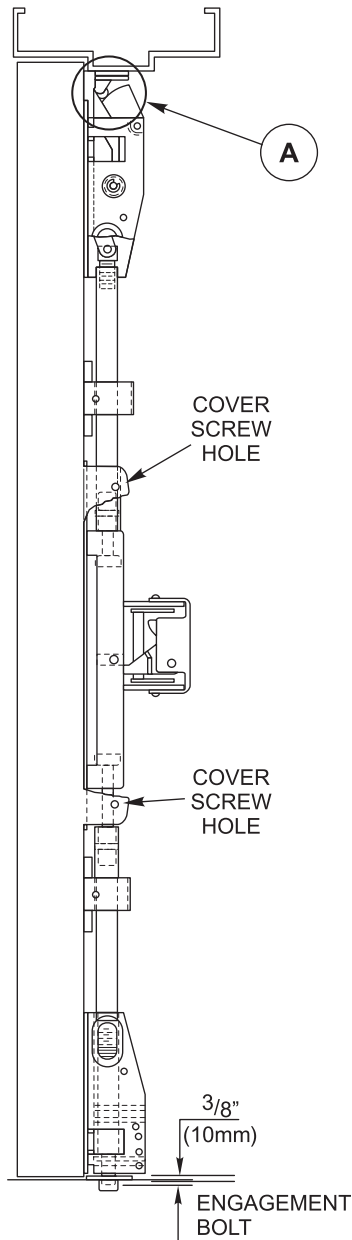
Right-hand reverse (blue spring)



Left-hand reverse (red spring)

The warranty on Corbin Russwin products becomes void if the product is modified in any way, regardless of whether the modifications causes or contributes to any alleged defect. If a Corbin Russwin product is modified it may no longer meet industry certification and quality control standards applicable to the original product and is no longer a genuine Corbin Russwin product.

Copyright © 2000-2025, ASSA ABLOY Access and Egress Hardware Group, Inc. All rights reserved. Reproduction in whole or in part without the express written permission of ASSA ABLOY Access and Egress Hardware Group, Inc. is prohibited. Patent pending and/or patent www.assaabloydss.com/patents.



If top latch does not engage properly, check alignment. When locked, latch bolt should not be preloaded by strike (**Area A**). Shim or reposition strike if necessary.

Bolts extend automatically when door closes and top strike hits tripping lever. Top bolt should retract flat. Bottom bolt should travel 1/2" and engage 3/8" into strike in down position, without dragging on floor surface in up position.

Rod Adjustment

1. Remove active case cover screws and cover.
2. Remove rod guide cover screws and rod guide covers. Tilt rods, top and bottom, out of engagement in active case and out of rod guides.
3. **Adjust top rod first.** Push up on top rod to fully retract top latch with hold back feature engaged. With device in dogged position (panic devices) or Pushpad fully depressed (fire devices), adjust top rod so that the square head of the rod connector slides into engagement in the active case. Shorten rod an additional 1/2 turn.
4. **Adjust bottom rod.** With top rod engaged, top latch retracted in hold back position, and touch bar dogged or fully depressed, adjust bottom rod so that the deadbolt clears the strike by 1/16". The bottom rod should be in position in the active case with the square head of the connector hanging in the slide.
5. **Check device operation** by opening and closing the door. When present, operate the device with the outside trim. An additional minor adjustment may be required for full retraction and correct strike engagement.
6. Reinstall the rod guide covers and the active case cover.

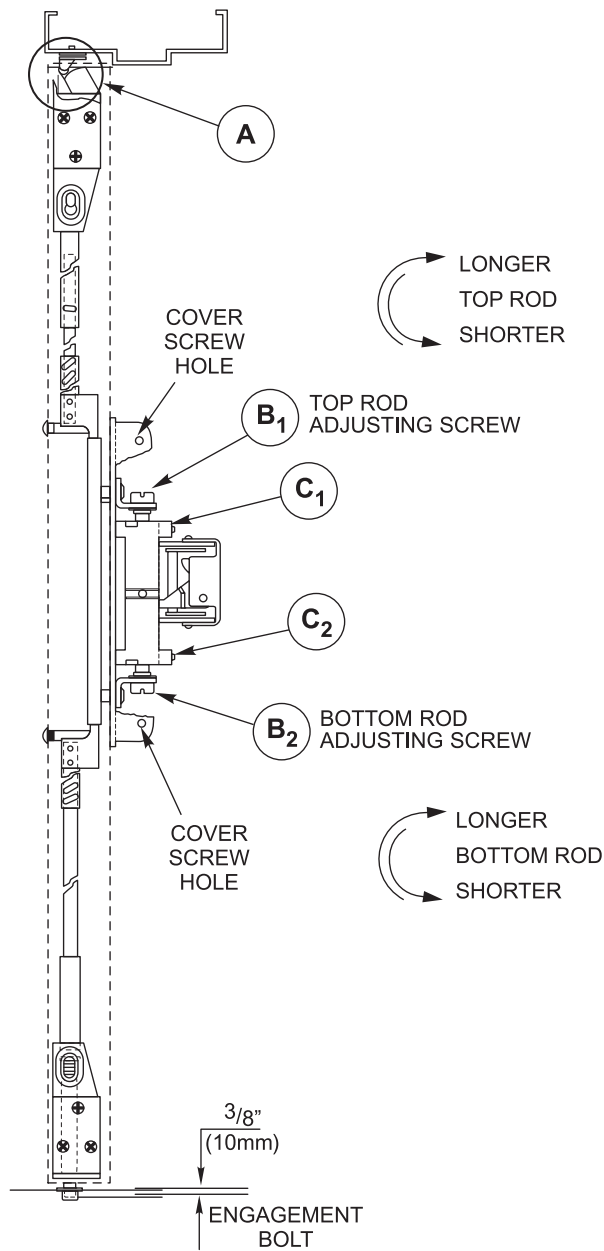
Maintenance

1. Periodically remove covers and coat mechanisms with an appropriate lubricant. This is regularly required in corrosive environments for proper product operation.
2. Check mounting fasteners periodically. Retighten if found loose. Apply screw locking compound or change part fasteners if screws continue to back out.
3. Periodic checks and adjustments of rods may be required to compensate for door or frame sag.

ED5400

The warranty on Corbin Russwin products becomes void if the product is modified in any way, regardless of whether the modifications causes or contributes to any alleged defect. If a Corbin Russwin product is modified it may no longer meet industry certification and quality control standards applicable to the original product and is no longer a genuine Corbin Russwin product.

Copyright © 2000-2025, ASSA ABLOY Access and Egress Hardware Group, Inc. All rights reserved. Reproduction in whole or in part without the express written permission of ASSA ABLOY Access and Egress Hardware Group, Inc. is prohibited. Patent pending and/or patent www.assaabloydss.com/patents.



ED5800

Rods should move freely inside door. Bolts extend automatically when door closes and top strike is tripped. Top bolt should retract flat. Bottom bolt should travel 1/2" and engage 3/8" into strike in down position, without dragging on floor surface in up position.

If top latch does not engage properly check alignment. When locked, latch bolt should not be preloaded by strike (Area A). Shim or reposition strike if necessary.

Rod Adjustment for Bolt Throw

1. Remove Latch assembly cover screws and cover.
2. Use 3/32" Allen wrench to loosen set screws **C₁** and **C₂**.
3. Adjusting screws **B₁** and **B₂** only provide fine rod adjustment. If screws bottom out before proper device operation, door and device must be removed. Larger adjustments may then be made either by threading rod in or out, or by moving cotter pin to different hole in rod.
4. **Adjust top rod first.** With device in dogged position (panic devices) or Pushpad fully depressed (fire devices), adjust top rod so that the top latchbolt is flush and the hold back feature is engaged. Lengthen top rod an additional 1/2 turn.
5. **Adjust bottom rod.** With top latch retracted in hold back position, and touch bar dogged or fully depressed, adjust bottom rod so that the deadbolt clears the strike by 1/16". The bottom rod should be in position in the active case with the square head of the connector hanging in the slide.
6. **Check device operation** by opening and closing the door. When present, operate the device with the outside trim. An additional minor adjustment may be required for full retraction and correct strike engagement.
7. When finished, lock adjusting screws in place with Allen set screws.

Caution: To avoid thread damage and provide positive locking, be sure Allen set screws engage flats on adjusting screws.

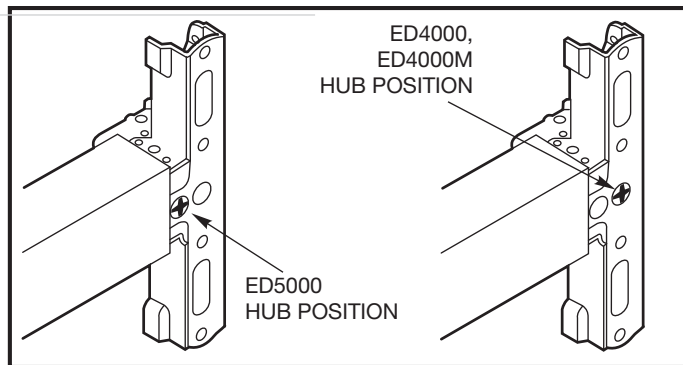
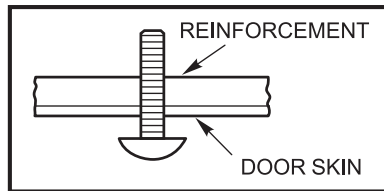
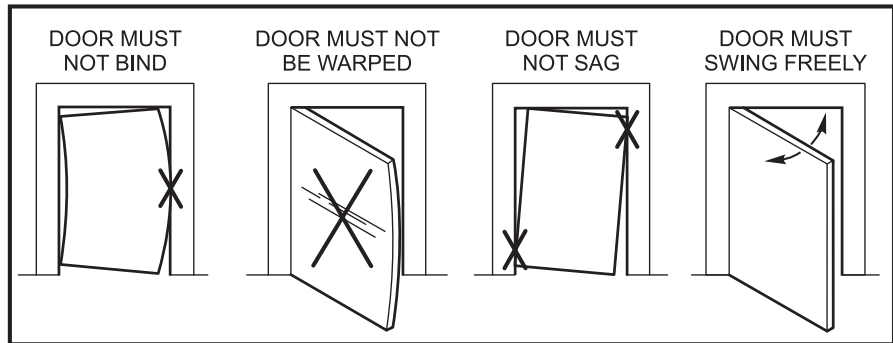
Maintenance

1. Periodically remove covers and coat exposed mechanisms with an appropriate lubricant. This is regularly required in corrosive environments for proper product operation.
2. Check mounting fasteners periodically. Retighten if found loose. Apply screw locking compound or change part fasteners if screws continue to back out.
3. Periodic checks and adjustments of rods may be required to compensate for door or frame sag.

The warranty on Corbin Russwin products becomes void if the product is modified in any way, regardless of whether the modifications causes or contributes to any alleged defect. If a Corbin Russwin product is modified it may no longer meet industry certification and quality control standards applicable to the original product and is no longer a genuine Corbin Russwin product.

Copyright © 2000-2025, ASSA ABLOY Access and Egress Hardware Group, Inc. All rights reserved. Reproduction in whole or in part without the express written permission of ASSA ABLOY Access and Egress Hardware Group, Inc. is prohibited. Patent pending and/or patent www.assaabloydss.com/patents.

1. Many problems with the operation of exit devices are caused by factors other than the device itself. Among the most common is a misalignment or an improper fit of the door within the frame.
2. Another common source of problems is improper installation. Even if all cutouts and screw holes are properly located, exit devices must be securely fastened to properly reinforced doors. Hollow doors and frames with a structural thickness (metal skin plus reinforcement, or solid hardwood) must have at least three full screw threads to be considered reinforced.
3. Most problems with dogging occur on vertical rod devices. When the dogging function is hard to engage or will not work at all, the rods may be incorrectly adjusted allowing the mechanism to bottom out. Readjust rods per the device instructions or as outlined on the previous pages.



DIFFERENCE IN ACTIVE HEADS

The warranty on Corbin Russwin products becomes void if the product is modified in any way, regardless of whether the modifications causes or contributes to any alleged defect. If a Corbin Russwin product is modified it may no longer meet industry certification and quality control standards applicable to the original product and is no longer a genuine Corbin Russwin product.

Copyright © 2000-2025, ASSA ABLOY Access and Egress Hardware Group, Inc. All rights reserved. Reproduction in whole or in part without the express written permission of ASSA ABLOY Access and Egress Hardware Group, Inc. is prohibited. Patent pending and/or patent www.assaabloydss.com/patents.

The ASSA ABLOY Group is the global leader in access solutions. Every day, we help billions of people experience a more open world.

ASSA ABLOY Opening Solutions leads the development within door openings and products for access solutions in homes, businesses and institutions. Our offering includes doors, frames, door and window hardware, mechanical and smart locks, access control and service.



For additional information, contact your
ASSA ABLOY Door Security Solutions
sales consultant or visit www.corbinruswin.com.

In U.S.

Corbin Russwin
Architectural Hardware
225 Episcopal Road
Berlin, CT 06037
Phone: 800-543-3658
Fax: 800-447-6714
www.corbinruswin.com

In Canada

ASSA ABLOY Door
Security Solutions Canada
160 Four Valley Drive
Vaughan, Ontario
Canada L4K 4T9
Phone: 800-461-3007
Fax: 800-461-8989
www.assaabloydss.ca



ASSA ABLOY Group companies offer MicroShield®, an antimicrobial coating for door hardware. MicroShield uses proven silver ion-based technology from Agion®, a leading provider of antimicrobial solutions, to stem the spread of bacteria and other microbes.

MicroShield® is a trademark of ASSA ABLOY Access and Egress Hardware Group, Inc.



The Agion antimicrobial is not intended as a substitute for good hygiene. Coated products must still be cleaned to ensure the surfaces will be free of destructive microbes. ASSA ABLOY makes no representations or warranties, express or implied, as to the efficacy of the Agion antimicrobial. A copy of the Agion warranty is available upon request. Agion is a registered trademark of Agion Technologies, Inc., Wakefield, MA, USA.