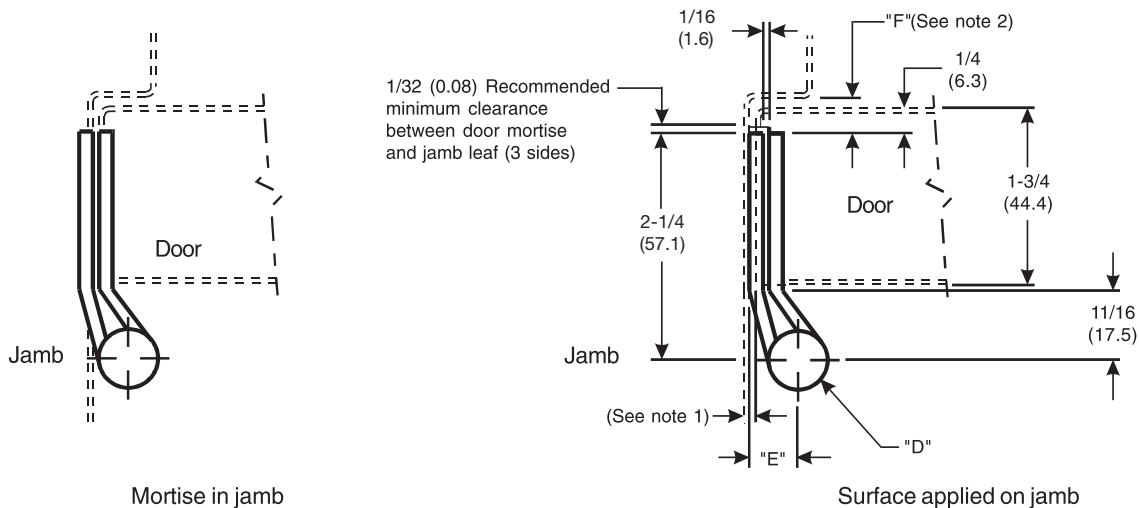


Architectural Door Accessories

McKinney 5 x 4¹/₂ Raised Barrel Template Hinges For Square Edge Doors

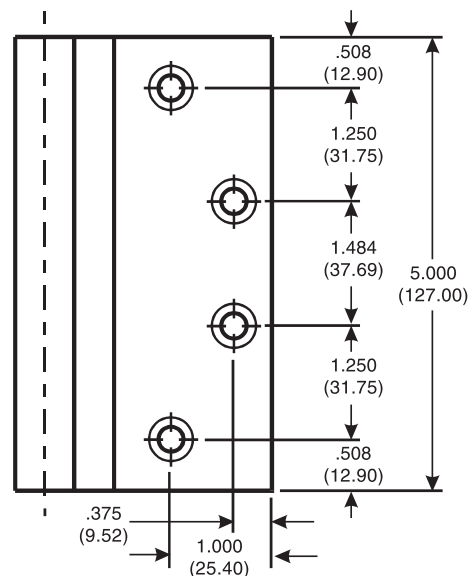
The global leader in
door opening solutions

DO NOT SCALE
DIMENSIONS: INCHES (MM)



Notes:

1. Clearance between door & jamb determined by depth of mortise. 1/16 Min. (1.6)
2. Recommended for approx. 1/16 (1.6) clearance between door & stop.
3. For raised barrel template hinges for bevel edge doors see template 076.



CATALOG NUMBER	GAUGE OF METAL	"D" OUTSIDE DIAMETER	"E" BARREL C/L TO BACK OF JAMB LEAF	"F" (SEE NOTE 2)
RB T4A/T4B 3786	.190 (4.83)	.752 (19.10)	5/8 (15.9)	3/8 (9.5)

Template 071-15

Effective date:
September 1, 2015

Supersedes: All Previous

McKINNEY Template Raised Barrel Hinges are made in size, gauge and with screw holes located to conform to this drawing.

Machine Screw Size:
1/2 x 12-24 F.H.

Wood Screw Size:
1 1/4 x 12 F.H.