

DOUBLE SWING HINGE WITH EMERGENCY RELEASE STOP

Designed for safety and reliability in healthcare environments

The Pemko Double Swing Hinge and Emergency Release Stop are innovative healthcare solutions that are designed to improve safety and open doors in seconds during an emergency. These products can be combined for the ultimate solution, and are designed to mitigate risk in medical, behavioral health, and assisted living environments.

Pemko offers two varieties of each of these products: DSHP01C, DSH1000, ERSBH, and ERSMP. The Double Swing Hinges (DSH) have a unique 100° swing that allows the door to swing in either direction. They are offered in both pin and barrel and geared style hinges.

The Emergency Release Stops (ERS) provide the functionality to release the stop in an emergency, allowing the door to be opened in the opposite direction. The stops are applied to the strike edge of the door and come standard with a hospital tip. The ERSBH features a special flush bolt while the ERSMP is offered with a multi-point latch.

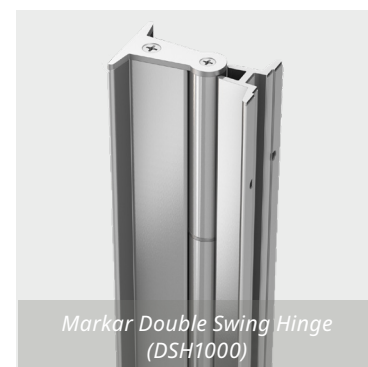
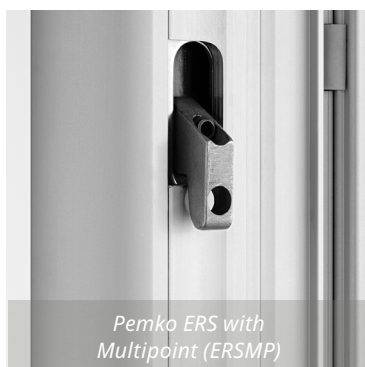
Both the Double Swing Hinge and Emergency Release Stop are designed for use in behavioral health environments. Please refer to the New York State Office of Mental Health (OMH) Patient Safety Standards for current product compliance.

Applications

- Healthcare Facilities
- Behavioral Health*
- Assisted Living
- Hospitals

**Only applicable for the DSH1000 and ERSBH.*

FEATURES	BENEFITS
Double-swing design opens 100°	Opens wide in either direction
Continuous hinge	Proper alignment and weight distribution extend the life of the door
Emergency release	Provides a safer environment for hospitals and healthcare facilities
Hospital tip	Eliminates ligature point at the top of hinge
Sliding lock with key (ERSBH)	Allows unlocking barricaded doors within 2 seconds for access during emergency



The ASSA ABLOY Group is the global leader in access solutions. Every day we help people feel safe, secure and experience a more open world.



Healthcare Solutions

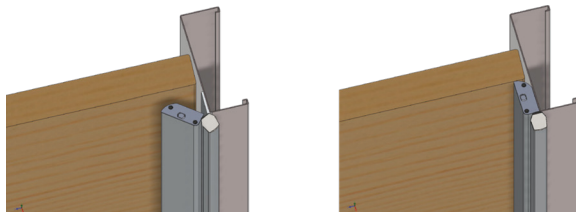
Pemko designs and manufactures products to improve safety and mitigate risk in behavioral healthcare and assisted living environments. Applications include patient rooms, patient bathrooms and cross corridor bathrooms.

Combine complementary products from ASSA ABLOY Group brands to form an optimal healthcare door opening solution.



Double Swing Hinge: DSH SERIES

HINGE SIZE	OPENING HEIGHT	GEAR HINGE CLEAR ANODIZED	PIN & BARREL HINGE CLEAR ANODIZED
84"	7' 0"	DSHP01C-84	DSH1000-84C
96"	8' 0"	DSHP01C-96	DSH1000-96C
120"	10' 0"	DSHP01C-120	DSH1000-120C



Emergency Release Stop: ERS SERIES

HINGE SIZE	OPENING HEIGHT	FLUSH BOLT CLEAR ANODIZED LEFT HAND	FLUSH BOLT CLEAR ANODIZED RIGHT HAND	MULTIPOINT LATCH CLEAR ANODIZED LEFT HAND	MULTIPOINT LATCH CLEAR ANODIZED RIGHT HAND
84"	7' 0"	ERSBH84CxHT-LH	ERSBH84CxHT-RH	ERSMP84C-LH	ERSMP84C-RH
96"	8' 0"	ERSBH96CxHT-LH	ERSBH96CxHT-RH	ERSMP96C-LH	ERSMP96C-RH
120"	10' 0"	ERSBH120CxHT-LH	ERSBH120CxHT-RH	ERSMP120C-LH	ERSMP120C-RH

Notes: Minimum 2-3/4" backset for hardware trim. If ERS is installed on a cased open jamb, an extended lip strike is needed. To avoid using the extended lip strike, use a single rabbet jamb on strike side of frame.

Pemko 5535 Distribution Dr. Memphis, TN 38141 www.pemko.com orders.pemko@assaabloy.com	Memphis, TN USA P: 800 824 3018 F: 800 243 3656	Ventura, CA USA P: 800 283 9988 F: 800 283 4050	Vaughan, ON CA P: 800 461 3007 F: 800 461 8989
----------------------------------------------------------------------------------------------------	-------------------------------------------------------	-------------------------------------------------------	------------------------------------------------------

Technical Specifications:

Hinge Material:
6063-T6 Aluminum Alloy

Finishes:
Clear Anodized Aluminum

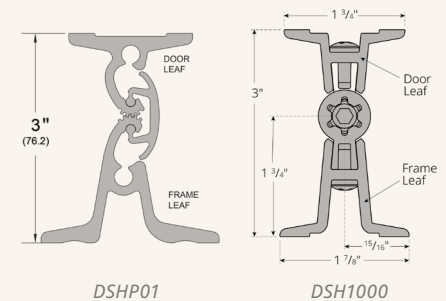
Fasteners:
Security Torx Machine Screws

BHMA:
DSH1000 ANSI/BHMA A156-26
Grade 1-300

ADA Compliance:
DSH meets the barrier free requirements of ICC/ANSI A117.1-2009 and ADAAG-2010

Note: Although these products are better designed for behavioral health applications than traditional door hinges, they do not eliminate the risk that an object can be affixed to, or around them.

Double Swing Hinge: DSH Series



Emergency Release Stop: ERS Series (ERSBH & ERSMP)

