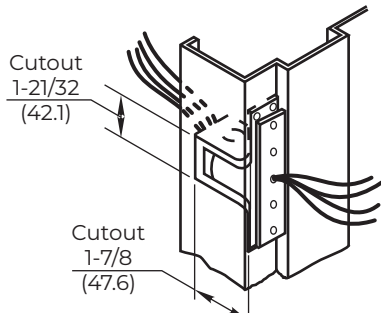
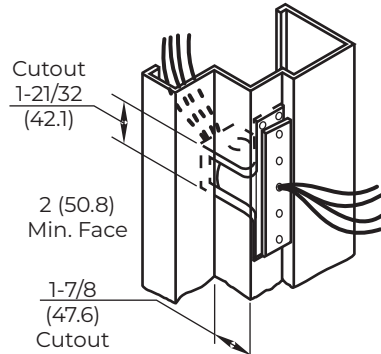


- A. Open Pivot 90° to expose screw holes and attach door leaves of all pivots required to door using appropriate fasteners.
- B. Install door and pivot assembly to jamb by supporting door at the proper height and sliding toward jamb so that pivots enter the jamb pockets and mortises.

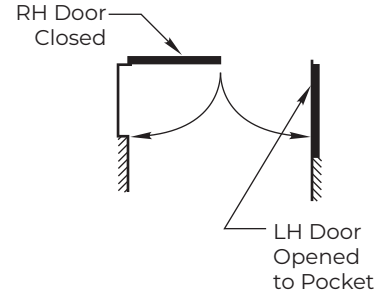
- C. With door properly supported and opened approximately 60° or more to expose screw holes. Attach pivot jamb leaf to jamb using appropriate fasteners.



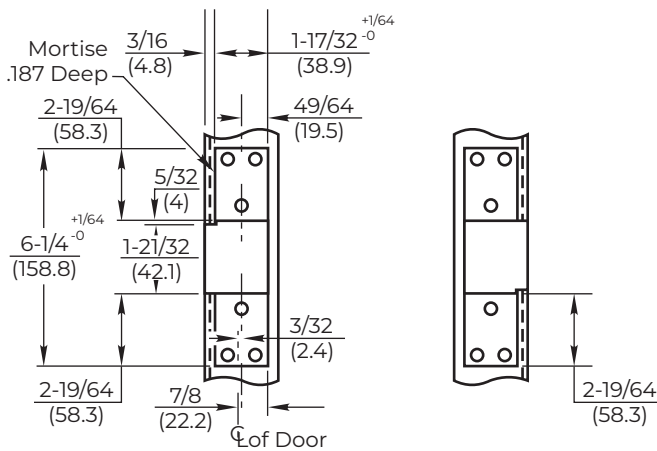
Right Hand Frame (Jamb Style 1)



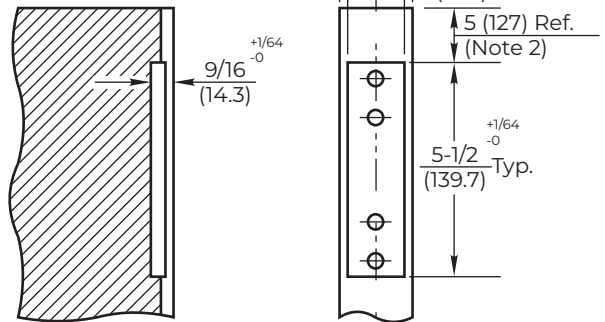
Right Hand Frame (Jamb Style 2)



Key Plan Pair of Doors



Mortise Detail, Steel Frame

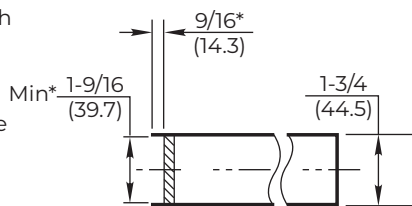


Wood Application Shown
Dimensions Same for Steel Door

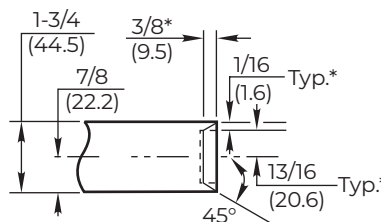
Door Mortise Detail

NOTES:

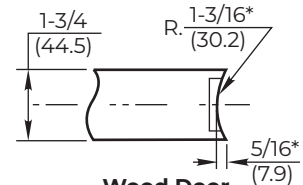
- 1. * Prepare full length of door to these dims.
- 2. Use standard spacing to suit size of door.
- 3. Use 1 pivot for every 30" (762) of door height.
- 4. Use 1 pivot for every 90 lbs. of door weight.



Steel Door



Wood Door (Style 1)



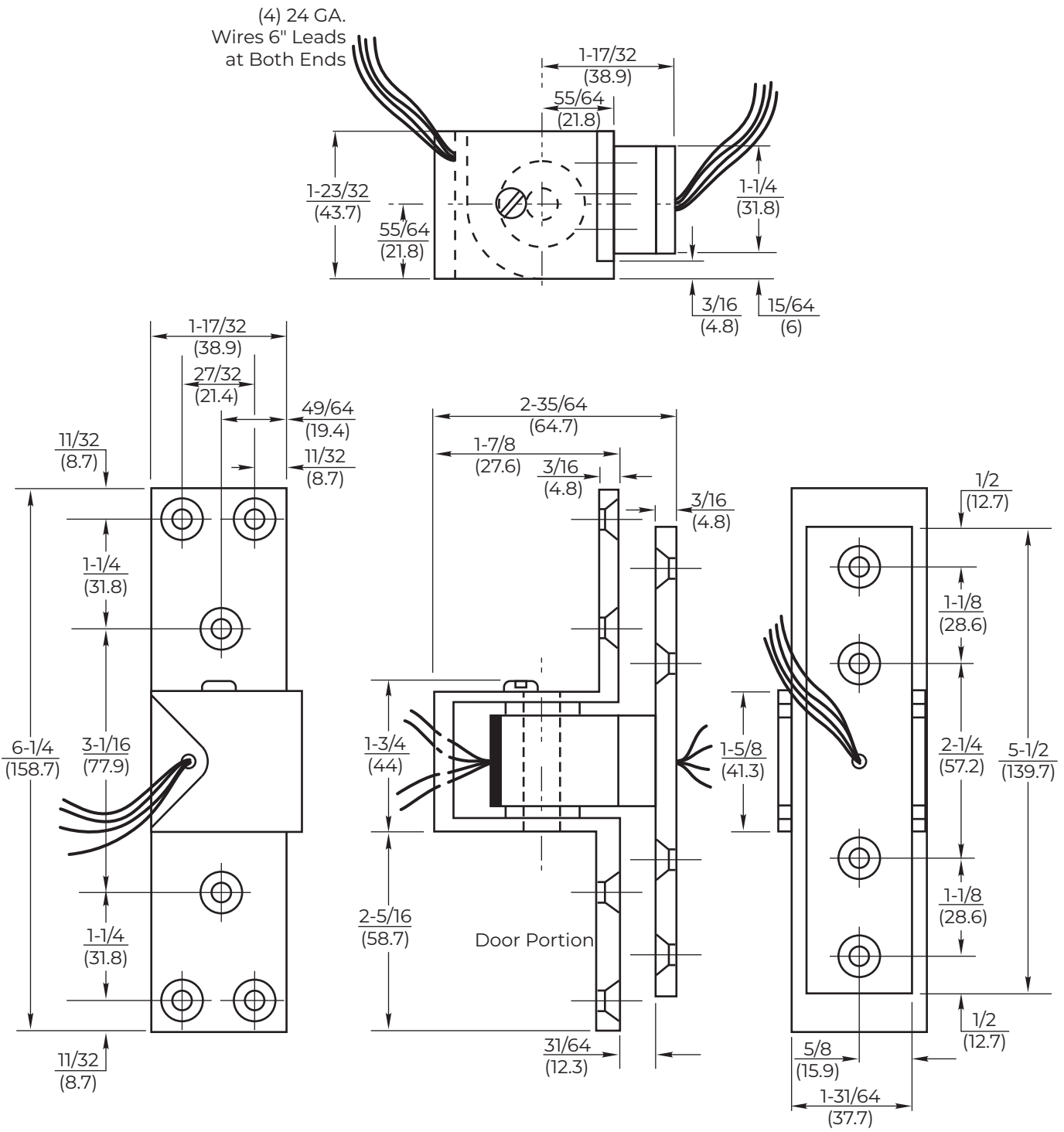
Wood Door (Style 2)

Door Jamb Clearance 7/64 (2.8) - Hinge Side

EF519 Pocket Pivot



TEMPLATE NUMBER	REV	DATE
IS-EF519	4	12/25



NOTES:

1. Do not scale drawing.
2. Dimensions are given in inches (mm).
3. Right hand shown.
4. Machine Screw Size #12-24 x 3/4 FHMS Wood Screw Size #12 x 1-1/2 FHWS.

EF519 Pocket Pivot



TEMPLATE NUMBER	REV	DATE
IS-EF519	4	12/25