

FE6600 Series Multi-Point Locks

PRODUCT CATALOG



Experience a safer
and more open world

Table of Contents


Certifications	3
Introduction & Features.....	4
Specifications.....	5
Functions & Descriptions.....	6-7
Electrical Functions & Monitoring Options.....	8
Muséo Levers.....	9-10
Muséo Trim.....	11
Standard Levers	12
Standard Trim, Escutcheon Designs	13
Thumbturn Designs	14
Emergency Releases & Indicators.....	15
Freewheeling (VR) Trim Design	16
Access Control Platforms	17
Finishes.....	18
Strikes, Fronts and Collars.....	19
Quick Codes	20-21
How To Order.....	22
Architectural Specifications	23

 **WARNING**

This product can expose you to lead which is known to the state of California to cause cancer and birth defects or other reproductive harm. For more information go to www.P65warnings.ca.gov.

Certifications

CERTIFICATION COMPLIANCE

ANSI/BHMA	Certified to ANSI/BHMA A156.37 Series 1000 Operational Grade 1 and Security Grade 1 with all standard trims. Note: LFIC (Removable) Cylinders and SFIC Cylinders do not meet Security Grade 1 requirements.
ADA 	Meets A117.1 Accessibility Code. Meets BOMA International 4.13.8 Complies with American Disability Act; Consult local authorities
UL-cUL	UL and cUL Listed to US and Canadian safety standards for A label 4 x 8 single and 8 x 8 double (3-hour fire door) and lesser class doors, stamped letter F and UL symbol on armored front indicate listing
Positive Pressure	Meets ANSI/UL 10C, Positive Pressure Fire Test of Door Assemblies
California	California State Reference Code (Formerly Title 19, California State Fire Marshal Standard) All levers with returns comply; levers return to within 1/2" (13 mm) of door face
Tornado Codes	See "Windstorm Certifications: UL Listings"

WINDSTORM CERTIFICATIONS: UL LISTINGS

Listed below are certifications and standards met by the FE6600 Series lock.

Certifications to meet assembly requirements are done in conjunction with doors from ASSA ABLOY Group companies Ceco and Curries doors and frames.

FEMA Publication 361 (2021)	"Safe Rooms for Tornadoes and Hurricanes: Guidance for Community and Residential Safe Rooms" investigated with respect to impact and pressure requirements only.
ICC 500 (2020)	"ICC/NSSA Standard for the Design and Construction of Storm Shelters," investigated with respect to impact and pressure testing. Minimum missile impact speeds vary with the design wind speed desired for a particular product. Table 305.1.1 of ICC 500 correlates design wind speed to the minimum missile speeds.
NFPA 80	"Standard for Fire Doors and Other Opening Protectives"
ASTM E300 (2002)	Standard Test Method for Structural Performance of Exterior Windows, Doors, Skylights and Curtain Walls by Uniform Static Air Pressure Difference
ASTM E1886 (2005)	Standard Test Method for Performance of Exterior Windows, Curtain Walls, Doors, and Impact Protective Systems Impacted by Missile(s) and Exposed to Cyclic Pressure Differentials
ASTM E1996 (2019)	Standard Specification for Performance of Exterior Windows, Curtain Walls, Doors, and Impact Protective Systems Impacted by Windborne Debris in Hurricanes

FLORIDA BUILDING CODE: FL3067

UL CERTIFICATION DIRECTORY: ZHEM.R21836 – LATCHING HARDWARE

ANSI/SDI A250.13 (2014)	"Testing and Rating of Severe Windstorm Resistant Components for Swinging Door Assemblies"
ASTM E330 (2002)	"Standard Test Method for Structural Performance of Exterior Windows, Doors, Skylights and Curtain Walls by Uniform Static Air Pressure Difference" *
ASTM E1886 (2005)	"Standard Test Method for Performance of Exterior Windows, Curtain Walls, Doors, and Impact Protective Systems Impacted by Missile(s) and Exposed to Cyclic Pressure Differentials" *
ASTM E1996 (2009)	"Standard Specification for Performance of Exterior Windows, Curtain Walls, Doors and Impact Protective Systems Impacted by Windborne Debris in Hurricanes" *
(TAS) 201 (1994)	"Impact Test Procedures" *
(TAS) 202 (1994)	"Criteria for Testing Impact and Non-Impact Resistant Building Envelope Components Using Uniform Static Air Pressure" *
(TAS) 203 (1994)	"Criteria for Testing Products Subject to Cyclic Wind Pressure Loading" *

* Published in the 7th Edition (2020) "Florida Building Code" (FBC), State Product Approval Number FL3067

Any retrofit or other field modification to a fire and/or windstorm rated opening can potentially impact the fire rating of the opening, and Corbin Russwin makes no representations or warranties concerning what such impact may be in any specific situation. When retrofitting any portion of an existing fire and/or windstorm rated opening, or specifying and installing a new fire and/or windstorm rated opening, please consult with a code specialist or local code official (Authority Having Jurisdiction) to ensure compliance with all applicable codes and ratings.

Introduction & Features

The Corbin Russwin FE6600 Series lock is a multi-point, deadlocking system developed to help protect lives while securing a community shelter and/or safe room entry. Sturdy heavy-duty steel components firmly secure the door within the frame – at top, bottom, and center latch points – fortifying the opening during a windstorm event. The FE6600 Series is UL Classified for FEMA P-361 (2021), ICC 500 (2020) and Florida Building Code (FBC) capable of withstanding severe wind speeds and flying debris. This device consists of concealed vertical rods with top and bottom latching complemented by a mortise lock with a latchbolt and deadbolt at the center of the door and an optional indicator to show the status of the top and bottom latches.

Lever rotation retracts the top bolt, the bottom bolt, and center bolts simultaneously. When retracted, the bolts are held in position as the door swings. As the door closes, the hold-back feature engages the frame and the top, center, and bottom bolts project simultaneously. With the deadbolt thrown, this system protects room occupants from threatening conditions. The FE6600 Series device can also be used on fire-rated doors.

INNOVATION

- Unique and robust multi-point, deadlocking system engineered to help save lives
- Integrated with the Ceco Door StormPro® 361 and Curries StormPro® 361 doors and frames and McKINNEY StormPro® hinges to provide an opening that meets tornado and hurricane shelter guidelines.
 - For Windstorm Certifications, see page 3

APPLICATIONS

- Perfect for community refuge areas where people seek protection from strong wind events
- Community shelters and safe rooms, corporate campuses, schools, healthcare facilities, and government facilities
- Hardware must be installed by a factory trained installer

STRENGTH & DURABILITY

- UL 3-hour fire rating
- Extra heavy-duty steel components secure the door to the frame
 - Multiple locations: top, bottom, and center latch points
 - Fortifies opening to withstand extreme wind speeds and flying debris
- Heavy-duty sectional trim standard
- Fortified with high-tensile alloy fasteners
- Thru-bolted to door for solid attachment

FEATURES

- Utilizes unique mortise lockbody assembly specifically for tornado shelter applications:
 - Three latch points project automatically; fourth latch point with a single motion
 - Dogging option allows device to operate as standard mortise lock with a single latch point
 - Concealed vertical rods for additional security
 - Available with access control options
 - Inswing and outswing applications
 - Concealed vertical assembly (rods, latches and cassette) will be pre-installed in the Ceco Door StormPro® 361 and Curries StormPro® 361 door.
 - ICC 500 (2020) certification
 - ANSI/BHMA A156.37 Grade 1 certified
 - Seven-year warranty

Specifications



SPECIFICATIONS

Door	1-3/4" thick door only – FE6600 Series requires utilizing Ceco Door StormPro® 361 and Curries StormPro® 361 doors and frames. McKINNEY® StormPro® hinges are required when used as a certified tornado solution
Mounting	Supplied fasteners are for metal doors with thru-bolts for trim
Hand	Handed; specify RHR, LHR, RH or LH
Lockbody	Unique mortise lockbody assembly used specifically for tornado shelter applications
Top Bolt	Adjustable stainless steel 3/4" square bolt with 11/16" engagement; 5/16" steel reinforcement plate
Bottom Bolt	Adjustable stainless steel 3/4" square bolt with 5/8" engagement; 1/4" steel reinforcement plate
Center Bolts	Latchbolt is stainless steel with 3/4" projection. One piece, anti-friction reversible catch. Deadbolt is one piece hardened stainless steel with 1" projection
Lock Front	1/8" steel mortise front reinforced with 13/64" thick lock edge stiffener
Center Bolt Strike	1/4" thick stainless steel
Backset	Lever: 2-3/4" standard; Rods: 5-1/4"
Door Thickness	1-3/4" standard
Maximum Opening	Single door 2'8" x 6'8" up to 4'0" x 8'0" and double doors 6'0" x 6'8" up to 8'0" x 8'0" (Double doors require 2-988CR surface bolts)
UL Fire Listed	UL 3-hour fire rating
Trim	Multiple sectional and escutcheon mortise trim with Standard or Muséo levers
Cylinder	Multiple mortise cylinders

Note: For UL & Windstorm Certifications, see page 3

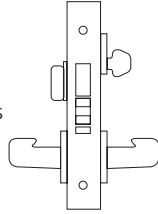
Attention: Doors and frames must be ordered through Ceco and Curries in order for certifications to be met. See Door Specifications above for specific product offerings needed to meet assembly requirements.

Functions & Descriptions

SINGLE CYLINDER WITH DEADBOLT

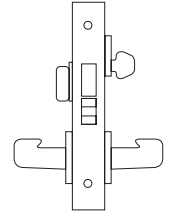
FE6618 Classroom

- Inside trim is always unlocked
- Inside thumbturn only retracts and projects deadbolt
- When deadbolt is projected, inside trim retracts latchbolt and deadbolt simultaneously
- Key outside locks and unlocks outside trim
- When outside trim is unlocked, outside trim retracts latchbolt and deadbolt simultaneously



FE6665 Exit/Dormitory

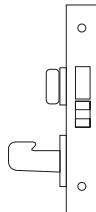
- Key outside or thumbturn inside retracts and projects deadbolt
- Trim from either side retracts latchbolt, when the deadbolt is in the retracted position
- Trim outside is locked, when the deadbolt is projected
- When deadbolt is projected, trim inside retracts latchbolt and deadbolt simultaneously, unlocking outside trim
- **ANSI F13**



NON-KEYED

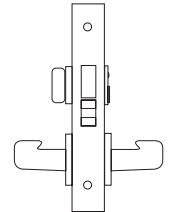
FE6680 Inside Passage

- Thumbturn retracts & projects deadbolt
- Trim inside retracts latchbolt & deadbolt simultaneously
- Blank outside escutcheon



FE6630 Privacy Bath

- Trim outside retracts latchbolt except when deadbolt is projected
- Trim inside retracts both latchbolt and deadbolt simultaneously, unlocking the outside trim
- Emergency release retracts and projects deadbolt - by coin, screwdriver, or emergency key (726F81) ordered separately
- Thumbturn retracts and projects deadbolt
- **ANSI F19**



Note: This function allows free entry at all times, even when deadbolt is projected during possible severe weather conditions.

Items of Note:

- All function descriptions are specific to latchbolt and deadbolt operation only.
- The lock must have a deadbolt for a tornado rating.
- Top and bottom rods automatically project when the door is closed and retract when inside or outside lever is turned.
- A dogging indicator can be ordered separately under code AUX188 . A dogging indicator dogs the top/bottom latches so the lock can function as a normal mortise lock. In an emergency, un-dog the rods and the top/bottom latches will engage.

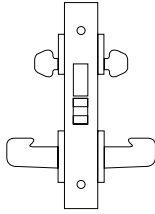
✦ **CAUTION: These functions require two separate motions for egress. Not recommended for use on any door used for Life Safety egress.**

Electrical Functions & Monitoring Options

DOUBLE CYLINDER WITH DEADBOLT

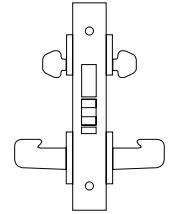
FE6662 Classroom Security Intruder Deadbolt

- Key from either side retracts or projects deadbolt which also unlocks or locks outside trim
- Trim outside retracts latchbolt, except when locked
- Trim outside is only locked by projecting the deadbolt
- Trim inside retracts both latchbolt and deadbolt simultaneously, and unlocks outside trim
- **ANSI F33**



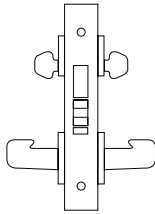
FE6673 Classroom Security Intruder Deadlatch

- Key from either side retracts and projects deadbolt
- When deadbolt is projected, 1st key rotation retracts deadbolt, 2nd key rotation unlocks trim outside
- Key retraction of latchbolt from either side unlocks trim outside
- Trim outside retracts latchbolt, except when locked
- Trim inside (when deadbolt is projected) retracts both latchbolt and deadbolt simultaneously and the outside trim remains locked
- Auxiliary deadlatch



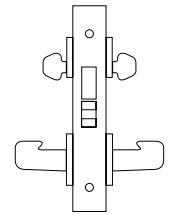
FE6672 Classroom Security Intruder Auxiliary Deadbolt

- Key from either side retracts or projects deadbolt which also unlocks or locks outside trim
- Trim outside retracts latchbolt, except when locked
- Trim outside is only locked by projecting the deadbolt
- Trim inside retracts both latchbolt and deadbolt simultaneously, and unlocks outside trim
- Auxiliary deadlatch
- **ANSI F34**



◆FE6675 Security Deadbolt

- Key from either side retracts and projects deadbolt
- Key from either side retracts latchbolt
- Trim inside & outside are locked only when deadbolt is projected



Items of Note:

- All function descriptions are specific to latchbolt and deadbolt operation only.
- Double cylinder functions require a key to activate deadbolt
- The lock must have a deadbolt for a tornado shelter rating.
- Top and bottom rods automatically project when the door is closed and retract when inside or outside lever is turned.
- A dogging indicator can be ordered separately under code AUX188. A dogging indicator dogs the top/bottom latches so the lock can function as a normal mortise lock. In an emergency, un-dog the rods and the top/bottom latches will engage.
- If a double cylinder function is used for a shelter door, the emergency plan must ensure the double cylinders are latched in a timely manner.

◆ **CAUTION: These functions require two separate motions for egress. Not recommended for use on any door used for Life Safety egress.**

Electrical Functions & Monitoring Options

ELECTRIFIED MORTISE LOCKS WITH STANDARD MONITORING OPTIONS

Corbin Russwin FE6600 Series electromechanical mortise locks are designed to handle single opening, stand alone applications, or can be readily integrated into sophisticated access control systems. They meet ANSI/BHMA A156.37 Grade 1 requirements, are UL listed on fire doors, and satisfy industry standards for operating temperature, shock and fire hazard.

FEATURING ECOFLEX®*



- **Reduces energy consumption up to 96%, as certified by GreenCircle**
 - Lower operating costs
 - Assists with load reduction in optimizing energy performance credit in LEED
 - Reduces number of power supplies required
 - **Operates from 12-24VDC, offering greater flexibility in system design**
 - **Innovative actuator design provides superior reliability**
 - Higher performance and reduced maintenance
 - Ability to have longer cable runs without negatively impacting lock function
 - Reduces risk of voltage drops and eliminates inductive kickback
 - Lower total cost of ownership
- *Patent pending*

Electrical Requirements for electromechanical functions:

Voltage: Operates from 12-24VDC Regulated. Full wave rectification installed inside the lockbody.

Current:

- Actuator draw = .015 Amp continuous
 - Maximum (2) locks per 1 Amp power supply (1/2 Amp peak current draw)
 - Operating Temp.: Max. 151°F (66°C), Min -31°F (-35°C)
- UL and CUL listed for use on Fire Doors

Note: Repeated operation at voltage exceeding +/- 10% is not recommended

M91 OPTION - LATCHBOLT MONITOR

- Please consult factory

M113 OPTION - DEADBOLT MONITOR

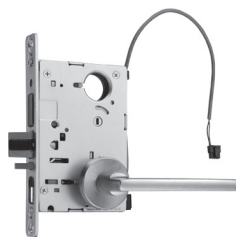
- Switch mounted internally in lockbody that indicates deadbolt position
- Available in all deadbolt functions

No key override with deadbolt

Fail Secure	FE66609 NAC SEC
-------------	-----------------

Key override with deadbolt

Fail Secure	FE66608 NAC SEC
-------------	-----------------



Warning:

- **Do not** connect locks to a circuit sharing an additional electromagnetic device as the lock may be damaged
 - Transient voltage must be suppressed at the source or before connecting with the lock
 - Varistor rated at 35 volts (peak) may be used for transient voltage protection
- Note:** Opening the lockbody or the actuator replacement in the field by non-authorized personnel voids UL label and lock warranty

Description of Functions:

- Fail Secure: Power off, lock outside trim
- Deadbolt projected and retracted by thumbturn only (for non-key override)
- Two switches mounted internally, within lockbody, to monitor lever rotation

HIGH SECURITY MONITORING OPTIONS

Internal End-of-Line Monitoring

Integrated directly into the mortise lock, internal end-of-line resistors monitor the line from the access control panel to the lock. Typically, resistors are installed at the panel or above the door, creating vulnerability between the resistors and the locks. Incorporating resistors within the lock eliminates any risk of undetected tampering or damage, while also reducing installation costs, simplifying specifications, and offering the assurance of a factory installed and tested product.

Select a compatible resistor configuration and add the appropriate prefix to your order string:

- R01 - EOL Mercury and Lenel compatible 1KΩ/2KΩ resistance supervision
- R03 - EOL Software House compatible 1KΩ/2KΩ resistance supervision
- R04 - EOL AMAG compatible 4-state supervision

Items of Note:

- All function descriptions are specific to latchbolt and deadbolt operation only.
- The lock must have a deadbolt for a tornado rating.
- Top and bottom rods automatically project when the door is closed and retract when inside or outside lever is turned.
- A dogging indicator can be ordered separately under code AUX188. A dogging indicator dogs the top/bottom latches so the lock can function as a normal mortise lock. In an emergency, un-dog the rods and the top/bottom latches will engage.

⚡ **CAUTION: These functions require two separate motions for egress. Not recommended for use on any door used for Life Safety egress.**

Muséo Levers

Muséo levers are available in a broad array of designs and finishes allowing for uniformity throughout a facility when using the FE6600 Series locks. All levers meet ADA compliance for national codes. Visit the online Decorative Hardware Selector at selector.corbinrusswin.com.





GEORGES SERIES

	139
	140 Handed
	143 Handed





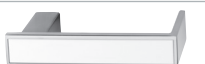

GEORGIA SERIES

	102
	103
	104 ³
	124 ¹
	125 ¹




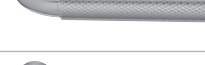
JACKSON SERIES

	105 ³
	117 ³
	119 ³ Handed
	126 ^{1,3} Handed

JOSEF SERIES²

	133
	134 ¹
	135
	136
	137 ¹
	138 ¹

LASZLO SERIES

	147
	148 Handed
	149
	150

¹ Lever returns within 1/2" (13 mm) of door face.

² 135-138 - Contain white or black polycarbonate inserts. Not available with MicroShield® antimicrobial coating.








³ Not available in 32D or 32 finish

Muséo Levers (continued)







MARC SERIES (Handed Levers)

	111 ³
	112 ³
	114 ³
	115 ³
	116 ³
	131 ^{1,3}
	132 ^{1,3}

PIET SERIES²

	21L
	21M
	21S
	21G
	23G
	25M
	27M

SALVADOR SERIES

	106
	107
	108
	109
	110
	123 ¹
	128 ¹

1 Lever returns within 1/2" (13 mm) of door face.

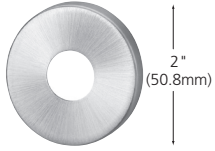
2 Piet levers are customized. See "How To Order" on page 18 for ordering information.

3 Not available in 32D or 32 finish

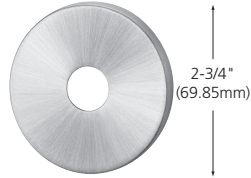
Muséo Trim

ROSES

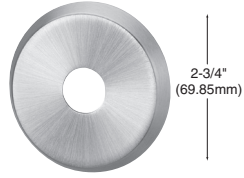
A Rose



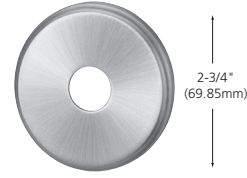
T Rose



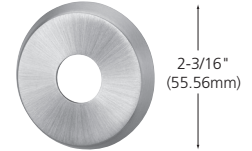
U Rose



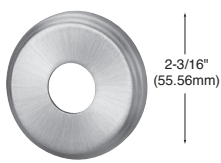
V Rose



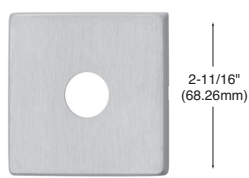
W Rose



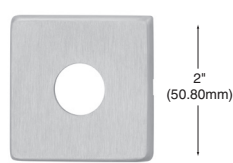
Y Rose



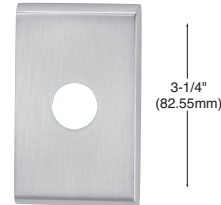
E2 Rose¹



E3 Rose¹



E4 Rose¹



THUMBTURNS

Thumbturn backplate will match rose design chosen. See "Thumbturn Designs" on page 16 for more information.

MT1 Turn



MT2 Turn



MT3 Turn



ESCUTCHEONS

CE Escutcheon



L Escutcheon



RE1 Escutcheon



Note: These roses and escutcheons are unique to this product only. Refer to FE6600 Series Parts Manual for replacement parts and consult with factory to order.

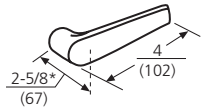
Standard Levers

STANDARD LEVERS

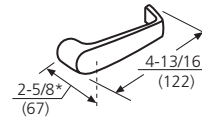
Features

- All levers meet ADA compliance for national codes
- Solid forged or cast
- All lever height (+/- 1/16") measurements represent total distance from door face

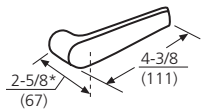
Armstrong AS — Cast



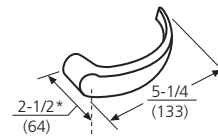
Newport NS — Cast



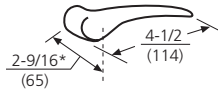
Citation CS — Cast



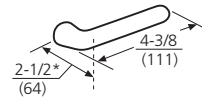
Princeton PS — Cast



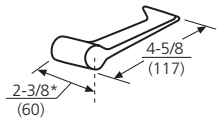
Dirke DS — Cast



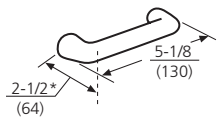
Regis RS — Cast



Essex ES — Cast



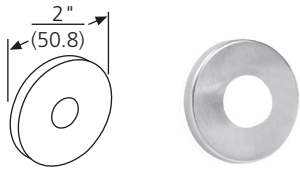
Lustra LS — Cast



Standard Trim

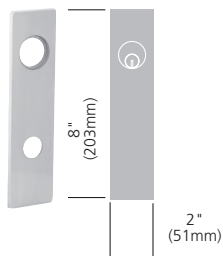
STANDARD ROSES

A — Wrought

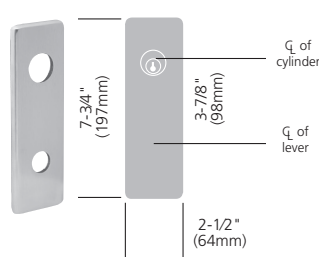


ESCUTCHEON DESIGNS

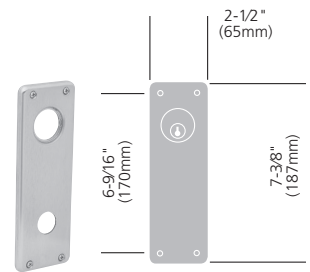
LW1 Escutcheon



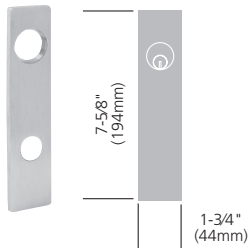
M Escutcheon



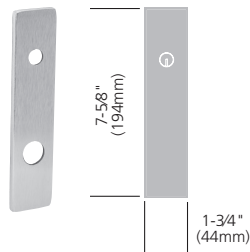
N Escutcheon



RE1/RE2 Escutcheon



RE3/RE4 Escutcheon



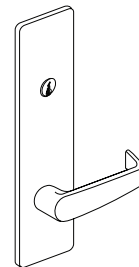
726F82 CAP



- 2" round
- Covers hole for levers and roses

PLUG ONLY TO SHOW (CONCEALED SHELL)

Only the cylinder plug face is visible when lock trim is in place. Available with "M," "R," and "L" escutcheons. See individual trim designs for availability.

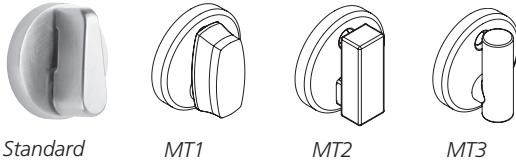


Note: These roses and escutcheons are unique to this product only. Refer to FE6600 Series Parts Manual for replacement parts.

Thumbturn Designs

ROUND BACKPLATE

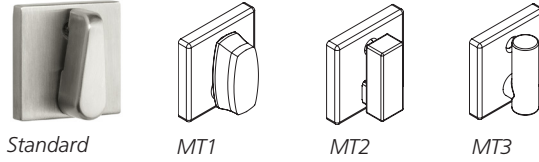
(Shown with Standard Turn)



- Round backplate supplied standard with all round roses
- Standard turn automatically supplied with sectional trim
- Specify MT1, MT2, or MT3 as an option for decorative turns
- 1-1/2" (38 mm) round brass or stainless steel plate

SQUARE BACKPLATE

(Shown with Standard Turn)



- Square backplate supplied standard with E, E2, E3, or E4 roses
- Standard turn automatically supplied with sectional trim
- Specify MT1, MT2, or MT3 as an option for decorative turns
- 1-1/2" (38 mm) brass or stainless steel plate

M34 LARGE ROUND BACKPLATE

(Shown with Large ADA Turn)



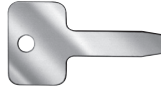
- Available with sectional trim
- 40% larger than standard thumbturn
- 2" (51 mm) round brass, zinc, or stainless steel plate & turn
- Meets ADA Requirements

Emergency Releases & Indicators

EMERGENCY RELEASES

Emergency Key 726F81

- Carbon steel
- For 20 and 30 functions only
- Must be ordered separately



INDICATORS

M19V - Option Occupancy Indicator with Emergency Release

- Ideal for restrooms or conference rooms where easy determination of use needs to be made
- OCC/VAC indicator plate standard, field replaceable, red/white plate included
- Mounts on outside of door
- Not available with escutcheon trim
- Emergency coin operated release standard
- Functions and Roses available:
 - 20, 30 functions with W, E, L, A, T & Y roses
- As retrofit, order 859F53M x finish for vacant/occupied



M19VN - Secured Indicator Rose

- Non-handed with lever and mounting posts field reversible
- VAC/OCC indicator plate standard, field replaceable, red/white plate included
- Mounts on outside of door
- Not available with escutcheon trim
- Available for the following functions:
 - 24, 65 - with rose trim only
- Patent pending design
- As retrofit, order 859F53M x finish (Standard Lever), 859F54M x finish (Museo Lever) for vacant/occupied

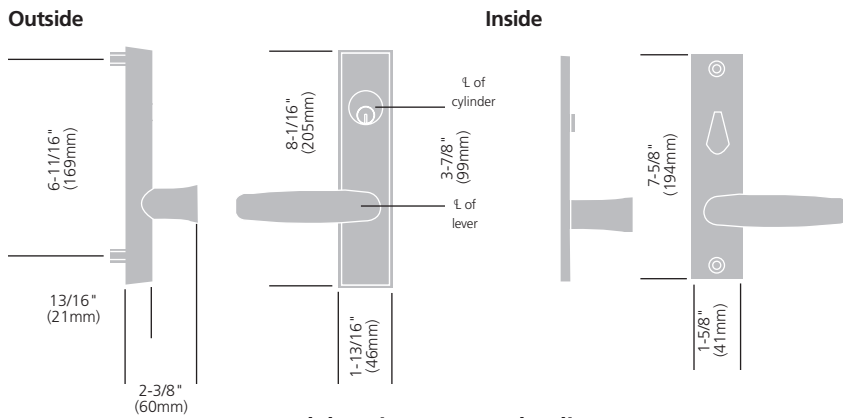


AUX188 - Dogging Indicator

- Dogs the top/bottom latches so the lock can function as a normal mortise lock.
- In an emergency, un-dog the rods and the top/ bottom latches will engage.
- Must be ordered with product, use Quick Code AUX188.



Freewheeling (VR) Trim Design



Vandal Resistant Freewheeling Lever

Maximum projection varies by lever design. Largest projection is 3-9/16" (90 mm)

FEATURES

The freewheeling mortise trim is designed for areas that are susceptible to vandalism including schools, universities, public buildings, back doors of businesses, and any exterior doors where excessive or abusive force might be applied to the lever handle trim.

This design allows the outside lever handle to swing freely, down to 70°, in the "locked" mode. This eliminates resetting the trim after vandalism attempts because the lever automatically returns to its original position.

- Vandal-resistant trim
- Meets or exceeds ANSI/BHMA A156.37 Series 1000 Operational Grade 1 and Security Grade 1. LFIC (Removable). SFIC cylinders do not meet Security Grade 1
- Forged brass outside escutcheon trim provides added protection against vandalism
- Stainless steel lever bushing protects against wear
- Stainless steel lugs and through-bolted trim design for proper alignment and increased security
- Functions available: 22, 24, 30, 62, 65, 72
- Levers AS, CS, DS, ES, LS, NS, PS, and RS available
- Lever designs LS, ES, NS, and PS have lever returns within 1/2" (13 mm)
- Cylinder size: 1-3/4" outside
- Specify hand. Easily field rehanded
- Patent pending and/or patent www.assaabloydss.com/patents

Access Control Platforms

Corbin Russwin FE6600 Series multi-point locks can be readily integrated into sophisticated access control systems. They meet ANSI/BHMA A156.37 Grade 1 requirements, are UL listed on fire doors, and satisfy industry standards for operating temperature, shock, and fire hazard.

Below is a list of compatible platforms:

- IN Series (IN120, IN220)
- SN Series (SN200, SN210)

For complete information regarding the compatibility of the FE6600 Series multi-point locks with electronic access control devices, reference the individual product catalogs, available in the Partner Area on www.intelligentopenings.com.

Finishes

FINISHES

Standard Levers Finish	Description
605	Bright brass, clear coated
606	Satin brass, clear coated
611	Bright bronze, clear coated
612	Satin bronze, clear coated
613	Oxidized bronze, oil rubbed
613E	Dark oxidized satin bronze, equivalent
618	Bright nickel plated
619	Satin nickel, clear coated

Standard Levers Finish	Description
625	Bright chrome
626	Satin chrome
626C	Satin chrome with Microshield
629	Bright stainless steel
630	Satin stainless steel
630C	Satin stainless steel with Microshield
722	Black oxidized bronze, oil-rubbed
BSP	Black Suede Powder Coat

Note: Split Finishes — specify outside finish first, then inside finish example: 626 (outside) / 606 (inside)

LOCK FINISH

Description	Cylinder/Core*
605,606,611,612,613,613E,722	606
618,619,625,626,626C,629,630,630C,722,WSP	626
BSP	BSP

*Finish when cylinder provided with lock

PIET FINISH CODES

BHMA/ASSA ABLOY Finish	Piet Code*	Description
630	30	Satin Stainless Steel
629	29	Bright Stainless Steel
613E	3E	Dark Oxidized Satin Bronze, Equivalent
BSP	BS	Black Suede Powder Coat
WSP	WS	White Suede Powder Coat
N/A	BK	Black (Santoprene™ or leather insert)
N/A	BN	Brown (leather insert)
N/A	00	No Insert

*Code used to specify Piet Collection finishes only. Use available finishes list to specify desired finish when ordering.

PIET LEVER DESCRIPTIONS & AVAILABLE FINISHES

Lever Designation	Lever Description	Available Finishes (as ordered)
21G	Grooved Insert	292929, 303030, 3E003E, BS00BS, WS00WS
21L	Leather Insert	29BK29, 29BN29, 30BK30, 30BN30, 3EBK3E, 3EBN3E, BSBKBS, BSNBBS, WSBKWS, WSNBWS
21M	Metallic Insert	293029** only
21S	Santoprene Insert	29BK29, 30BK30, 3E003E, BS00BS, WS00WS
23M	Raised Band	290029, 300030, 290030**, 3E003E, BS00BS, WS00WS
25M	Plain	290029, 300030, 3E003E, BS00BS, WS00WS
27M	Two Grooves	290029, 300030, 3E003E, BS00BS, WS00WS

**Two-tone finish - grip of lever is 630, balance of lever is 629. Escutcheon finish will be 618.

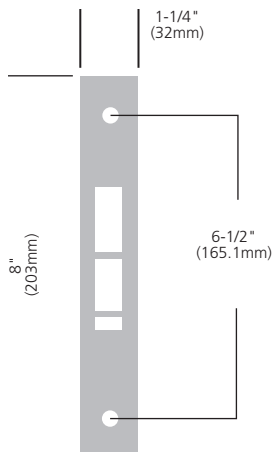
Strike, Front, Collars and Surface Bolts

STRIKE OPTIONS

Part Number	Description
726F577	Top Strike Pack
726F587	Bottom Strike Pack
726F607	Center Strike Pack

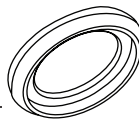
OUTSIDE FRONT PLATE

Part Number	Description	Functions
726F86M	Armored Front	09, 20, 24, 30, 65,
726F87M	Armored Passage Front	80
726F88	Armored Front EAC	135, 609, 735



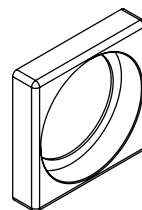
TAPERED CYLINDER COLLAR

- Furnished only for CSV or NSV trims with 1-1/4" cylinders, double cylinder functions or with 1-1/2" cylinders, single cylinder functions.



SQUARE CYLINDER COLLAR

- Included when ordering Muséo® E2, E3 and E4 square/rectangular roses.
- Used on all cylinder functions.
- Size:** 1-5/8" (41 mm) square
- Contact factory to determine correct collar size



FE6600 CYLINDERS

Mortise Cylinder Type	Collar	Cylinder List Number
Access 3® Patented	605F43	CR1500-114-A07
Access 3® Security	605F43	CR1600-114-A07
Access 3® High Security	605F43	CR1700-114-A07
Access 3® Patented IC	605F43	CR1580-114-A07
Access 3® Security IC	605F43	CR1680-114-A07
Access 3® High Security IC	605F43	CR1788-114-A07
Pyramid HS	605F43	CR1020-114-A07
Pyramid HS IC	605F43	CR1030-114-A07
Pyramid Security	605F43	CR1027-114-A07
Pyramid Security IC	605F43	CR1037-114-A07
Conventional 6-pin	256F97	CR1000-118-A07
Conventional 7-pin	605F43	CR1000-114-A07-7
6-pin IC	605F43	CR1080-114-A07
7-pin IC	609F36	CR1080-112-7
Security IC	605F43	CR1090-114-A07
Security	253F97	CR1010-118-A07
6 Pin	253F97	CR1000-118-A07
7 Pin	605F43	CR1000-114-A07-7

988 SURFACE BOLTS

Designed for severe windload (Hurricane Code) environments where surface bolts are required (e.g., on inactive doors)

- Tested to Dade County protocols
- Listed to UL10C for use on fire-rated door assemblies. Refer to codes for locations where surface bolts are allowed on fire doors
- All steel construction for maximum strength and heavy duty use Full 3/4" (19mm) square 12" (305mm), 18" (457mm) or 24" (609mm bolt with 1-1/4" (32mm) throw
- Bright zinc-plated finish
- Jimmy-resistant design locks bolt automatically when thrown; released by pressing knob toward door while retracting
- Bolt can be locked in retracted or thrown position
- Angle (L shaped) and mortise strike with mounting hardware supplied standard
- Only available with MP6600 and FE6600 series.
- Order as: 988 Surface Bolt

Notes:

- Standard size is 12" (305mm) bolt with 1-1/4" (32mm) throw.
- Optional sizes available. Specify 988-1CR (18") or 988-2CR (24") lengths

Surface Bolt	Bolt Length
988CR	12" (standard)
988CR-1	18"
988CR-2	24"

Quick Codes

MISCELLANEOUS OPTIONS

Detailed Description	Quick Code
Spanner head security screw (not available with Studio levers)	M02
6 Lobe head security screws (Torx® type)	M04
Occupancy indicator with emergency release. M19S - Secure/Unsecure ; M19V - Vacant/Occupied. See "indicators" on page 15 for details. Not available with escutcheon trim.	M19S/M19V
Secured indicator rose. M19SN - Secure/Unsecure ; M19VN - Vacant/Occupied. See "indicators" on page 15.	M19SN/M19VN
Tactile Warning — Milled levers or knurled knobs. Inside & outside trim	M20*
Tactile Warning — Milled levers or knurled knobs. Outside trim only	M21*
Tactile Warning — Milled levers or knurled knobs. Inside trim only	M22*
Tactile Warning — Abrasive coating inside & outside trim	M23
Tactile Warning — Abrasive coating inside trim only	M24
Tactile Warning — Abrasive coating outside trim only	M25
Working trim only	M31
Lockbody only	LL
Latchbolt monitoring. (Please consult factory)	M91
Deadbolt monitoring — Monitor deadbolt position	M113
Dogging Indicator	AUX188
Left hand	LH
Right hand	RH
Left hand reverse	LHR
Right hand reverse	RHR

*All levers provided in a powder coat finish will be supplied with an abrasive coating

Quick Codes (continued)

CYLINDER OPTIONS

Description	Specify	Description	Specify
Conventional 6-pin	(standard)	UL Housing	
Conventional 7-pin	7P	LFIC 6-pin Less Core	CL6AH
Less Cylinder(s)	LC	LFIC 6-Pin Disposable Core	CTAHD
LFIC		LFIC 6-pin with Temporary Construction Core (Red/Blue/Green)	CT6AH (R/B/G)
LFIC 6-pin	C6	Other	
LFIC 6-pin Less Core	CL6	Master Ring	MR
LFIC 6-Pin Disposable Core	CT6D	Flex Head Cylinder, 6-pin (sectional trim)	FX6
LFIC 6-pin with Temporary Construction Core (Red)	CT6R	Flex Head Cylinder, 7-pin (sectional trim)	FX7
LFIC 6-pin with Temporary Construction Core (Blue)	CT6B	Flex Head Cylinder, Master Ring (sectional trim)	FXM
LFIC 6-pin with Temporary Construction Core (Green)	CT6G	Plug Only to Show, Less Cylinder	PO-LC
LFIC 7-pin	C7	Plug Only to Show, 6-pin (concealed shell; M and R escutcheons only, single cylinder only)	PO6
LFIC 7-pin Less Core	CL7	Plug Only to Show, 7-pin (concealed shell; M and R escutcheons only, single cylinder only)	PO7
LFIC 7-Pin Disposable Core	CT7D	Keying and Keys	
LFIC 7-pin with Temporary Construction Core (Red)	CT7R	Keyed Random	KR
LFIC 7-pin with Temporary Construction Core (Blue)	CT7B	Construction Master Keyed (not available for Pyramid)	CMK
LFIC 7-pin with Temporary Construction Core (Green)	CT7G	2 keys per lock	(standard)
SFIC		More than 2 keys	KY# (e.g., KY6)
SFIC 6-pin	C6S	Visual key control (VKC)	
SFIC 6-pin Less Core	CLS6	No bitting or keyset stamping on keys or cylinder	VKC0
SFIC 6-Pin Disposable Core	CT6SD	Keys only	VKC1
SFIC 6-pin with Temporary Construction Core (Blue)	CT6SB	Cylinders and keys (not for AS, AHS, ACS, ACHS, HS, CHS, PHS or PCHS)	VKC2
SFIC 7-pin	C7S	Cylinders only (not for AS, AHS, HS, ACS, ACHS, CHS, PHS or PCHS)	VKC3
SFIC 7-pin Less Core	CLS7	Concealed key control (CKC)	
SFIC 7-Pin Disposable Core	CT7SD	CKC cylinders with VKC keys	CKC2
SFIC 7-pin with Temporary Construction Core (Blue)	CT7SB	CKC cylinders only (not for AS, AHS, HS, ACS, ACHS, CHS, PHS or PCHS)	CKC3
Security			
Security	HS		
Security LFIC	CHS		
Access 3*			
Access 3* Patented Fixed Core	AP		
Access 3* Security Fixed Core	AS		
Access 3* High Security Fixed Core	AHS		
Access 3* Patented LFIC	ACP		
Access 3* Security LFIC	ACS		
Access 3* High Security LFIC	ACHS		
Pyramid			
Pyramid Security Fixed Core	PS		
Pyramid High Security Fixed Core	PHS		
Pyramid Security LFIC	PCS		
Pyramid High Security LFIC	PCHS		
Pyramid LFIC Less Core	CLP		
Pyramid with Temporary Construction Core	CTP		
Pyramid Disposable Core	CTPD		

How To Order

ORDERING EXAMPLE

Series/Function	Trim	Finish	Hand	Quick Code*
FE6624	NSA	626	RHR	For all available options see pages 20-21

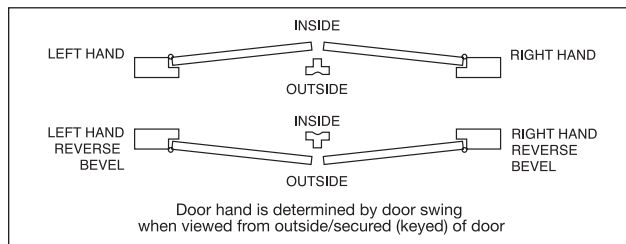
LOCKBODY ONLY EXAMPLE

Series/Function	Trim	Finish	Hand	Quick Code*
FE6624	LL	626	RHR	For all available options see pages 20-21

*Multiple options can be selected.

Note: This product is part of a complete tornado assembly and must be used with a Ceco or Curries StormPro door. Concealed vertical rods, top & bottom latches, and the lockbody cassette will be factory installed. All other hardware components are shipped directly to the customer and must be installed by a factory trained installer.

DOOR HANDING



Architectural Specifications

FE6600 SERIES FORTIFIED MULTI-POINT DEADLOCKING SYSTEM

Three-Point Locking System Devices

Three-Point deadbolt locking devices are engineered for use on inswing and outswing door applications at ICC 500 (2020) and FEMA P-361 (2021) storm shelter and safe room locations. Concealed, fortified steel construction secures the door to the frame at top, bottom, and center latching points. All three latching points shall be activated with one single motion when the device is closed and retracted with one single motion for egress.

1. The FE6600 locking system device is part of an integrated door, frame, and hardware assembly listed to the following standards:
 - a. UL listed to FEMA P-361 (2021) for inswing and outswing pair and single doors
 - b. UL listed to ICC 500 (2020) for tornado shelters for inswing and outswing pair and single doors
 - c. ANSI-BHMA listed to A156.37 Grade 1 for multi-point locks:
 - i. Lever torque to retract all bolts less than 28 in.lb.
 - ii. Cycle tested to 1 million cycles
 - d. NFPA 80 and NFPA 101 life safety requirements
 - e. UL10B or UL10C, 3-hour fire rated openings
2. Latchbolt construction:
 - a. Center Bolt: one piece, 3/4" throw anti-friction stainless steel latch and one piece, 1" throw, hardened stainless steel deadbolt; 2-3/4" backset standard
 - b. Top and Bottom Bolt: 3/4" x 3/4" square stainless steel latchbolt with 3/4" projection
3. Devices must be able to accommodate sectional rose and lever trim to match the design style and architectural finishes as the balance of the lockset and latches specified:
 - a. 21 roses available
 - b. 61 levers available
 - c. 13 finishes available
4. Devices shall come in both mechanical and electro-mechanical functions:
 - a. 12 different functions available
5. Independent top and bottom bolt projection shall be field adjustable :
 - a. From the center mortise pocket
 - b. While the door is hung:
 - i. Does not require taking the door down to adjust
6. Bottom strike shall be offset and reversible to accommodate alignment issues due to rough opening tolerances
7. Must be available with access control options for higher or everyday use and traceability:
 - a. IN series (IN120, 220)
 - b. SN Series (SN200, SN210)
8. Must be available with rod-dogging indicator option:
 - a. Operated by single-point latching for non-emergency or normal use of the space
 - b. Holds rods in retracted state
 - c. Day-to-day operations with mortise lock only
 - d. Indicator to show status

The ASSA ABLOY Group is the global leader in access solutions. Every day, we help billions of people experience a more open world.

ASSA ABLOY Opening Solutions leads the development within door openings and products for access solutions in homes, businesses and institutions. Our offering includes doors, frames, door and window hardware, locks, perimeter fencing, access control and service.



For additional information, contact your
ASSA ABLOY Door Security Solutions
sales consultant or
visit www.corbinruswin.com.

In U.S.

Corbin Russwin
Architectural Hardware
225 Episcopal Road
Berlin, CT 06037
Phone: 800-543-3658
Fax: 800-447-6714
www.corbinruswin.com

In Canada

ASSA ABLOY Door
Security Solutions Canada
160 Four Valley Drive
Vaughan, Ontario
Canada L4K 4T9
Phone: 800-461-3007
Fax: 800-461-8989
www.assaabloydss.ca

ASSA ABLOY Group companies offer MicroShield®, an antimicrobial coating for door hardware. MicroShield uses proven silver ion-based technology from Agion®, a leading provider of antimicrobial solutions, to stem the spread of bacteria and other microbes.

MicroShield® is a trademark of ASSA ABLOY Access and Egress Hardware Group, Inc.



The Agion antimicrobial is not intended as a substitute for good hygiene. Coated products must still be cleaned to ensure the surfaces will be free of destructive microbes. ASSA ABLOY makes no representations or warranties, express or implied, as to the efficacy of the Agion antimicrobial. A copy of the Agion warranty is available upon request. Agion is a registered trademark of Agion Technologies, Inc., Wakefield, MA, USA.