

PEMKO PERIMETER GASKETING

Standard Perimeter Gasketing

Experience a safer
and more open world

303_S



AVAILABLE FINISHES:

A, BSP, C, D, G, WSP, SN

WIDTH:

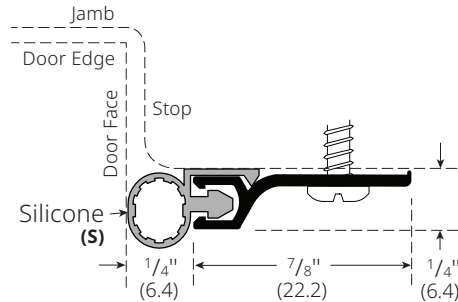
1/4" (6.4 mm)

PROFILE HEIGHT:

7/8" (22.2 mm)

TOTAL WIDTH WITH INSERT:

1 1/8" (28.6 mm)



A (Mill Finish)

BSP (Black Suede Powder Coat)

C (Clear Anodized)

D (Dark Anodized)

G (Gold Powder Coat)

WSP (White Suede Powder Coat)

SN (Satin Nickel Powder Coat)

TITLE:
PREPARED FOR:
PREPARED BY:
DATE:
COMMENTS: