

Experience a safer
and more open world

Rockwood Panic Device PDU8000-2 (Half-Height L-Shaped Pull)

Specifications:

MATERIAL:
Stainless Steel

FUNCTIONS:

- Keyed
- Passage - dogging standard or security.

GLASS THICKNESS:

- $\frac{1}{2}$ " to $\frac{3}{4}$ " thick standard.
- Non-standard thickness, specify.

APPLICATIONS:

- Glass mounted
- Rail mounted

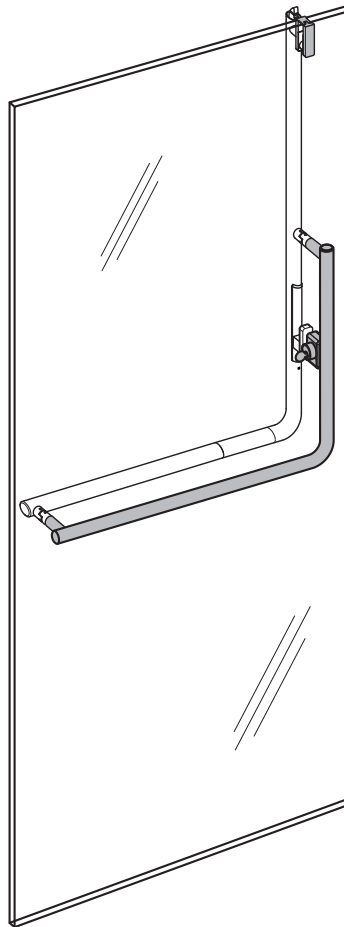
HANDING:

- Right-hand reverse (swing 3)
- Left-hand reverse (swing 4)

OPTIONS:

- Bent end return on panic free end
- 2-Piece Modular Panic
- **REX Monitoring – Only available on rail mounted P style doors. $2\frac{3}{4}$ " door rails are not compatible.

**REX Monitoring option does not meet ADA,
5lbs of opening force.



Certifications:

ANSI/BHMA A156.3-2025 (Stainless Steel and Stock PC Finishes)
UL305 (2017)
CAN/ULC-S132 (2016)
California Building Code (2019) Sec. 11B-309.4
ADA Compliant
A156.41 (2020)
IBC Sec. 1010.1.9.6 (2021)
A156.3-2020 1000lb Security Test
ANSI/BHMA A156.44-2021

Available Finishes:

- US32/629
- US32D/630
- US32316
- US32D316
- US32DMS
- US32D (device)/
US32 (push area)
- 314E
- 4E
- 10BE/Stock
Powder Coats

Engraved
PUSH Area Finish
Options:

- Black
- White
- Less Paint
- Custom Color

DIMENSIONS:
Grip: $\varnothing 1\frac{1}{4}$ "

Vertical (crash bar
to top of tube): 28
 $\frac{1}{2}$ " min; Max per
GANA guidelines

Horizontal: $15\frac{3}{4}$ "
min; 48" max

Projection:
 $2\frac{5}{8}$ " Panic side;
 $3\frac{1}{4}$ " Mating pull
side

Sold Through:



Authorized Channel Partner
ASSA ABLOY

ASSA ABLOY Opening Solutions
Glass Solutions
Rockwood, PA
P: 855.594.6989 • F: 844.851.8665
www.assaabloyglass.us
Orders.GlassSolutions@assaabloy.com • TechSupport.GlassSolutions@assaabloy.com

ASSA ABLOY Door Security Solutions
Vaughan, ON L4K 4T9
P: 800.461.3007
www.assaabloydss.ca