



Glass Solutions

ASSA ABLOY

Experience a safer
and more open world

PUSH

Table of Contents

ThermaGuard™ NFRC System	7
Door Rails	8
Vertical Stiles	13
Sidelite Glazing Hardware	15
Headers	20
Patch Fittings.....	24
Door Controls	28
Panic Devices	44
Sliding Door Hardware	52
Door Pulls	56
Mechanical Locking Hardware	60
Electrified Hardware.....	81





ASSA ABLOY Glass Hardware Solutions

As the industry leader in door security, innovation, and design, ASSA ABLOY offers a complete line of commercial hardware solutions for all glass entrances and partitions, including: patch fittings, door rails, sliding and folding systems, architectural pulls, and mechanical and electrified locking products.

Our Glass Solutions program offers the convenience of placing a consolidated order with same day shipping and support from dedicated technical and customer service experts.

Glass Solutions Program Information

The ASSA ABLOY Glass Solutions program offers the convenience of placing a single order, with one shipment, from multiple ASSA ABLOY brands.

Customer Service/Technical Product Support

For Glass Solutions questions please contact us via phone or email.

Call: 855 594 6989

Email: CustomerService.GlassSolutions@assaabloy.com or TechSupport.GlassSolutions@assaabloy.com

Hours of Operation

Customer Service and Technical Support: 8:00 am - 4:30 pm EST

Ordering

To place an order:

Fax: 844 851 8665

Email: Orders.GlassSolutions@assaabloy.com

Website: www.assaabloyglass.us

Part Number Structure

Our part numbers were designed to facilitate ease of ordering and ensure all products are tied to the coordinating job. Each part number specifies the product family, glass thickness (if applicable), and finish.

Glass Thickness Sizing Codes

Glass Thickness	Size Code
3/8"	A
1/2"	B
9/16"	C
5/8"	D*
11/16"	E*
3/4"	F*
13/16"	G*

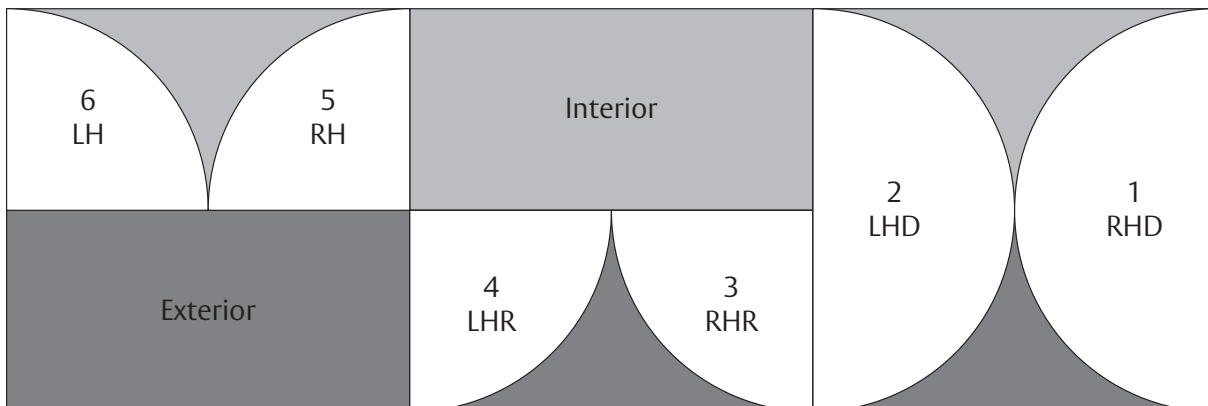
*Available on select products.

Finishes**

US Code	ANSI/BHMA Code	Description
28	628	Clear Anodized Aluminum
314	n/a	Extra Dark Anodized Aluminum
(314E)	n/a	Extra Dark Anodized Equivalent
32D	630	Satin Stainless Steel
32	629	Bright Stainless Steel
WSP	n/a	White Suede Powder Coat
BSP	n/a	Black Suede Powder Coat
4E	n/a	Translucent Brass Powder Coat

**Special finishes considered upon request

Door Handing and Swing

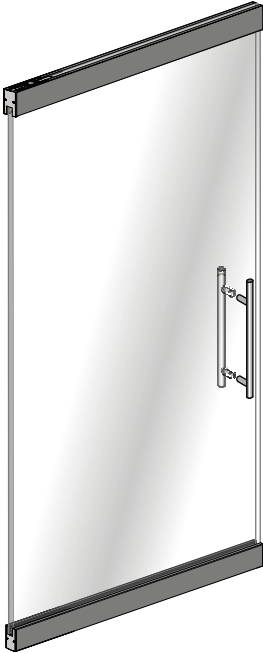


Glass Door Styles and Handing

There are five basic configurations of glass doors as established by the Glass Association of North America (GANA). For the available variations of each style, refer to the Glass Door Configuration section.

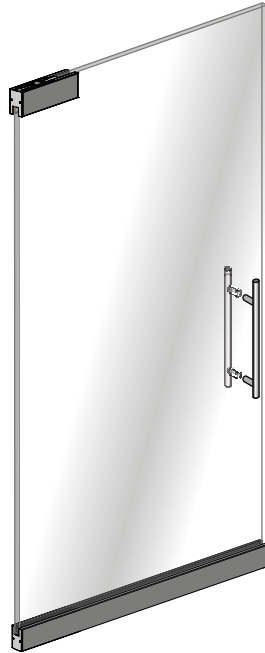
P

Full door rail top and bottom



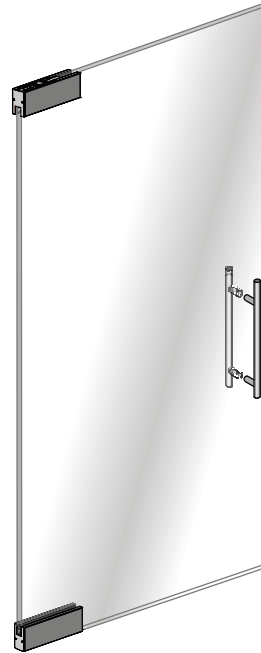
BP

Full door rail bottom and patch fitting top



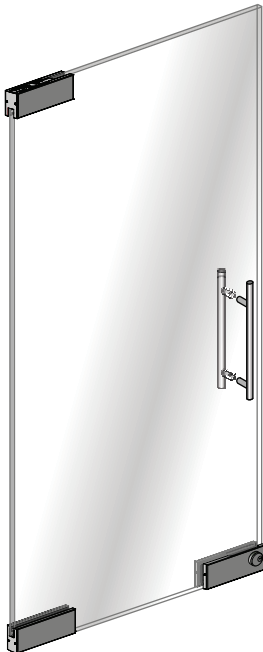
A

Patch fitting top and bottom



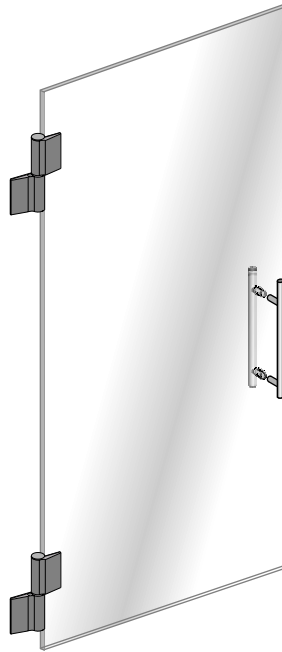
F

Patch fitting top and bottom with patch lock



H

Hinges



Sustainability

Sustainability is the natural translation of ASSA ABLOY's Corporate Cornerstones: vision, realism, courage, and ethics. These cornerstones have been central to the Group's development since its creation in 1994. The environment, business ethics, and social responsibility are critical issues and are an integral part of our ASSA ABLOY society. Our unconditional aim is to make sustainability a central part of our business philosophy and culture; and even more importantly, to integrate sustainability into our overall business strategy.



Daylighting

There are many attributes to a sustainable built environment such as daylighting. Daylighting is the process of bringing natural light and direct sunlight into a building through windows, skylights, and interior glass. Exposure to natural light helps improve occupant health, happiness, productivity, and well-being, while decreasing total building energy costs by almost a third.

Glass

Glass creates openness in a space. In an office environment, openness promotes happiness, creativity, and communication, which are important aspects of good design. In creating a modern atmosphere, glass never looks old or outdated. Being more durable than most materials, glass has longevity that offers an ideally cost-effective solution. Also, glass applications are easily configured, allowing flexibility in any design. At ASSA ABLOY, we believe good design is more than just tangible; good design is imperceptible.



ThermaGuard™ Glass Entrance System

Improve the overall sustainability of your facility and the efficiency of its heating and air conditioning systems with Rockwood's ThermaGuard glass entrance system.



Certifications

- NFRC 102-2020 - Procedure for measuring the rate of heat transfer of fenestration systems
- AAMA 1503-09 - Test method for determining condensation resistance of doors
- ASTM E283/E283M-19 - Test method for determining rate of air leakage through doors

**Tested using 1/4" Clear / 0.060" Saflex PVB/ 1/4" AGC Energy Select 73 (e=0.148, #4) 9/16" Laminated Glass*

System Features:

- Reduces building energy costs by blocking re-radiated heat
- Increases efficiency of heating and air conditioning systems
- Low air infiltration and exfiltration
- Prevents the formation of condensation and frost
- Compatible with other ASSA ABLOY Group products



Door Rails

Rockwood Door Rails offer ease of installation with dependable quality. These pre-assembled mechanical rails have a variety of fabrication options to create a customized solution that fits any application.





Features

- Dry glaze pre-assembled mechanical rails
- One-piece compression system for easy, fast installation
- Tested in a variety of simulated and real-life scenarios to ensure holding power
- Matching sidelite rails offered
- Precision, custom fabrication for compatible hardware
- Locking option available on all styles
 - Lock body installed; cylinder, thumbturn, and dustproof strike ordered separately
- Door rail indicator available on all bottom rails except DRT-275
- Adjustable blocking for standard hardware provides left to right field alignment
- 2³/₄" tapered, 4" tapered, 10" square door rails meet ADA requirement

Specifications

- Rail Options:**
- (B) - bottom rail
 - (T) - top rail
- Rail Lengths:**
- 35³/₄" Standard - single door
 - 35¹³/₁₆" Standard - double door
 - Custom lengths available
- Door Thickness:**
- Tapered 2³/₄" Rail (DRT-275): 1/2", 9/16", 5/8"
 - Square 2³/₄" Rail (DRS-275): 1/2", 3/8" and 9/16"
 - Tapered 4" (DRT-4), Square 4" (DRS-4) Rails, 6" (DRS-6) and 10" (DRS-10) Rails: 3/8", 1/2", 9/16", 5/8", 11/16", 3/4", 13/16"
- Material:**
- Aluminum body
 - Bright or satin stainless steel cladding
- Finishes:** US32D/630, US32/629, US28/628, 314, 314E, BSP, WSP, Stock Powder Coat

2³/₄" Rail Compatible Parts

Floor Closer/Pivot Insert (DRC-275)



Top Pivot Insert (DRP-275)

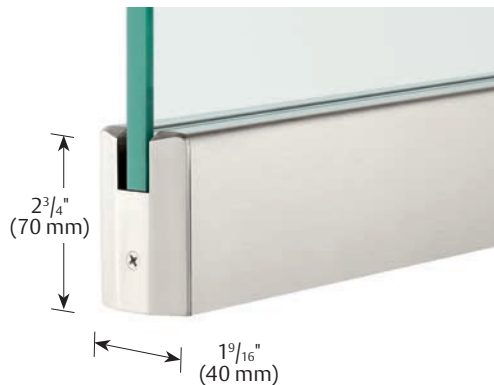


Overhead Closer and Endload Bottom Pivot Arm (DOHC-275)

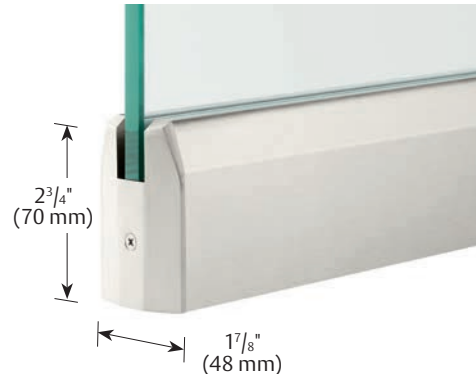


Door Rail Styles

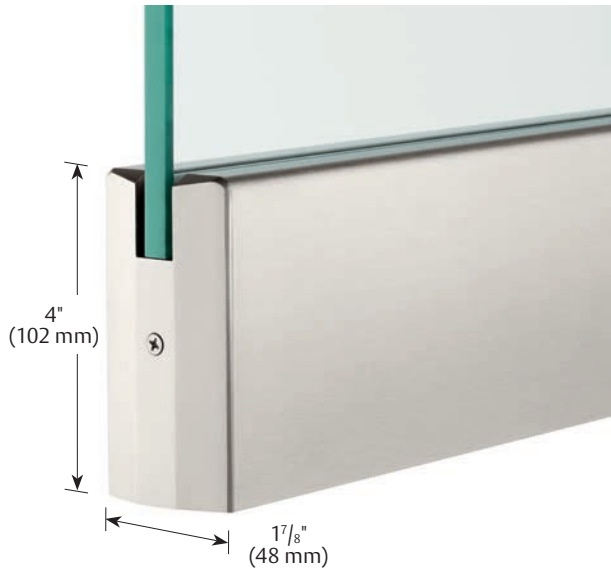
Square 2³/₄" Rail (DRS-275)



Tapered 2³/₄" Rail (DRT-275)

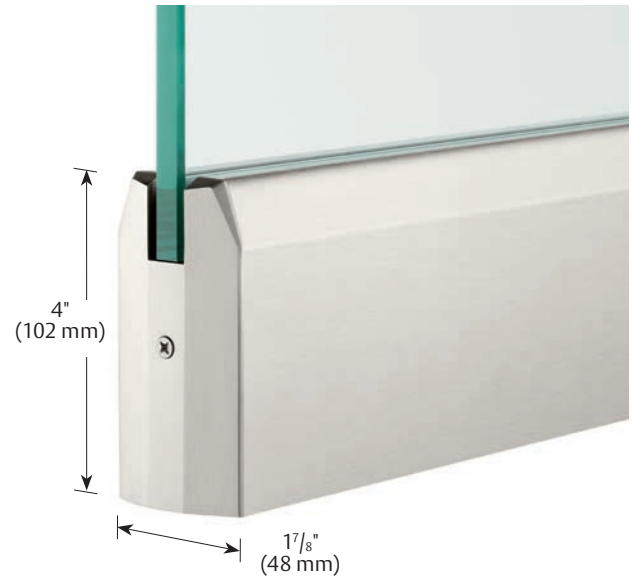


Square 4" Rail (DRS-4)*



*Component of ThermaGuard glass entrance system

Tapered 4" Rail (DRT-4)*



*Component of ThermaGuard glass entrance system

Square 6" Rail (DRS-6)



Door Rail Indicator



Square 10" Rail (DRS-10)*



*Component of ThermaGuard glass entrance system

ROCKWOOD Patch Rails

Features

- Minimalistic look of a patch fitting, but adjustability and function of a door rail
- One-piece compression system provides easy, fast installation
- Adjustable blocking for standard hardware provides left to right field alignment
- Locking option available

Specifications

Height: 4"

Pivot Centerline: $2\frac{5}{8}$ "

Door Thickness: $\frac{1}{2}$ " and $\frac{9}{16}$ "

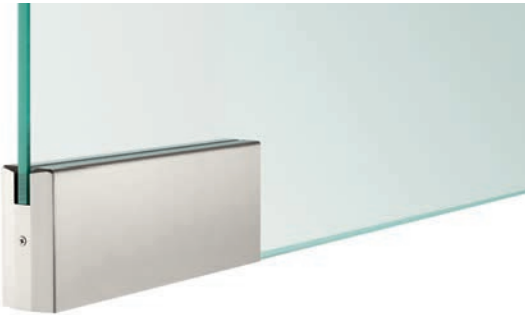
Material:

- Aluminum body
- Bright or satin stainless steel cladding

Finishes: US32D/630, US32/629, US28/628, 314, 314E, 4E, BSP, WSP, Stock Powder Coats

Patch Rail Styles

Square 9.5" Patch Rail (DRS-4PR)



Tapered 9.5" Patch Rail (DRT-4PR)



Compatible Parts

Overhead Closer Arm (DOHC-275)



Walking Beam Pivot (PV-WALKBEAM)



Adjustable End Load Bottom Pivot (PV-ENDLOAD)



Door Rail Compatible Parts

(For 4", 6" and 10" rails)

Adjustable End Load Bottom Pivot
(PV-ENDLOAD)



300 LB Endload Bottom Pivot
(PV-300ENDLOAD)



Walking Beam Pivot
(PV-WALKBEAM)



Electrified Center Hung Top Pivot
(PV-EH340)



Offset Floor Closer Arm
(FC-6275/6280-OFFARM)



Bottom Door Rail Lock
(DR-BTMLOCK)



End Load Overhead Closer Arm
(OHC-609-ARM)



Floor Closer Arm
(FC-6275/6280-ARM)



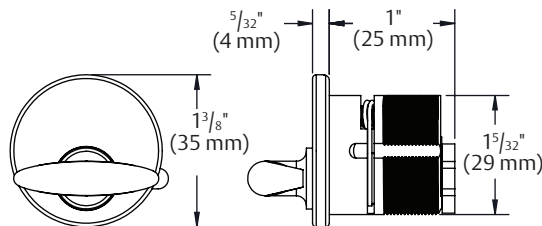
Dust Proof Strike
(570)



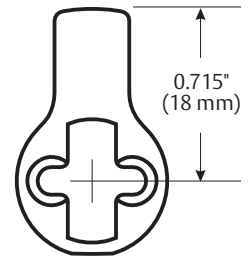
1" Cylinder with Collar
(DR-LOCKCYL)



1" Thumbturn with Collar
(DR-LOCKTT)



Cylinder Cam



Vertical Stiles

Bring weatherization to your glass door opening with Vertical Stiles. This dry glaze pre-assembled design seals gaps on the vertical sides, diminishing unwanted airflow. Installing in under 10 minutes, only one assembler is needed, saving time and installation costs.



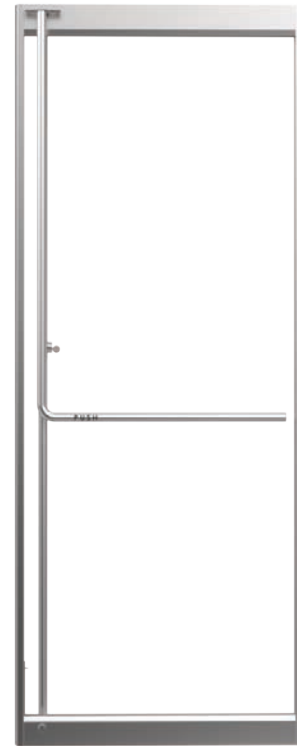
ROCKWOOD Vertical Stiles

Product Features

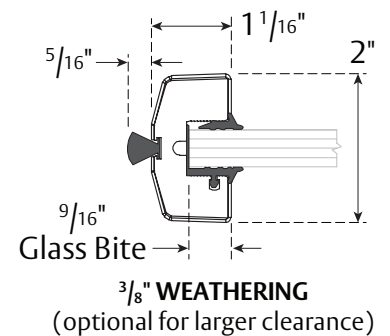
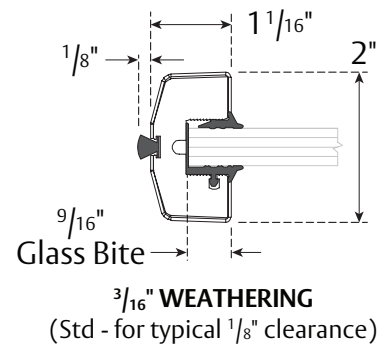
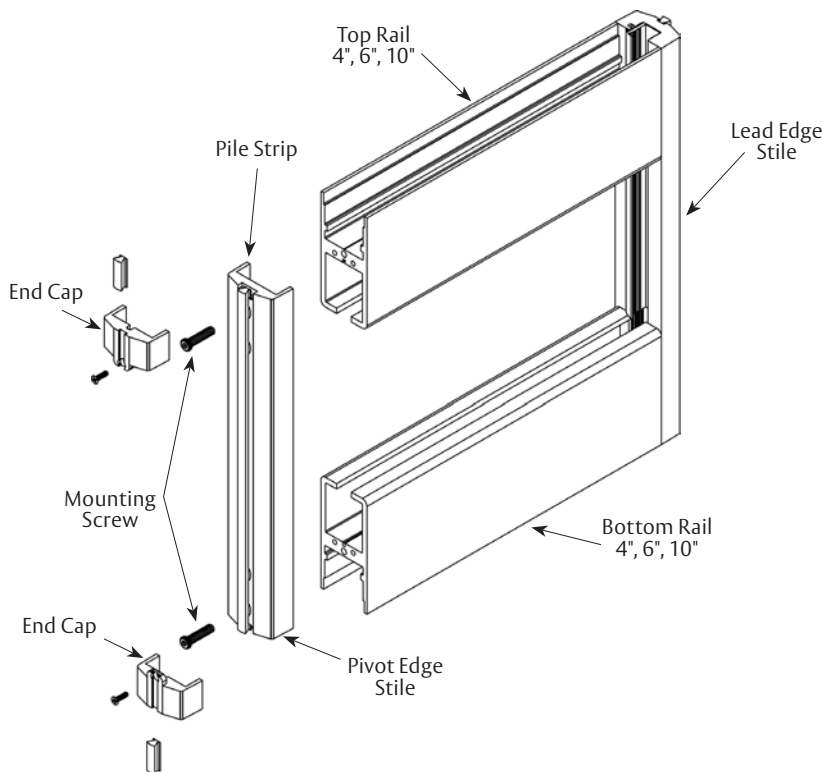
- Seals door gaps on vertical sides of all glass door openings
 - Provides weatherization
 - Diminishes unwanted air flow
- Attaches to top and bottom door rails
- Dry glaze design
 - Gasketing: One side pre-fit, one side pressed in
- Easy and fast installation – one installer, under 10 minutes
- Cladding pre-installed at factor
- Component of ThermaGuard glass entrance system

Specifications

- Materials**
- Bright or Satin Stainless Steel Cladding
 - Clear Anodized or Powder Coated Aluminum Cladding
 - Pile (Black): $\frac{3}{16}$ " and $\frac{3}{8}$ "
- Dimensions**
- Width: 2" with cladding
 - Height profile: $1\frac{1}{2}$ " with cladding
- Glass Thickness**
- $\frac{1}{2}$ ", $\frac{9}{16}$ ", $\frac{3}{4}$ ", and $\frac{13}{16}$ "
- System Components**
- Max lengths of 120" both stock and made to order
 - Hardware preps available
- Finishes**
- US32D/630, US32/629, US28/628, 314E, 4E, BSP, WSP, Stock Powder Coats



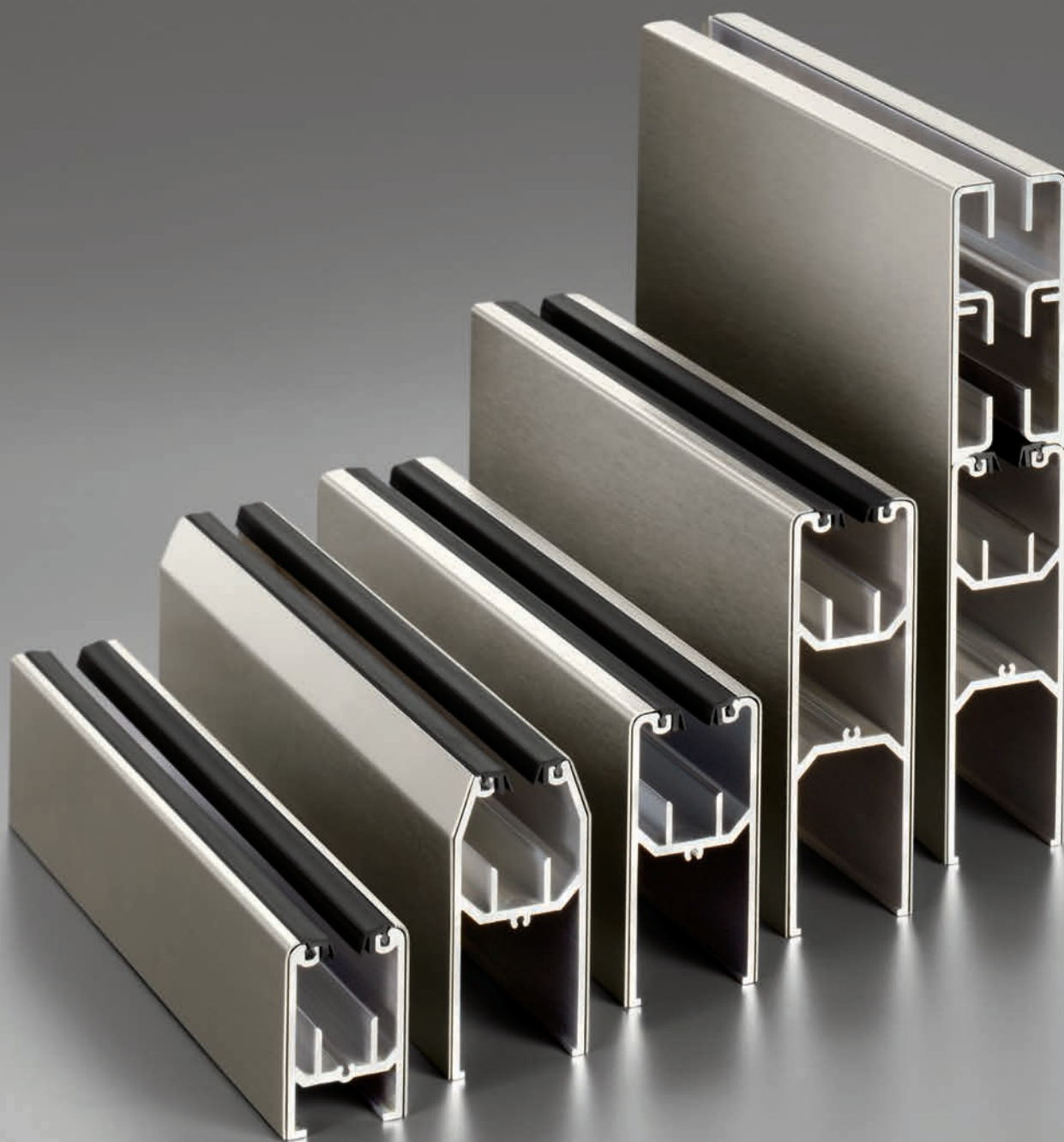
Exploded View



Above dimensions are with cladding.

Sidelite Glazing Hardware

Sidelite Rails and U-Channels are designed to preserve the clean, modern appearance of glass walls and sidelites. Rockwood offers an assortment of sizes in aluminum and stainless steel finishes.



ROCKWOOD Sidelite Rails

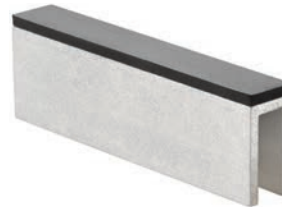
Sidelite Rails maintain a seamless, consistent appearance when used with matching door rails. Available in stock or cut size lengths, the dry-glaze installation is fast and efficient.

Product Features

- Provides aesthetic continuity when used with coordinating door rails
- Standard pre-fit, dry-glaze, black vinyl
- Roll-in gasketing alternative (black only)
- Variety of reversible saddles offered for fluctuating clearances and out-of-tolerance openings

Specifications

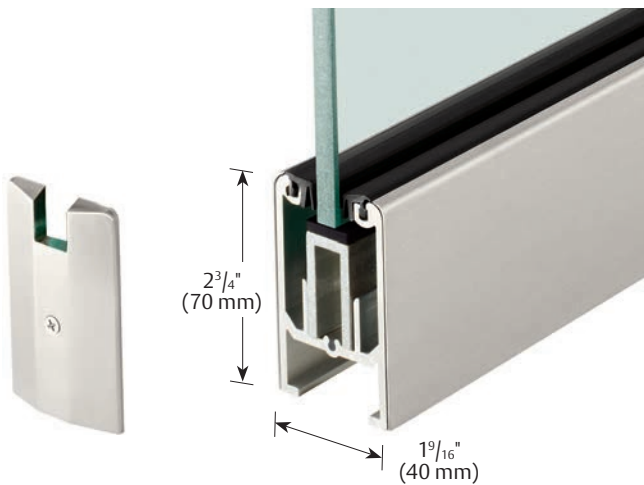
- | | |
|--------------------------|---|
| Materials | <ul style="list-style-type: none"> • Aluminum body • Bright or satin stainless steel cladding |
| Glass Thickness | <ul style="list-style-type: none"> • SRS-4 and SRT-4: $\frac{3}{8}$", $\frac{1}{2}$", $\frac{9}{16}$", $\frac{5}{8}$", $\frac{11}{16}$", $\frac{3}{4}$", and $\frac{13}{16}$" • SRS-275, SRT-275, SRS-6 and SRS-10: $\frac{3}{8}$", $\frac{1}{2}$", and $\frac{9}{16}$" |
| System Components | <ul style="list-style-type: none"> • Cut-to-length or 12' stock lengths available; Powder Coat max length is 120" • 4" aluminum setting blocks included with bottom rails • End caps sold separately |
| Finishes | US32D/630, US32/629, US28/628, 314, 314E, 4E, BSP, WSP, Stock Powder Coats |



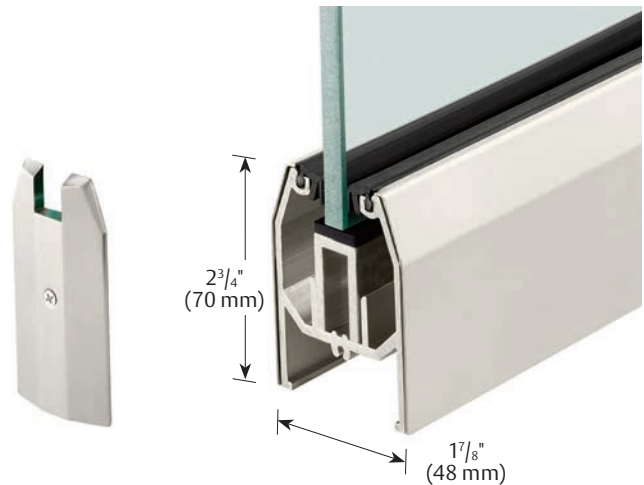
Setting Block

Sidelite Rail Styles

Square $2\frac{3}{4}$ " Rail (SRS-275)

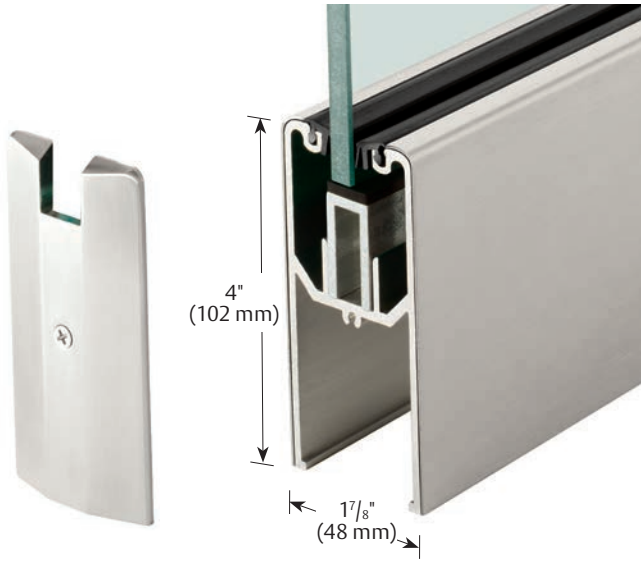


Tapered $2\frac{3}{4}$ " Rail (SRT-275)

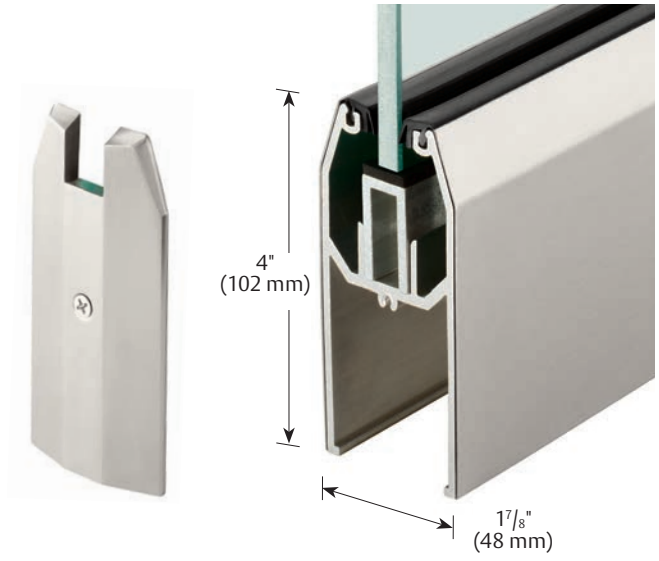


Sidelite Rail Styles

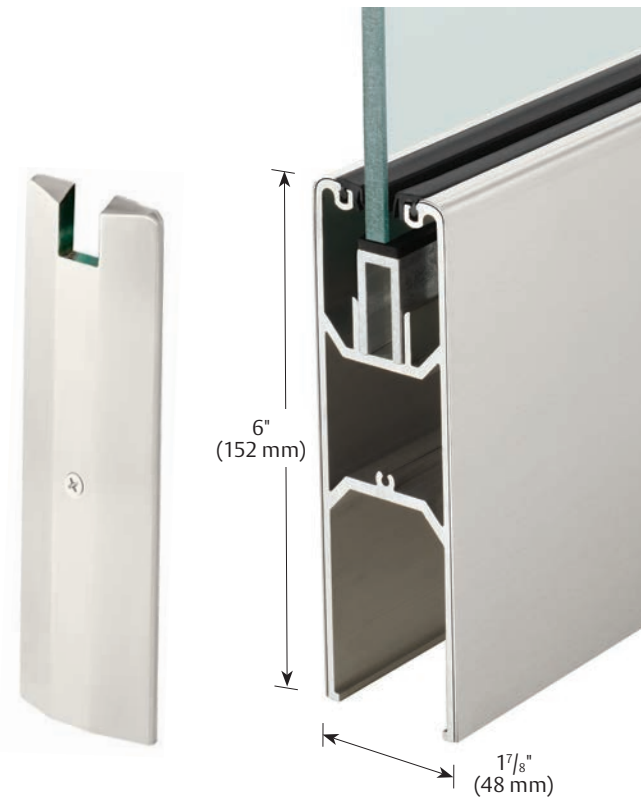
Square 4" Rail (SRS-4)



Tapered 4" Rail (SRT-4)



Square 6" Rail (SRS-6)

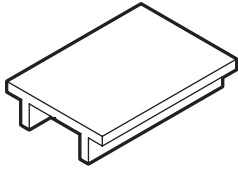


Square 10" Rail (SRS-10)



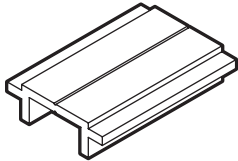
ROCKWOOD Saddles

2-3/4" Rails



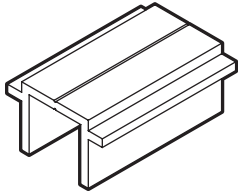
SAS-1500x125

- 1/8" H x 1 1/2" W
(3 mm H x 38 mm W)
- Non-reversible
2 3/4" (70 mm) Square rail only



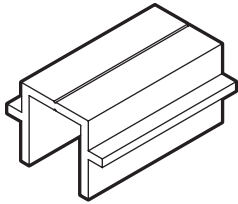
SAR-1500x188/375

- 3/16" and 3/8" H x 1 1/2" W
(5 mm and 10 mm H x 38 mm W)
- Reversible
2 3/4" (70 mm) rail only



SAR-1500x250/750

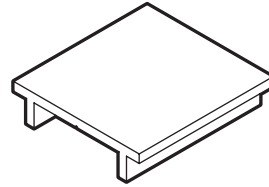
- 1/4" and 3/4" H x 1 1/2" W
(6 mm and 19 mm H x 38 mm W)
- Reversible
2 3/4" (70 mm) Square rail only



SAR-1500x500/625

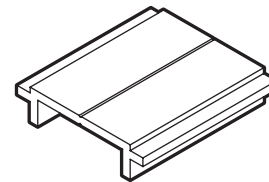
- 1/2" and 5/8" H x 1 1/2" W
(13 mm and 16 mm H x 38 mm W)
- Reversible
2 3/4" (70 mm) Square rail only

4", 6" and 10" Rails



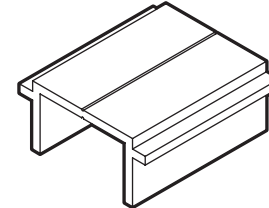
SAS-1875x125

- 1/8" H x 1 7/8" W
(3 mm H x 48 mm W)
- Non-reversible



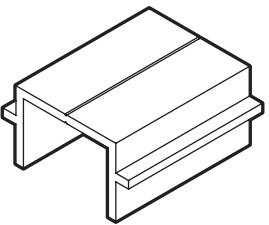
SAR-1875x188/375

- 3/16" and 3/8" H x 1 7/8" W
(5 mm and 10 mm H x 48 mm W)
- Reversible



SAR-1875x250/750

- 1/4" and 3/4" H x 1 7/8" W
(6 mm and 19 mm H x 51 mm W)
- Reversible



SAR-1875x500/625

- 1/2" and 5/8" H x 1 7/8" W
(13 mm and 16 mm H x 48 mm W)
- Reversible

ROCKWOOD Gasketing

Gasketing options apply to both Sidelite Rails and U-Channels.



GD-PREFIT-B

Sidelites: Pre-fit 1/2" and 3/4" glass
U-Channels: Pre-fit 1/2" glass



GD-PREFIT-A

Pre-fit 3/8" glass



GD-ROLLIN-B

Sidelites: Roll-in 1/2" and 3/4" glass
U-Channels: Roll-in 1/2" glass



GD-WEDGE-B

Wedge for 1/2" and 3/4" glass
(not offered on Sidelite Rails)



GD-WEDGE-AD

Sidelites: Wedge for 5/8" glass
Wet/Dry U-Channels:
Wedge for 3/8" and 5/8" glass



GD-WEDGESS-B

2-Piece U-Channel:
Wedge for 1/2" glass

ROCKWOOD U-Channels

U-channels secure glass into position and create a continuous, minimal profile that allows the maximum amount of natural light to enter the room.

Product Features

- Easy and efficient to install
- Lengths:
 - 12' stock or custom
- Standard roll-in, dry glaze, black vinyl (pre-fit, black gasket optional)
- Wet/dry glaze channel (gasketing not standard)
 - Wedge gasket available
 - Can be used with silicone
 - End caps sold separately

Specifications

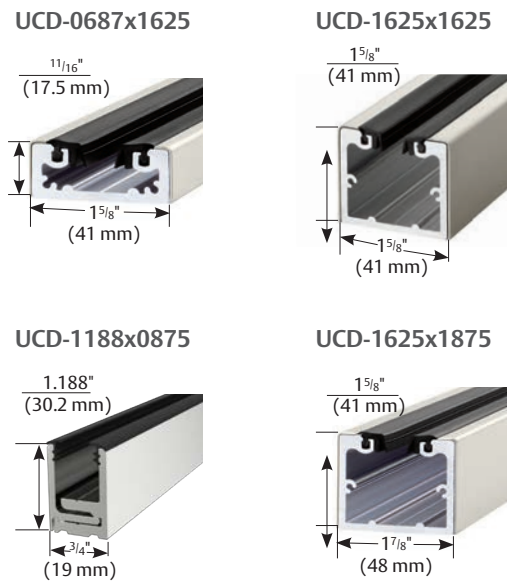
- Materials:**
- Aluminum body
 - Bright or satin stainless steel cladding

Glass Thickness: $\frac{3}{8}$ " , $\frac{1}{2}$ " , $\frac{9}{16}$ " , $\frac{5}{8}$ " , and $\frac{3}{4}$ "

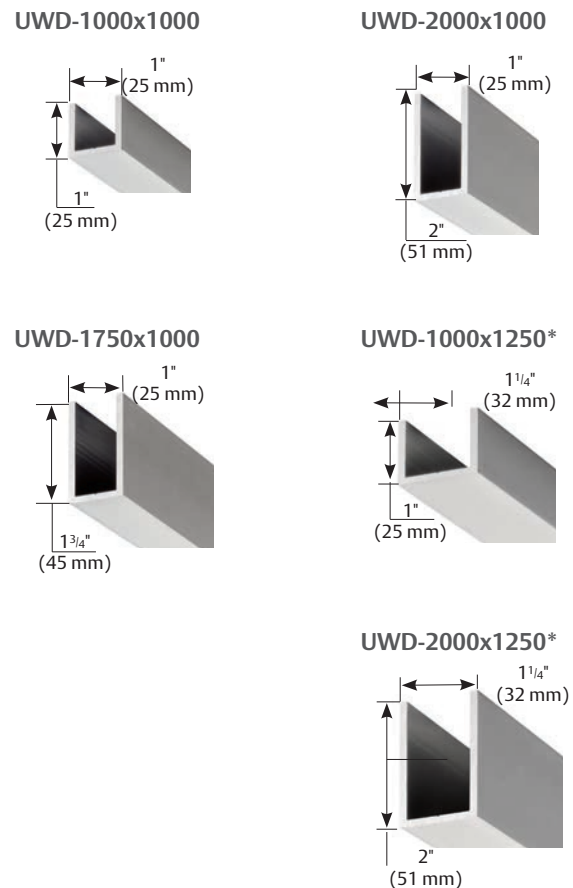
Finishes: US32D/630, US32/629, US28/628, 314, 314E, 315E, WSP, BSP, Stock Powder Coats

U-Channel Styles

Dry U-Channels

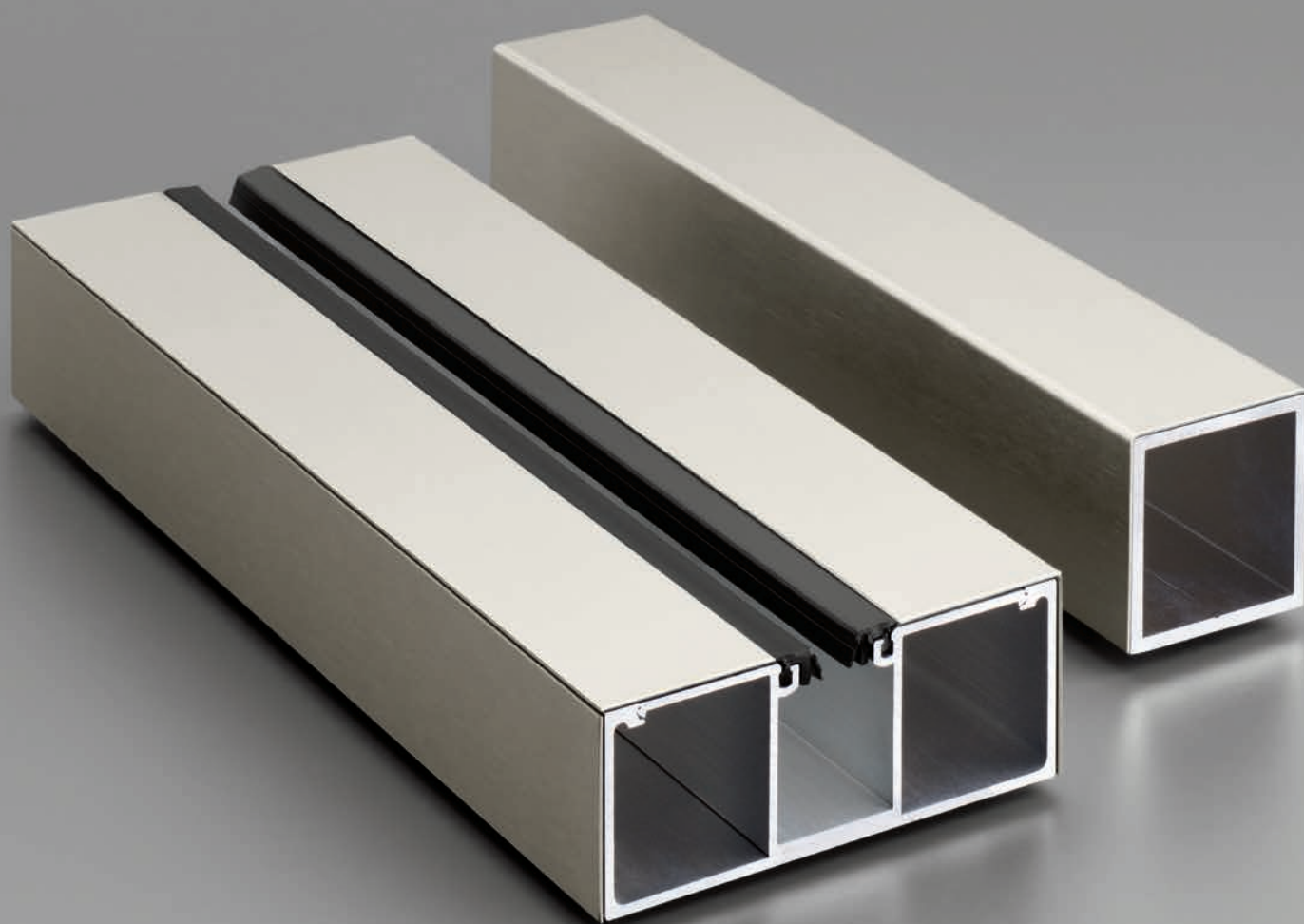


Wet/Dry U-Channels



Headers

Rockwood's state-of-the-art equipment and skilled, in-house engineering services quickly and effectively produce intricate header configurations to support any glass door solution.



ROCKWOOD Headers

Headers conceal hardware for glass door systems. They house a range of products such as closers, strikes, mag locks, and pivots. Our Glass Solutions program offers a collection of solid, floating, and two-piece header systems for doors and sidelites.

Product Features

- Two-piece, snap-fit headers for standard hardware applications
 - No exposed fasteners provide easy access while maintaining clean aesthetics
 - Can be prepped for ESK-1600, ESK-9100, ESK-9200 electric strikes, and MSK manual strikes
- Solid tube headers fabricated for complex hardware applications
- Floating headers available
- All hardware mounting brackets and clips come pre-installed
- All headers prepped by machining centers
- Vinyl gasketing for all sidelite applications
- No additional charge for non-standard lengths

Finishes

- US32D/630, US32/629, US28/628, 314, 314E, 4E, BSP, WSP, Stock Powder Coats

Header Types

Overhead Closer Header



Pivot Header



Sidelite Header

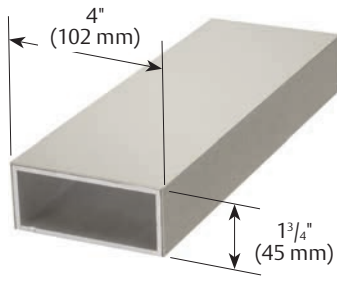


Floating Header

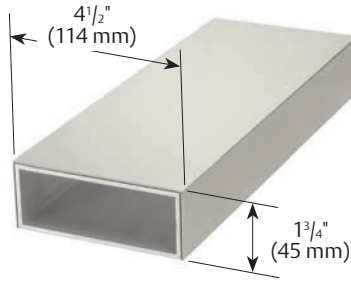


Solid Headers

HDS-1750x4000

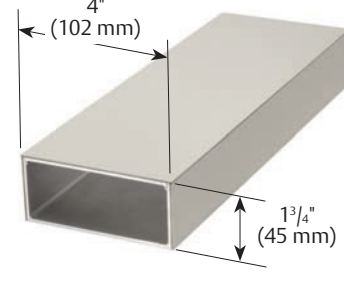


HDS-1750x4500

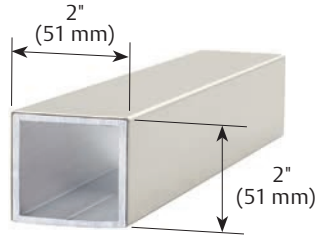


Two-Piece Headers

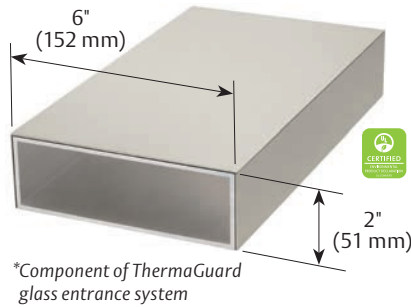
HDR-1750x4000



HDS-2000x2000

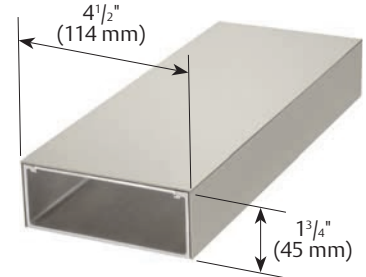


HDS-2000x6000*



*Component of ThermaGuard glass entrance system

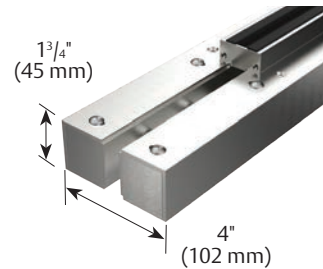
HDR-1750x4500



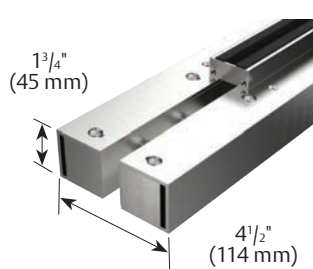
Floating Headers

When opening heights exceed door height recommendations and glass transoms are necessary, floating headers are the perfect solution. They allow for top locking mechanisms, as well as overhead closers, when floor closers are undesirable.

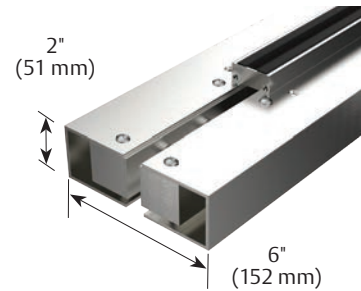
HDF-1750x4000



HDF-1750x4500



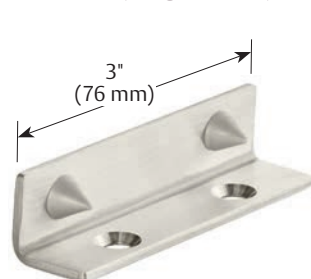
HDF-2000x6000



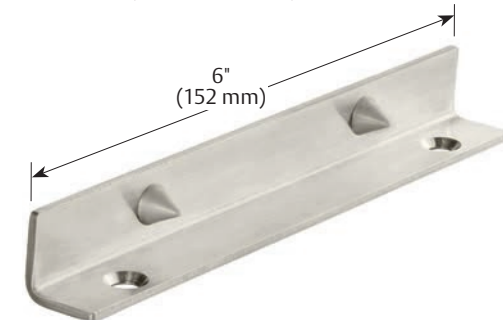
Angle Door Stops

- For single acting doors

DS-3000 (single door)



DS-6000 (double door)



ROCKWOOD Jamb Tubes

Complete your glass door opening with our vertical jamb tubes. Designed to house locking hardware; jamb tubes also provide support for intermediate headers when the opening exceeds recommended door heights.

Product Features

- Two-piece snap fit jambs for easy wall mounting without any exposed fasteners
- Solid jambs provide intermediate vertical framing with head and sill mounting brackets
- Mounting brackets can be pre-fabricated into the jamb tubes or sent separate for field flexibility
- Cladded jambs will have bent corners and hemmed meeting points for safety
- Vinyl gasketing supplied for all sidelite pockets and slots
- Solid jambs can be fabricated for locking device strikes
- Solid tubes can provide anchoring structure for intermediate headers when the opening is too tall for recommended door heights

Finishes

- US28/628, US32/629, US32D/630, 314E, 4E, BSP, WSP, Stock Powder Coats
- NOTE: 144" maximum length for powder coat, US28/628, US32/629 and US32D/630 finishes (maximum length for continuous stainless cladding is 90", anything greater will require a splice).
- Exceptions: 90" maximum length for 1-3/4" x 4" and 2" x 2" solid tubes in US28/628.

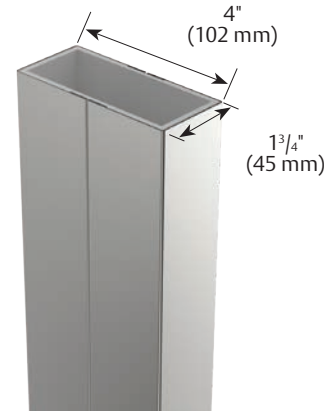
HDSJ-2000x6000



HDSJ-2000x2000



HDSJ-1750x4000



HDSJ-1750x4500



HDRJ-1750x4000



HDRJ-1750x4500



Patch Fittings

Rockwood provides patch fittings for doors, sidelites, and transoms, offering designers and architects a complete selection of products for most frameless glass configurations.



ROCKWOOD Patch Fittings

With a maximum door weight of 300 lbs., our patch fitting design is manufactured to meet the industry standard and deliver the ultimate in strength and reliability.

Product Features

- Manufactured for industry standard dimensions
 - Standard glass prep
 - 2³/₄" pivot centerline
- Snap-on cover
- Bottom patch lock available
 - 5-Pin cylinder, 1" length
- Used with monolithic or laminated glass
- Synthetic gasketing provides ultimate durability

Specifications

- Maximum Door Weight:** 300 lbs. (42" maximum door width)
- Door Thickness:** 3/8" to 9/16"
- Material:**
- Stainless steel inserts
 - Aluminum body
 - Aluminum or stainless steel cover
- Finishes:** US32D/630, US32/629, US28/628, 314E, 4E, BSP, WSP, Stock Powder Coats

Door Patch Fittings

Bottom Patch (PFD-10)

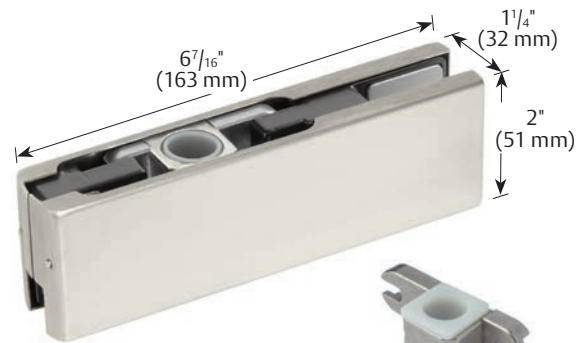
- Floor Closer/Pivot Insert (included) (PFD-10INS)
- Functions with 6275/6280 Tapered Floor Closer Spindle



PFD-10INS

Top Patch (PFD-20)

- Top Pivot Insert (included) (PFD-20PIVINS)



PFD-20PIVINS

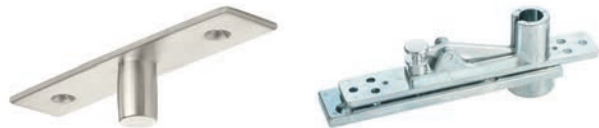
Compatible Parts



Floor Mount Pivot (PF-FM-PIVOT)

Adjustable Pivot (PF-ADJ-PIV)

Compatible Parts



Surface Mount Pivot (PF-SM-PIVOT)

Walking Beam Pivot (PV-WALKBEAM)

Tapered Patch Fitting Cover (PFD-10/20/22-TAPCVR)

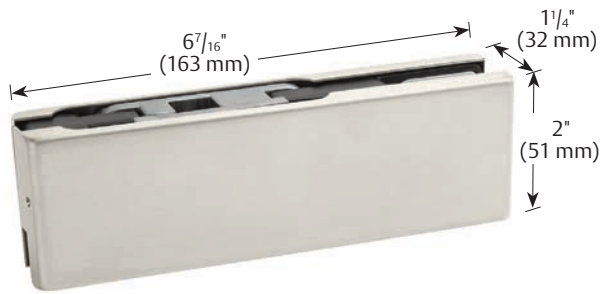


- Snap on cover for PFD-10, PFD-20, and PFD-22 patch fitting bodies
- 70° tapered design
- Dimensions: 2³/₄" high; 6⁷/₁₆" long
- 2 covers provided; patch fitting sold separately
- Material: Aluminum or Stainless Steel
- Finishes: US32D, US32, US28, 314E, BSP, WSP, Stock Powder Coats

Door Patch Fittings

Top Patch (PFD-22)

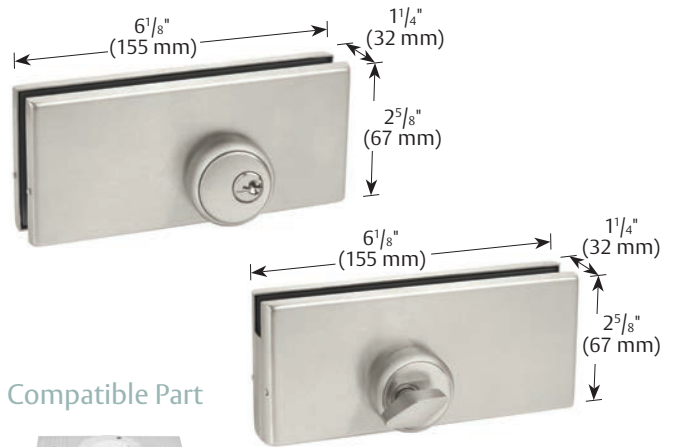
- Overhead Closer Insert (included) (PFD-22OHCINS)



PFD-22OHCINC

Patch Lock (PFD-100)

- Round Bolt Dead Bolt Lock
- Available with 1" cylinder and thumbturn



Compatible Part

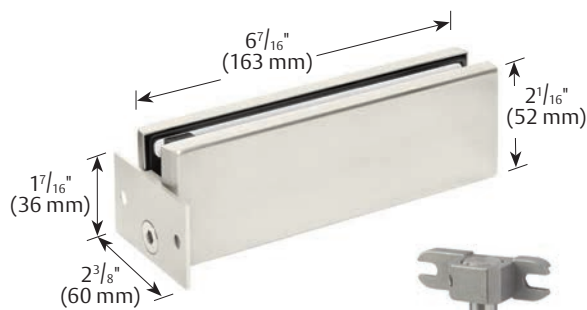


Dust Proof Strike (570)

Transom Patch Fittings

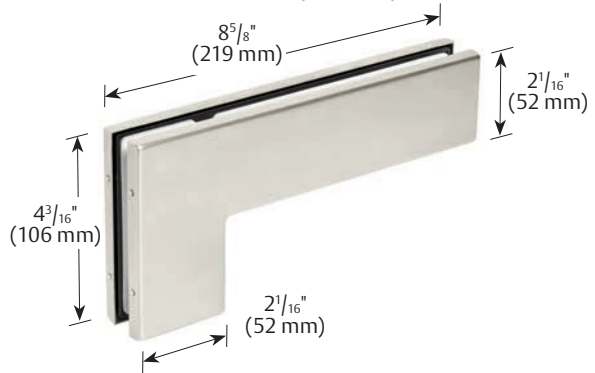
- Pivot Insert (included) (PFT-34/40/41-PIVINS)
- Compatible Parts: PFD-20BC

Transom Patch with Wall Bracket (PFT-34)



Pivot Insert
(PFT-34/40/41-PIVINS)

Sidelite Transom Patch (PFT-40)



Optional Inserts



Blank Insert
(PFT-34/40/41-BLANKINS)



Stop Insert
(PFT-34/40/41-STOPINS)

Transom Patch Fittings

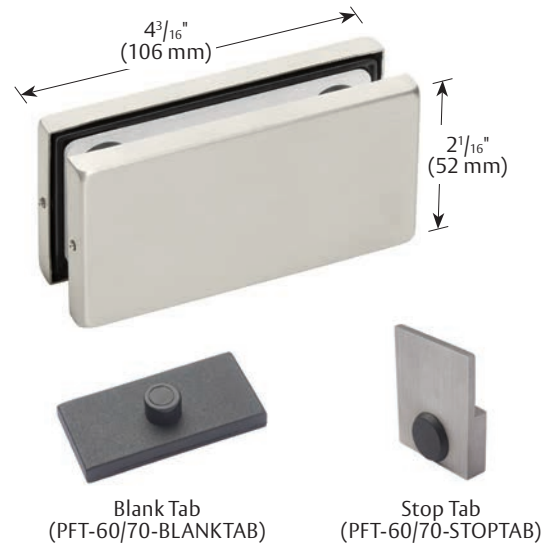
Sidelite Transom Patch (PFT-60)

- Included: Stop Insert (PFT-60/70-STOPTAB)
Blank Insert (PFT-60/70-BLANKTAB)



Transom Stop Patch (PFT-70)

- Included: Stop Insert (PFT-60/70-STOPTAB)
Blank Insert (PFT-60/70-BLANKTAB)



Door Controls

Rockwood door control solutions offer precision control, making interaction with the door almost effortless. Our product design is proven to be easy to install and maintain, with a long-life of reliability, and ASSA ABLOY door closers and operators are tested for compliance with the latest code requirements



ROCKWOOD Hydraulic Door Controls

Hydraulic Patch Fitting

Product Features

- Hold open at 90 or 105 degrees or non-hold open
- Max opening of 170 degrees
- Adjustable closing and latching speeds
- Pivot Centerline: 2-5/8"
 - Standard 1/8" gap the opening can achieve a 2 3/4" pivot centerline
- Double Acting

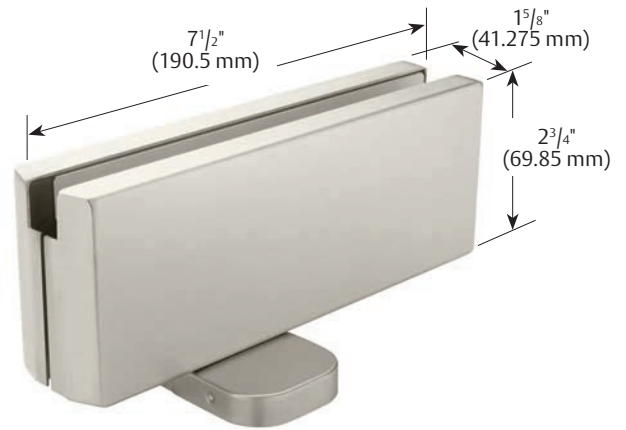
Specifications

Part Number: PFD-HYD

Maximum Door Weight: 220 lbs (Maximum door width 39-3/8")

Glass Thickness: 3/8" and 1/2"

Finishes: US32D/630, US32/629, 314E, BSP, WSP, Stock Powder Coats



Compatible Parts

PFD-20



PFT-34



PFT-40



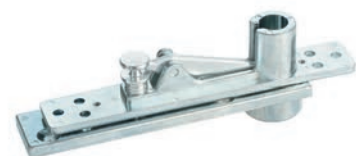
PFT-41



PF-SM-PIVOT



PV-WALKBEAM



Hydraulic Hinges

Features

- Sold in sets. Supplied with either DS-3000 or DS-6000 stop per set
- Mounting options: Glass to Glass or Glass to Wall
- Handed (RH or LH)
- Hold-open between 90 or 180 degrees
- Adjustable closing speed and constant breaking control
- ADA option available

Specifications

Part Numbers: HYD-HINGE / HYD-HINGE-ADA

Maximum Door Weight:

- Glass to Glass: 220lbs
- Glass to Wall: 264lbs / ADA 220lbs

Maximum Door Width:

- Glass to Glass: 39"
- Glass to Wall: 47"

Glass Thickness: 3/8", 1/2", 9/16", 5/8", 11/16", 3/4", 13/16"

Jamb Depth: 1-3/16" to 1-15/16"

Finish Options: Satin Stainless Steel (US32D/630)

Glass to Glass



Glass to Wall



ROCKWOOD 609 Overhead Concealed Door Closer

The 609 offers reliable control of interior and exterior doors, while offering the minimal appearance preferred by top designers. A compact, cast iron body makes the 609 an easy fit for a wide range of applications and able to withstand abuse.

Product Features

- Medium-duty cast iron closer
- Adjustable spring size 1-3
- Double acting
- Center hung
- End load arms
- Non-handed
- Optional hold open assembly built into closer
- Separate closing and latching valves
- 5 mm extended spindle
- All weather fluid

Specifications

- Closer: OHC-609**
- 90° Back stop, non-hold open (OHC-609-90NHO)
 - 90° Back stop, hold open (OHC-609-90HO)
 - 105° Back stop, non-hold open (OHC-609-105NHO)
 - 105° Back stop, hold open (OHC-609-105HO)
 - Closer mounting clips pre-installed into finished header tube (header specified separately)

Maximum Door Weight: 200 lbs.

Maximum Door Width:

- Interior 42"
- Exterior 36"

Base Material:

- Cast iron body
- Radial ball bearing bottom pivot

Dimensions: 11³/₄" x 3³/₄" x 1¹/₂"

Patents, Approvals, Listings:

- UL/cUL listed for use on fire rated doors
- UL10C listed for positive pressure fire test
- Barrier free operation to comply with Federal Accessibility Standards (ADA); center pivoted applications comply with ANSI A117.1



Accessories

- Mounting Clips (OHC-609-MC)
- End Load Arm (OHC-609-ARM)
- Use Auxiliary Stop with OHC-609



Pivot Options

- Door Rail Adjustable Endload Bottom Pivot (PV-ENDLOAD)



- Patch Fitting Floor Mounted Pivot (PF-FM-PIVOT)



- Patch Fitting Adjustable Pivot (PF-ADJ-PIVOT)



ROCKWOOD 304 Heavy Duty Overhead Concealed Door Closer

Heavy glass requires a heavy-duty closer. The 304 Series maintains strong and lasting movement using the same cast iron body as the 609 with a stronger spring.

Product Features

- Heavy-duty cast iron closer
- Spring size 4
- Double acting
- Center hung
- End load arms
- Non-handed
- Optional hold open assembly built into closer
- Separate closing and latching valves
- 5 mm extended spindle
- All weather fluid

Specifications

- Closer: OHC-304**
- 90° Back stop, non-hold open (OHC-304-90NHO)
 - 90° Back stop, hold open (OHC-304-90HO)
 - 105° Back stop, non-hold open (OHC-304-105NHO)
 - 105° Back stop, hold open (OHC-304-105HO)
 - Closer mounting clips pre-installed into finished header tube (header specified separately)
- Maximum Door Weight:**
- Interior: 300 lbs.
 - Exterior: 250 lbs.
- Maximum Door Width:**
- Interior 48"
 - Exterior 42"
- Base Material:**
- Cast iron body
 - Radial ball bearing bottom pivot
- Dimensions:** 11³/₄" x 3³/₄" x 1¹/₂"
- Patents, Approvals, Listings:**
- UL 228



Accessories

- Mounting Clips (OHC-609-MC)
- End Load Arm (OHC-609-ARM)
- Use Auxiliary Stop with OHC-304



Pivot Options

- Door Rail Endload Bottom Pivot (PV-300ENDLOAD)
- Patch Fitting Floor Mounted Pivot (PF-FM-PIVOT)
- Patch Fitting Adjustable Pivot (PF-ADJ-PIVOT)



ROCKWOOD 6280 Floor Closer

Ideal for larger, heavier doors where reliability and durability are required. Whether used offset or center hung, the 6280 concealed floor closer offers a minimal appearance that can fit the needs of a variety of openings.

Product Features

- Heavy-duty cast iron closer
- Adjustable spring size 3-6
- Double acting
- Center or offset hung
- Non-handed
- Separate closing, latching, and backcheck/DA valves
- Closer adjustable within cement case
- All weather fluid
- Variable hold open position (80-175 degrees)
- Variable delayed action
- Variable length 3° offset or straight spindles
- Stainless steel cover plate
- Walking beam or 3/4" offset top pivot

Specifications

Closer Body with Cement Case: FC-6280

Maximum Door Weight: 660 lbs.

Maximum Door Width:

- Interior 54"
- Exterior 48"

Base Material:

- Cast iron closer body
- Stainless steel cover plate
- Zinc plated steel cement case

Finishes: US32/629, US32D/630, 314E, BSP, WSP, Stock Powder Coats

Patents, Approvals, Listings:

- Meets ANSI standard A156.4, Grade 1
- UL/cUL listed for use on fire rated doors

Pivot Options

- Walking Beam Pivot (PV-WALKBEAM)



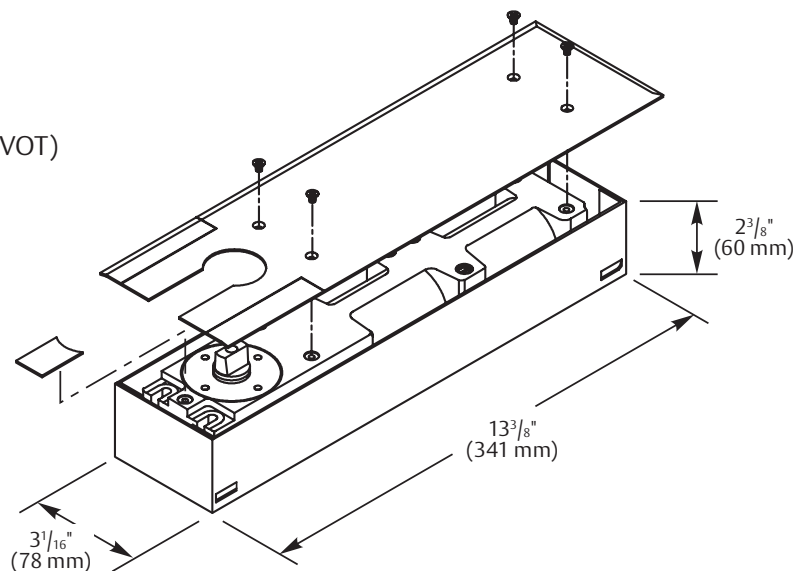
- Patch Fitting Surface Mounted Pivot (PF-SM-PIVOT)



- 3/4" Offset Top Pivot (PV-180)



Optional 3/4" offset arm



ROCKWOOD 6275 Floor Closer

The perfect solution for smaller doors where the durability and minimal aesthetic of a concealed floor closer are necessary. Highly adaptable and able to be offset or center hung, the 6275 can fit the needs of nearly any light opening.

Product Features

- Heavy-duty cast iron closer
- Adjustable spring size 1-4
- Double acting
- Center or offset hung
- Non-handed
- Variable length 3° offset or straight spindles
- Separate closing and latching valves
- Closer adjustable within cement case
- All weather fluid
- Stainless steel cover plate
- Walking beam or 3/4" offset top pivot
- Hold open optional

Specifications

- Closer Body with Cement Case FC-6275:**
- 90° Hold open (FC-6275-90HO)
 - 105° Hold open (FC-6275-105HO)
 - Non-hold open (FC-6275-NHO)

Maximum Door Weight: 330 lbs.

Maximum Door Width:

- Interior 42"
- Exterior 36"

Base Material:

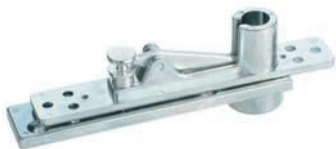
- Cast iron body
- Stainless steel cover plate
- Zinc plated steel cement case

Finishes: US32/629, US32D/630, 314E, BSP, WSP, Stock Powder Coats

Patents, Approvals, Listings: ADA compliant

Pivot Options

- Walking Beam Pivot (PV-WALKBEAM)



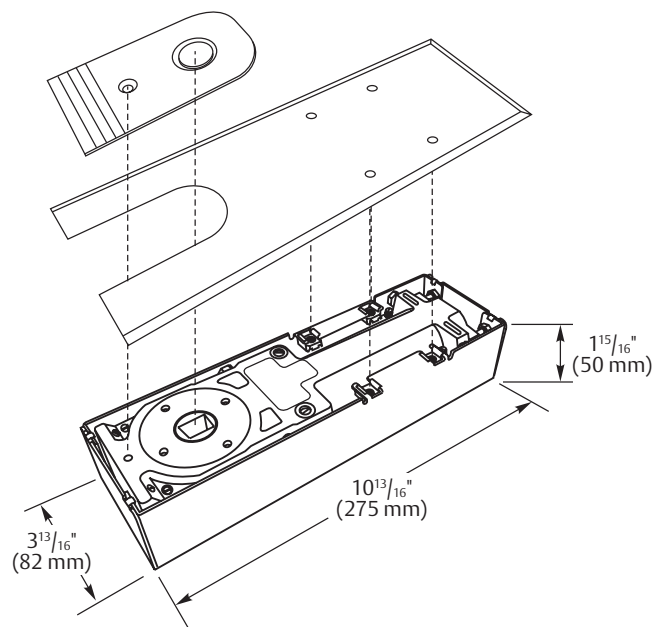
- Patch Fitting Surface Mounted Pivot (PF-SM-PIVOT)



- 3/4" Offset Top Pivot (PV-180)



Optional 3/4" offset arm



NORTON RIXSON 28 Single-Acting Center Hung Floor Closer

Floor closers provide the best mechanical means to support and control a door with a concealed aesthetic that is also vandal resistant. The 28 floor closer's heavy-duty construction, including one-piece spindles, offers additional support to better handle heavier and/or high-traffic doors.

Product Features

- Center hung
- Single acting, handed
- Separate and independent closing, latching, and backcheck valves
- Built-in positive dead stop
- Hold open options available
- Available with floor plate or threshold installation (floor plate shown)
- Extended spindles available in 1/2" increments up to 2" longer than standard
- Includes FC-28ARM and Floor Plate

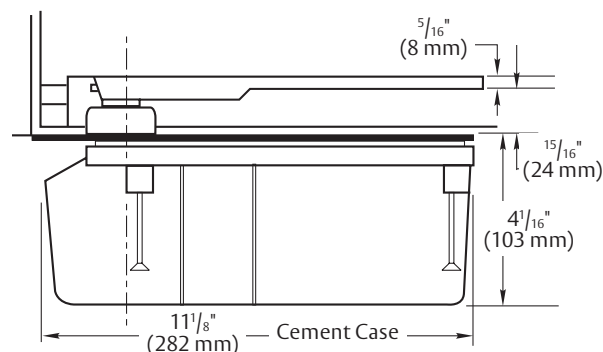
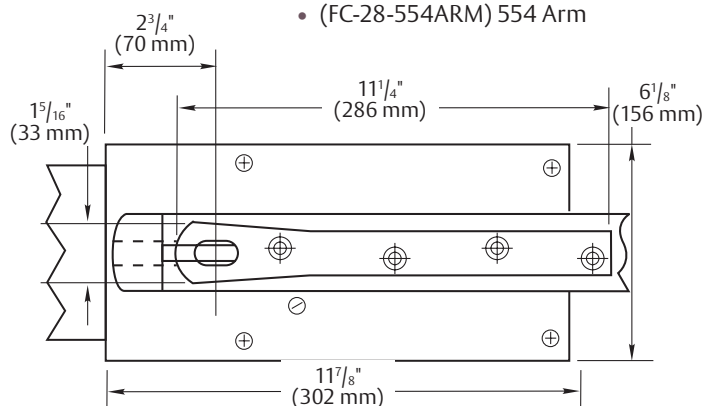


Specifications

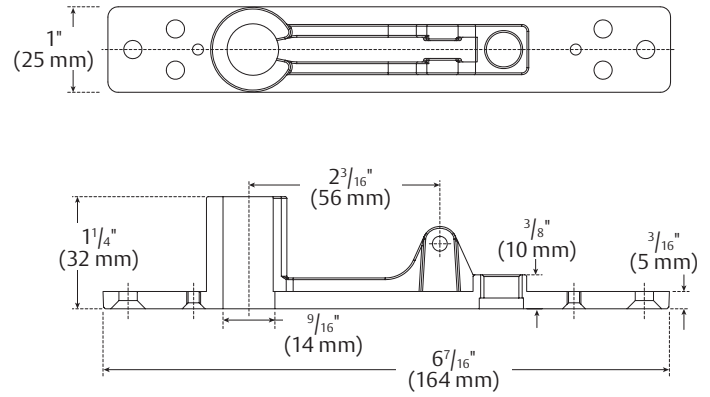
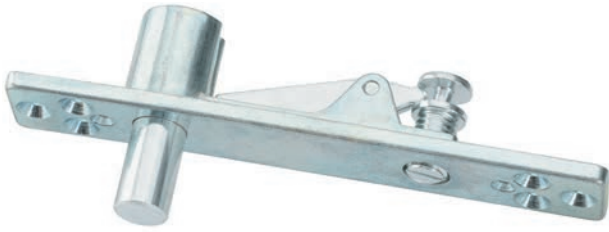
Closer:	FC-28 FC-PH28
Maximum Door Weight:	350 lbs.
Maximum Door Size:	4'0" x 8'6"
Base Material:	Cyclocac, rustproof cement case
Finishes:	US26D/626, 314E, BSP, WSP, Stock Powder Coats
Patents, Approvals, Listings:	Meets ANSI/BHMA A156.4, Grade 1 requirements
Options:	Selective hold open: <ul style="list-style-type: none"> • (90S) 90° Hold open • (105S) 105° Hold open • (PH) Factory set - 5 lbs. (Interior); 8-1/2 lbs. optional (Exterior) (available upon request) • (FC-28-554ARM) 554 Arm

Arm Options

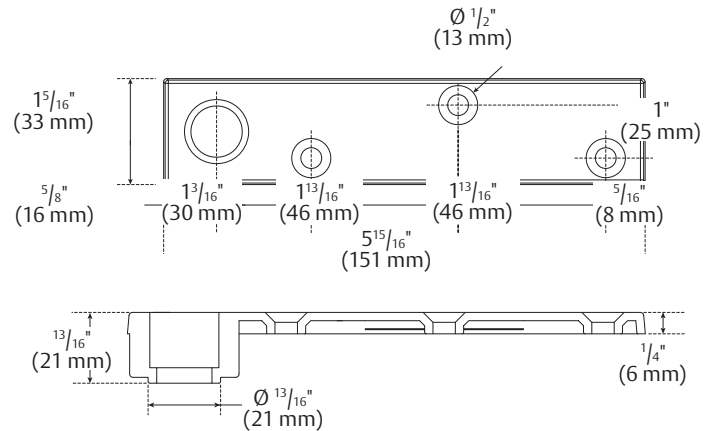
- 554 Arm (FC-28-554ARM)



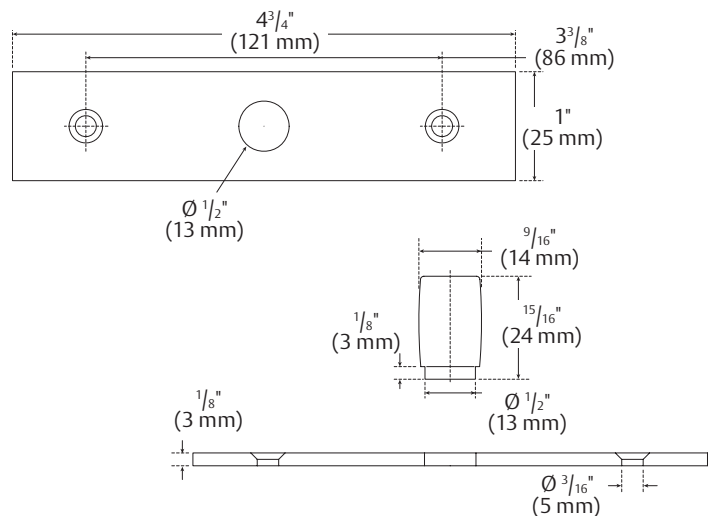
Rockwood Walking Beam Pivot - Header (PV-WALKBEAM)



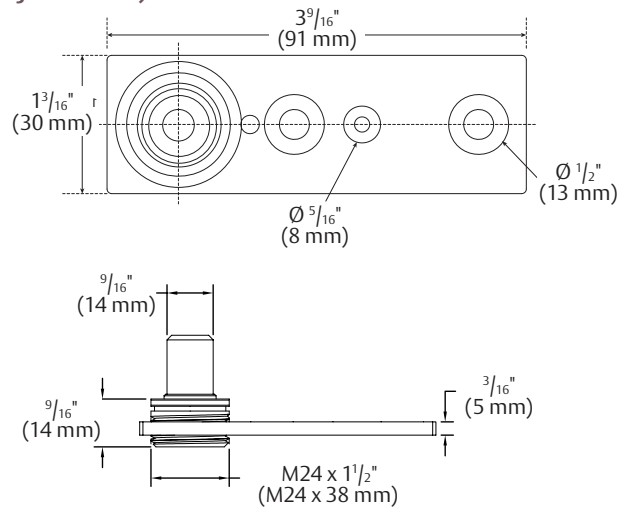
Rockwood Walking Beam Pivot - Door Rail (PV-WALKBEAM)



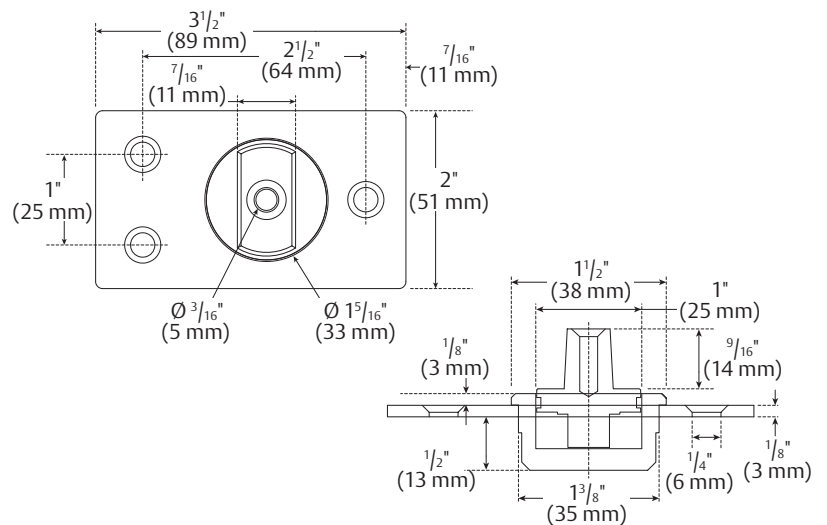
Rockwood Surface Mount Pivot (PF-SM-PIVOT)



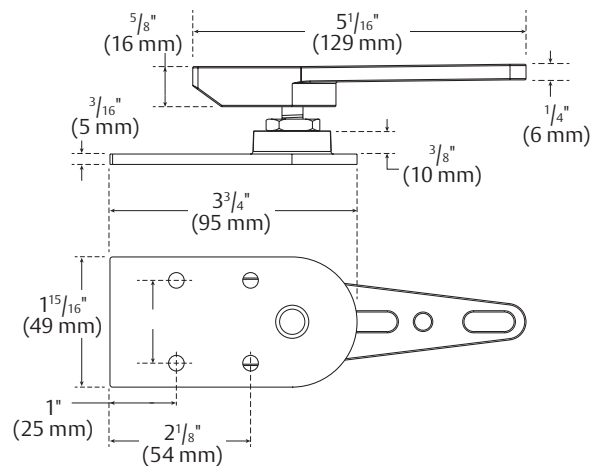
Rockwood Adjustable Pivot (PF-ADJ-PIVOT)



Rockwood Floor Mount Pivot (PF-FM-PIVOT)

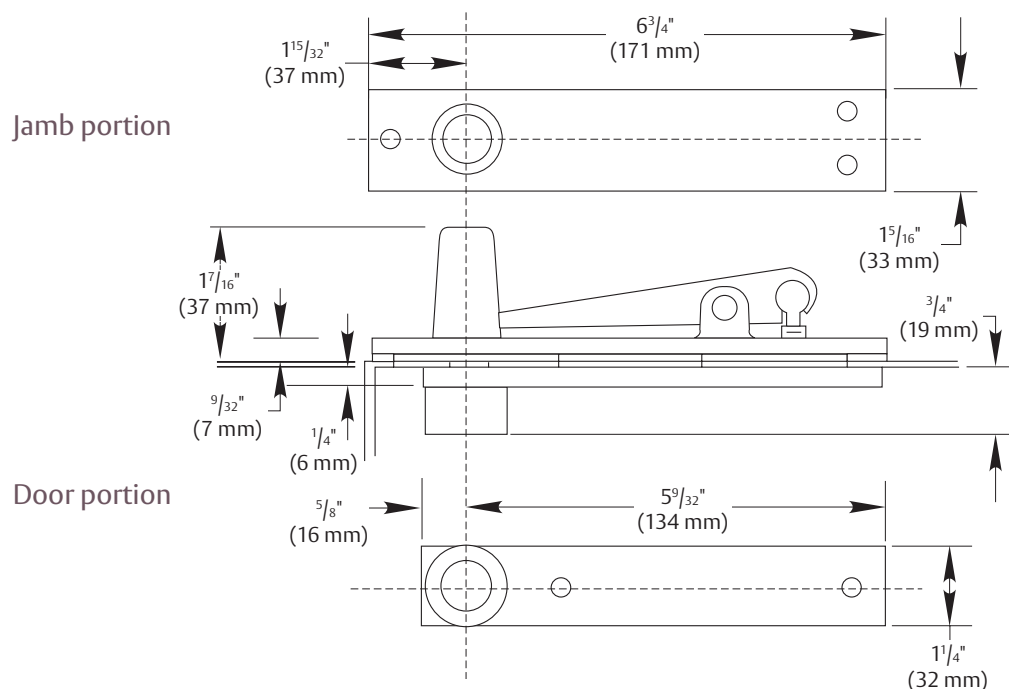


Rockwood Adjustable End Load Bottom Pivot (PV-ENDLOAD)



NORTON RIXSON 340 Center Hung Top Pivot

- Standard top pivot for Models 370 and 117-3/4 pivot sets. Also used for 28, 30, 40 and 50 Series floor closers
- Walking beam-type pivot – $\frac{1}{2}$ " (13 mm) diameter pivot pin with $\frac{3}{4}$ " (19 mm) engagement
- Oil-impregnated sintered bronze bushing
- Completely concealed when door is closed
- Non-handed
- Furnished with wood and machine screws
- Available with longer than standard pivot pins. Increments are $\frac{1}{4}$ " (6 mm), $\frac{1}{2}$ " (13 mm), $\frac{3}{4}$ " (19 mm) only
- Part Number: PV-340



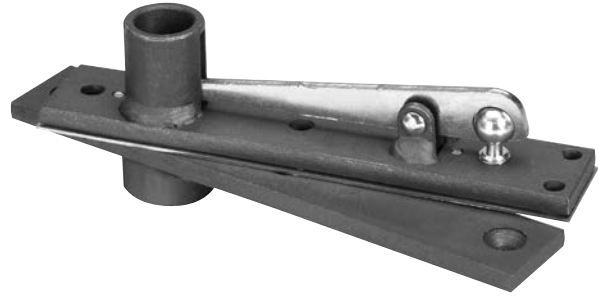
NORTON RIXSON 180 Offset Top Pivot

- Standard top pivot for most offset pivot sets and floor closers
- $\frac{3}{4}$ " (19 mm) offset (measured from centerline of pivot to face of door)
- Full Mortise
- Non-handed
- Finishes: US32D/630
- Part Number: PV-180



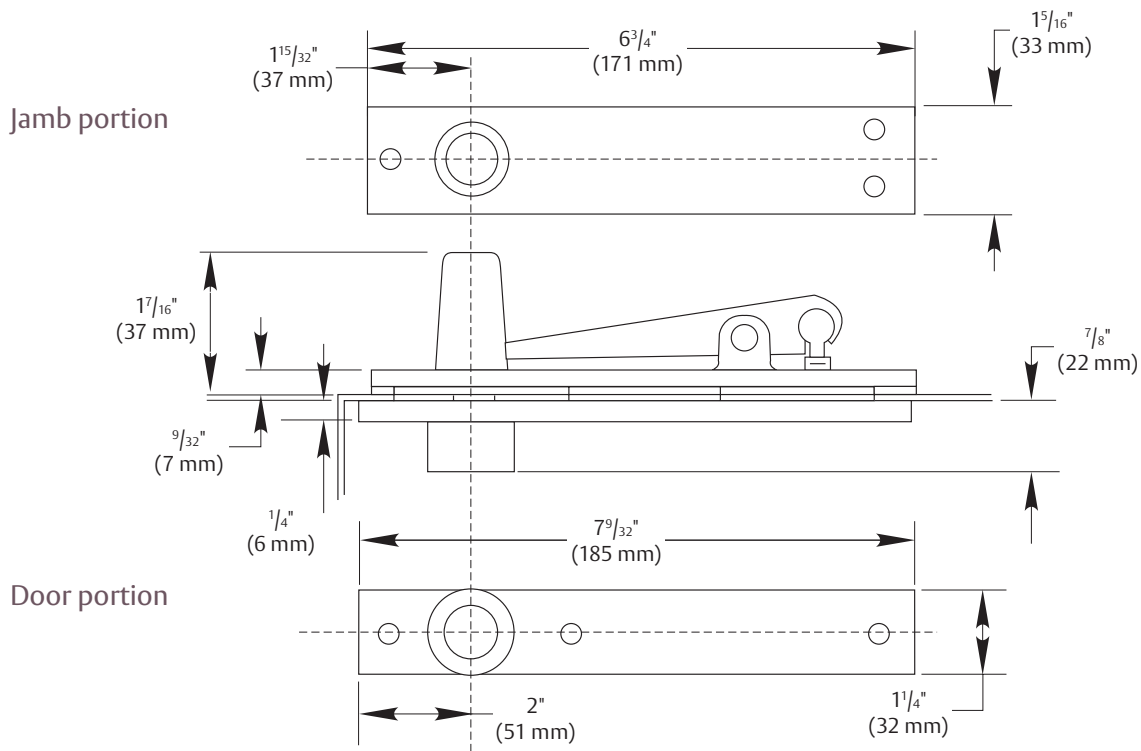
NORTON RIXSON H340 Heavy-Duty Center Hung Top Pivot

- Standard top pivot for Model H117- $\frac{3}{4}$ pivot set. Also used for H28 and H40 Series floor closers
- Can be used with any floor closer or pivot set with pivot point $2\frac{3}{4}$ " (70 mm), or greater, from edge of the door
- Walking beam-type pivot – $\frac{11}{16}$ " (17 mm) diameter pivot pin with $\frac{3}{4}$ " (19 mm) engagement
- Heavy-duty needle bearing
- Non-handed
- Completely concealed when door is closed
- Furnished with wood and machine screws
- Part number: PV-H340



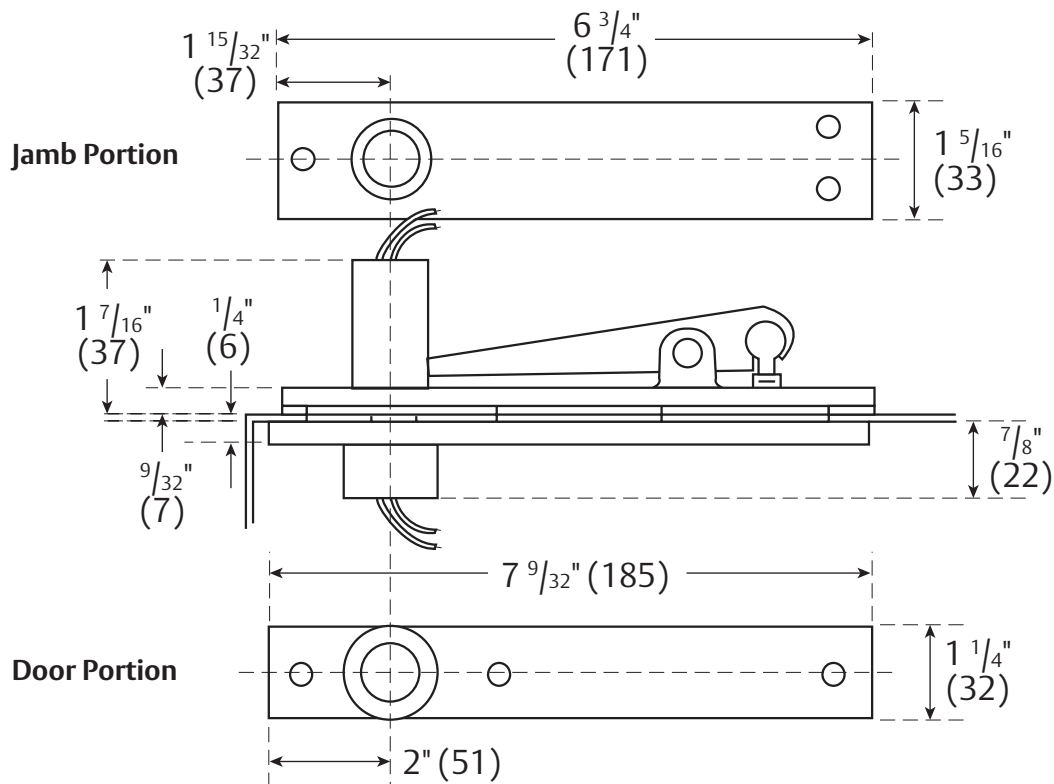
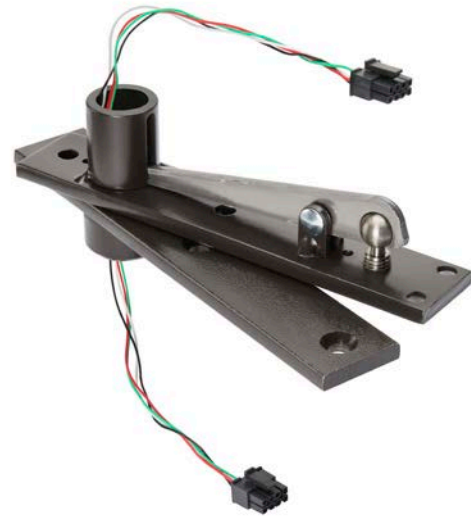
Optional:

Available with longer than standard pivot pins.
 Increments are $\frac{1}{4}$ " (6 mm),
 $\frac{1}{2}$ " (13 mm), $\frac{3}{4}$ " (19 mm) only



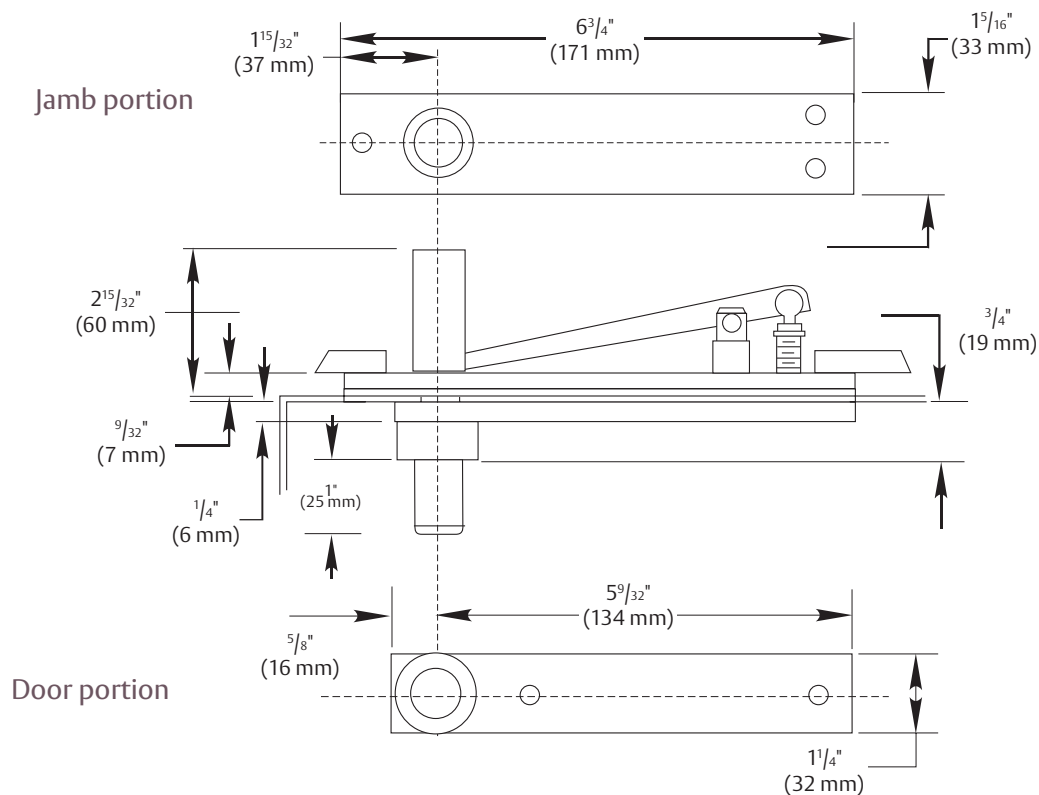
NORTON RIXSON EH340 Electrified Center Hung Top Pivot

- Center-hung top pivot for power transfer
- Walking beam type pivot - 11/16" (17mm) diameter pivot pin with 3/4" (19mm) engagement
- Recommended for use with PDU8000 Panic Device Request for Exit (REX) option
- Non-handed
- Heavy-duty needle bearing
- Completely concealed when door is closed
- No wires provided
- Mortised into top header
- Part number: PV-EH340



NORTON RIXSON 345 Center Hung Top Pivot

- Optional top pivot
- Ideal for locations where there is a fear of dramatic building settling or for doors over 8'6" (2491 mm) in height
- Long pivot pin engages in top of door $1\frac{3}{4}$ " (44 mm)
- Can be used with any center hung bottom pivot or floor closer whose pivot point is 2" (50 mm), or greater, from the edge of the door.
- Walking beam-type pivot $\frac{1}{2}$ " (13 mm) diameter pivot pin
- Oil-impregnated sintered bronze bushing
- Non-handed
- Completely concealed when door is closed
- For taller doors
- Furnished with wood and machine screws
- Part Number: PV-345





Panic Devices

Combine safety and elegance with ASSA ABLOY Glass Panic Devices. The engraved push area and boundary grooves make exit doors stand out in a crowd. The panic device has keyed and non-keyed functions, six standard exterior pull options, and a selection of finishes, providing customizable design. Whether choosing a manual or electric strike, this line provides beauty, security, and peace of mind.



ROCKWOOD Panic Devices

Sold Through

 Authorized Channel Partner
ASSA ABLOY



Product Features

- Top latching panic device with easy align security latch
- Engraved latch lines ensure proper engagement with strike
- Post mount design matches Rockwood architectural pulls
- Keyed and non-keyed options
- Six standard exterior pull options
- Optional bent end return (panic side only)
- Optional Request for Exit (REX) functionality - P style openings only, not compatible with 2-3/4" rail or ADA panic models
- Optional dogging feature, can be added or removed in field
- Engraved push area and boundary grooves allow for enhanced visibility and tactility
- Less than 5 lbs. of force to activate device
- Dummy version offered for matching aesthetics
- Three-year limited warranty
- Two-piece panic bar and mating pulls available, allows for expedited air shipping and easier storage/transport

Specifications

Panic Device:	PDU8000
Functions:	<ul style="list-style-type: none"> • Keyed • Passage (dogging standard)
Glass Thickness:	<ul style="list-style-type: none"> • 1/2" to 3/4" thick standard - Non-standard thickness, specify
Dimensions:	Grip diameter: 1 1/4" Projection: <ul style="list-style-type: none"> • 2 5/8" Panic side • 3 1/4" Mating pull side
Materials:	Stainless steel
Applications Types:	<ul style="list-style-type: none"> • Glass mounted • Rail mounted
Handing:	<ul style="list-style-type: none"> • Right-hand reverse (swing 3) • Left-hand reverse (swing 4)

Patents, Approvals and Listings:	<ul style="list-style-type: none"> • ANSI/BHMA A156.3-2025, Grade 1 Certified (32 and 32D finishes only) • ANSI/BHMA A156.44-2021, Grade 1 • UL 305 (2017) • Meets California Building Code (2019) Sec. 11B-309.4 • CAN/ULC-S132 (2016) • ANSI/BHMA A156.41 (2020) • IBC Sec. 1010.1.9.6 (2021) • ANSI/BHMA A156.3 1000lb. Security Test (2020)
---	---

Finishes:	US32/629, US32D/630, US32DMS*, US32316, US32D316, US32D (device) / US32 (push area), 314E, 4E, BSP, WSP, Stock Powder Coats
------------------	---

*MS - MicroShield® Antimicrobial Coating

Engraved Push Area Finish Options*

Split finish – 32D device; 32 push area



32D device with White Gloss Paint



32D device with Black Gloss Paint (standard if no infill finish specified)



*Infill not available on polished stainless steel devices.

BSP device, BSP push area no infill (standard if no infill color is specified)



BSP device with White Gloss Paint



BSP device with Black Gloss Paint



*For custom colors, contact factory.

Infill is available on all powder coat finishes: 314E, BSP, WSP, Stock and Custom Powder Coats. US32 split finish is also available on all powder coat models.

Cylinder Options

Code 01	Mortise Cylinder
Code 02	7-pin SFIC Housing w/Construction Core
Code 03	Special Order (keyed alike)
Code 04	Customer Supplied Cylinder
Code 05	Dummy Cylinder Housing

Code 06	Non-Keyed Function (blank escutcheon plate provided)
Code 09	Keyed Construction Core for 7-pin SFIC Cylinder
Code 10	Customer Swapping Cylinder in the Field

Bent End Return Option

Our optional bent end return (BE) is designed to prevent clothing and other items from catching on the device during egress.

**Panic side only*



DDU8000 Dummy Device

Maintaining design consistency in a space, the new DDU8000 dummy device suites with the PDU8000 and PDU8500 panic device and Rockwood LP3301 locking door pull.

Specifications

Glass Thickness	3/8" to 13/16"
Dimensions	<ul style="list-style-type: none"> • Grip diameter: 1 1/4" • Projection: 3"
Materials	Stainless steel
Applications Types	<ul style="list-style-type: none"> • Glass mounted • Rail mounted
Handing	<ul style="list-style-type: none"> • Right-hand reverse (swing 3) • Left-hand reverse (swing 4) • Right hand (swing 5) • Left hand (swing 6)
Finishes	US32D/630, US32/629, US32DMS*, US32MS*, US32316, US32D316, US32D (device)/US32 (push area) 314E, BSP, WSP, Stock Powder Coats <i>*MS - MicroShield® Antimicrobial Coating</i>
Options	Custom engraving options available including push area with boundary grooves. Two-piece push bar and mating pulls available, allowing for expedited air shipping and easier device storage/transport



PDU8000/DDU8000 Exterior Pull Options

No Mating Pull



Full-Height L-Shaped Pull (-1)



Half-Height L-Shaped Pull (-2)



Full-Height Straight Pull (-3)



Half-Height Straight Pull (-4)



Short Centered Straight Pull (-5)



Horizontal Straight Pull (-6)



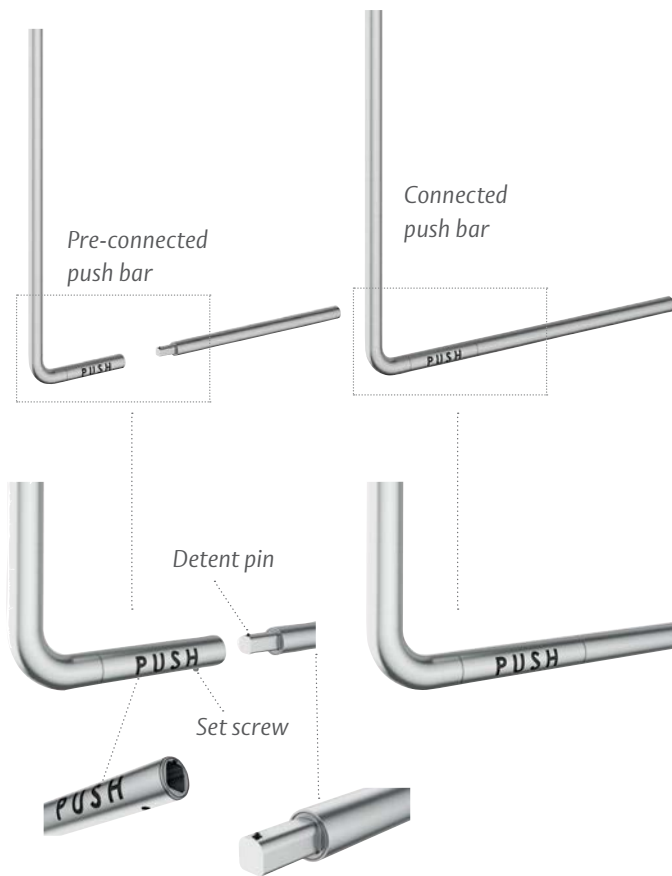
Two-Piece Panic Device

Our PDU8000 panic device and DDU8000 dummy device push bar, and select mating pulls, are now available in two-piece configurations, allowing for:

- Expedited shipping via air freight
- Easier storage, stacking in facility or warehouse
- Easier transport to, from, and around job site

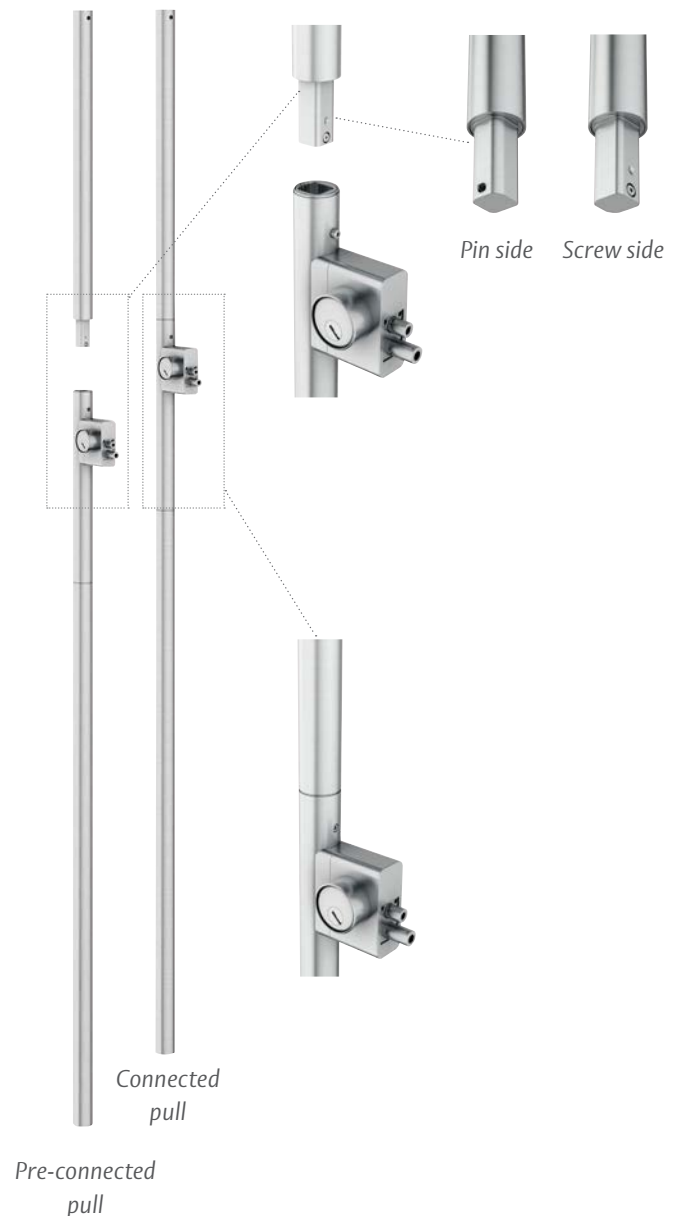
This patent-pending solution carries the same certifications as our standard panic device, and is easy to assemble in the field. To connect the two pieces, simply insert one tube into the other - the detent pin will retract and snap into place. Please note that once the detent pin releases the push bar/mating pull cannot be disassembled. Lastly, tighten the included set screw to further secure the device.

Two-Piece Push Bar



Two-Piece Exterior Pull (-3)*

*Only -1, -2, and -3 exterior pulls available in two-piece configuration. All other exterior pull options will ship as standard one-piece configuration.



Panic Device Accessories

Rockwood Security Latch Adapter (SL100)

- Converts roller latch on CRL (Blumcraft) PA100 devices to ASSA ABLOY's flat security latch
- Provides additional engagement with strike, increasing security
- Adjustable stops on strike include set screws, minimizing unintended movement
- UL 305 listed
- Manual strike included

Strike Kits

- Strike, Adapter Plate, and Cover included

Manual Strikes

Single Manual (MSK-SGL)



Double Manual (MSK-DBL)



HES Electric Strikes

HES Strikes are the most advanced electric strikes available on the market for latchbolt locks. These series set a new standard in the industry by offering dynamic integrated adjustability and field configurable options.

Product Features

- Tamper resistant
- Stainless steel construction
- ESK-9200 and ESK-1600 models are non-handed, ESK-9100 handing required
- Field selectable fail safe/fail secure
- ESK-9100 and ESK-9200 are surface mounted

- Static Strength:** • 1,500 lbs
Dynamic Strength: • 70 ft-lbs
Endurance Rating: • 1,000,000 cycles

- Electrical:** ESK-1600
 • Dual voltage 12/24 VDC/VAC; 240 mA at 12 VDC/120 mA at 24 VDC
 ESK-9100
 • Adaptable voltage sensing 12/24 VDC/VAC; 240 mA at 12 VDC, 120 mA at 24 VDC
 ESK-9200
 • Adaptable voltage sensing 12/24 VDC/VAC; 240 mA at 12 VDC, 120 mA at 24 VDC
- Finishes:** US32/629, US32D/630, 314E, 4E, BSP, WSP, Stock Powder Coats
Options: LM for door monitoring (ESK-1600 models only)

Single Electric Strike (ESK-1600-SGL)



Double Electric Strike (ESK-1600-DBL)



Single Electric Strike (ESK-9100)



Double Electric Strike (ESK-9200)



Folger Adam Electric Strikes

The Folger Adam 310-1 (3/4) is an industrial grade electric strike designed specifically for use in glass door applications with addition of a strike plate. The stainless steel construction makes it ideal for strength and corrosion resistance.

Product Features

- Tamper-resistant, heavy duty stainless steel construction
- Fail Safe/Fail Secure
- ¾" keeper depth
- Non-handed
- Plug-in connector
- Five-year limited warranty

Specifications

- Static Strength:** • 1,500 lbs
- Dynamic Strength:** • 70 ft-lbs
- Endurance Rating:** • 1,000,000 cycles
- Electrical:**
 - Dual Voltage 12/24 VDC (Continuous Duty)
 - 510 mA at 12 VDC
 - 250 mA at 24 VDC
- Finishes:** US32/629, US32D/630, 314E, BSP, WSP, Stock Powder Coats
- Options:** Latchbolt Monitoring (LCBMA): Sends signal to access control system when latchbolt is disengaged

Single Electric Strike (ESK-SGL)



Double Electric Strike (ESK-DBL)



Spare Parts Kit

Includes most commonly misplaced device fasteners, allowing for convenient field maintenance



Electric Strike Accessories

HES Plug-in Bridge Rectifier

- Converts AC to unfiltered DC
- Rated 35 V, 1 Amp
- Includes MOV and self-resettable fuse
- Part Number: AC-RECTIFIER



HES SMART Pac® III

- In-line power controller
- Continuous duty; reduces initial voltage by 25% after a fixed period of time
- Provides cooler, more efficient operation of strike
- Accepts wide range of input voltage: 12–32 volts AC or DC
- Built-in bridge rectifier
- Output 12 VDC or 24 VDC, depending on input voltage
- Supports fail secure or fail safe configured electric strikes
- Self-resetting fuse protects strike against over-current condition
- Diagnostics for voltage detection
- Part Number: ES-SMARTPACIII



LED Status Indicator Table

	LED COLOR	INPUT CONDITION	OUTPUT CONDITION	CORRECTIVE ACTION
1	Steady Green	10.5 – 21 V*	15 VDC max stepping to 9 VDC	None required
2	Steady Yellow	21 – 33 V*	30 VDC max stepping to 18 VDC	None required
3	Off or Blinking Green	Too low (min. 10.5 V)	~0	Increase voltage
4	Blinking Yellow	Too high (> 33 V)	~0	Decrease voltage
5	Blinking 2 Yellow/2 Green	Any	Wrong slide switch position	Change slide switch position
6	Blinking Yellow/Green	Any	Downstream short	Find and remove short

* When installed with an HES SMART Pac® III, HES, Folger Adam, and Securitron Electric Strikes are upgraded to the SecuriCare no-fault 10-year warranty.

Sliding Door Hardware

Rockwood presents an aesthetically-pleasing twist on a classic idea that allows you to transform a simple doorway into a stylish focal point, while recovering the in-swing and out-swing space required for hinged doors.



ROCKWOOD Box Track Sliding System

Enhance the layout of your interior space with the box track sliding system (SGS). Sliding effortlessly across the door opening, this wall-or ceiling-mounted kit has an optional soft close device that gently closes the door, extending the life of the hardware and keeping noise at a minimum. Complete the look with compatible u-channels, and Rockwood decorative pulls in matching finishes.

Features:

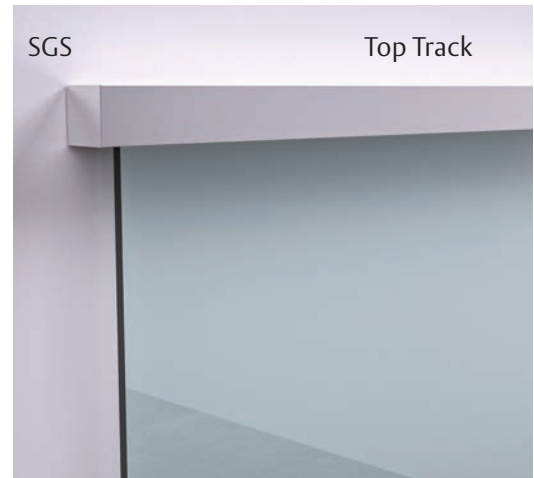
- Glass provides a sleek and elegant aesthetic as well as sound concealment
- For interior commercial and multi-family applications
- Ideal for office spaces
- Versatile top hung mounting system
- System allows door to slide effortlessly
- Concealed roller hanger
- Optional soft close allows door to ease into opening and closed positions
- Easily applied glass clamps require no glass fabrication
- Sidelite option available

Specifications:

Weight Limits:	200 lbs. with soft close, 330 lbs. without soft close
Door Width:	Min. = 24", Max = 60"
Door Thickness:	For glass doors $\frac{5}{16}$ " to $\frac{9}{16}$ " thick **
Base Material:	Aluminum
Finishes:	US28/628, US32D/630, BSP, WSP, Stock Powder Coats
System Components:	<ul style="list-style-type: none"> • 158" track with ends caps • Roller clamps per panel (2) • Track stops (2) • Door bottom guide (1) • 158" two-piece u-channel* • Push-in gasket*
Mounting:	Wall or ceiling

*Included only with sidelite option

**Optional sidelite glass is 1/2" thick



SGS Compatible Parts

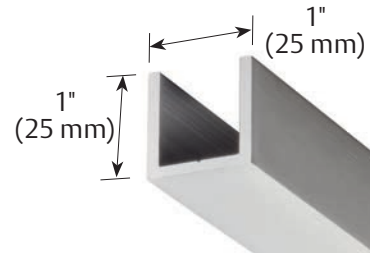
Bottom Strikes

S70



Wet/Dry U-Channels

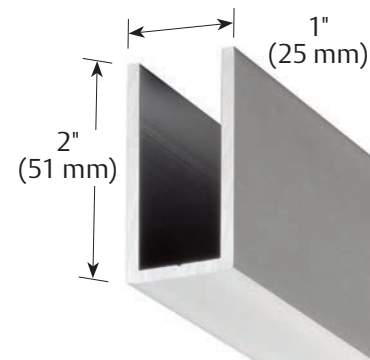
UWD-1000x1000



Dust Proof Strike

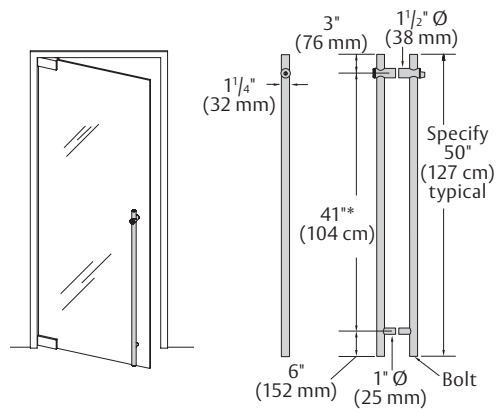
Face Plate: 1³/₈" x 2³/₈" (35 mm x 73 mm)

UWD-2000x1000



Rockwood Locking Door Pull

DBD - Dead Bolt Down, Half-Height



ROCKWOOD Stainless Steel Sliding Track Hardware Systems

The stainless steel sliding track hardware line offers multiple weight options, compatibility with decorative door pulls, and custom track lengths to fit most application. This line is perfect when flexibility is a must in a sliding track hardware system.

Features

- Nylon-coated wheels provide smooth, quiet operation
- Hangers contain anti-rise pin preventing door lifting from track
- For glass doors up to 240 lbs.
- Five styles of door hangers that suite with Rockwood door pulls

Specifications

Maximum Door Weight:	198 lbs. to 240 lbs. depending upon hanger style
Door Thickness:	For glass doors $\frac{3}{8}$ " to $\frac{1}{2}$ " thick
Base Material:	<ul style="list-style-type: none"> • Stainless steel track and hangers • Nylon coated rollers
Finishes:	US32/629, US32D/630, 314E, 4E, BSP, WSP, Stock Powder Coats
Patents, Approvals, Listings:	Meets performance requirements of ANSI/BHMA 156.14, Grade 1, for sliding doors by exceeding 100,000 cycles in operation
System Components:	<ul style="list-style-type: none"> • Stainless steel track with end caps • Hangers (2) • Wall brackets • Door bottom guide (1) • Track stops (2) • Mounting and installation hardware
Mounting:	Wall or transom

For custom track lengths, contact ASSA ABLOY Glass Solutions.

Options



- STS-G60 Door Weight
- Up to 198 lbs.
 - Hanger Height: $3\frac{5}{8}$ "



- STS-G70 Door Weight
- Up to 240 lbs.
 - Hanger Height: $3\frac{11}{16}$ "

Door Pulls

Comfortable grip, soft leather, and sleek form. A few words to describe our striking Rockwood door pulls. With endless design options to choose from, our pulls will add contemporary beauty to any door opening.



ROCKWOOD Decorative Door Pulls

Product Features

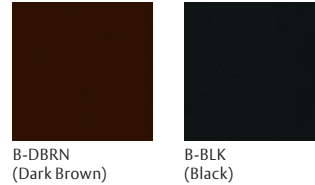
- Solid stainless steel pulls
- Made with high quality, choice materials including leather and Santoprene™
- Heavy duty mounting features hex drive for positive tightening and oversized fasteners for superior strength
- Custom leather colors available on special order
- Suites with door hardware from other ASSA ABLOY Group brands
- Full line of Rockwood door pulls available (see Rockwood Architectural Pull catalog)

Specifications

Projection:	3"
Grip Diameter:	Round 1 1/4" Square 3/4" - 1 1/2"
Over Length:	Up to 96" available
Mounting Hardware Options:	Back-to-back, heavy duty (BTBHD) Decorative thru bolt, heavy duty (DTBHD)
Door Thickness:	1/4" to 1"
Base Material:	Stainless steel
Finishes:	US32/629, US32D/630, US28/628, 314E, BSP, WSP, Stock Powder Coats

Leather Options:

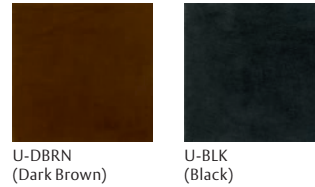
English bridle leather



Hands-Free Option



Upholstery leather



Part No.	Description	Finishes	Mounting Hardware Options	Options
RM2110	MezzoTek Stepped Post	US32/629, US32D/630, 314E, BSP, WSP, Stock PC	BTBHD - Back to Back Heavy Duty DTBHD - Decorative Thru Bolt Heavy Duty	
RM3301	MegaTek Post Mount	US32/629, US32D/630, US28/628, 314, 314E, BSP, WSP, Stock PC		Hands-Free
RM3401	NeoMax Post Mount GripZone	US32/629		
RM6061	English Bridle Leather Surface Wrapped	US32/629, US32D/630, 314E, BSP, WSP, Stock PC		Specify Leather Color
RM6310	English Bridle or Upholstery Leather Flush Wrapped			

ROCKWOOD Decorative Door Pull Models



RM2110



RM3301



RM3401



RM6061



RM6310

ROCKWOOD Door Pulls

Product Features

- Solid stainless steel inserts brazed into ends provide solid surface area for mounting systems
- Lighter weight tubular pulls reduce environmental impact
- Heavy duty mounting features hex drive for positive tightening and oversized fasteners for superior strength

Specifications

Pull Bar Projection:	3 ¹ / ₂ " stainless steel 3" aluminum
Push Bar Projection:	2 ³ / ₄ "
Grip Diameter:	1"
Door Thickness:	1/4" to 1"
Base Material:	Stainless steel, aluminum
Finishes:	US32/629, US32D/630, US28/628, 314E, BSP, WSP, Stock Powder Coats



Part Numbers

Part No.	Description	Center-to-Center	Overall Length	Mounting Hardware Options
111	Straight Door Pulls	10"	11"	<ul style="list-style-type: none"> • BTB - Back-to-Back • HDBTB - Heavy Duty Back-to-Back • DTB - Decorative Thru Bolt
112	<i>Note: Solid door pull. For Tubular, reference "T" in front of part number.</i>	12"	13"	
118		18"	19"	
11147	Straight Single Bar Sets	10"	11"	<ul style="list-style-type: none"> • BTB/DTB - Back-to-Back/Decorative Thru Bolt • HDBTB/DTB - Heavy Duty Back-to-Back/Decorative Thru Bolt
11247	<i>Note: Solid door pull. For Tubular, reference "T" in front of part number.</i>	12"	13"	
11847		18"	19"	

Mechanical Locking Hardware

Good design and security go hand-in-hand with our mechanical locking options. ASSA ABLOY offers a variety of locks and dead bolts to secure your opening.



ROCKWOOD Locking Door Pulls

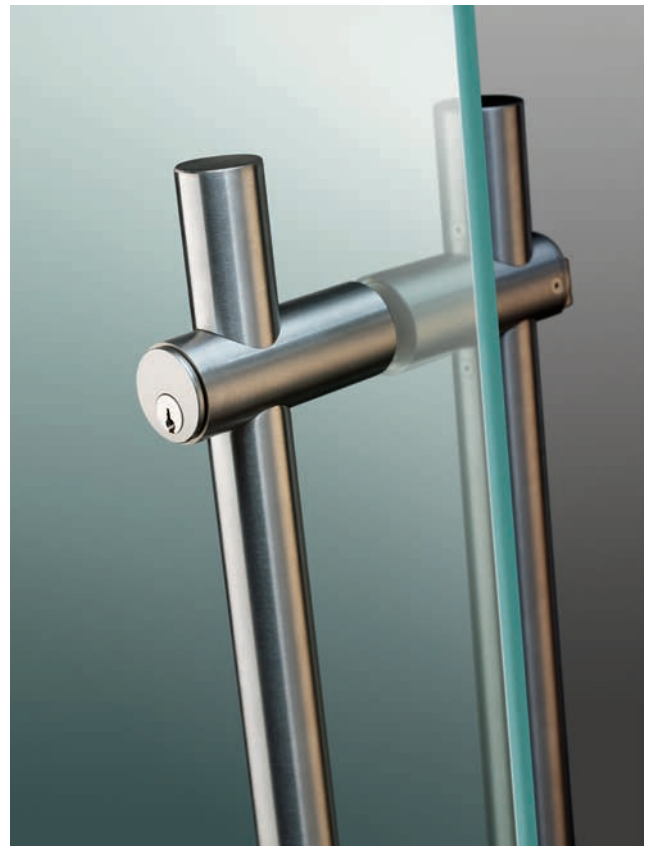
The Locking Pull System integrates a contemporary post mount style door pull with a dead bolt locking system. Engineered for smooth attachment, the locking pull is manufactured to ensure strength and durability with clean and appealing lines.

Product Features

- Key operated from outside; turn piece on inside
- Multiple locking options: up, down, or both
- Bolt location: 2" from face of door to centerline of bolt
- Bolt has $1\frac{3}{16}$ " travel with fine adjustment
- Horizontal push/pull bar option
- Dummy versions available
- Designed to suite with Rockwood architectural door pulls and accessories

Specifications

Pull Projection:	2 $\frac{5}{8}$ "
Cylinder Projection:	3 $\frac{1}{2}$ "
Grip Diameter:	1 $\frac{1}{4}$ "
Center-to-Center and Overall Length:	Specify
Mounting Hardware:	Back-to-back (BTB)
Door Thickness:	For glass doors $\frac{3}{8}$ " to $\frac{7}{8}$ " thick (alternate thicknesses available upon request)
Base Material:	Stainless steel
Finishes:	US32D/630, US32/629, 314E, BSP, WSP, Stock Powder Coats
Thumbturn Options:	<ul style="list-style-type: none"> • Large thumbturn; specify ADA • Standard thumbturn
Locking Pull Model Options:	<ul style="list-style-type: none"> • DBU (half-height, dead bolt up) • DBD (half-height, dead bolt down) • FHU (full-height, bolt up) • FHD (full-height bolt down) • PMPB (horizontal push/pull bar; available on DBU and DBD models only)

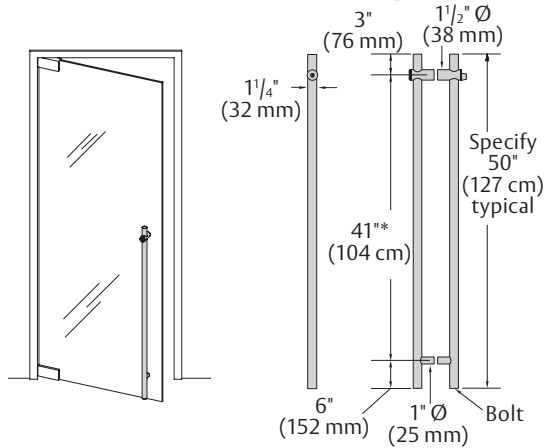


Cylinder Options

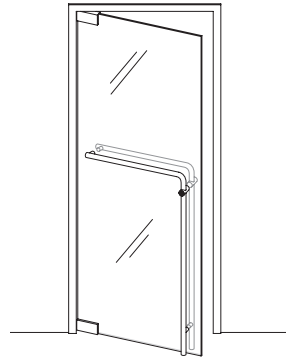
Code 01	Stock ASSA ABLOY ACCENTRA® Cylinder
Code 02	Small format interchangeable door housing, 7-pin (SFIC) (Standard)
Code 03	Small format interchangeable core housing w/plastic constructions core, 7-pin (SFIC)
Code 05	Customer supplied cylinder
Code 07	Dummy cylinder
Code 08	Privacy function - keyless locking function
Code 09	Keyed Construction Core for 7-pin SFIC Cylinder

LP3301 Locking Door Pull Options

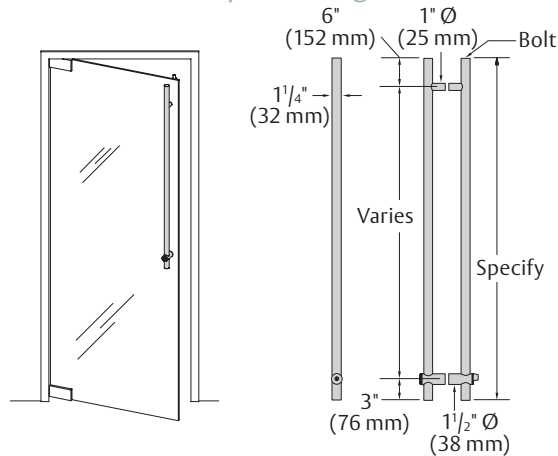
DBD - Dead Bolt Down, Half-Height



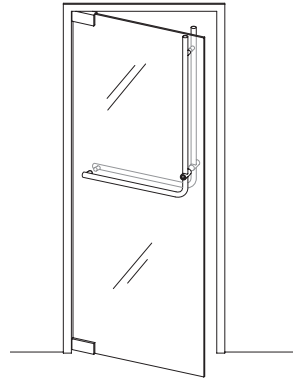
DBDPMPB - Dead Bolt Down With Horizontal Bar



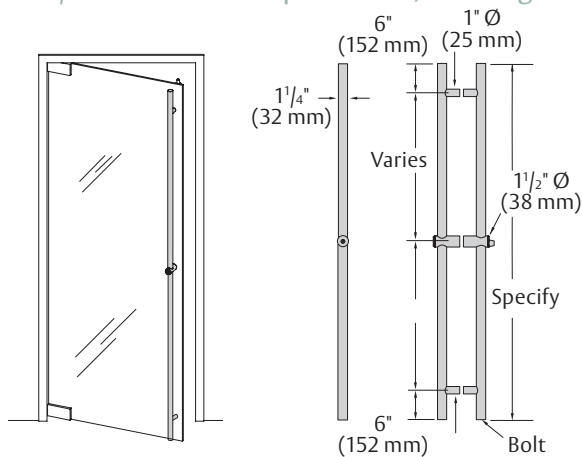
DBU - Dead Bolt Up, Half-Height



DBUPMPB - Dead Bolt Up With Horizontal Bar



FHD/FHU - Dead Bolt Up Or Down, Full-Height



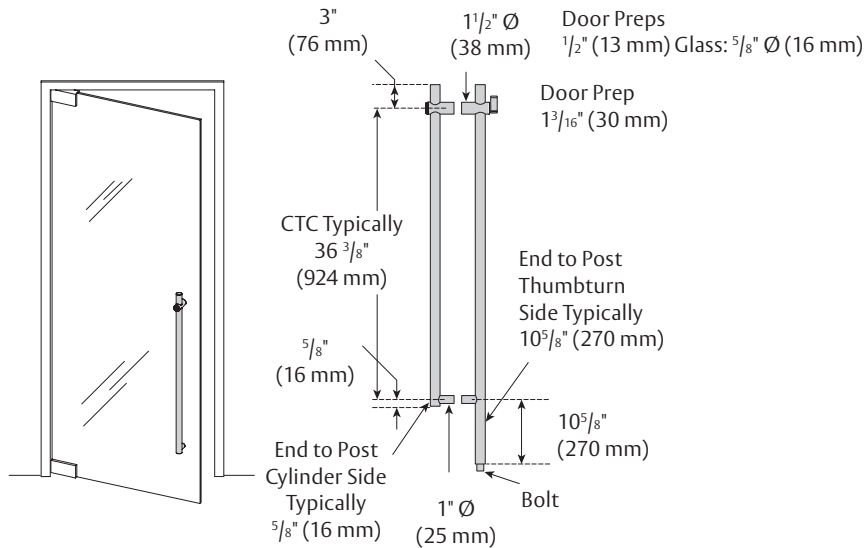
*Notes: Pulls are available in various sizes to fit job conditions. For ADA requirements, cylinder must be located 34" to 48" above finished floor. Minimum clearance from pull to finished floor is 3/8" at factory settings.

LP3305 Locking Door Pull Options

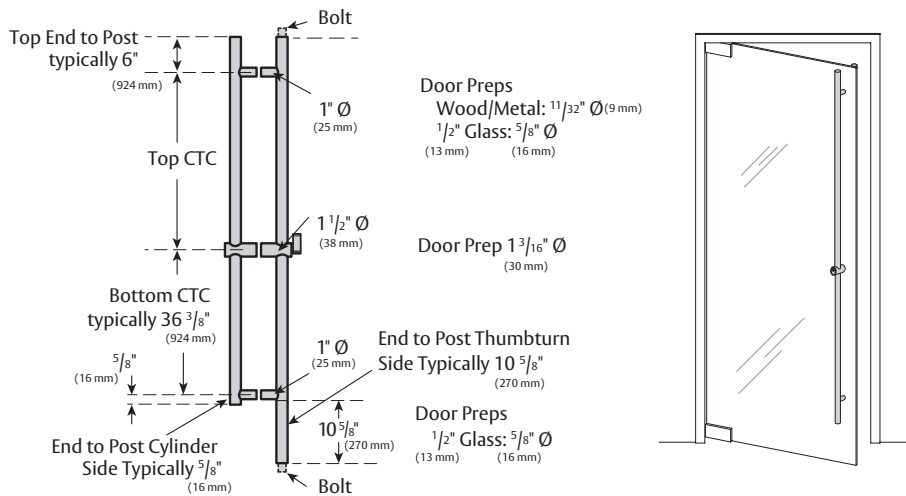
LP3305 Clearance Locking Pulls

Minimum of 10" clearance from the floor on the cylinder side to prevent interference with wheelchairs and other mobility devices

DBD - Dead Bolt Down, Clearance and Half Height Pull

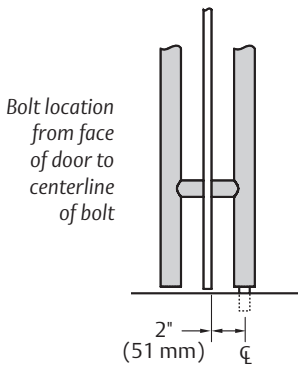


FHD/FHU/FHB – Dead Bolt Up or Down or Both, Clearance and Full-Height Pull



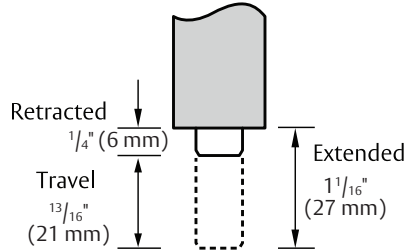
Locking Pull Application Details

Location From Door



All glass door applications include a bushing and washer to insulate the glass from the pull. Sturdy fasteners securely attach the pull to the door making for a durable, trouble free installation. Simple glass prep requires two (or three) round holes.

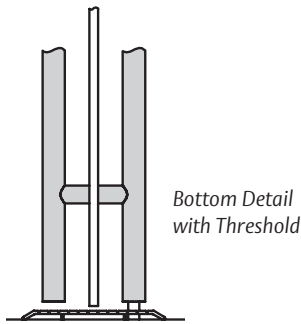
Bolt Adjustment



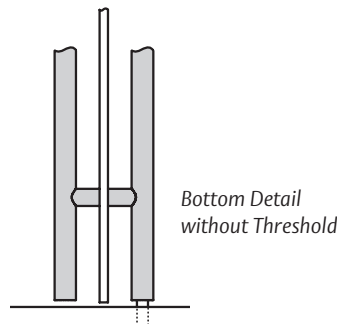
Adjusts 1/4" in and out from the shown factory settings.

Bolt Into Floor Models - Detail At Floor

- DBD, FHD, FHB



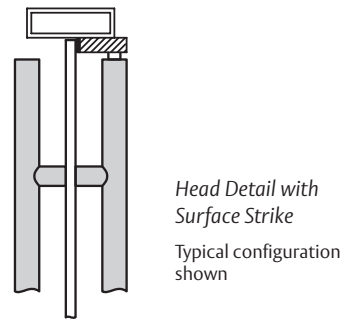
Bottom Detail with Threshold



Bottom Detail without Threshold

Bolt Into Head Models - Detail At Head

- DBU, FHU, FHB



Head Detail with Surface Strike
Typical configuration shown

Strike Options

Top Strikes

LPS01



3/4" x 1 1/2" x 3"
(19 mm x 38 mm x 76 mm)

LPS02 (rubber stop)



3/4" x 2 1/2" x 3"
(19 mm x 64 mm x 76 mm)

LPS03



1/20" x 1 1/8" x 2 1/4"
(1.2 mm x 29 mm x 57 mm)

Bottom Strikes

570



Dust Proof Strike
Face Plate: 1 3/8" x 2 7/8" (35 mm x 73 mm)

LPS04



1 1/4" dia. x 4 1/2"
(32 mm dia. x 114 mm)

LPS05



1 1/4" sq. x 4 1/2"
(32 mm sq. x 114 mm)

LPS06



2" dia.
(50.8 mm)

LPS07



2 1/2" dia.
(63.5 mm)

LPS12



3/4" x 3"
(19 mm x 76 mm)
Adjustable stops
accommodating varying
thicknesses and door types

FL3301 Flat Latch Locking Pulls

- Patented flat latch and dogging feature options

Specifications

- Flat latch location: $2\frac{1}{8}$ " from face of door to centerline of latch
- Provides additional engagement with strike
- Glass: $\frac{3}{8}$ " - $\frac{7}{8}$ " thick, Outswing Only
- Dogging Standard
- ADA Thumbturn



Device Dogged

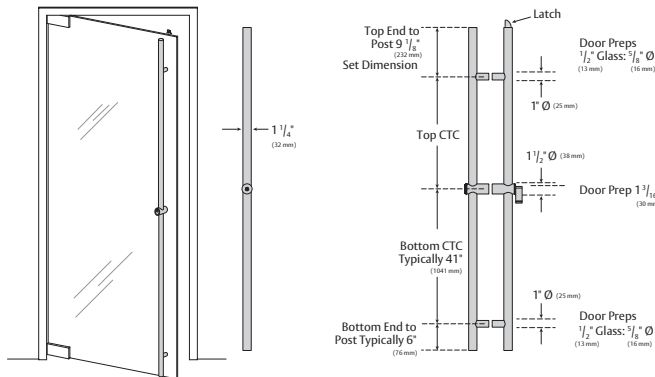


Device Undogged



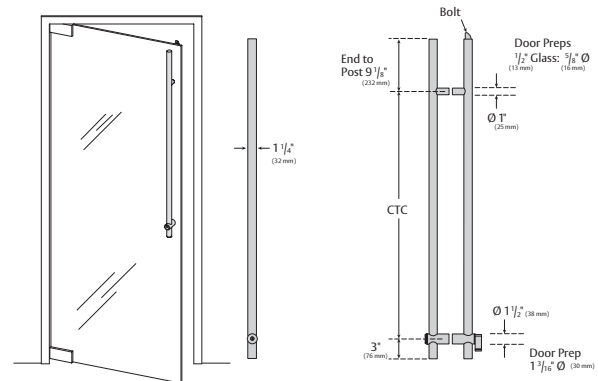
Flat Latch Locking Pull - Full Height Pull - Latch Up

FHU (Full Height Up) - Bolts Up



Flat Latch Locking Pull - Half Height Pull - Latch Up

DBU (Dead Bolt Up)



Strike Options

See panic devices strikes for complete details.

Single Manual (MSK-SGL)



Single Electric (ESK-9100)



Single Electric (ESK-1600-SGL)



Single Electric (ESK-SGL)



Single Electric - Medium Stile (ESK-MS-SGL)



INSFL3301 Flat Latch Locking Pulls

- Patented flat latch and dogging feature options

Specifications

- Flat latch location: 2-1/8" from face of door to centerline of latch
- Provides additional engagement with strike
- Glass: 3/8" - 7/8" thick, Inswing Only
- Dogging standard
- ADA thumbturn



Device Dogged

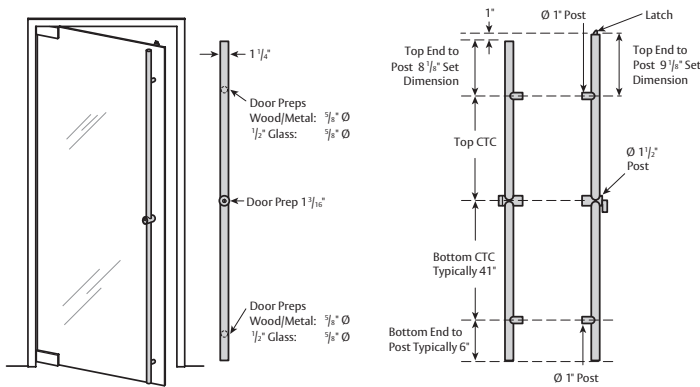


Device Undogged



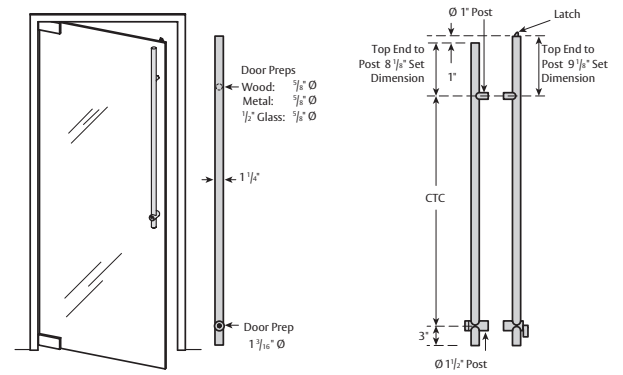
Flat Latch Locking Pull - Full Height Pull - Latch Up

FHU (Full Height Up) - Bolts Up



Flat Latch Locking Pull - Half Height Pull - Latch Up

DBU (Dead Bolt Up)



Strike Options

Single Manual (INSFL-MSK)



Single Electric (INSFL-1600)



SMU9000 Single Motion Flat Latch Device

Product Features

- Single motion egress with patented top latching flat security latch
- Four standard exterior pull options
- Optional standard or security dogging feature
- Engraved push area for enhanced visibility, tactility
- ADA compliant, less than 5 lbs. of force to activate device* (optional)
- Durable, stainless steel construction for long-lasting performance
- PostMount design suites with Rockwood architectural pulls



SMU9000-4 Model Shown

Specifications

- | | | | |
|-------------------------|---|---|---|
| Part Number: | SMU9000 | Handing: | <ul style="list-style-type: none"> • Right-hand reverse (swing 3) • Left-hand reverse (swing 4) |
| Functions: | <ul style="list-style-type: none"> • Keyed • Passage (dogging standard) | Patents, Approvals and Listings: | <ul style="list-style-type: none"> • Meets California Building Code (2019) Sec. 11B-309.4* |
| Glass Thickness: | <ul style="list-style-type: none"> • 3/4" to 1/2" | Finishes: | US32/629, US32D/630, US32MS, US32DMS, US32316, US32D316, 314E, 4E, 10BE, BSP, WSP, Stock Powder Coats, OptiCoat™ Sublimation Finishes |
| Dimensions: | Grip diameter: 1 1/4"
Projection: <ul style="list-style-type: none"> • 3 1/4" Pull side • 2 5/8" Push side | | |
| Materials: | Stainless steel | | |

Engraved Push Area Finish Options

32D device with No Infill Paint



32D device with White Gloss Paint



32D device with Black Gloss Paint



BSP device with No Infill Paint



BSP device with White Gloss Paint



BSP device with Black Gloss Paint



Strike Options

See panic device catalog section for complete strike details.

Single Manual (MSK-SGL)



Single Electric (ESK-9100)



Single Electric (ESK-1600-SGL)



Double Electric (ESK-9200)



Cylinder Options

Code 01	Mortise Cylinder
Code 02	7-pin SFIC Housing w/Construction Core
Code 03	Special Order (keyed alike)
Code 04	Customer Supplied Cylinder
Code 05	Dummy Cylinder Housing

Code 06	Non-Keyed Function (blank escutcheon plate provided)
Code 09	Keyed Construction Core for 7-pin SFIC Cylinder
Code 10	Customer Swapping Cylinder in the Field

SMU9000 Exterior Pull Options

No Mating Pull



Full Height Straight Pull (-3)



Half Height Straight Pull (-4)



Short Centered Straight Pull (-5)



Center Lock Housing and Keeper with Universal Prep

(CLH-CL, CLK-CL)

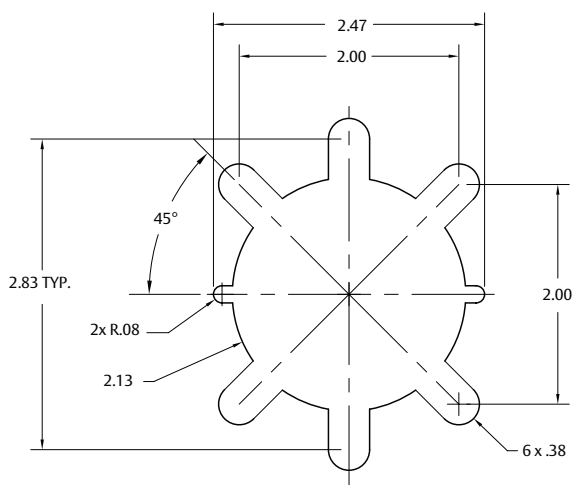
- Accepts cylindrical locks from Sargent, ASSA ABLOY ACCENTRA®, Schlage, Arrow, and Corbin Russwin
- Single or double door applications
- 6-3/16" W x 6-3/16" H
- Available for 1/2" and 9/16" thick glass
- Glass cut-out required
- No cement or silicone required for installation
- Non-handed
- 2-year warranty
- Finishes: US32/629, US32D/630, 314E, 4E, BSP, WSP, Stock Powder Coats



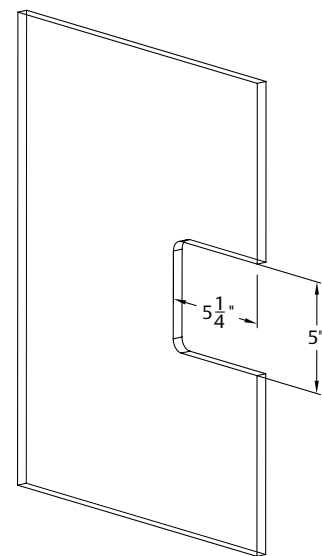
CLH-CL



CLK-CL



Prep Layout



Glass Cut-Out Required for both the CLH-CL & CLK-CL

ASSA ABLOY ACCENTRA® (Formerly Yale Commercial) 8800 Series Mortise Locks

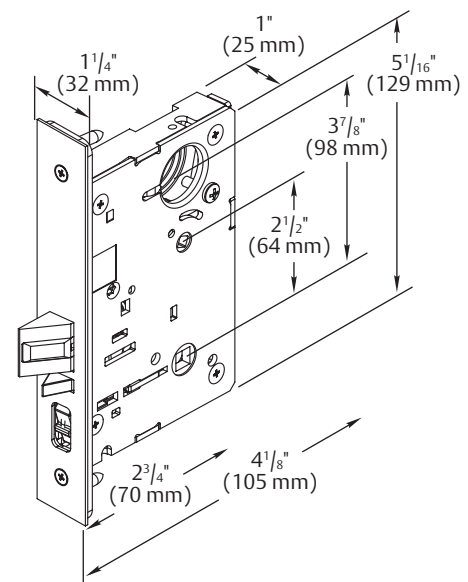
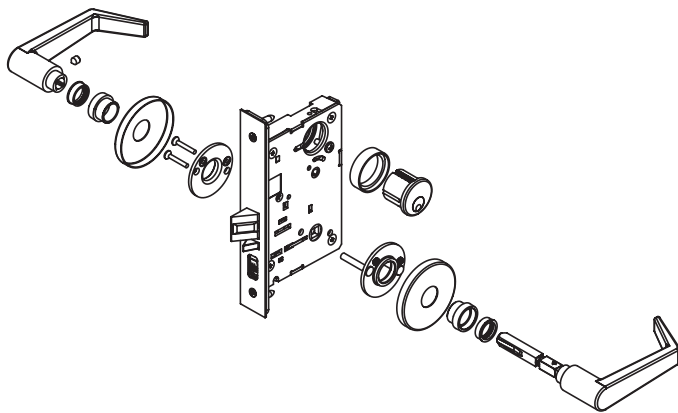
The 8800 Series mortise lock from ASSA ABLOY ACCENTRA provides superior strength and security where your facility needs it the most. The dependable design has ANSI/BHMA Grade 1 certification and can withstand the demands of routine use. With several trim and finish options, these locks offer a solution for every aesthetic.

Product Features

- Works with Center Lock Housing
- 3 Mechanical Functions
 - Passage (ANSI F01)
 - Entry (ANSI F04)
 - Office/Classroom
- Field reversible
- 10-year mechanical warranty
- Trim Options
 - 3 lever styles
 - Internal heavy-duty spring cartridge prevents lever sag
 - Through-bolted installation ensures positive alignment of trim with lock case
- 1 rosette

Specifications

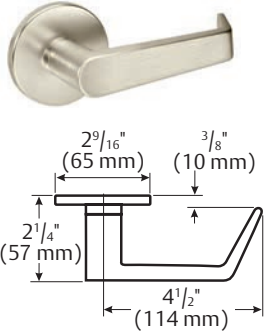
- Armor Front:** 8" x 1¹/₄"
- Latchbolt:** 3/4" throw, stainless steel, one-piece, anti-friction
- Backset:** 2³/₄"
- Hubs:** 3/8" solid steel, fine-blanked and heat treated for additional strength
- 2815 Curved Lip Strike:** 1¹/₄" long; non-handed
- Cylinder Options:** Ordered separately
- Base Material:**
- Case - wrought steel, zinc dichromated
 - Levers – solid cast brass
- Finishes:** US14/618, US15/619, 314E, BSP, WSP, Stock Powder Coats
- Patents, Approvals, Listings:**
- ADA compliant – ANSI A117.1
 - ANSI/BHMA A156.13, Series 1000, Operational Grade 1
 - UL/cUL 3 Hour
 - Windstorm Certified (refer to local codes)



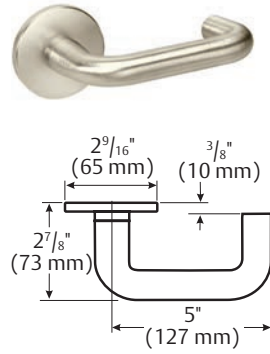
ASSA ABLOY ACCENTRA® (Formerly Yale Commercial) 8800 Series Mortise Lock Trim Offering

Standard Levers

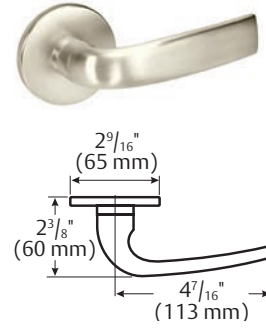
Augusta – AU



Carmel – CR

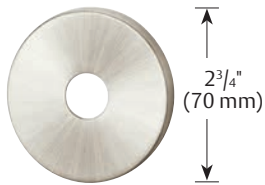


Jefferson – JN



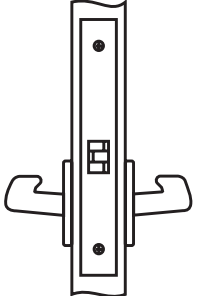
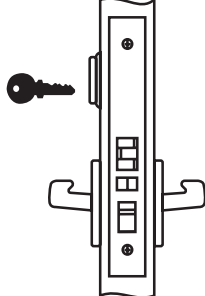
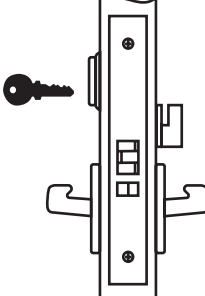
Rosette

R3



ASSA ABLOY ACCENTRA® (Formerly Yale Commercial) 8800 Series Mortise Lock

Functions

Option	ANSI No.	Description	Illustration
Passage	F01	<ul style="list-style-type: none"> For doors that do not require locking Latchbolt retracted by lever either side at all times 	
Entry	F04	<ul style="list-style-type: none"> For doors where locking is required Latchbolt retracted by lever either side, except when outside lever is locked by stopwork activator When outside lever is locked, latchbolt is operated by key outside and lever inside Deadlocking latchbolt 	
Office/Classroom	N/A	<ul style="list-style-type: none"> Latchbolt retracted by lever either side unless outside lever is locked by key outside or thumbturn inside Latchbolt retracted by thumbturn inside or key outside Inside lever always active Deadlocking latchbolt 	

Mortise Locks How To Order

Lock	Function	Lever	Rose	Cylinder Info	Finishes
ML	PAS – Passage ENT – Entry OFF – Office/Classroom	AU, CR, JN	R3	LC – Less Cylinder <i>(only specified on ENT and OFF functions)</i>	US14/618, US15/619, 314E, BSP, WSP, Stock Powder Coats


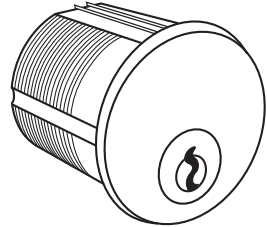
PART NUMBER EXAMPLES

Passage Lock: ML-PAS-JNR3.15

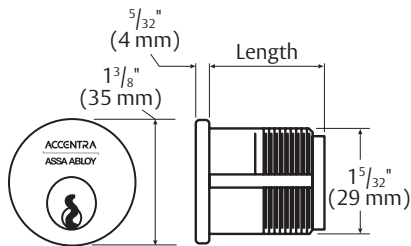
Entry Lock: ML-ENT-AUR3-LC.314E

ASSA ABLOY ACCENTRA® (Formerly Yale Commercial) 8800 Series Mortise Lock Cylinder Options

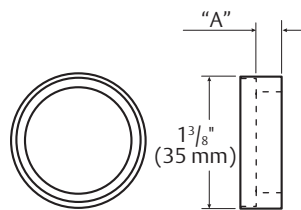
Mortise Cylinder Options

Application	Cam	Pins	Length	Keyway	Cylinder Collar	Illustration
Standard Cylinder	2160	6-Pin	1 1/8"	Para keyway, keyed random Para keyway, 0 bit	1765 1/4"	
Fixed Core Schlage "C" Keyway Cylinder	2160	6-Pin	1 1/8"	Keyed random	1765 1/4"	

Measurements

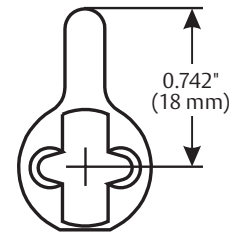


Collars



Glass Thickness	Collar Thickness ("A" Dimension)
1/2"	1/4"

Cam



Mortise Cylinders How To Order

Mortise Cylinder	Keyway	Collar Length	Finishes
MC	PARA – Para keyway, keyed random SCHL – Schlage C keyway, random	250 (1/4)"	US14/618, US15/619, 314E, BSP, WSP, Stock Powder Coats

PART NUMBER EXAMPLES

- MC-PARA-250-KR3.15
- MC-SCHL-250-KR.314E

ROCKWOOD Center Lock Housings

Center Lock Patch

- Patch housing for ASSA ABLOY ACCENTRA® Mortise Lock*
 - Entry (CLH-ENT)
 - Office (CLH-OFF)
 - Passage (CLH-PAS)
- 6" W x 10"H
- Available for 1/2", 9/16", 11/16", and 3/4" thick glass
- Glass cut-out required
- No cement or silicone required for installation
- Handed
- 2-year warranty
- Finishes: US32/629, US32D/630, 314E, 4E, BSP, WSP, Stock Powder Coats

*Custom preps for Corbin Russwin/Sargent available

Patch	Function	Handing	Glass Sizes	Finishes
CLH	PAS – Passage	LH, LHR, RH, RHR	B, C, E, F	US32/629, US32D/630, 314E, BSP, WSP, Stock Powder Coats
	ENT – Entry			
	OFF – Office/Classroom			

PART NUMBER EXAMPLES

- Passage Lock: CLH-PAS-LH-BC.32D
- Entry Lock: CLH-ENT-RH-BC.314E



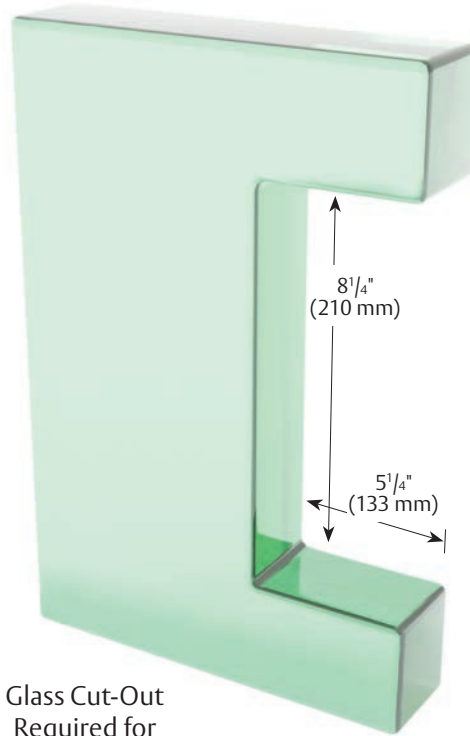
Entry/Office



Passage

Center Patch Keeper (CLK)

- Opposite center lock patch on sidelite and double door applications
- Holds strike plate for 8800 mortise lock
- $6\frac{3}{16}$ " W x $10\frac{3}{16}$ " H with cover plates
- Available for $\frac{1}{2}$ ", $\frac{9}{16}$ ", $\frac{11}{16}$ ", and $\frac{3}{4}$ " thick glass
- Glass cut-out required
- No cement or silicone required for installation
- 2-year warranty
- Finishes: US32/629, US32D/630, 314E, BSP, WSP, Stock Powder Coats



Glass Cut-Out
Required for
both CLH & CLK

Center Lock Housing, Keeper for Access Control Cylindrical Locks (CLH-CLE, CLK-CLE)

- Prepped for ASSA ABLOY ACCENTRA® nexTouch® and Centrios CEB100 cylindrical lock integration*
- Single or double door applications
- No cement or silicone required for installation
- Glass cut-out required
- Matching center lock keeper available to be paired with housing
- Available for 1/2" and 9/16" thick glass
- Non-handed
- Finishes: US32/629, US32D/630, 4E, 10BE, 314E, 315E, BSP, WSP, Stock Powder Coats
- 2-year warranty
- ASSA ABLOY ACCENTRA nexTouch cylindrical lock also available for purchase (CL-NTB623-AU)**

*Centrios CEB100 cylindrical lock not available for purchase through Glass Solutions program

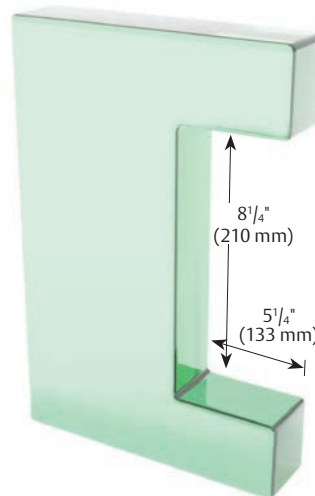
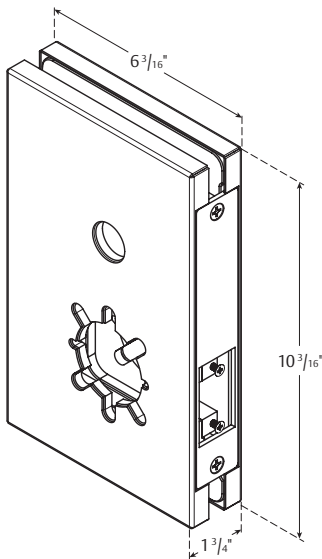
**Standalone version only, Data-on-Card technology must be purchased through ASSA ABLOY ACCENTRA



CLH-CLE with
CL-NTB623-AU



CLH-CLE with
CEB100



Glass Cut-Out Required for
both CLH-CLE & CLK-CLE

Center Lock Housing, Keeper for SARGENT IN100/IN120 Series (CLH-IN, CLK-IN)

- Prepped for SARGENT IN100 or IN120
- Single or double door applications
- No cement or silicone required for installation
- Glass cut-out required
- Prepped for select 10X Line cylindrical functions, 7900 and 8200 Series mortise functions
- Wireless application
- Matching 6-3/16" x 15-3/16" center lock keeper available to be paired with the housing
- Available for 1/2" and 9/16" thick glass
- Finishes: US32D/630, US32/629, 314E, 315E, 10BE, 4E, BSP, WSP, Stock Powder Coats
- 2-year warranty

*Cylinder, lock and lever purchased separately from SARGENT

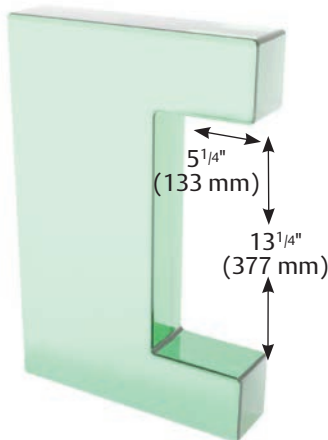
**Standard 6-3/16" x 10-3/16" center lock keeper available to be paired with IN Series housing



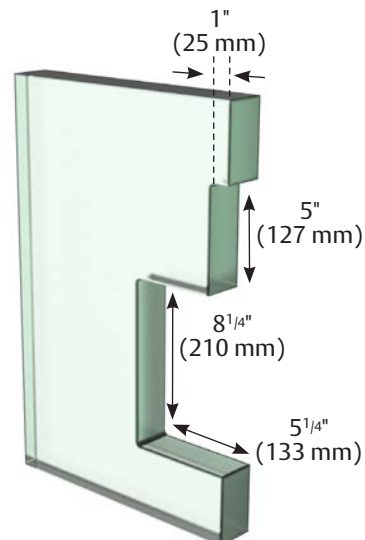
CLH-IN



CLK-IN



Glass Cut-Out Required
for CLH-IN



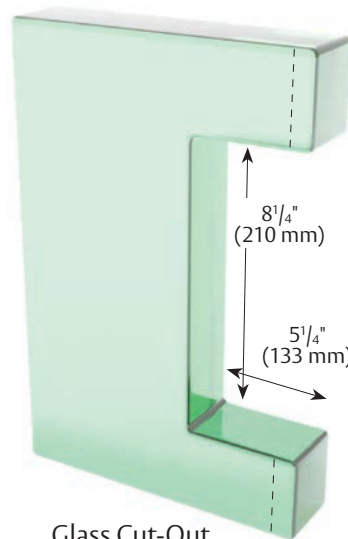
Glass Cut-Out Required
for CLK-IN

Center Lock Keeper with Electric Strike

- Works in conjunction with ASSA ABLOY ACCENTRA® 8800 Series Mortise Lock
- HES1600 strike incorporated into keeper (CLK-ESK-1600)
 - Field selectable Fail Safe / Fail Secure
 - Dual voltage 12/24 VDC/VAC
 - For wiring raceway, please see UWD-1000x1000
- ES100 wireless strike incorporated into keeper (CLK-ESK-ES100-16)
 - Field selectable Fail Safe / Fail Secure
 - 2.4 GHz Aperio wireless technology
 - Battery operated for standalone operation
- $6\frac{3}{16}$ " W x $10\frac{3}{16}$ " H with cover plates
- Available for $\frac{1}{2}$ ", $\frac{9}{16}$ ", $\frac{11}{16}$ ", and $\frac{3}{4}$ " thick glass
- Keeper Finishes: US32D/630, US32/629, 314E, 4E, BSP, WSP, Stock Powder Coats
- Strike Finishes: US32D/630, US32/629, BSP, WSP, 314E, 4E, Stock Powder Coats
- Optional Lock Monitor (LM) available



CLK-ESK

Glass Cut-Out
Required CLK-ESK

Hold glass back $\frac{1}{4}$ " at top or bottom depending on wiring direction.*

*Not required for ES100



CLK-ESK-ES100-16

ROCKWOOD Dead Bolts

Dead Bolt Lock (PF-DBLOCK)

- $2\frac{5}{8}$ " W x 6" H
- Available for $\frac{1}{2}$ " or $\frac{9}{16}$ " thick glass
- Glass cut-out required
- No cement or silicone required for installation
- 2-year warranty
- Finishes: US32D/630, US32/629, US28/628, 314, 314E, BSP, WSP, Stock Powder Coats



Dead Bolt Strike (PF-DBSTRIKE)

- $2\frac{5}{8}$ " W x 6" H
- Available for $\frac{1}{2}$ " or $\frac{9}{16}$ " thick glass
- Glass cut-out required
- No cement or silicone required for installation
- 2-year warranty
- Finishes: US32D/630, US32/629, US28/628, 314, 314E, BSP, WSP, Stock Powder Coats

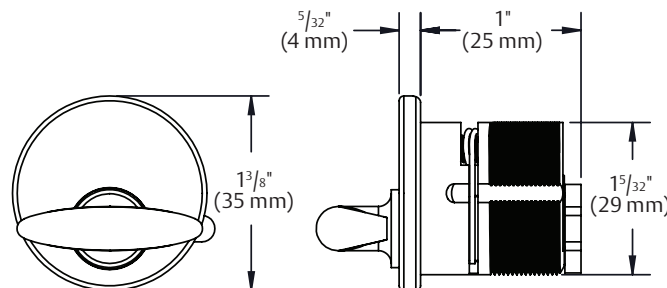


Dead Bolt Lock Cylinder and Thumbturn

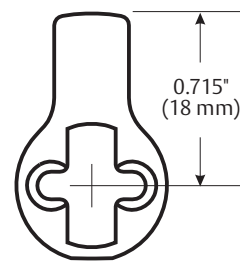
1" Cylinder with Collar
(PFD-LOCKCYL)



1" Thumbturn with Collar (PFD-LOCKTT)



Cylinder Cam



BRUKEN Lock and Lever Set (PF-LSLOCK, PF-LSKEEPER)

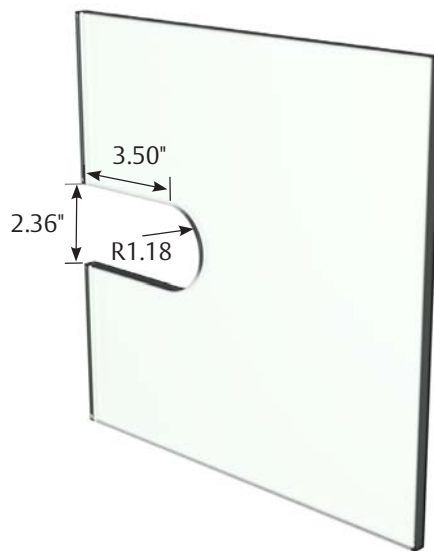
- Cover material: stainless steel, inner material: aluminum
- Glass cut-out required for installation
- Non-handed
- Single or double door applications
- Available for 5/16" to 1/2" thick glass
- Finishes: US32D/630, BSP, WSP, 314E, Stock PCs



PF-LSLOCK



PF-LSKEEPER



Glass Cut-Out Required

Electrified Hardware

ADAMS RITE and SECURITRON® lead the industry with their electrified hardware products. Whether you choose a Magnalock®, wireless reader, or touch lock, you get quality solutions for high traffic and high security applications.



BRUKEN Digital Lock

Provides keyless access control for all-glass interior single and double door openings

Product Features

- Available for 3/8" - 1/2" thick doors
- No glass preparation for easy installation
- Reversible handing
- Three operating methods: fingerprint, numeric passcode, card reader
- Sleek touch screen interface
- Low voltage warning: display screen shows battery voltage in real time, prompting user to change batteries

Specifications

Materials:	<ul style="list-style-type: none"> • Front body: Plastic • Back body: Aluminum, plastic
Twin Bolt Dimensions:	7/16"D with 1-1/8" throw
Operating Temperature:	+5°F to +150°F (-25°C to +65°C)
Dimensions:	2-3/4" x 3-1/16" x 7-7/8"
Finishes:	Black
Part Number:	DL-GS3550



SECURITRON® M32 Series Magnalock®

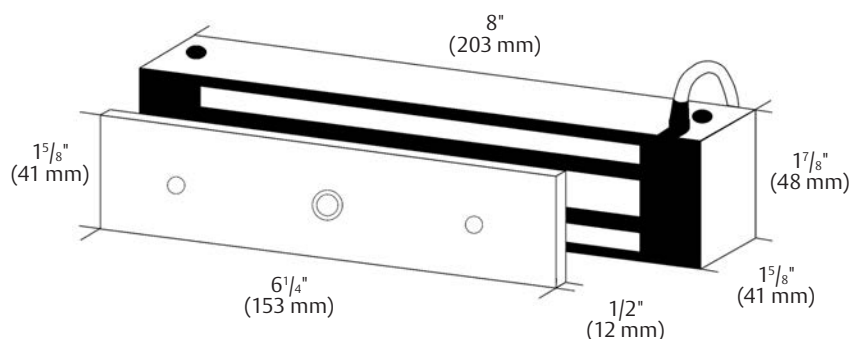
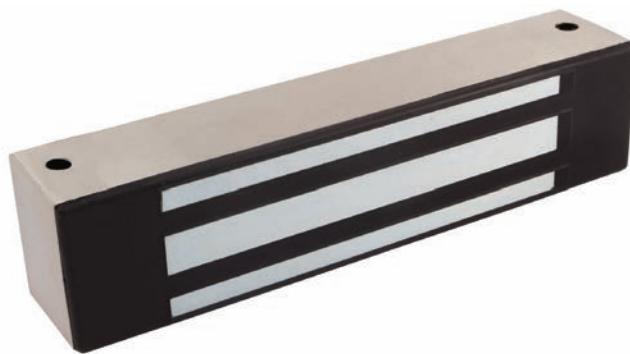
The M32 electromagnetic lock is ideal for traffic control in high-use areas within secured or monitored perimeters. With unsurpassed durability, the M32 will last long after most buildings wear out. Applications for when reliability, high durability, and low-maintenance are required.

Product Features

- Ultra-secure collapsing blind nuts mount to the door frame for strength and reliability
- Fully sealed for weather-proof operations
- 10 ft (3 m) of jacketed, stranded conductor cable
- Automatic dual-voltage – no field adjustment required
- Instant release circuit – no residual magnetism
- Noise suppression with included MOV
- Efficient, low-power usage
- Rust resistant – all ferrous metal surfaces plated for durability
- MagnaCare® lifetime replacement no fault warranty

Specifications

- Holding Force:** 600 lbs. (272 kg)
- Electrical:** 300 mA at 12 VDC; 150 mA at 24 VDC
- Operating Temperature:** -40° F to +140° F [-40° C to +60° C]; indoor or outdoor use
- Base Material:** Stainless steel
- Dimensions:**
- Magnalock: 8" L x 1⁵/₈" D x 1⁷/₈" H
 - Strike: 6¹/₄" L x 1¹/₂" D x 1⁵/₈" H
- Finishes:** US32D/630
- Patents, Approvals, Listings:**
- Meets UL 10C
 - Meets CAN4-S104, CAN/ULC-S533
 - Meets ANSI/UL294
 - Meets CSA-C22.2 No.205
 - Meets ANSI/BHMA A156.23, Grade 1; E08501-500
 - Meets CSFM – California State Fire Marshal
 - Meets MEA – City of New York
 - Meets CE: EN 50081-1(92), EN 61000-6-2(99)
 - Patent: 8,094,017
- Options:**
- (B) BondSTAT magnetic bond sensor (MBS); patented
 - (D) Integrated door-position switch (DPS)
- Part Number:** MAG-M32BD



SECURITRON® M380E EcoMag® Magnalock®

The M380E Series with EcoMag® technology from Securitron® delivers the same unsurpassed intelligence, style, and convenience as the previous M380 series, but with an 80% reduction in energy consumption.

Product Features

- Sustainability documentation
- Energy efficient, low power usage
- Automatic dual-voltage-no field adjustment required
- LED Indicator shows the lock is secure, open, or has an incomplete bond
- Tamper Switch sends an alarm output if the cover is removed and is selectable to NO or NC
- Available integrated BondSTAT and Door Position Switch
- Autosensing dual voltage with microprocessor technology
- Rust resistant — all ferrous metal surfaces plated for durability
- Adjustable automatic relock timer (0 to 30 seconds)
- Wire chamber anti-tamper switch
- Size optimized for use with door closers
- Strike plate mounting template provides the easiest install for out-swing doors
- MagnaCare® lifetime replacement, no fault warranty

Specifications

Holding Force: 600 lbs. (272 kg)

Electrical: Maglock Average Power Draw ($\pm 10\%$)

- 140 mA at 12 VDC
- 90 mA at 24 VDC

Maglock Maximum Power Draw ($\pm 10\%$)

- 585 mA at 12 VDC
- 310 mA at 24 VDC

REX Power ($\pm 10\%$)

- Adds 25 mA at 12 VDC
- Adds 10 mA at 24 VDC

Operating Temperature: +32° F to +110° F [0° C to +43 °C]; indoor use only

Dimensions:

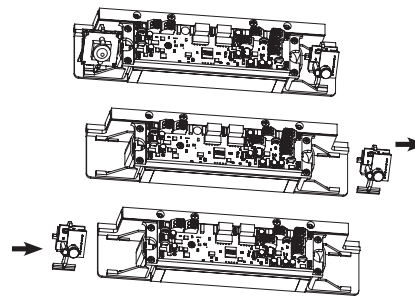
- Magnalock: 10" L x 2⁷/₁₆" D x 2³/₁₆" H
- Strike: 7⁷/₁₆" L x 9⁹/₁₆" D x 1⁵/₈" H

Finishes: US28/628, US20A/313, US19/335

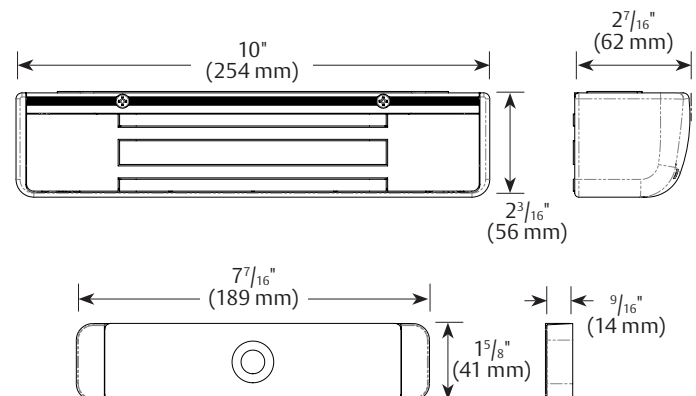
Patents, Approvals, Listings:

- Meets UL 10C
- Meets UL 1034 Burglary-Resistant
- Meets UL 294
- Meets CAN4-S104, CAN/ULC
- Meets ANSI/BHMA A156.23, Grade 3
- Meets CSFM - California State Fire Marshal
- Patent Pending

Part Number: MAG- M380EBDX



The REX is designed as a modular component that can be installed on either the left side or the right side of the magnet. The position of the REX module can be easily field configured for better positioning on the door.



SECURITRON® M680E EcoMag® Magnalock®

The M680E with EcoMag technology is the most eco-friendly Magnalock available. With an integrated request to exit (REX), it provides optimum coverage for detecting an approaching person so the door unlocks for egress. The configuration of the passive infrared (PIR) beam allows the detection area to be tailored to your environment for better accuracy.

Product Features

- Strike plate mounting template provides the easiest install for out-swing doors
- LED Indicator shows the lock is secure, open, or has an incomplete bond
- Tamper Switch sends an alarm output if the cover is removed and is selectable to NO or NC
- Available integrated BondSTAT Door Position Switch
- Autosensing dual voltage with microprocessor technology
- Adjustable automatic relock timer (0 to 30 seconds)
- Wire chamber anti-tamper switch
- Energy efficient, low power usage
- Size optimized for use with door closers
- Adjustable passive infrared (PIR) request to exit (REX)
 - Automatically cuts power to the M680E for egress
 - REX output
 - Easily adjustable beam pattern
 - Adjustable relock timer
- MagnaCare® lifetime replacement, no fault warranty

Specifications

Holding Force: 1,200 lbs. (544 kg)

Electrical: Maglock Average Power Draw ($\pm 10\%$)

- 113 mA at 12 VDC
- 52 mA at 24 VDC

Maglock Maximum Power Draw ($\pm 10\%$)

- 515 mA at 12 VDC
- 290 mA at 24 VDC

Operating Temperature: +32° F to +110° F [0° C to +43° C]; indoor use only

Base Material: Enclosure: plated zinc
Strike: stainless steel

Dimensions:

- Magnalock: $11\frac{1}{2}$ " L x $2\frac{9}{16}$ " D x $2\frac{1}{2}$ " H
- Strike: $10\frac{7}{8}$ " L x $\frac{9}{16}$ " D x 2" H

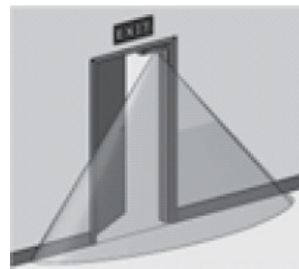
Finishes: US28/628, US20A/313, US19/335

Patents, Approvals, Listings:

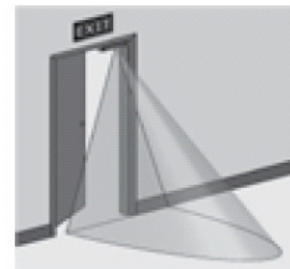
- EPD - Environmental Product Declaration
- Meets UL 1034 Burglary-Resistant
- Meets UL 10C Fire Rating, 1 Hour
- Meets CAN/ULC-S104
- UL 294 Recognized Component
- Meets ANSI/BHMA A156.23, Grade 2; E18501
- Meets CSFM - California State Fire Marshal
- Patent Pending

Part Number: MAG-M680EBDX

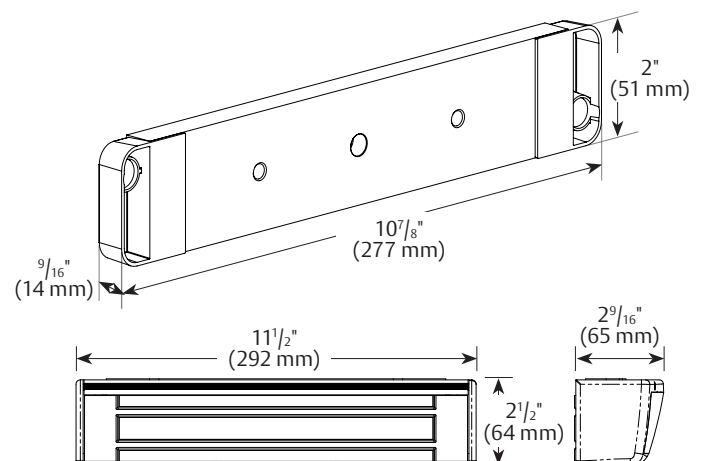
*A separate continuous power input is required to power the REX.



REX shown adjusted for hallways



REX shown adjusted for door approach



ALARM CONTROLS 600 Series Magnetic Locks

The 600 Series magnetic locks feature bond and door status sensors that indicate a powered and securely locked opening. With single or double door model options, the 600 has field-selectable dual voltage and easy bracket-mount installation.

Product Features

- Bond and door status sensors
- Dual-voltage: 12/24 VDC
- Self drilling TEC screws
- Built-in arc suppression
- Instant release, no hysteresis
- Bi-colored (red & green) status LED
- Sensors have SPDT 3A relay contacts
- E-Z mount system, no special tools required
- Non-aluminum parts are plated to resist corrosion
- Limited lifetime warranty

Specifications

Holding Force:	600 lbs. (272 kg)	Finishes:	US28/628
Electrical:	Low current draw: 505 mA at 12 VDC, 260 mA at 24 VDC	Patents, Approvals, Listings:	<ul style="list-style-type: none"> • Meets UL 10C • Meets UL 294 • Meets ULC-S104 (Canada)
Operating Temperature:	+14° F to +131° F [-10° C to +55° C]	Part Numbers	Single: MAG-600LB Double: MAG-600DLB
Base Material:	Enclosure: aluminum		
Dimensions:	Single (600LB) <ul style="list-style-type: none"> • Magnet: 9⁷/₈" L x 1¹¹/₁₆" H x 1" W • Armature: 7¹/₄" L x 1¹/₂" H x 5⁵/₈" W Double (600DLB) <ul style="list-style-type: none"> • Magnet size: 19³/₄" L x 1⁷/₈" H x 1" W • Armature size: 7¹/₄" L x 1¹/₂" H x 5⁵/₈" W 		

600LB



600DLB



ALARM CONTROLS 1200 Series Magnetic Locks

With built-in arc suppression, the Alarm Controls 1200 magnetic lock can be used with any access control system. Used with single or double doors, this model provides 1200 lbs of holding force to secure interior and sheltered perimeter doors.

Product Features

- Bond and door status sensors
- Dual-voltage: 12/24 VDC
- Self drilling TEC screws
- Built-in arc suppression
- Instant release, no hysteresis
- Bi-colored (red & green) status LED
- Sensors have SPDT 3A relay contacts
- E-Z mount system, no special tools required
- Non-aluminum parts are plated to resist corrosion
- Limited lifetime warranty

Specifications

Holding Force:	1,200 lbs. (544 kg)	Finishes:	US28/628
Electrical:	Low current draw: 505 mA at 12 VDC, 260 mA at 24 VDC	Patents, Approvals, Listings:	<ul style="list-style-type: none"> • Meets UL 10C Fire Rated • Meets UL 294 • Meets ULC-S104 (Canada)
Operating Temperature:	+14° F to +131° F [-10° C to +55° C]	Part Number:	Single: MAG-1200LB Double: MAG-1200DLB
Base Material:	Enclosure: aluminum		
Dimensions:	Single (1200LB) <ul style="list-style-type: none"> • Magnet: 10¹/₂" L x 2⁷/₈" H x 1¹/₂" W • Armature: 7³/₈" L x 2³/₈" H x 9¹/₁₆" W Double (1200DLB) <ul style="list-style-type: none"> • Magnet size: 21" L x 2⁷/₈" H x 1¹/₂" W • Armature size: 7¹/₂" L x 2³/₈" H x 5⁵/₈" W 		

1200LB



1200DLB



SECURITRON® SAM Shear Aligning Concealed Magnalock®

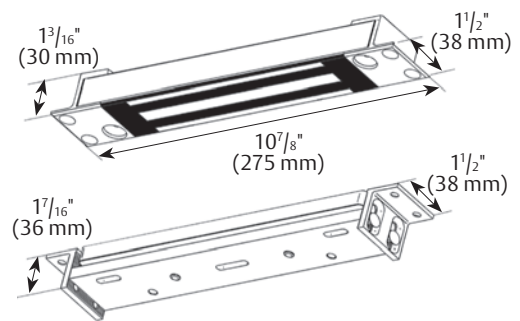
This concealed mag lock provides hidden strength at any angle for any application. The SAM Shear Aligning Magnalock® is ideal for traffic control or medium security and with its flexible mounting options, provides a solution for the most challenging door control situations. The SAM Shear Aligning Magnalock has mounting options for a single door or for each leaf on a pair of doors and can be a sliding, in-swing, out-swing, or swing-through door. It mounts fully concealed into Herculite doors in any position: at the header, door edge, or threshold.

Product Features

- Recessed for aesthetically appealing finish
- Fully sealed for weather-proof operations
- 10 ft (3.05 m) of jacketed, stranded conductor cable
- Automatic dual-voltage; no field adjustment required
- Instant release circuit; no residual magnetism
- Noise suppression with included MOV
- Efficient, low power usage
- Rust-resistant; all ferrous metal surfaces plated for durability
- MagnaCare® lifetime replacement no-fault warranty

Specifications

Holding Force:	1,200 lbs. (544 kg)
Electrical:	320 mA at 12 VDC; 170 mA at 24 VDC
Operating Temperature:	-40° F to +140° F [-40° C to +60° C]; indoor or outdoor use; not for use in open channel doors
Base Material:	Stainless steel
Dimensions:	<ul style="list-style-type: none"> • Magnalock: 10⁷/₈" L x 1³/₁₆" D x 1¹/₂" W • Strike: 10⁷/₈" L x 1⁷/₁₆" D x 1¹/₂" W
Finishes:	US32D/630
Patents, Approvals, Listings:	<ul style="list-style-type: none"> • Meets UL 10C • Meets UL/cUL GWXT.R13976 / GWXT7.R13976 • Meets UL/cUL FWAX7.SA6635 • Meets UL/cUL FWAX2.SA6635 / FWAX8.SA6635 • Meets UL/cUL ALVY.BP7041 • Meets CSFM - California State Fire Marshal <ul style="list-style-type: none"> - CSFM 3774-0923:0101 - CSFM 3774-0923:0102 - CSFM 3774-0923:0103 • Meets CAN4-S104, CAN/ ULC-S533 • Meets ANSI/UL 294 • Meets ANSI/BHMA A156.23, Grade 1; E08561-1000, E08571-1000, E08581-1000, E08591-1000 • U.S. Patents: 6,007,119; 6,135,515; BondSTAT • Magnetic Bond Sensor - Patent: 8,094,017 • Foreign Patents: AU:741,880; China: ZL98809925.X; EU: 1,021,633
Part Number:	MAG-SAMBD



SECURITRON® SAM2-24 Shear Aligning Concealed Magnalock®

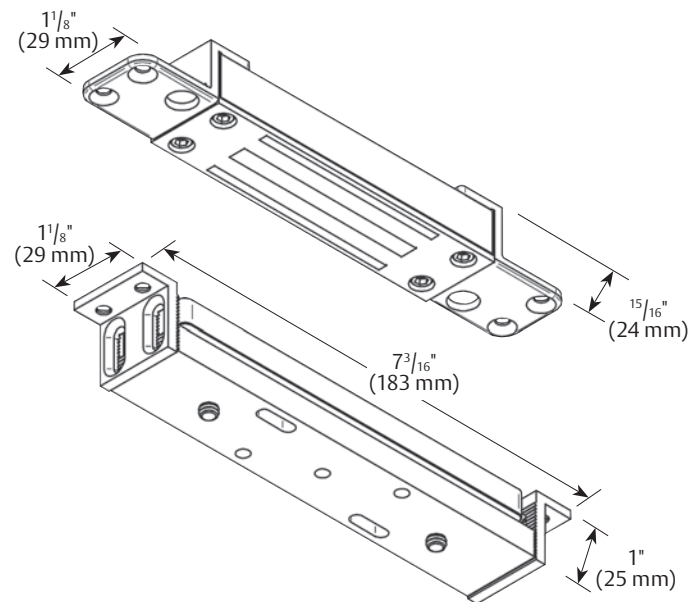
The compact and versatile SAM2-24 Shear Aligning Magnalock provides 600 lbs. of holding force to swinging or sliding doors. It is ideal for traffic control and to secure smaller applications. The SAM2-24 mounts fully concealed into Herculite doors in any position: at the header, door edge, or threshold.

Product Features

- Direct mount to door frame for strength and reliability
- Compact design fits tight spaces
- Fully sealed for weatherproof operations
- 6 ft (1.8 m) of jacketed, stranded conductor cable
- Noise suppression with included MOVs
- Instant release circuit; no residual magnetism
- Efficient, low-voltage, low power usage
- Rust-resistant; all ferrous metal surfaces plated for durability
- MagnaCare® lifetime replacement no fault warranty

Specifications

Holding Force:	600 lbs. (272 kg)
Electrical:	62 mA at 24 VDC only
Operating Temperature:	-40° F to +140° F [-40° C to +60° C]; indoor or outdoor use; not for use in open channel doors
Base Material:	Stainless steel
Dimensions:	<ul style="list-style-type: none"> • Magnalock: $7\frac{3}{16}$" L x $\frac{5}{16}$" D x $1\frac{1}{8}$" W • Strike: $7\frac{3}{16}$" L x 1" D x $1\frac{1}{8}$" W
Finishes:	US32D/630
Patents, Approvals, Listings:	<ul style="list-style-type: none"> • Meets UL 10C • Meets UL/cUL GWXT.R13976 / GWXT7.R13976 • Meets CSFM - California State Fire Marshal • Meets CSFM 3774-0923:0101 • Meets CAN4-S104, CAN/ ULC-S533 • Meets ANSI/UL 294 • Meets ANSI/BHMA A156.23, Grade 1; E08571-1000, E08581-500 • US Patents: 6,007,119; 6,135,515 • Foreign Patents: AU: 741,880; China: ZL98809925.X; EU: 1,021,633
Part Number:	MAG-SAM2-24VDC

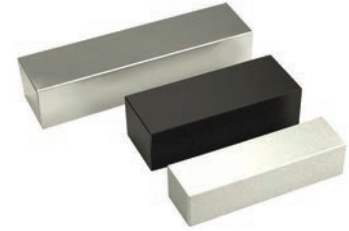


Magnetic Lock Accessories

Securitron® Dress Covers

- Attractive cover for the M32 Series Magnalock
- Install using foam adhesive tape
- Available in clear, black, and polished stainless finishes
- MagnaCare® lifetime replacement, no-fault warranty

Base Material: Stainless steel
Dimensions: 8" L x 2" D x 1⁵/₈" H
Finishes: US32/629, US28/628, US19/335
Part Number: MAG-DC32



Securitron® Glass Door Bracket

- Permits strike plate installation on a solid glass door
- Adhesive mounting requires no drilling
- MagnaCare® lifetime replacement, no-fault warranty

Base Material: Aluminum
Dimensions: 6" L x 1⁵/₈" H
Finishes: US28/628
Part Number: MAG-GDB



Adhesive Kit for Securitron® Glass Door Bracket

- Attaches Magnalock brackets to glass header
- Permanently bonds to glass using special industrial adhesive
- MagnaCare® lifetime replacement, no-fault warranty

Brand: Loctite
Part Number: MAG-AKG



Alarm Controls Glass Door Holder

- Used to mount armature on glass door
- Size: 7⁵/₁₆" L x 1³/₈" W x 2¹/₂" H
- Glass Thickness: 1/2" - 5/8"
- Minimum clearance between top of door and door header: 1³/₆₄"
- Armature adjustment range: 1"

Base Material: Aluminum
Finishes: US28/628
Part Number: MAG-GDH



Securitron® Universal Header Bracket

- Used to extend the header 1" or 1½"
- Provides a concealed wiring chamber
- Use with M32BD, M380E, M680E
- MagnaCare® lifetime replacement, no fault warranty

Base Material: Aluminum

Finishes: US28/628, US19/335

Part Number: MAG-UHB-8

MAG-UHB-12



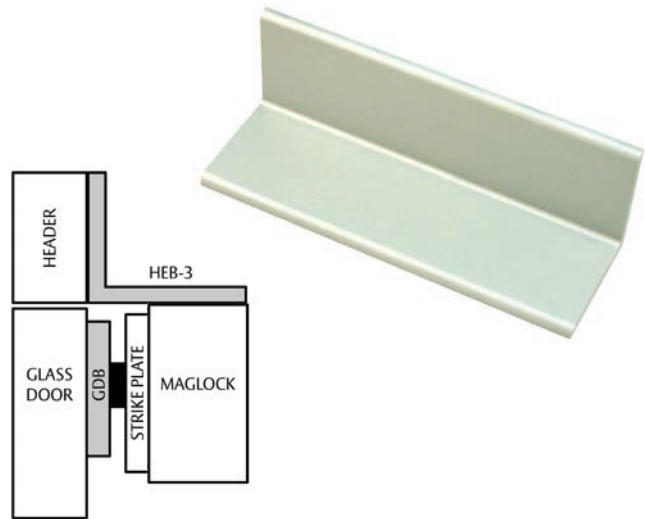
Securitron® Header Extension Bracket

- Allows for Magnalock installation on all-glass header when used with the adhesive mounting kit
- Use with M32BD
- Specially milled back
- MagnaCare® lifetime replacement, no-fault warranty

Base Material: Aluminum

Finishes: US28/628, US19/335

Part Number: MAG-HEB-X-X



Alarm Controls L Bracket

- 90-degree angle bracket
- Use with 600 and 1200 magnetic locks
- Lateral adjustability on MAG-AM3325 and MAG-AM6325 models
- Extends narrow headers to permit proper mounting

Base Material: Aluminum

Finishes: US28/628

Part Number: 600 Single: MAG-AM3325

600 Double: MAG-AM3326

1200 Single: MAG-AM6325

1200 Double: MAG-AM6326



Securitron® Motion Sensor

- Allows for optimal coverage of the egress area for smooth, hands-free lock release and exit
- Versatile mounting options, easily adjustable infrared beam
- Suitable for openings up to 12 ft. in height
- MagnaCare® lifetime replacement, no fault warranty

Finishes: White

Part Number: MAG-XMS2



Securitron® Emergency Exit Button

- Offers additional safety, as required by code, for possible malfunction of motion exit sensor
- MagnaCare® lifetime replacement, no-fault warranty

Finishes: US32D/630

Part Number: MAG-EEB2
MAG-EEB3N (Narrow Style)



MAG-EEB2



MAG-EEB3N

SECURITRON® AQD2 Series Power Supplies

The Securitron AQD2 Series of switching power supplies are dual voltage, UL listed, supervised units. These units are field selectable with a dedicated battery charging circuit. They provide 2 Amp at 12 VDC or 24 VDC continuous, with up to 16 independently controlled power limited outputs.

Product Features

- All combinations of AQ power supplies and distribution boards are UL listed
- Dual voltage 12 or 24 VDC field selectable continuous output
- Up to 85% efficiency, which results in decreased operating costs and lengthens the lifespan of electronics
- Tolerates brownout or overvoltage input $\pm 15\%$ of nominal voltage
- Thermal shutdown protection with auto restart
- Circuit breaker protects against overcurrent and reverse battery faults
- Dedicated battery charging circuit prevents overvoltage on locking devices
- Low battery cutoff at 9 V at 12 V and 18 V at 24 V
- Available with a single relay fire trigger or individually triggered relayed outputs
- MagnaCare® lifetime replacement, no fault warranty

Specifications

- Typical output: 12.5 / 25.0 VDC
- Low noise design with ripple as low as 70 mV p-p
- 115 or 230 VAC input
- Power supply outputs are Class 2 power limited
- Expandable up to 16 independently controlled power limited outputs
- Available with configurable access control input/ outputs with fire trigger in either PTC or with fuse/dry contact option, fire relay only, or configurable outputs with fire relay input
- LED indicators and form "C" contacts for supervision
- Supports up to two (2) sealed gel, AGM or wet lead acid batteries
- Dimensions: 14" x 14" x 4³/₄" enclosure
- Operating Temp: -4° F to +122° F [-20° C to +50° C]
- Patents, Approvals and Listings:
 - Meets UL 294
 - Meets UL 603
 - Meets ULC-S318
 - Meets ULC-S533
 - RoHS Compliant
 - REACH Compliant
- Part Number: PS-AQD2-4C1



SECURITRON® AQD4 Series Power Supplies

The Securitron AQD4 Series of switching power supplies are dual voltage, UL listed, supervised units. These units are field selectable with a dedicated battery charging circuit. They provide 4 Amp at 12 VDC or 24 VDC continuous, with up to 16 independently controlled power limited outputs.

Product Features

- All combinations of AQ power supplies and distribution boards are UL listed
- Dual voltage 12 or 24 VDC field selectable continuous output
- Up to 89% efficiency, which results in decreased operating costs and lengthens the lifespan of electronics
- Tolerates brownout or overvoltage input $\pm 15\%$ of nominal voltage
- Thermal shutdown protection with auto restart
- Circuit breaker protects against overcurrent and reverse battery faults
- Dedicated battery charging circuit prevents overvoltage on locking devices
- Low battery cutoff at 9 V at 12 V or 18 V at 24 V
- Available with a single relay fire trigger or individually triggered relayed outputs
- MagnaCare® lifetime replacement, no fault warranty

Specifications

- Low noise design with ripple as low as 96 mV p-p
- 115 or 230 VAC input
- Power supply outputs are Class 2 power limited when used with 4, 8 or 16 output distribution boards
- Expandable up to 16 independently controlled power limited outputs
- Available with configurable access control input/ outputs with fire trigger in either PTC or with fuse/dry contact option, fire relay only, or configurable outputs with fire relay input
- LED indicators and form "C" contacts for supervision
- Supports up to two (2) sealed gel, AGM or wet lead acid batteries
- Dimensions: 14" x 14" x 4³/₄" enclosure
- Operating Temp: -4° F to +122° F [-20° C to +50° C]
- Patents, Approvals and Listings:
 - Meets UL 294
 - Meets UL 603
 - Meets ULC-S318
 - Meets ULC-S533
 - RoHS Compliant
 - REACH Compliant
- Part Number: PS-AQD4-8F8R2



SECURITRON® AQD6 Series Power Supplies

The Securitron AQD6 Series of switching power supplies are dual voltage, UL listed, supervised units. These units are field selectable with a dedicated battery charging circuit. They provide 6 Amp at 12 VDC or 24 VDC continuous, with up to 16 independently controlled power limited outputs.

Product Features

- All combinations of AQ power supplies and distribution boards are UL listed
- Dual voltage 12 or 24 VDC field selectable continuous output
- Up to 91% efficiency, which results in decreased operating costs and lengthens the lifespan of electronics
- Tolerates brownout or overvoltage input $\pm 15\%$ of nominal voltage
- Thermal shutdown protection with auto restart
- Circuit breaker protects against overcurrent and reverse battery faults
- Dedicated battery charging circuit prevents overvoltage on locking devices
- Low battery cutoff at 9 V at 12 V or 18 V at 24 V
- Available with a single relay fire trigger or individually triggered relayed outputs
- MagnaCare® lifetime replacement, no fault warranty

Specifications

- Low noise design with ripple as low as 240 mV p-p
- 115 or 230 VAC input
- Power supply outputs are Class 2 power limited when used with PTC polyswitch distribution boards
- Expandable up to 16 independently controlled power limited outputs
- Available with configurable access control input/ outputs with fire trigger in either PTC or with fuse/dry contact option, fire relay only, or configurable outputs with fire relay input
- LED indicators and form "C" contacts for supervision
- Supports up to two (2) sealed gel, AGM or wet lead acid batteries
- Dimensions: 14" x 14" x 4³/₄" enclosure
- Operating Temp: -4° F to +122° F [-20° C to +50° C]
- Patents, Approvals and Listings:
 - Meets UL 294
 - Meets UL 603
 - Meets ULC-S318
 - Meets ULC-S533
 - RoHS Compliant
 - REACH Compliant
- Part Number: PS-AQD6-8F8R2



Aperio®

Aperio offers the same real-time communication as traditional access control without the inconvenience of wiring the door. Aperio technology is a global wireless platform that reduces the cost and inconvenience of traditional access control without the hassle of complex site surveys. It utilizes local wireless communication between the lock and a communications hub to connect to an online electronic access control system. This offers facilities an easy, affordable way to expand the reach of existing access control systems and secure additional openings.



SECURITRON® R100 Wireless Card Reader and Aperio® Hub

The Securitron R100 surface mounted wireless iCLASS reader and pre-paired Aperio® hub offer an elegant way to extend access control to glass entryways. Installation is easy, requires no drilling or pulling of wires, and can adhere in minutes. A complement to an electronic locking solution, glass entryways can now integrate robust access control while maintaining a clean, wireless appearance.

Product Features

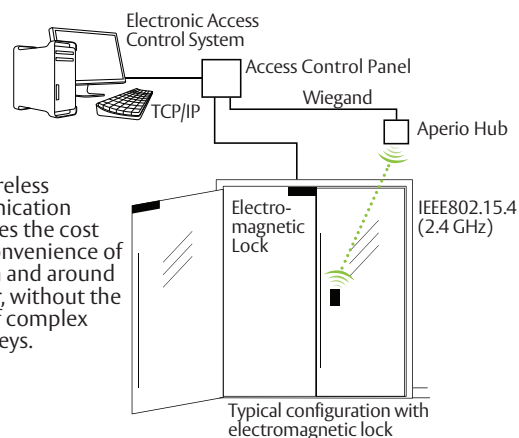
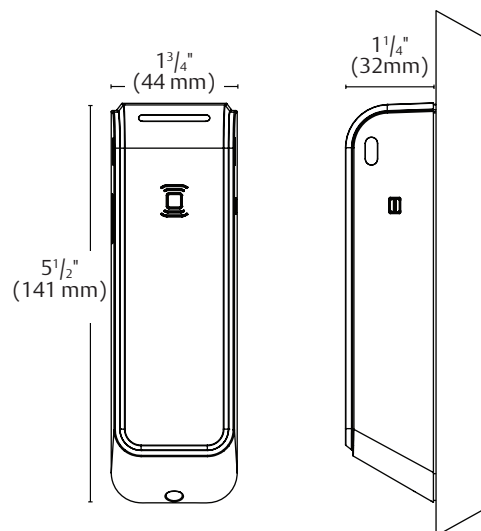
- Adheres to glass surface without any connecting wires
- Shortened wire pull from panel to hub provides cost benefit in installation
- Fully-encrypted AES 128 wireless communication
- Online transaction audit trail capability
- Low-battery signaling and reporting
- Green status LED indicator
- Protected by SecuriCare® three-year, no-fault warranty

Specifications

Battery:	(2) AA Lithium batteries (included)*
Operating Temperature:	+32° F to +122° F [0° C to +50° C]; indoor or outdoor use
Monitoring:	Tamper; low battery
Base Material:	Reader and hub: plastic enclosure
Dimensions:	4.25" L x 1.8" W x 1.0" H
Finishes:	<ul style="list-style-type: none"> • Reader: black • Hub: white
Patents, Approvals, Listings:	<ul style="list-style-type: none"> • FCC Part 15 & Industry Canada Compliant • CE RED – Radio Equipment Directive – 2014/53/EU • RoHS Compliant
Accessories	R100 Dress Cover (RD-R100-DPK) <ul style="list-style-type: none"> • Aluminum cover • Attaches to inside of glass, hiding mounting glue • Keeps glass aesthetically pleasing • Mounts with self-adhesive backing • Dimensions: 5" L x 2" W • Finish: US28/628

* AA Lithium Batteries required. Use of other types of batteries, such as alkaline, will significantly decrease battery life.

High frequency model supports HID Prox®, Kantech ioProx, HID iCLASS®, HID iCLASS, SE® (SIO-enabled), HID iCLASS® Seos™, HID MIFARE® SE, HID DESFire® EV1 SE, MIFARE Classic, MIFARE, DESFire EV1, NFC-enabled mobile phones (RD-R100H-IPS)



Notes

Notes

The ASSA ABLOY Group is the global leader in access solutions. Every day, we help billions of people experience a more open world.

ASSA ABLOY

ASSA ABLOY Opening Solutions leads the development within door openings and products for access solutions in homes, businesses and institutions. Our offering includes doors, door and window hardware, mechanical and smart locks, access control and service.



ASSA ABLOY Opening Solutions
Glass Solutions
300 Main Street
Rockwood, PA 15557
www.assaabloyglass.us
855 594 6989

ASSA ABLOY Opening Solutions
Door Security Solutions Canada
160 Four Valley Drive
Vaughan, ON L4K 4T9
www.assaabloydss.ca
800 461 3007