

SARGENT®

ASSA ABLOY

PRODUCT CATALOG

422 Cam Action Door Closer



Experience a safer
and more open world

Table of Contents

Introduction, Features, Benefits	3
Overview, Certifications	4
Standard Applications	5
Optional Applications	6
Functions	7
Accessories	8
Architectural Specifications, General Information	9
How to Order	10
Finishes, Parts	11

Copyright © 2005-2026, SARGENT Manufacturing Company. All rights reserved. Reproduction in whole or in part without the express written permission of SARGENT Manufacturing Company is prohibited. Patent pending and/or patent: www.assaabloyds.com/patents.

On The Cover

 422 CTB2 Door Closer with EN finish

 **WARNING**

This product can expose you to lead which is known to the state of California to cause cancer and birth defects or other reproductive harm. For more information go to www.P65warnings.ca.gov.

General Information

INTRODUCTION

Easy Open - Secure Close

The 422 cam action door closer is designed to make doors easy to open while maintaining enough force to close doors securely. The 422 is one closer and track assembly that can support up to four installation positions and has a unique arm to simplify installation.

Ideal for applications where both security and accessibility are a priority.

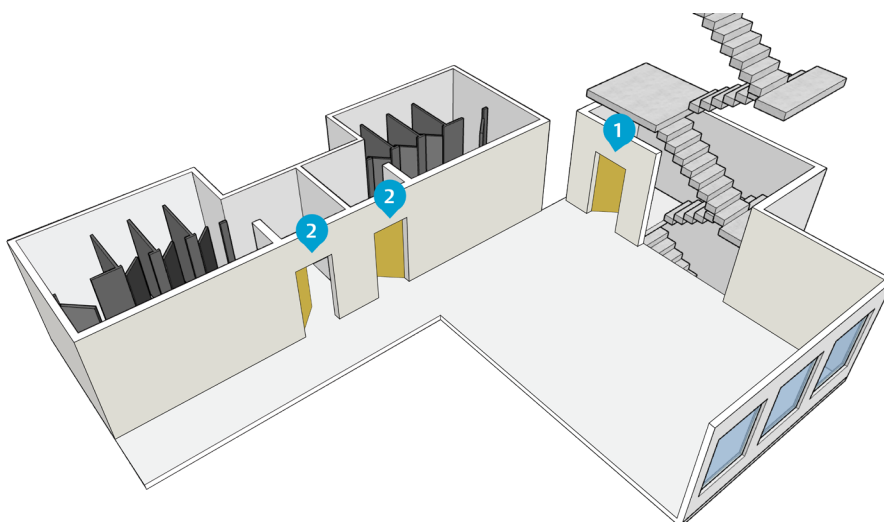


FEATURES

- Cast aluminum body
- Adjustable spring size 1 through 6
- Door weight: 250 lbs.
- Non-handed
- Unique spline arm
- Push and pull side installation, door or frame mounted
- Hold open; specify 422 CTHB2
- Sex nuts (optional)
- Adjustable closing force
- Adjustable closing and latching speed
- Backcheck standard
- Door size:
 - Suitable for exterior and interior doors
 - Recommended maximum interior door width 54" (137)
 - Standard opening range: Pull Side = 140°, Push Side = 110°
- 30-year limited warranty

BENEFITS

- One model - four mounting options
- Easy to open
- Reliable closing
- Forward facing valves
- High efficiency
- Flexible:
 - Spline arm offers multiple indexing options to accommodate standard and special applications
 - 1/2" vertical adjustment



Security

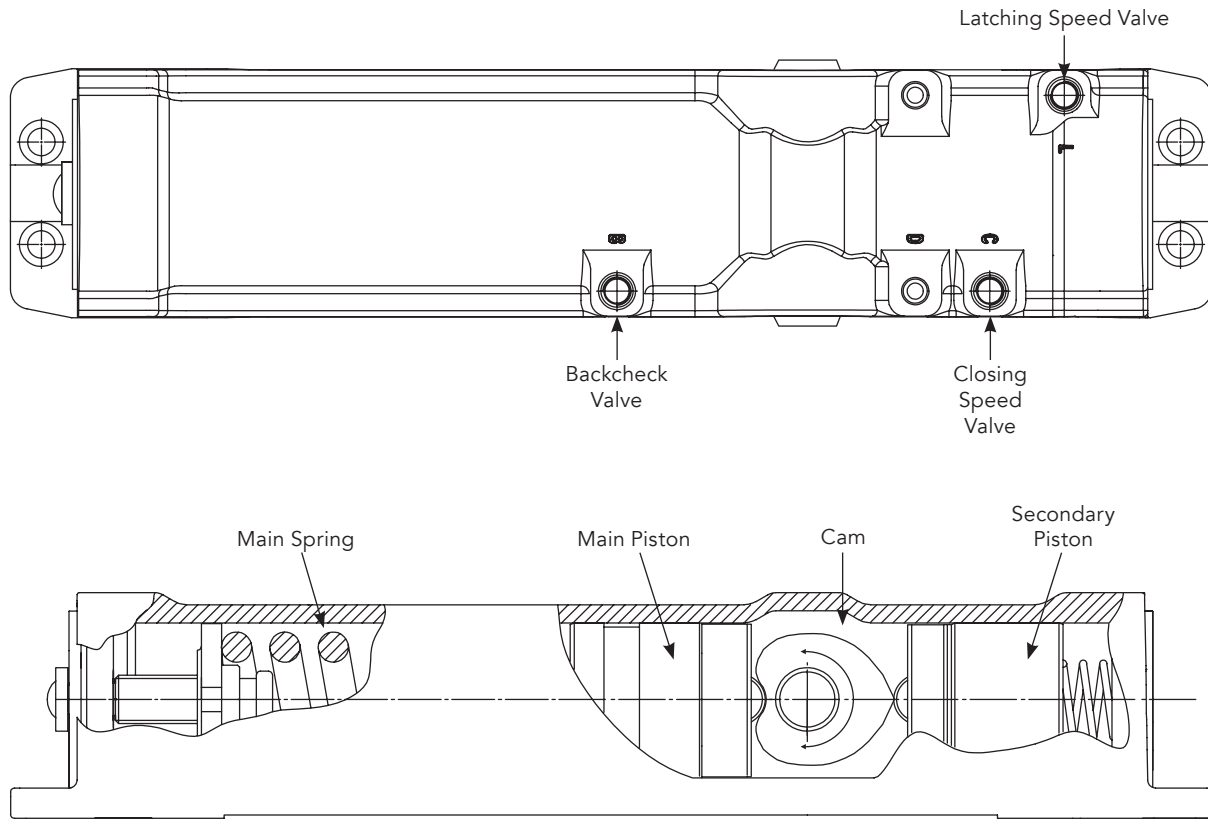
The 422 provides reliable closing where safety is a priority, without sacrificing convenience.






Accessibility

Comfortable opening eases everyone's passage through frequently-used doors.

Overview, Certifications



CERTIFICATIONS

- ANSI/BHMA A156.4, Grade 1 
- Americans with Disabilities Act (ADA) Compliant 
- Trade Agreement Act (TAA)
- UL10C positive pressure up to 3 hours 
- UL-cUL listed

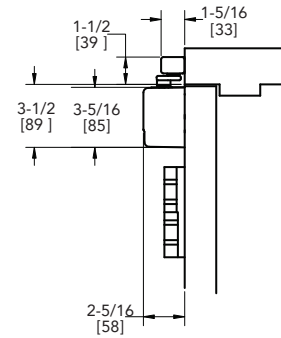
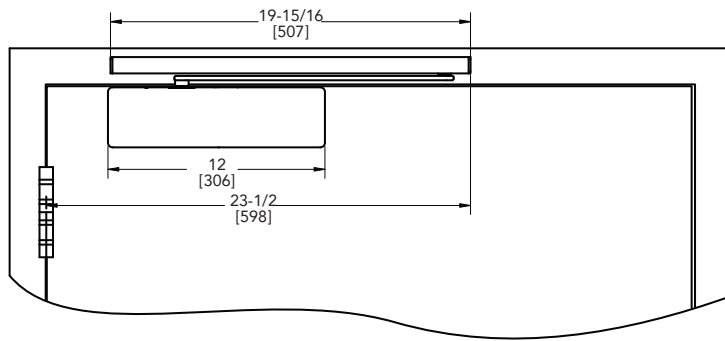
CAUTION: Door Closers for Low Opening Force Applications:

Door closers installed in openings required to meet the requirements of the Americans With Disabilities Act or ANSI/BHMA Standard A117.1, when adjusted to meet those requirements, may not provide adequate closing power to dependably close and latch the door based on opening or site conditions.



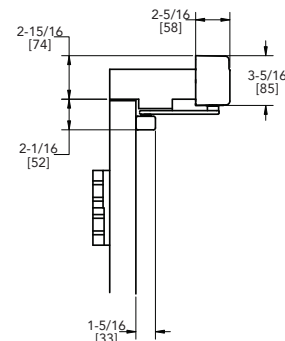
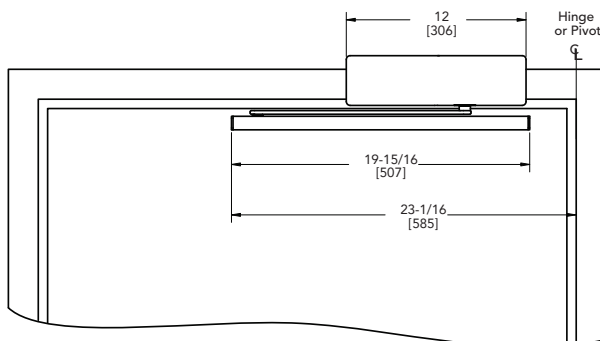
Pull Side, Door Mounted

- 140° swing (trim permitting)
- Hold open model, specify 422 x CTHB2



Push Side, Frame Mounted

- Maximum frame reveal is 4" (102mm)
- An auxiliary door stop is required
- 110° swing (trim permitting) without spring stop
- If hold open required, consult factory

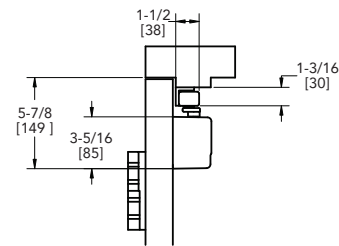
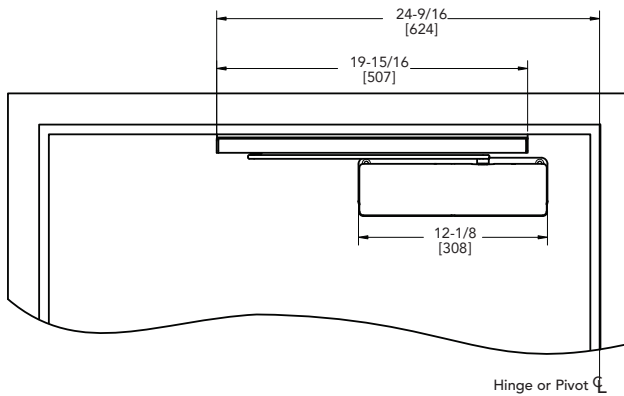


Optional Applications



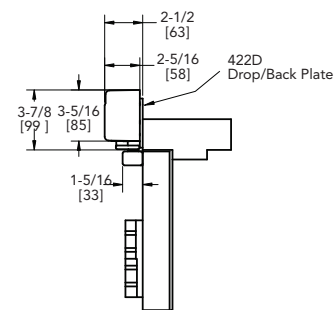
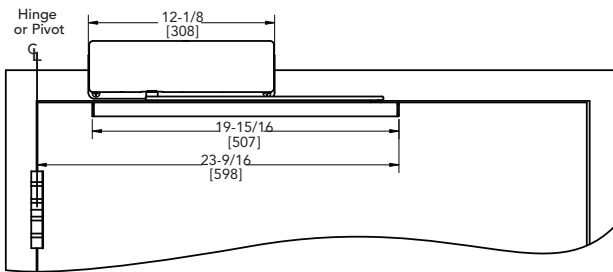
Push Side, Door Mounted

- Minimum frame reveal is 1-1/2" (13mm)
- 110° swing (trim permitting)
- 63-0853-EN slide track angle bracket is required for push side, door mount installation.
- To order closer packed with 63-0853-EN, specify 422 PCTB2 (non-hold open) or 422 PCTHB2 (hold open).
- Note: if the 422 CTB2 (non-hold open) or 422 CTHB2 (hold open) is ordered, the angle bracket is not included and must be ordered separately.

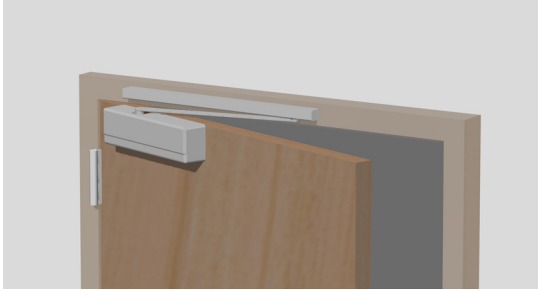


Pull Side, Frame Mounted

- 140° swing (trim permitting)
- 422D back plate required if frame face is less than 3" (sold separately)
- Hold open model, specify 422 CTHB2



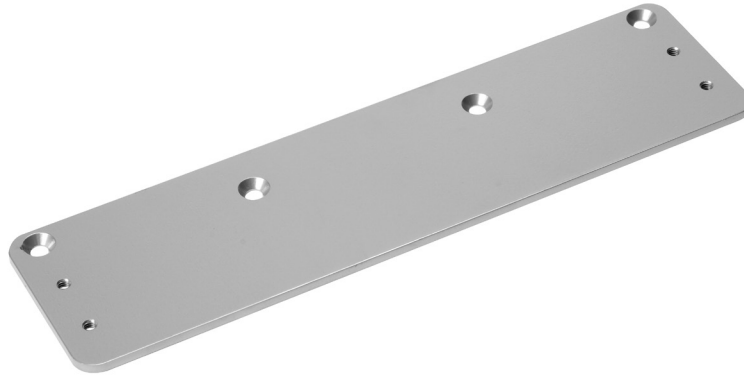
Copyright © 2005-2026, SARGENT Manufacturing Company. All rights reserved. Reproduction in whole or in part without the express written permission of SARGENT Manufacturing Company is prohibited. Patent pending and/or patent: www.assaabloyds.com/patents.



Inclusive Restroom Function: A standard 422 closer can be configured for an inclusive restroom application, commonly known as the telephone booth, with a minor adjustment during the installation process. See the installation instructions for specific details. When configured, the closer functions as follows:

- Closer normally holds door open at approximately ten (10) degrees; standard spline arm allows degree of hold open to be adjusted up or down
- Upon entering room, a user can push or pull the door closed
- When a user exits the room, the closer allows the door to open normally and returns the door to the preset position
- The standard cushion stop block and optional hold open assembly can be installed in the track to provide additional door control

422D Drop/Back Plate: For use where the narrow top rail of the door prevents the closer from being mounted directly to the door surface. This drop plate must be used for closer mounted on a top rail between 1-7/8" and 3-3/8" (48 and 86mm) in height.



63-0853-EN - Slide Track Angle Bracket



Copyright © 2005-2026, SARGENT Manufacturing Company. All rights reserved. Reproduction in whole or in part without the express written permission of SARGENT Manufacturing Company is prohibited. Patent pending and/or patent: www.assaabloyds.com/patents.

Architectural Specifications

ARCHITECTURAL SPECIFICATIONS

Door Closers, Surface Mounted (Cam Action):

- ANSI/ BHMA 156.4, Grade 1 Certified Products Directory (CPD) listed surface mounted, high efficiency door closers with complete spring power adjustment, sizes 1 thru 6; and fully operational adjustable according to door size, frequency of use, and opening force.
- Closers to be of the cam and roller design, one piece cast aluminum silicon alloy body with adjustable backcheck and independently controlled valves for closing sweep and latch speed.
- Door closer to have adjustable hold open position with an on/off selector.
- Non-hold open units to be U.L. Listed for self-closing door.
- Unit to be in compliance with the requirements of the Americans With Disabilities Act (ADA). ANSI standards A117.1.
- Units to meet C-UL US.
- Closers to carry a 30-year warranty

GENERAL INFORMATION

NOTE:

- Door closer warranty becomes void if the closer is installed on the exterior side of a door in the exterior wall of a building.
- It is strongly recommended, and may be required on fire door assemblies, that doors having a door closer be hung on ball-bearing or anti-friction hinges or pivots. Consult local authority having jurisdiction.
- Failure to use fasteners supplied with closer may void factory warranty.
- Fasteners for fire/smoke door assemblies must conform to NFPA 80. In some applications additional fasteners may be mandated by NFPA 80 that are not shipped with standard SARGENT product, such as sleeve-nuts/sex-nuts or thru bolts and grommet nuts.
- Information provided is based on 1-3/4" (44mm) x 7' (2.13m) standard weight doors swinging to 110°. Other conditions (such as door height or weight; or wind/draft conditions) may require adjustment of spring setting, selection of a larger size closer or different closer.

HOW TO ORDER

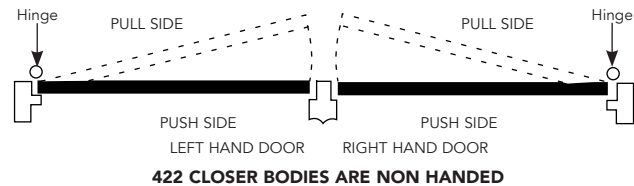
Options	Series	Closer Arm	Finish	Hand
36- MC- TB-	422	CTB2 CTHB2 PCTB2 PCTHB2	EB ED EN EP EAB 03* 04* 09* 10* 10B* 10BE* 10BL* 15* 20D* 26* 26D*	LH RH

OPTIONS AVAILABLE

Specify	Detailed Description
36-	Security Torx Screws
MC-	Metal Cover (Specify Handing)
TB-	Through Bolt (1-3/4" Std) For others, specify TB- & door thickness

Note:

- Metal covers available in plated finishes*.
- When MC- is added to a plated finish, the MC- option indicates that only the cover is to be plated, the arms and tracks will be powder coated to match.
- Lead Line Covers are available
How to Order: 422 x CTHB x EN x RH x Lead Line Cover.
Orders will be handled as "special".
- Consult installation instructions, 63-8386-6000-999, for handing on metal covers.



How To Order Accessories	Example
For individual parts and assemblies, please check the price book for availability and pricing.	
Cover	Specify: 422C x finish
Metal Cover	Specify: 422CMC x finish x hand
Closer Body only	Specify: CB-422

Note: When complete closer assembly is ordered with an accessory, order accessory as a separate item

Copyright © 2005-2026, SARGENT Manufacturing Company. All rights reserved. Reproduction in whole or in part without the express written permission of SARGENT Manufacturing Company is prohibited. Patent pending and/or patent: www.assaabloyds.com/patents.

FINISH OPTIONS

Finishes	ANSI/BHMA	Description
EB	695	Bronze powder coated to match finish 10B
EN	689	Aluminum powder coated
ED	693	Black powder coated to match finish 20D
EAB	696	Brass powder coated
EP	691	Bronze powder coated to match finish 10
03	605	Bright brass, clear coated
04	606	Satin brass, clear coated
09	611	Bright bronze, clear coated
10	612	Satin bronze, clear coated
10B	613	Dark oxidized satin bronze, oil rubbed
10BE	613E	Dark oxidized satin bronze - equivalent
10BL	614	Oxidized satin, bronze, clear coated
15	619	Satin nickel, clear coated
20D	624	Statuary dark bronze, clear coated
26	625	Bright chromium plated
26D	626	Satin chromium plated

PARTS

Part No.	Description
25 CTB2	Track and Arm Assembly, Non-Hold Open
25 CTHB2	Track and Arm Assembly, Hold Open
422D	Drop/Back Plate
63-0853-EN	Slide Track Angle Bracket
63-4471	Cushion block
63-4472	Hold open assembly
63-4466	Closer Screw Pack
63-4470	Spline Screw Pack
63-4467	Track Screw Pack
63-4473-EN	Sex Nut Package: 1-3/4" Door Thickness
63-4474-EN	Sex Nut Package: 2-1/4" Door Thickness
63-4436*	Torx [®] Security Screw Package

*Sex nuts included

The ASSA ABLOY Group is the global leader in access solutions. Every day, we help billions of people experience a more open world.

ASSA ABLOY Opening Solutions leads the development within door openings and products for access solutions in homes, businesses and institutions. Our offering includes doors, frames, door and window hardware, mechanical and smart locks, access control and service.

SARGENT[®]
ASSA ABLOY

SARGENT Manufacturing Company
100 Sargent Drive
New Haven, CT 06511 USA
800-727-5477
www.sargentlock.com

Founded in the early 1800s, SARGENT[®] is a market leader in locksets, cylinders, door closers, exit devices, electro-mechanical products and access control systems for new construction, renovation, and replacement applications. The company's customer base includes commercial construction, institutional, and industrial markets.

Copyright © 2005-2026, SARGENT Manufacturing Company. All rights reserved. Reproduction in whole or in part without the express written permission of SARGENT Manufacturing Company is prohibited. Patent pending and/or patent www.assaabloydss.com/patents.