

Rockwood PDU8000 Series Panic Device Order Form

Experience a safer
and more open world

Complete this form and email / fax to: Orders.GlassSolutions@assaabloy.com / 844.851.8665
Canada: Complete this form and email / fax to: Orders.dss.ca@assaabloy.com / 800.461.8989

Customer Information

Contact Name: _____ Date: _____
Company Name: _____ PO #: _____
Street Address: _____ Phone/Fax: _____ / _____
City/State/Zip: _____ Email: _____
Architect Name: _____ Job Name and Location: _____

* Please provide US customary fractional numbers only.

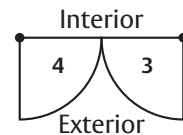
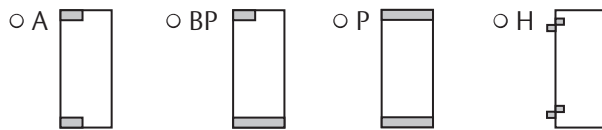
Quote #: _____ Total Devices: _____ Single Pair Door Markings: _____

Glass Thickness: 1/2" 3/4" Other: _____

Specify Handing (check both for pairs):

4 (LHR) 3 (RHR)

Door Type:



Balanced Door: Yes No

2-Piece Panic: Yes No

Description of Top Rail: Standard Profile Low Profile (less than 3" tall)
Rail Thickness: _____ (if not supplied by ASSA ABLOY)

Description of Bottom Rail: Standard Profile Low Profile (less than 3" tall)
Rail Thickness: _____ (if not supplied by ASSA ABLOY)

Actual Door Size¹: W: _____ H: _____

Note: Actual/Net Door Size dimensions need to be actual/net door leaf size not a general opening size. Door gaps should NOT be included in these dimensions above.

Jamb Condition (Pivot Side of Door): Sidelites Frame (specify width): _____ Wall
(Required if jamb condition is frame or wall) Pivot Distance Increased to 3 1/2" Manufacturer Decreases Horiz.

Distance Between Centerline of Crash Bar to Bottom of Door:

37" 42" Other: _____

Finish Options² (For both Panic Device and Mating Pull):

US32/629 US32D/630 US32316 US32D316 US32DMS US32D/US32 (Push) BSP
 WSP 314E 4E 10BE Stock Powder Coats (specify): _____

Engraved "PUSH" Area Finish Options:

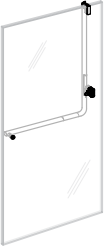

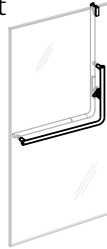
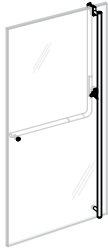




Black Paint White Paint
 Less Paint (32 and powder coat only) Custom Color (specify): _____

¹Top door gap must be no less than 3/16".

²Powder Coat options may not be tested to BHMA finish standards.

The ASSA ABLOY Group is the global leader in access solutions. Every day we help people feel safe, secure and experience a more open world.

Mating Pull for Exterior Side:

| | | | |
|---|---|---|--|
| <p><input type="radio"/> 0-No Mating Pull</p>  | <p><input type="radio"/> 1-Full Height L Shape</p> <p>Degree of Swing:</p> <ul style="list-style-type: none"> <input type="radio"/> 90° <input type="radio"/> 105°  | <p><input type="radio"/> 2-Half Height L Shape</p> <p>Degree of Swing:</p> <ul style="list-style-type: none"> <input type="radio"/> 90° <input type="radio"/> 105°  | <p><input type="radio"/> 3-Full Height Straight</p> <p>Bottom of Ext Pull:</p> <ul style="list-style-type: none"> <input type="radio"/> Full Height <input type="radio"/> _____" up from bottom of door*  |
| <p><input type="radio"/> 4-Half Height Straight</p>  | <p><input type="radio"/> 5-Short Centered Straight</p> <p>Exterior Pull Length:</p> <ul style="list-style-type: none"> <input type="radio"/> Standard (19 1/4") <input type="radio"/> Custom Length: _____ (Minimum is 19 1/4")  | <p><input type="radio"/> 5-Extended**</p> <p>Exterior Pull Length:</p> <p>_____"</p> <p>_____ "from top of door to top of pull</p>  | <p><input type="radio"/> 6-Horizontal Straight</p> <p>Degree of Swing:</p> <ul style="list-style-type: none"> <input type="radio"/> 90° <input type="radio"/> 105°  |

**5-Extended, the mating pull will extend below the crash bar - requires additional bottom post.

Custom RM Mating pull option (provide RM part number): _____

*Minimum of 10" clearance from the floor on the mating pull side to prevent interference with wheelchairs and other mobility devices.

Cylinder Options:

- | | | |
|---|--|--|
| <input type="radio"/> 01 – Mortise Cylinder | <input type="radio"/> 02 – 7-pin SFIC Housing w/Plastic Core | <input type="radio"/> †03 – Special Order (keyed alike) |
| <input type="radio"/> 04 – Customer Sending Cylinder to Factory | <input type="radio"/> 05 – Dummy Cylinder Housing | <input type="radio"/> 06 – Non-Keyed Function ⁵ (Blank Escutcheon Plate provided) |
| Length of Cylinder: _____ | <input type="radio"/> 09 – 7 pin SFIC w/ACCENTRA Core (standard) | |
| | <input type="radio"/> **10 – Customer Swapping in Field | |

**Cylinder rings will be provided for cylinder lengths up to 1 5/8". If cylinder length is greater than 1 5/8", please contact factory.

Dogging Feature: Yes (standard) No Security

Bent End Return on Panic Free End: Yes No (standard)

Strike Options (Check all that apply. See website for strike templates):

- | | | | | |
|------------------------------|-------------------------------------|-------------------------------------|--|---|
| <input type="radio"/> Manual | <input type="radio"/> 1600 Electric | <input type="radio"/> 310 Electric: | <input type="radio"/> Fail Safe or <input type="radio"/> Fail Secure | <input type="radio"/> Strike Purchased Separately |
| | <input type="radio"/> 9100 Electric | | <input type="radio"/> 12V or <input type="radio"/> 24V | |
| | <input type="radio"/> 9200 Electric | | <input type="radio"/> AC or <input type="radio"/> DC | |

Monitoring: LM – Lock Monitor (Optional on 1600) LCBMA – Latch Bolt Monitoring (Optional on 310)

LMS – Latch Strike Monitoring (Optional on 9100/9200) REX* (can combine with LM, LMS, and LCBMA)

*REX - Only available on rail mounted openings. Not compatible with 2 3/4" door rails.

WARNING: Be advised that use of unauthorized non- ASSA ABLOY products or parts such as strikes in conjunction with this product and/or installation outside GANA guidelines will void the warranty and any manufacturer owned liability, as well as decertify to UL305 and ANSI156.3 compliance.

Strike Finish Options:

- | | | | | | |
|--------------------------------|---------------------------------|--------------------------------|-------------------------------|---|---------------------------|
| <input type="radio"/> US32/629 | <input type="radio"/> US32D/630 | <input type="radio"/> US32D316 | <input type="radio"/> US32316 | <input type="radio"/> US32DMS | <input type="radio"/> BSP |
| <input type="radio"/> WSP | <input type="radio"/> 314E | <input type="radio"/> 4E | <input type="radio"/> 10BE | <input type="radio"/> Stock Powder Coats (specify): _____ | |

Consult local building codes for ADA compliance. Industry standards recommend crash bar and cylinder fall in between 34" and 48".

This device is tested and listed to UL 305 and BHMA 156.3-2020 standards under Rockwood Manufacturing Company, an ASSA ABLOY Group company.

⁵Only available on No Mating Pull and Horizontal Straight Mating Pull options.

†03 Cylinder option add on charge will apply. 4 week minimum lead time.