

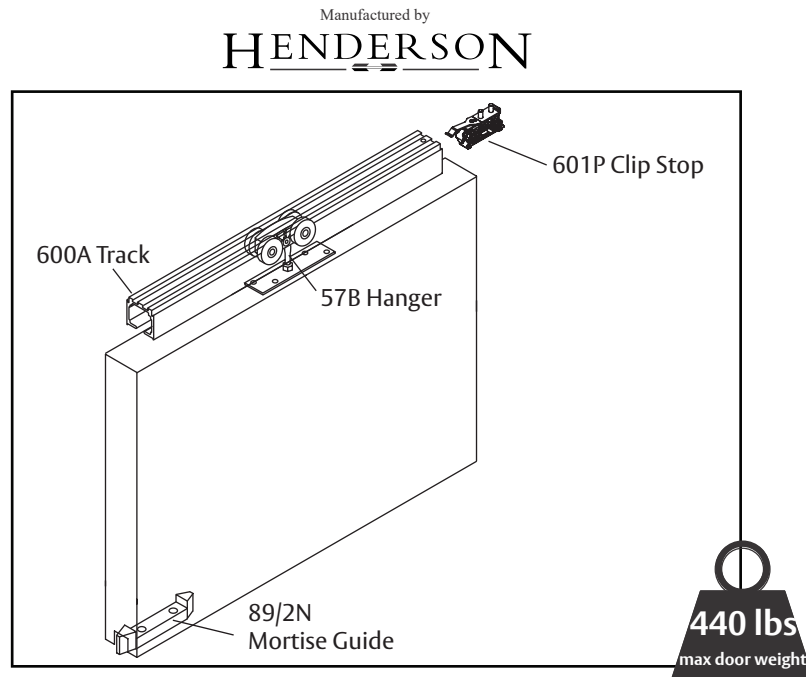
# Architectural Door Accessories

**ASSA ABLOY**  
Opening Solutions

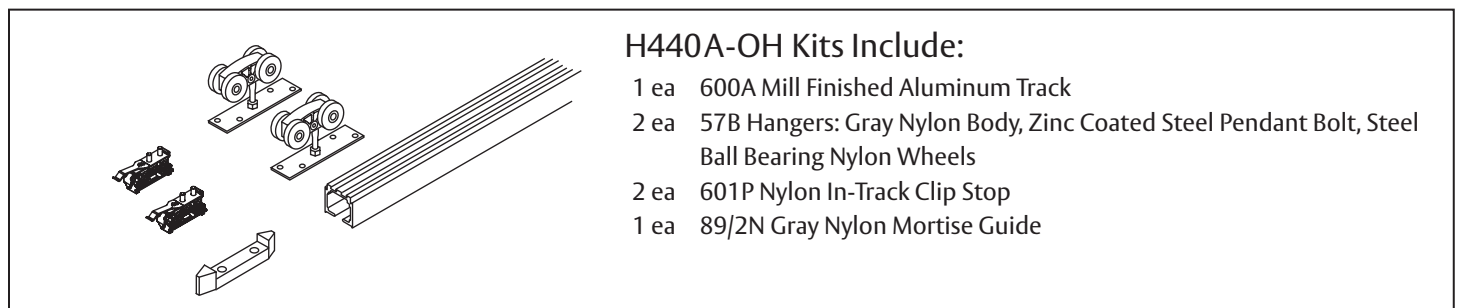
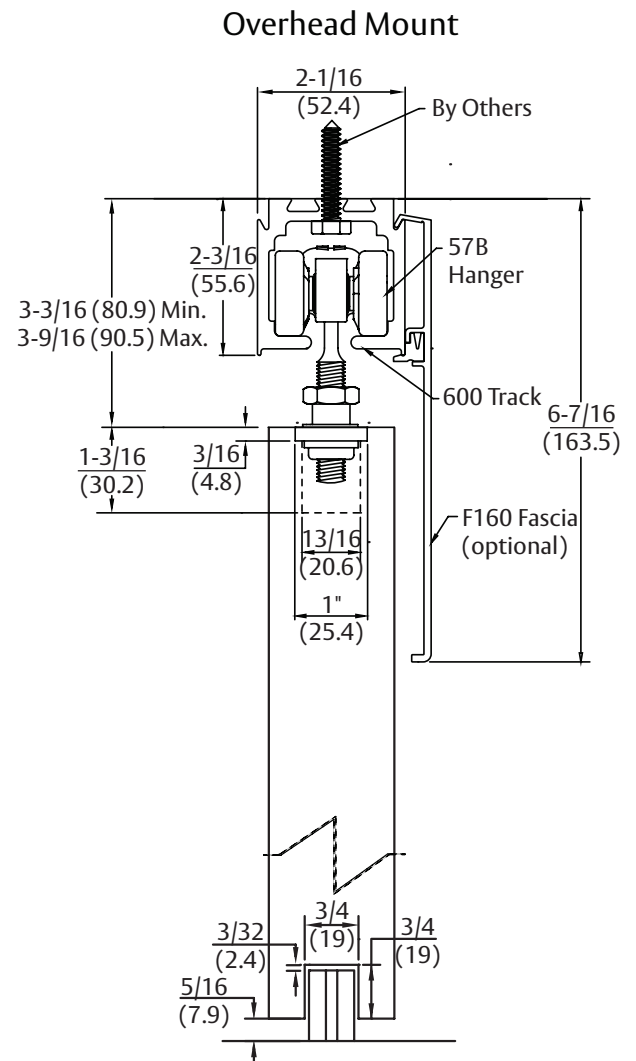
## Pemko H440A-OH Sliding Door Hardware

Experience a safer  
and more open world

Door Leaf Capacity - Up to 440 lbs.



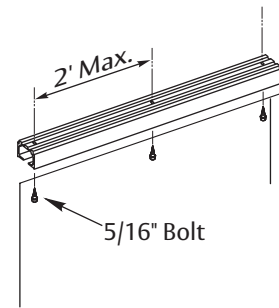
Part Number	Material	Track Length	Door Width
H440A-OH/6	Aluminum	72"	36"
H440A-OH/8	Aluminum	96"	48"
H440A-OH/10	Aluminum	120"	60"
H440A-OH/12	Aluminum	144"	72"



## 1. Secure track.

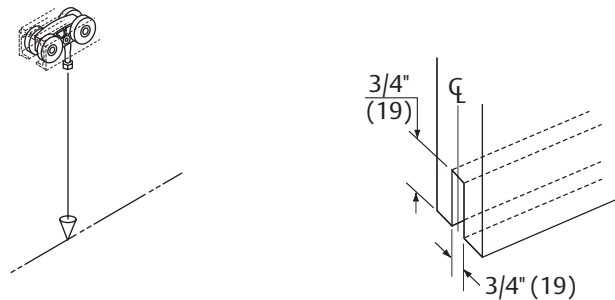
Secure track at each end. Bolts should be no more than 2' (61m) from each end and centered on track.

Ensure track is plumb and level.

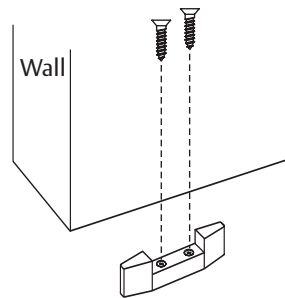


## 2. Mortise door for door guide.

Attach a plumb line to hanger. Remove one end bracket. Place hanger inside track. Using plumb line, mark the centerline of door guide.

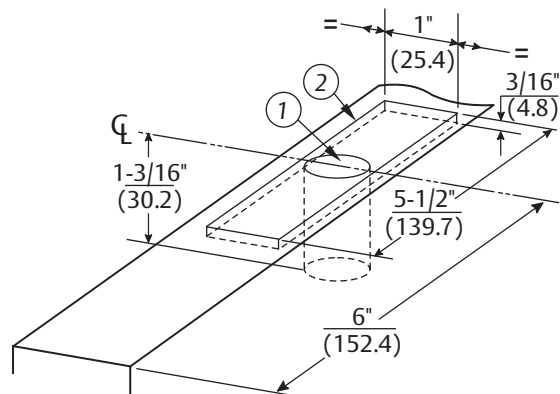


## 3. Fit door guide to floor.

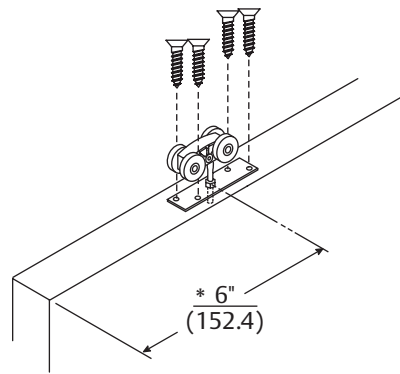


## 4. Prepare top of door for hanger hardware.

- ① Drill  $1\frac{3}{16}$ " (20.6) dia. x  $1\frac{3}{16}$ " (30.2) deep hole 6" (152.4) from door edge to centerline of hole and centered in thickness of door.
- ② Route door for  $\frac{3}{16}$ " (4.8) thick,  $5\frac{1}{2}$ " (139.7) long, and 1" (25.4) wide plate centered on centerline of hole and thickness of door.



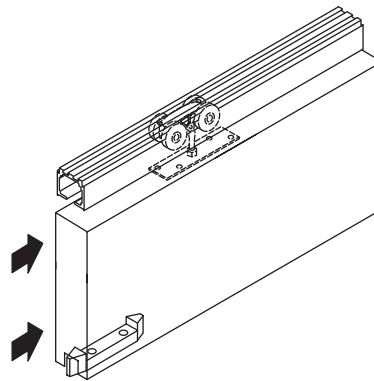
5. Attach hangers to doors.



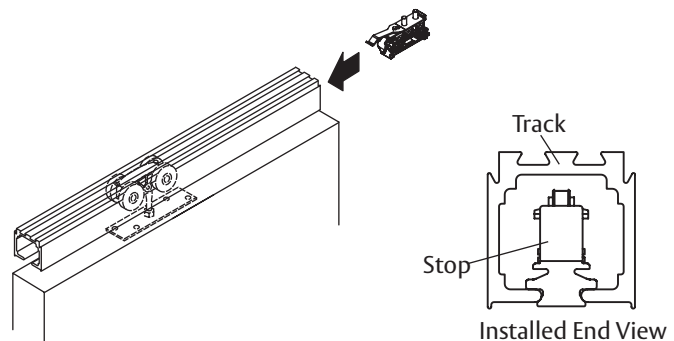
\*From door edge to centerline of hanger bolt and plate.

6. Hang door.

Slowly guide complete door unit into track using installed floor guide.



7. Position and secure clip stops.

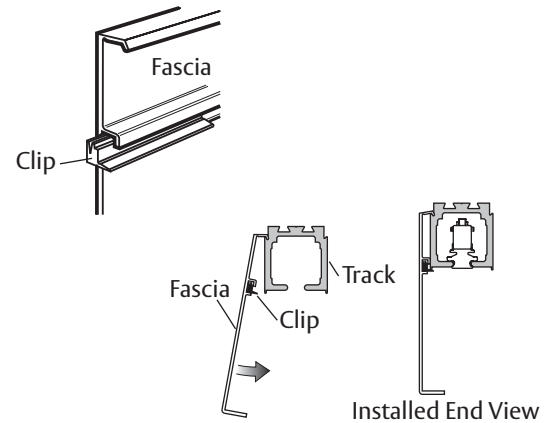


## 8. Optional fascia installation:

1. Insert polymer clips provided into fascia in correct orientation.

Ensure that clips are placed approximately 24" - 36" (61cm - 91cm) intervals along length of fascia.

2. Hook fascia onto track and push firmly into place. Ensure all clips are engaged to track.



### **IMPORTANT:**

Visually check all bolts and screws; tighten if necessary.  
If access door is installed, check operation.  
Check operation of doors for ease.

- Door catches floor guide: Check that the track is level. Ensure that the track and floor guide are parallel to within  $\pm 1/8"$  (3).
- Door scrubs: Check that the door is level on hangers.
- Door moves while in operation: Check hangers are installed correctly.