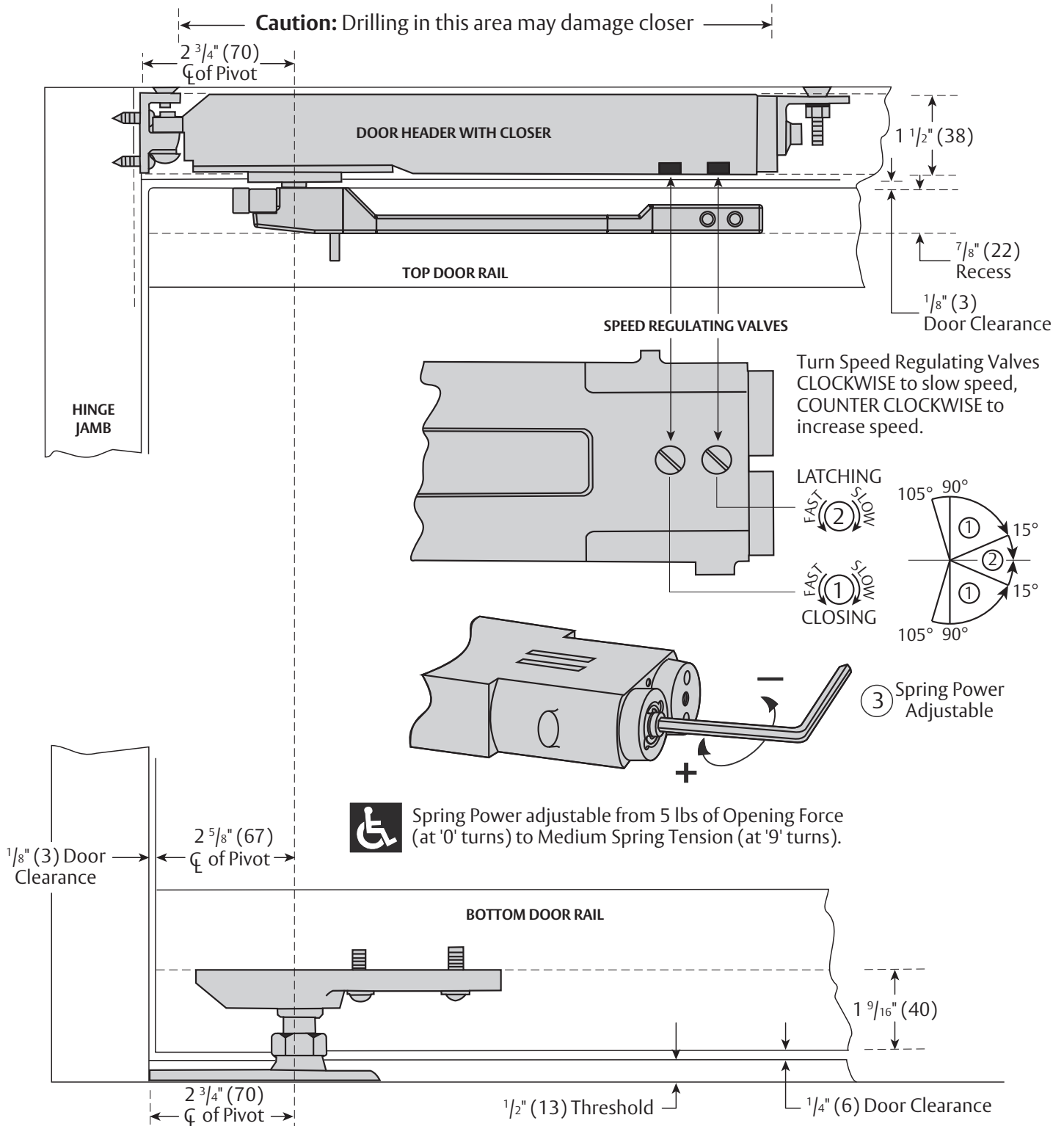


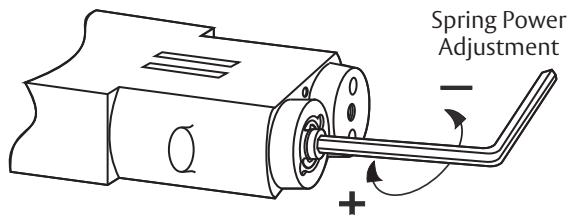
609 Series Concealed Overhead Closer Installation Instructions

Experience a safer
and more open world

Center Hung • Double or Single Acting • End Loading



1. Spring Power

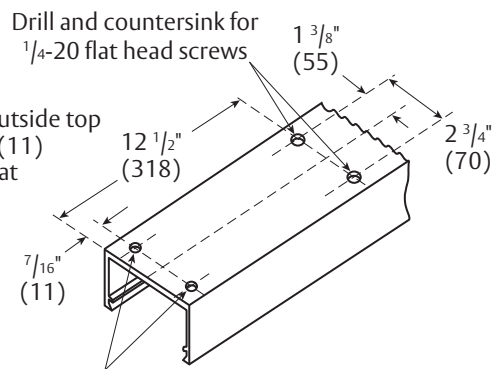


Size	Number of Turns	Direction	Interior Maximum Width	Exterior Door Maximum Width
1	0	Factory Preset	30"	5 lb Opening Force
2	3	Clockwise (+)	34"	30"
3	9	Clockwise (+)	38"	34"

2. Door Header & Cover Plate

Door Header

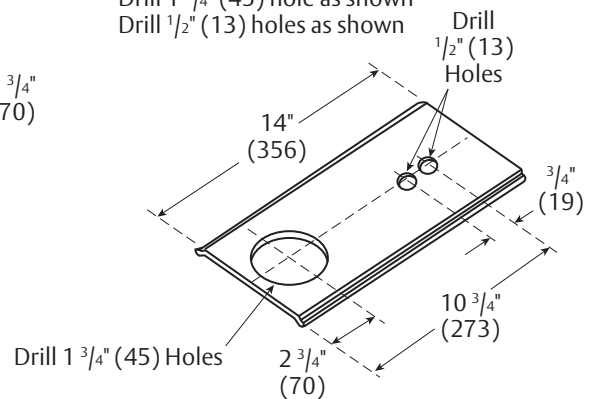
Drill and countersink outside top surface for 10-32 x 7/16" (11) and 1/4-20 x 1 1/4" (32) flat headscrews as shown



Drill and countersink for 10-32 flat head screws

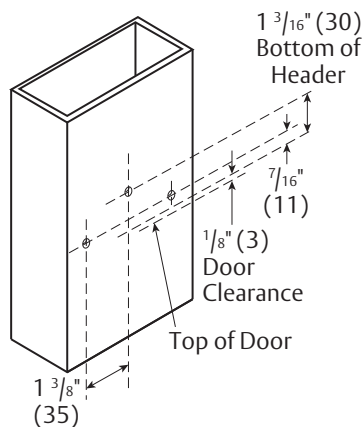
Cover Plate

Drill 1 3/4" (45) hole as shown
Drill 1/2" (13) holes as shown

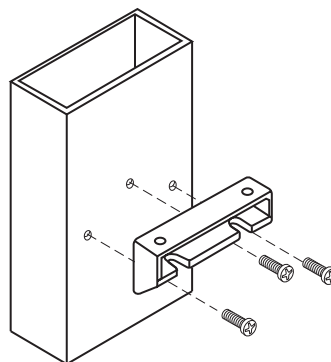


3. Hinge Jamb

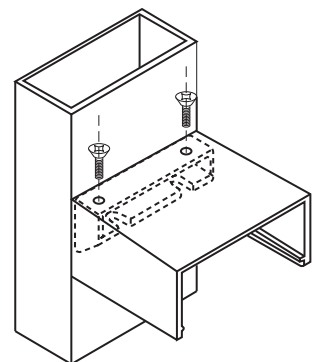
a. Drill holes for #10 pan head self-threading screws as shown.



b. Install anchor using #10 x 9/16" pan head self-threading screws.



c. Mount door header on anchor using 10-32 x 7/16" flat head self-tapping screws.

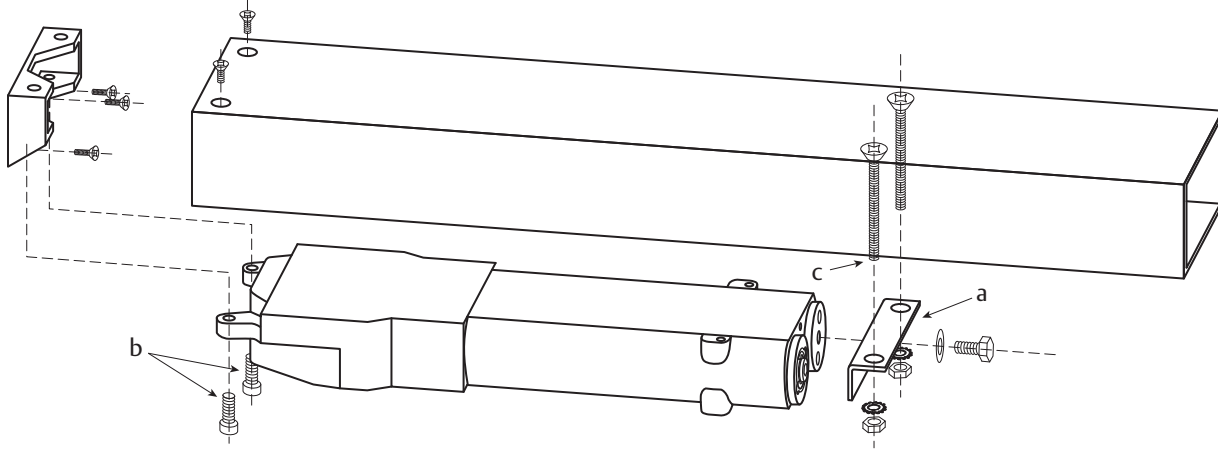


ASSA ABLOY
Opening Solutions

Experience a safer
and more open world

4. Angle Bracket

- Attach angle bracket to closer cylinder end with (1) $\frac{1}{4}$ -20 x $\frac{1}{2}$ " hex cap screw.
- Install closer into header by inserting tabs into anchor bracket and securing with (2) $\frac{1}{4}$ -20 x $\frac{5}{8}$ " pan head screws.
- Bring closer body up with angle bracket onto (2) $\frac{1}{4}$ -20 flat head machine screws sticking down from top of header. Secure with washers and nuts on bottom of angle bracket.



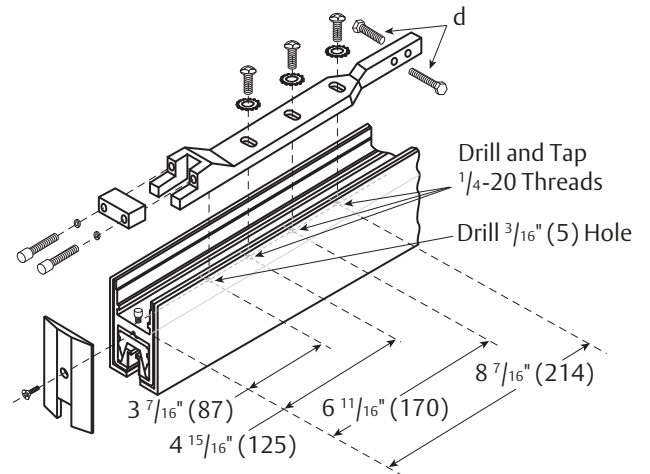
5. Top Door Rail - End Loading

"PT" Type end Loading Arm

- Drill or drill and tap holes in top of door as shown.
- Position arm in door by placing arm pin in $\frac{3}{16}$ " (5) hole.
- Install arm using three $\frac{1}{4}$ -20 x $\frac{7}{8}$ " pan head machine screws and lock washers.
- Center arm in the top rail by adjusting the two $\frac{1}{4}$ -20 x 1" hex head centering bolts.

NOTE: After door is installed, the two $\frac{1}{4}$ -20 x 1" socket head clamp bar cap screws with lock washers must be tightened securely.

*ASSA ABLOY DRS-4AC rail shown.

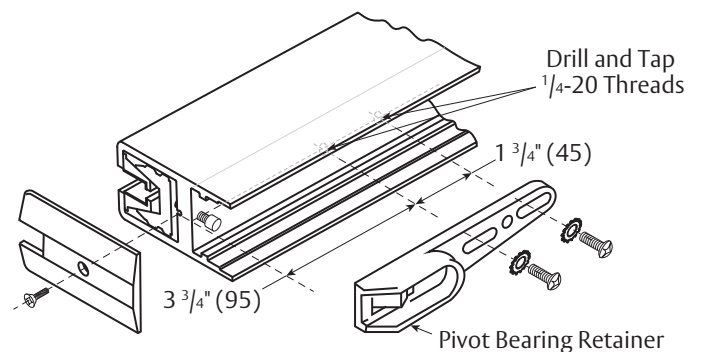


6. Bottom Door Rail - End Loading

- Drill and tap $\frac{1}{4}$ -20 holes in bottom rail of door as shown.
- Install pivot bearing retainer in bottom of door using two $\frac{1}{4}$ -20 x $\frac{5}{8}$ " pan head machine screws and lock washers.
- Laterally adjust center of pivot bearing retainer $2\frac{5}{8}$ " (67) from hinge edge of door and tighten screws securely.

NOTE: For doors with 1" (25) bottom rail depth, pivot bearing stud must be shortened by sawing off at score $\frac{1}{2}$ " (13) from bottom.

*ASSA ABLOY DRS-4AC rail shown.



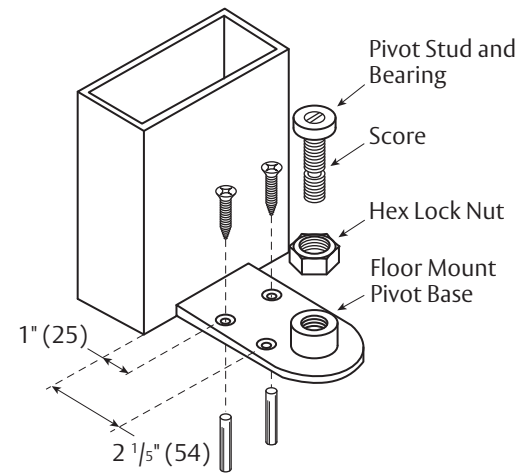
ASSA ABLOY
Opening Solutions

Experience a safer
and more open world

7. Floor Mount Pivot

- Center pivot base against door jamb on hinge side.
- Mark and drill $\frac{1}{4}$ " (6) holes $1\frac{1}{2}$ " (38) deep in floor for plastic expansion plugs.
- Mount base using #12 x $1\frac{1}{4}$ " plastic expansion plugs and #12 x $1\frac{1}{4}$ " flat head all-purpose screws.
- Install pivot stud and bearing with $\frac{1}{2}$ -20 hex lock nut as shown, and adjust bearing height for proper door clearance and firmly tighten lock nut.
- When using threshold, drill $1\frac{1}{4}$ " (32) hole for clearance of pivot base on centerline $2\frac{3}{4}$ " (70) from hinge end of threshold.

NOTE: When threshold is not used, pivot bearing stud must be shortened by sawing off at score $\frac{1}{2}$ " (13) from bottom.



8. Threshold Mount Pivot

Threshold Mount Pivot

- Drill hole in threshold as shown.
- Install threshold adapter nut from top and secure with $\frac{3}{4}$ -16 hex jam nut underneath.
- Install pivot stud and bearing with $\frac{1}{2}$ -20 hex lock nut as shown.
- Adjust bearing height for proper door clearance.
- Firmly tighten lock nut.

