

# N° 197 and 197-1/4 Boltlock

## Auxiliary Deadbolt

### Installation Instructions

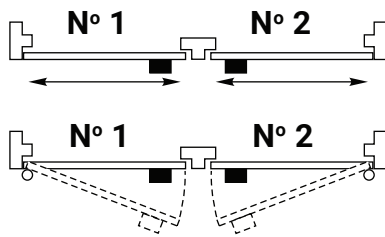
**ACCENTRA**

---

**ASSA ABLOY**

#### General Info

For wood doors 1-3/8" to 2-1/4" (35mm to 57mm) thick with wood frames.

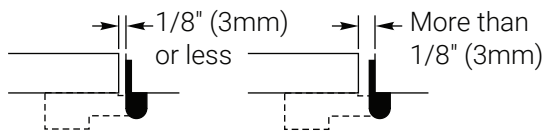


Use 197F Flat Strike and 97 Spacer Plate For Other Applications:

- Doors Opening Outward
- Hollow Metal Doors and Frames
- Pairs of Doors Opening Inward
- Pairs of Doors Opening Outward
- Pairs of Sliding Doors
- Sliding Doors on Outside of Frame

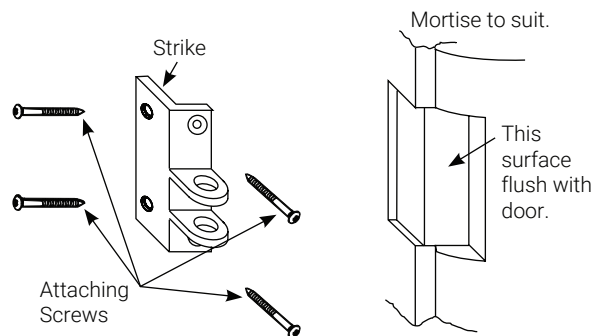
#### 1. Determine Strike Mount

A. Determine if strike is mortised or surface mounted. (See illustrations above.)



#### 2. Strike Installation

- A. Determine desired height of lock.
- B. Determine gap between door and frame.
- C. Install strike.



#### **⚠ WARNING**

This product can expose you to lead which is known to the state of California to cause cancer and birth defects or other reproductive harm. For more information go to [www.P65warnings.ca.gov](http://www.P65warnings.ca.gov).

#### **⚠ WARNING**

Attention Installer: Any retrofit or other field modification to a fire rated opening can potentially impact the fire rating of the opening, and ASSA ABLOY ACCENTRA™ makes no representations or warranties concerning what such impact may be in any specific situation. When retrofitting any portion of an existing fire-rated opening, or specifying and installing a new fire-rated opening, please consult with a code specialist or local code official (Authority Having Jurisdiction) to ensure compliance with all applicable codes and ratings.

80-9350-0003-000 01/24

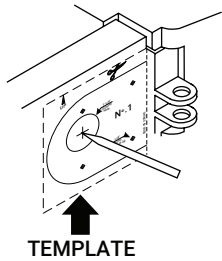
1-855-557-5078 • [www.accentra-assaabloy.com](http://www.accentra-assaabloy.com)

Copyright © 2018-2024, ASSA ABLOY Access and Egress Hardware Group, Inc. All rights reserved. Reproduction in whole or in part without the express written permission of ASSA ABLOY Access and Egress Hardware Group, Inc. is prohibited.

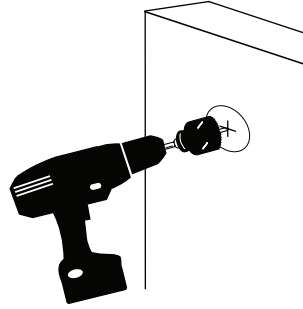
Experience a safer  
and more open world

### 3. Wood Door Prep

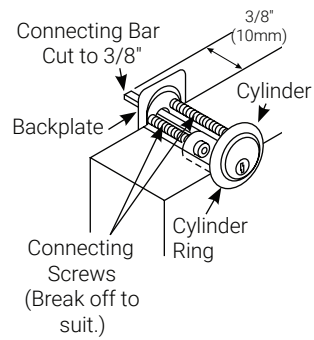
A. Mark door.



B. Drill holes.



### 4. Cylinder Installation



Connecting bar and screws available for 2-1/4" to 3-1/4" (57mm to 82mm) doors.

### 5. Lock Installation

For 197-1/4 Only - One Way Screws

- Temporarily attach lock to door with two (2) slotted screws.
- Check alignment and operation of lock.
- Install One-Way screws by replacing temporary screws.

