

Installation Instructions

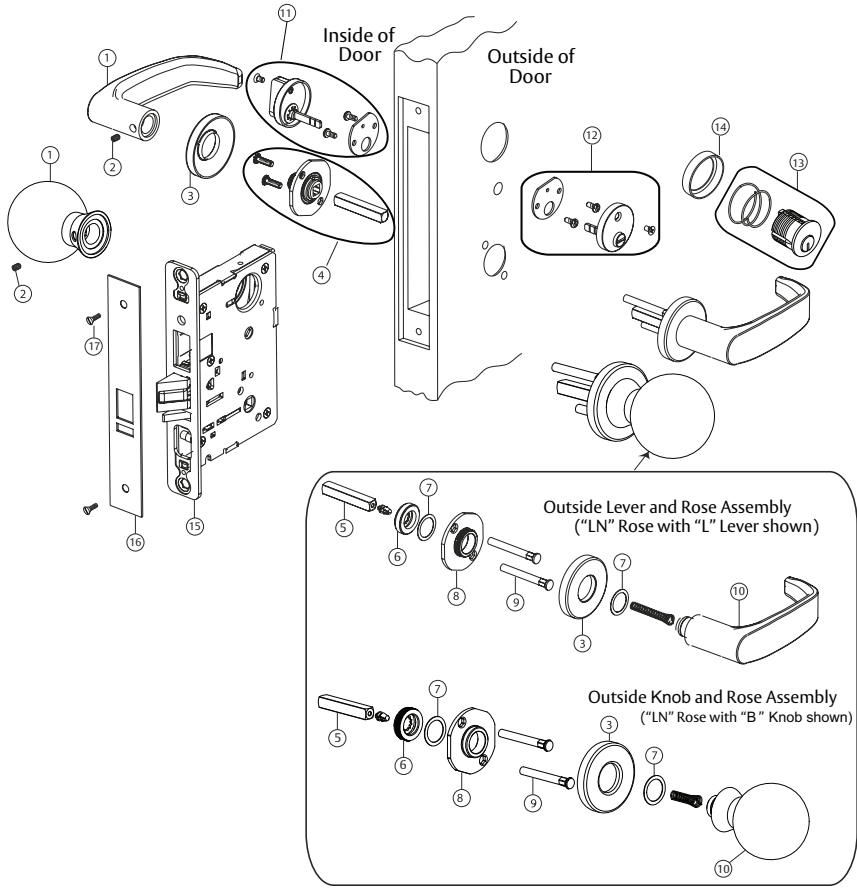
7800 Series Knob/8200 Series Lever

Mortise Locks

1 Tool Required

- Standard size Phillips screwdriver
- Flat tip screwdriver
- 1/8" Allen wrench

2 Product Components



	Part No.*	Description	Req.
1	Varies	Inside lever handle or knob – consult factory	1
2	—	Handle set screw 1/4-28 UNF	1
3	Varies	Rose	2
4	Varies	Inside adapter kit	1
5	82-0368	Spindle	1
6	82-0184	Cap nut	1
7	01-0079	Washer	2
8	Varies	Adapter and plate assembly	1
9	81-0723	Mounting post	2
10	Varies	Outside lever handle or knob – consult factory	1
11	Varies	Thumbturn lever assembly	1
12	Varies	Emergency button assembly	1
13	Varies	Cylinder collar and spring (function dependant)	1 or 2
14	Varies	Cylinder (function dependant)	1 or 2
15	Varies	Lockbody	1
16	Varies	Outside front	1
17	01-1028	Machine screw #8-32 x 1/4"	2

*Parts specified are for use with 1-3/4" thick doors."

3 Install Lock

1. Important – check template 7057 to prep door for function holes, size and location. Verify strike location according to template. Clean door pocket and verify hand of lock.
2. Slide lock in door.
3. Slide outside lever and rose assembly (or lever and escutcheon assembly) through door and lockbody.

NOTE:

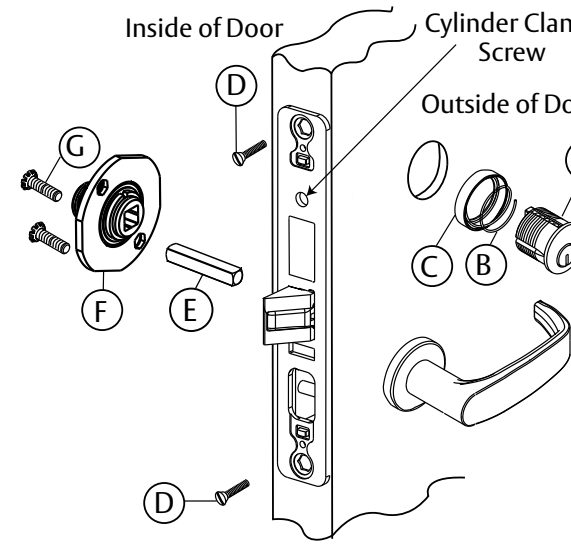
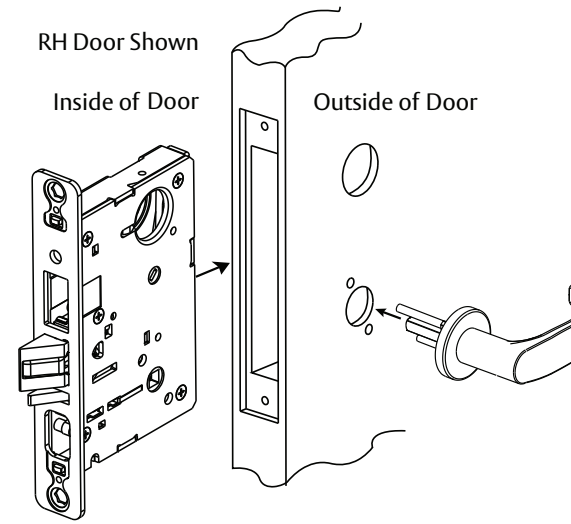
- Keep door open while installing lock.
- If installing trim one side, see separate instruction sheet.

4. Slide cylinder (A) through spring (B) and collar (C) (or escutcheon). Thread into lock until cylinder face is flush with collar (C) (or escutcheon) edge. Key slightly pulled out of cylinder will help thread cylinder.

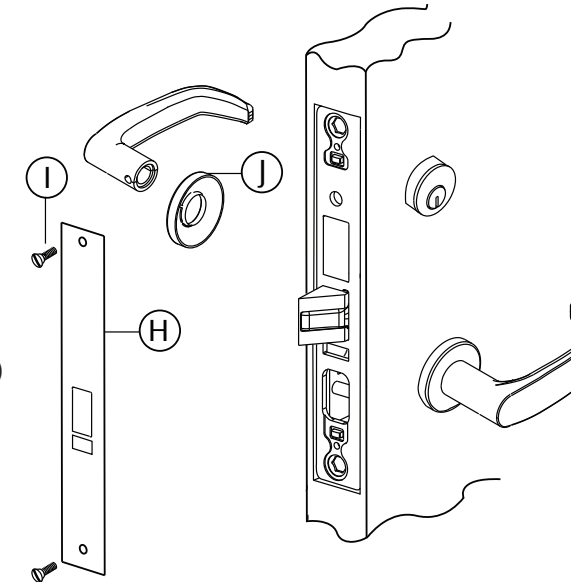
NOTE: SARGENT logo must be horizontal and on top portion of cylinder.

5. Tighten cylinder clamp screw by hand with #2 Phillips screwdriver.
6. Secure lock in door with two (2) wood screws #12 x 1-1/4" or machine screws #12-24 x 1/2" (D).
7. Slide spindle (E) into lockbody hub.
8. Slide adapter and plate assembly (F) over spindle and secure with two (2) #8-32 screws (G).

9. Screw rose (J) firmly onto adapter and plate assembly (F) (or attach escutcheon).
10. Attach inside lever and secure with 1/8" Allen wrench. Verify lock is operating correctly prior to closing door.
11. Assemble thumbturn/ emergency release according to instructions on bag.
12. Check for proper operation.
13. Attach outside front (H) with two (2) #8-32 x 1/4" flat head screws (I).



Interchangeable core cylinders require control key (stamped "C") to install. Must request separately. 1-bitted cylinders utilize a control key bitted 113511.

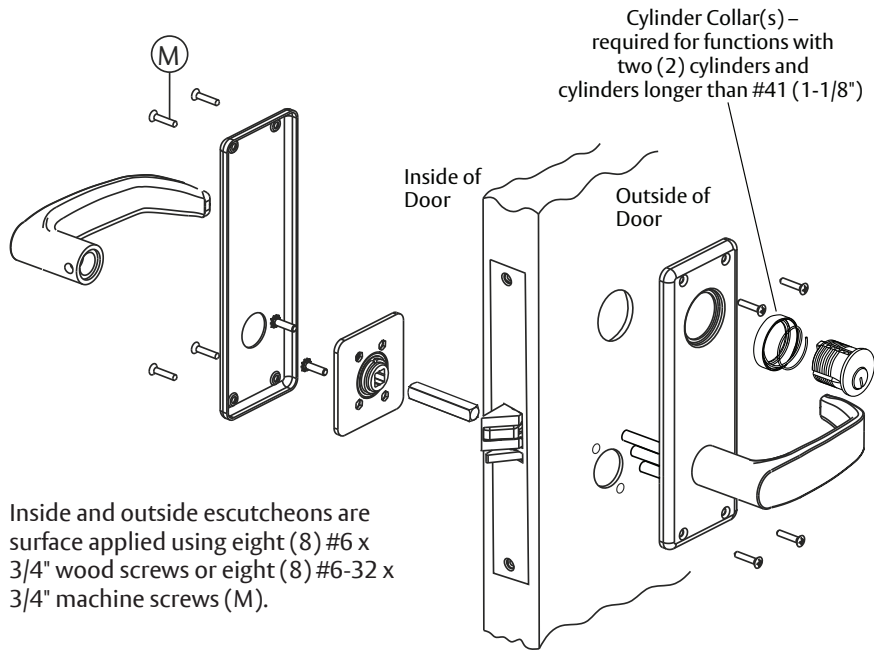


Installation Instructions

7800 Series Knob/8200 Series Lever

Mortise Locks

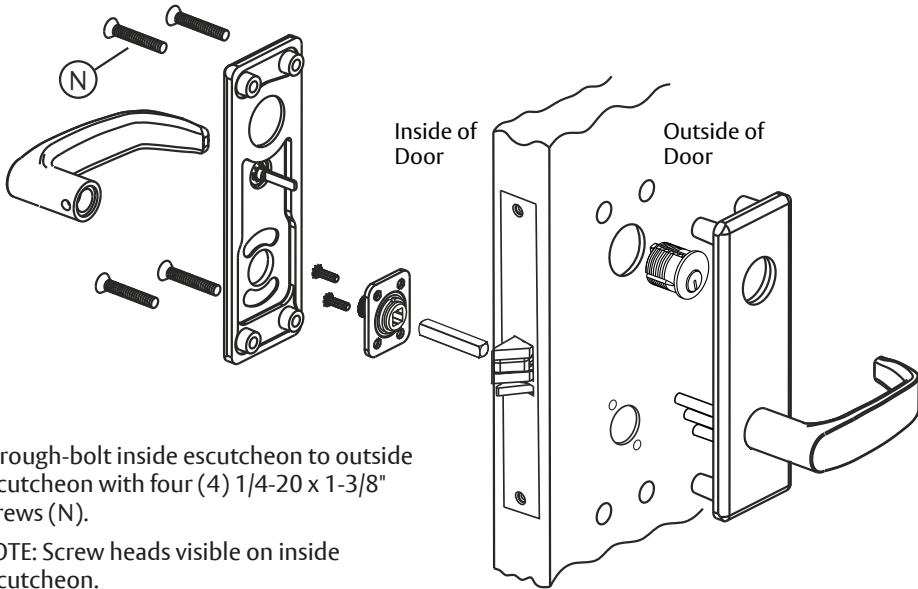
6 WT Escutcheon Installation



Inside and outside escutcheons are surface applied using eight (8) #6 x 3/4" wood screws or eight (8) #6-32 x 3/4" machine screws (M).

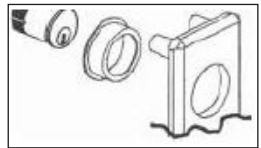
7 LS Security Escutcheon Installation

Install cylinder under escutcheon. Once escutcheon is installed, back cylinder out toward escutcheon as far as possible. When positioned correctly, secure cylinder in lockbody.



NOTE: To install double cylinder functions using supplied cylinder retaining cap:

1. Install:
 - both cylinders,
 - cylinder retaining cap (over each cylinder) and
 - escutcheons.
2. Back cylinders out and secure in place.



8 Multi-Function Lockbody Options

7800/ 8200 Mortise Lock Multi-function Lockbody Options 04, 05, 06, 13, 31, 36, 37, 38

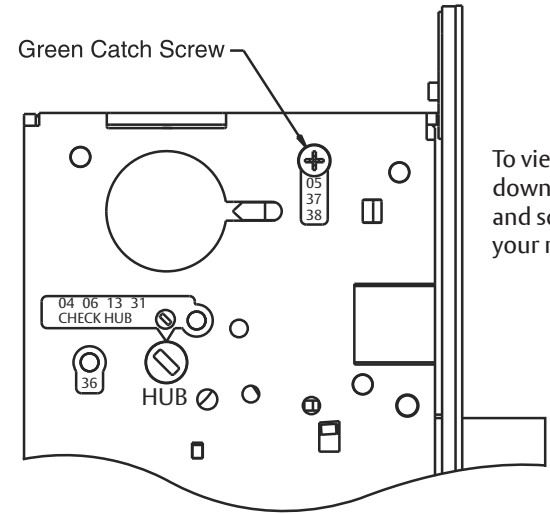
How to Change Function of Lock:

One green catch screw must be located in following three (3) locations as designated on lock case to create desired function:

- 3 locations: One for 05, 37 and 38 functions
 One for 04, 06, 13 and 31 functions
 And one for 36 functions

NOTE: When moving green catch screw to 04, 06, 13 and 31 functions, hub position must be at 4 as shown on lockcase.

*See How to Change Hand of Lock, section 9.



To view a video of this step download a free mobile app and scan the QR code with your mobile device.

Items needed to create following functions:

Function	Outside Lever	Inside Lever	Trim One Side Kit	Outside Cylinder	Inside Cylinder	Thumb Turn
04	X	X	—	X	—	—
05	X	X	—	X	—	X***
06	—	X	X	X	—	—
13	—	X	X	—	—	—
31	—	X	X	X	—	—
36	—	X	X	X	—	—
37	X	X	—	X	—	—
38	X	X	—	X	X	—

*** 130 KB thumb turn is used with rose trim only, escutcheon trims requiring thumb turns, must be preassembled at factory.

#41 Cylinder is standard for both single and double cylinder functions for 1-3/4" thick door.

NOTE: Trim one-side functions always require an inside trim assembly which can be used inside or outside of door (to order Trim-one-side kit (for all trim except PT or FE) order part #82-4611.

Type of Rose/Escutcheon	Kit Part Number
Trim one side kit CO, CR, LN, O, TO & TR	82-3208
Trim one side kit CE, LE1 & TE Escutcheon	82-3209