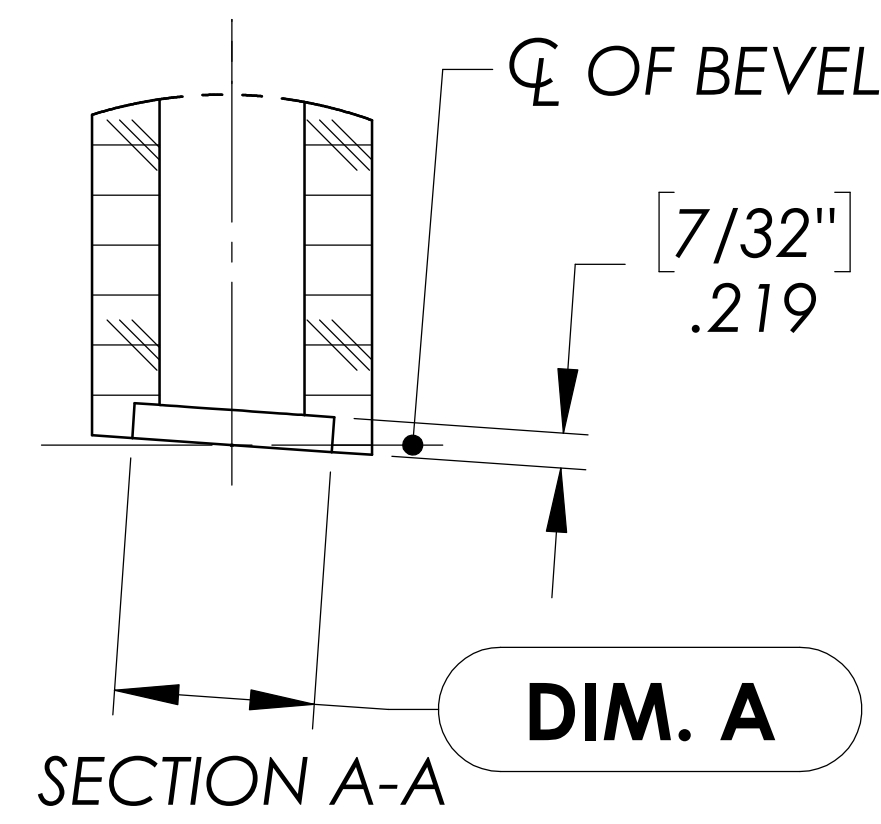


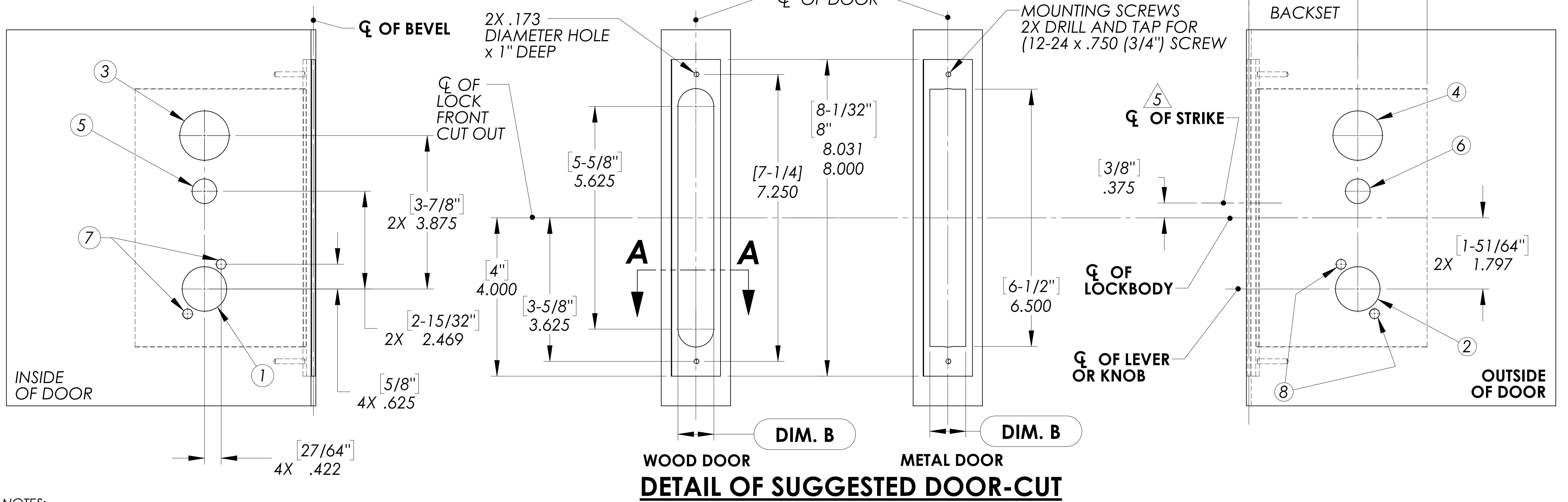
FUNCTION	REQUIRED HOLES							
	1 1.125" [1-1/8"] DIA.	2 1.125" [1-1/8"] DIA.	3 1.250" [1-1/4"] DIA.	4 1.250" [1-1/4"] DIA.	5 .625" [5/8"] DIA.	6 .625" [5/8"] DIA.	7 .250" [1/4"] DIA.	8 .250" [1/4"] DIA.
03, 21				■	■			
04, 27, 30, 37, 55, 70, 71, 89, 56-8204 NAC-270/271	■	■		■			■	■
06, 91	■			■			■	
05*, 24, 25, 28, 43, 45, 47, 50, 51, 56, 57, 58, 67, 281, NAC-280/281	■	■		■	■		■	■
13, 95	■						■	
15, 96, 97, 56-8215, NAC-274/275	■	■					■	■
16, 17, 26, 29, 38, 39, 40, 41, 42, 46, 48, 49, 52, 59, 72, 73, 90, 56-8217	■	■	■	■			■	■
20				■				
22			■	■				
23			■	■	■			
31, 35, 36		■		■				■
65, 66, 68	■	■		■	■	■	■	■
92	■		■	■			▲	
NAC-284/285	■	■			■		■	■

\* ALL 05 LOCKS  
MANUFACTURED PRIOR  
TO 7/6/04 USE 55  
FUNCTION DOOR PREP.



THIS TEMPLATE COVERS THE 7800, 8200 & 9200 SERIES LOCKSET IN ACCORDANCE WITH THE SPECIFICATIONS INDICATED BELOW:

LOCK LINES & VARIATIONS	VARIABLE DIMENSIONS		
	DIM "A"	DIM "B"	DIM "C"
7800, 8200 & 9200	1.250 ±.015 [1-1/4"]	1.125 [1-1/8"]	4.563 [4-9/16"]
1- PREFIX	1.062 ±.015 [1-1/16"]	1.000 [1"]	4.125 [4-1/8"]
74- PREFIX	1.250 ±.015 [1-1/4"]	1.125 [1-1/8"]	4.563 [4-9/16"]
8270-8273 FUNCTIONS, 56/NAC/RX/LX/DX PREFIX	1.250 ±.015 [1-1/4"]	1.250 [1-1/4"]	4.563 [4-9/16"]
7800, 8200 & 9200 WITH ONE-SIDED TRIM ONLY FUNCTIONS 06, 13, 31, 25, 36, 91 & 95	1.250 ±.015 (1-1/4")	1.125 +0/-0.062 [1-1/8"]	4.563 [4-9/16"]



- NOTES:
- DENOTES HOLE REQUIRED FOR FUNCTION LISTED. (CHECK TABLE BEFORE CUTTING HOLE.)
  - ▲ DENOTES HOLE #7 NOT REQUIRED FOR 7892 LOCKSET.
  - REFER TO TRIM TEMPLATE FOR ADDITIONAL HOLE REQUIREMENTS. SEE CATALOG FOR BOLT DIMENSIONS.
  - SUITABLE REINFORCEMENTS REQUIRED FOR METAL DOORS.
  - FOR DETAILS, SEE STRIKE TEMPLATE 7063.
  - FOR ADDITIONAL DETAIL FOR ELECTRIFIED FUNCTIONS (70-73 & NAC-270/271/274/275/280/281 & 56), SEE TEMPLATE 7065.
  - FOR BH TRIM SEE TEMPLATES 4711 AND 4745.
  - STILE: 4-1/2" MIN FOR MECHANICAL, 4-3/4" MIN FOR ELECTRIFIED FUNCTIONS.

**SARGENT**  
**ASSA ABLOY**

TEMPLATE 7800, 8200 & 9200

7057 32