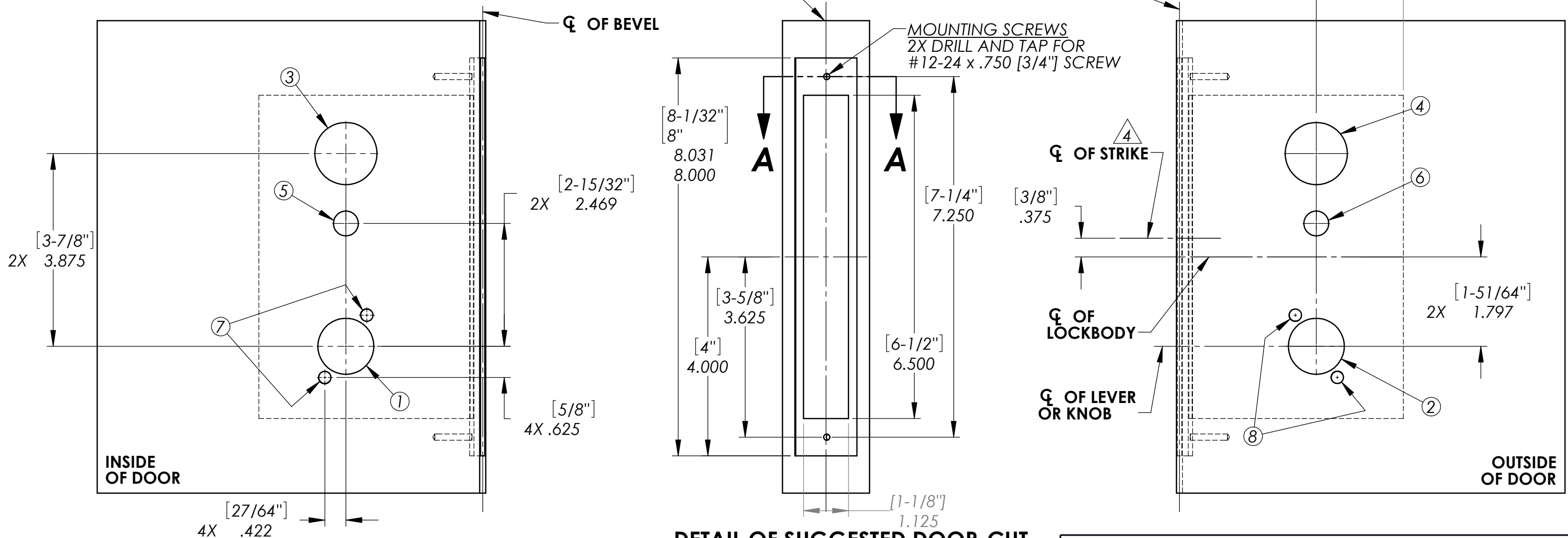
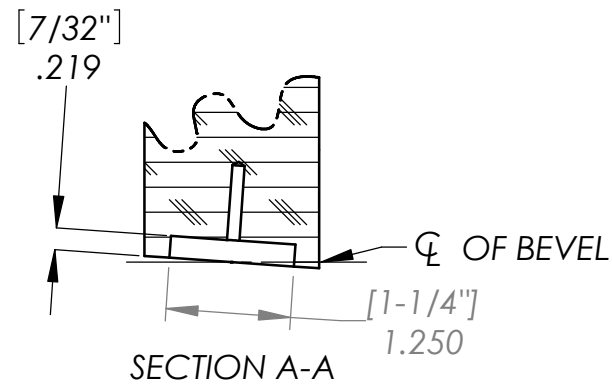


REQUIRED HOLES

FUNCTION	1	2	3	4	5	6	7	8
	1.125" [1-1/8"] DIA.	1.125" [1-1/8"] DIA.	1.250" [1-1/4"] DIA.	1.250" [1-1/4"] DIA.	.500" [1/2"] DIA.	.500" [1/2"] DIA.	.250" [1/4"] DIA.	.250" [1/4"] DIA.
03, 21				■	■			
04, 37, 55, 70, 71	■	■		■			■	■
06	■			■			■	
05*, 24, 25, 43, 45, 50	■	■		■	■		■	■
15	■	■					■	■
16, 17, 26, 38, 39, 40 .41, 49, 59, 72, 73	■	■	■	■			■	■
20				■				
22			■	■				
23			■	■	■			
35		■		■				■
65, 66	■	■			■	■	■	■

* ALL 05 LOCKS MANUFACTURED PRIOR TO 7/6/04 USE 55 FUNCTION DOOR PREP. ϕ OF DOOR



NOTES:

1. ■ DENOTES HOLE REQUIRED LISTED. (CHECK TABLE BEFORE CUTTING HOLE,)
2. REFER TO TRIM TEMPLATE FOR ADDITIONAL HOLE REQUIREMENTS.
3. SUITABLE REINFORCEMENTS REQUIRED FOR METAL DOORS.
4. FOR DETAILS, SEE STRIKE TEMPLATE 7063.
5. FOR ADDITIONAL DETAIL FOR SOLENOID OPERATED FUNCTIONS (56-, 70, 71, 72 & 73), SEE TEMPLATE 7065.

SARGENT
ASSA ABLOY

TEMPLATE: MORTISE LOCK
FOR 9200 SERIES
(LOCKBODIES ONLY)

19-MAR-26

4482 6