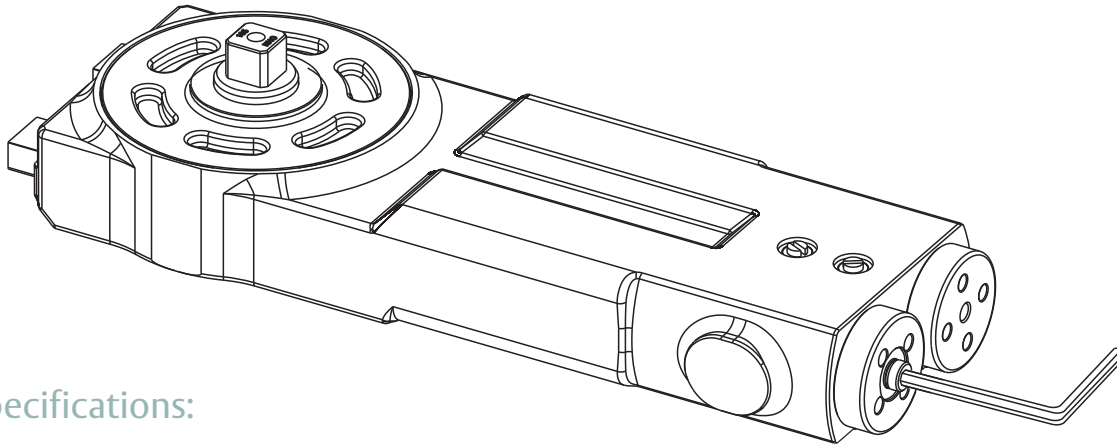


The global leader in
door opening solutions

609 Overhead Concealed Door Closer



Specifications:

MATERIAL:

Cast Iron Closer Body

SYSTEM INCLUDES:

- 5mm Extended Spindle
- Adjustable Spring Size 1-3
- Separate Closing and Latching Valves

HOLD OPEN OPTIONS:

- 90° Back Stop, Non-Hold Open (OHC-609-90NHO)
- 90° Back Stop, Hold Open (OHC-609-90HO)
- 105° Back Stop, Non-Hold Open (OHC-609-105NHO)
- 105° Back Stop, Hold Open (OHC-609-105HO)

**Use an auxiliary stop with OHC-609.*

ACCESSORY OPTIONS:

- Door Rail Adjustable End Load Bottom Pivot (PV-ENDLOAD)
- Patch Fitting Floor Mounted Pivot (PF-FM-PIVOT)
- Patch Fitting Adjustable Pivot (PF-ADJ-PIVOT)
- Mounting Clips (OHC-609-MC)
- Center Hung End Load Closer Arm (OHC-609-ARM)

Key Dimensions:

MAXIMUM
DOOR WEIGHT:
200 lbs.

MAXIMUM
DOOR WIDTH:
Interior: 42"
Exterior: 36"

APPROVALS
AND LISTINGS:
- Barrier free
operation to com-
ply with Federal
Accessibility
Standards (ADA);
complying with
ANSI A117.1 with
center pivoted
applications

300 Main Street
Rockwood, Pennsylvania 15557
P: 855.594.6989 • F: 844.851.8665
www.assaabloyglass.us
Orders.GlassSolutions@assaabloy.com • TechSupport.GlassSolutions@assaabloy.com