

1600 Series Corrosion Resistant Non-Handed Door Closer

Arm Models 1601SS, 1603BCSS, and 1604BCSS

Installation Instructions

Non-hold Open arm models, adjustable size 1-6 (model 1601SS ) and size 3 & 4 (models 1603BCSS and 1604BCSS).

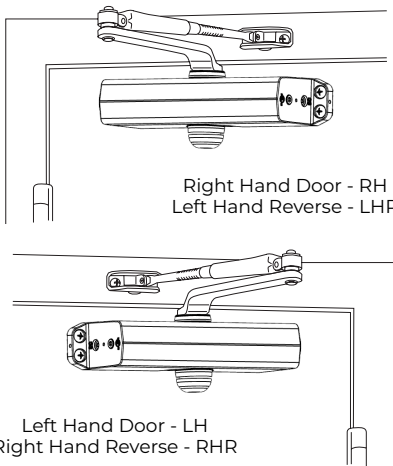
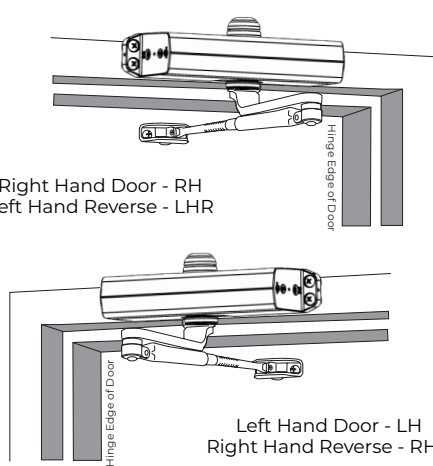
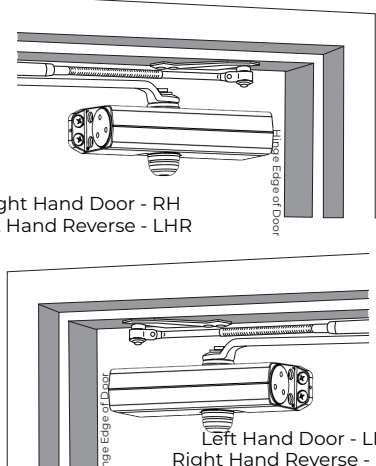


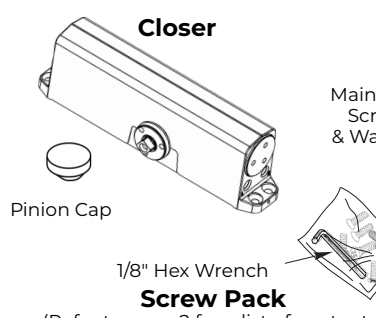
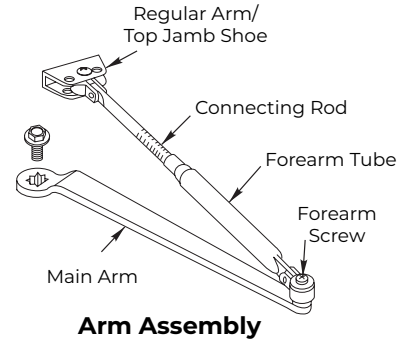
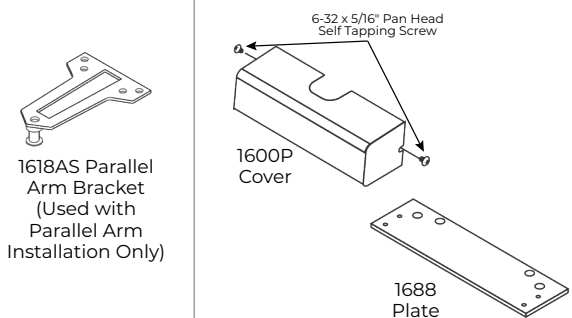
WARNING

This product can expose you to lead which is known to the state of California to cause cancer and birth defects or other reproductive harm.

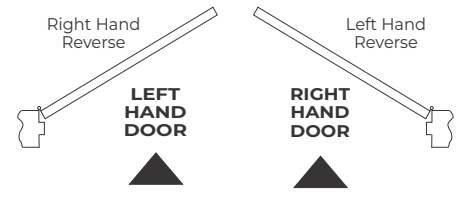
For more information go to: www.P65warnings.ca.gov.

READ AND FOLLOW ALL INSTRUCTIONS.
SAVE THESE INSTRUCTIONS.

Regular Arm	Top Jamb Mount	Parallel Arm
 <p>Right Hand Door - RH Left Hand Reverse - LHR</p> <p>Left Hand Door - LH Right Hand Reverse - RHR</p>	 <p>Right Hand Door - RH Left Hand Reverse - LHR</p> <p>Left Hand Door - LH Right Hand Reverse - RHR</p>	 <p>Right Hand Door - RH Left Hand Reverse - LHR</p> <p>Left Hand Door - LH Right Hand Reverse - RHR</p>

Included Components	Optional Components
<p>Closer</p>  <p>Pinion Cap</p> <p>1/8" Hex Wrench</p> <p>Screw Pack (Refer to page 2 for a list of contents)</p> <p>Arm Assembly</p>  <p>Regular Arm/ Top Jamb Shoe</p> <p>Connecting Rod</p> <p>Forearm Tube</p> <p>Forearm Screw</p> <p>Main Arm</p> <p>Main Arm Screw & Washer</p>	<p>Optional Components</p>  <p>6-32 x 5/16" Pan Head Self Tapping Screw</p> <p>1618AS Parallel Arm Bracket (Used with Parallel Arm Installation Only)</p> <p>1600P Cover</p> <p>1688 Plate</p>

To Determine Your Hand of Door:



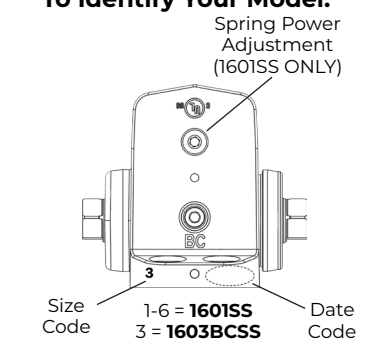
Right Hand Reverse

Left Hand Reverse

LEFT HAND DOOR

RIGHT HAND DOOR

To Identify Your Model:



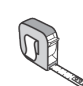





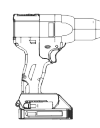
Spring Power Adjustment (1601SS ONLY)

Size Code

1-6 = **1601SS**
3 = **1603BCSS**
4 = **1604BCSS**

Date Code

Tools Needed:

				
Tape Measure	Punch	Pencil	Phillips Screwdriver	Adjustable Wrench
		#7 and 1/4-20 for Metal	3/16" for Wood	9/32" and 3/8" for Either Nut & Bolt Option
Safety Glasses	Drill	#7 and 1/4-20 for Metal	3/16" for Wood	9/32" and 3/8" for Either Nut & Bolt Option







ATTENTION:

An incorrectly installed or improperly adjusted door closer can cause property damage or personal injury. These installation instructions should be followed to avoid the possibility of misapplication or misadjustment.


- For special applications, a separate door and frame preparation template is packed with these instructions. Use this instruction sheet for installation sequence and closer adjustments only.
- Doors should be hung on ball bearing or anti-friction hinges.

- A separate door stop is recommended.
- Always consult door/frame manufacturer for fastener compatibility.
- Door and frame must be properly reinforced.
- Adjust closing time speed between 3 and 7 seconds from 90° to 0°.
- These door closers should NOT be installed on exposed side (weather side) of exterior doors.
- Dimensions are given in inches (millimeters).

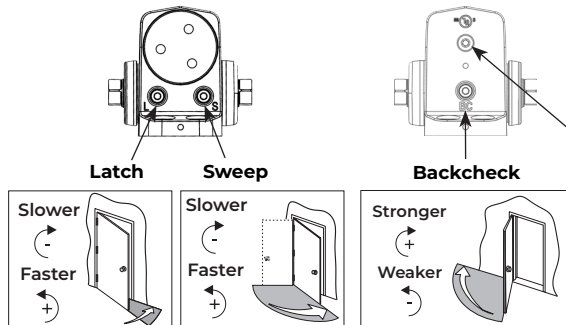
Supplied Hardware

Mounting Hardware		Door or Frame	Drill
	Closer, PA Bracket: 1/4-14 x 1-1/2 Oval Flat Head Sheet Metal Screw	Wood/Metal	3/16" (4.8mm) for wood
	Closer, PA Bracket: 1/4-20 x 3/4 Oval Flat Head Mach. Screw	Metal	Drill #7 (.201 dia. or 5.1mm) Tap 1/4-20
	Arm Shoe to Jamb or Door: 1/4-20 x 3/4 Round Head Mach. Screw		
	Arm Shoe to Jamb or Door: 1/4-14 x 1-1/2 Round Head Sheet Metal Screw	Wood/Metal	3/16" (4.8mm) for wood
	Closer: Sleeve Nut and Bolt (SNB) with 1/4-20 x 3/4 Oval Flat Head Mach. Screw (recommended)	Hollow Metal	9/32" (7.0mm) thru 3/8" (9.5mm) door face opposite to closer
		Aluminum or Wood	3/8" (9.5mm) thru
	Closer: Thru Bolt and Grommet Nut (TBGN) (optional)	All	9/32" (7.0mm) thru 3/8" (9.5mm) dia. x 3/8" (9.5mm) deep, door face opposite to closer


Closer Adjustments

 Use provided hex wrench to turn valves. NEVER force valves out of closer. NEVER completely close backcheck valve. Door must be open to adjust spring closing power. Refer to the chart.

Use of a power drill will void the Warranty.

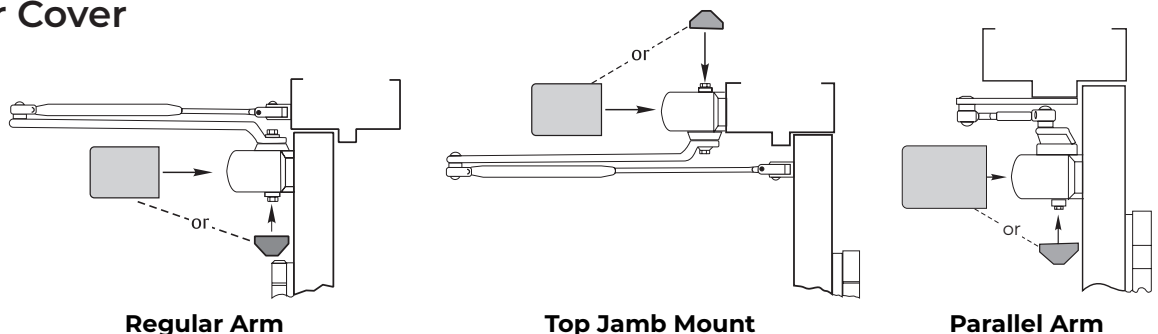


Spring Closing Power			Number of Turns Required				
Door	Type of Installation	*	Maximum Door Size				
			34" (0.85M)	36" (0.90M)	40" (1.00M)	44" (1.10M)	48" (1.20M)
1601	Interior	Regular Arm Top Jamb	2	4	6	10	12
		Parallel Arm	3	5	8	11	14
	Exterior	Regular Arm Top Jamb	3	5	8	11	14
		Parallel Arm	5	8	11	16	19

*30 Full (360°) turns maximum available  = turns as shipped

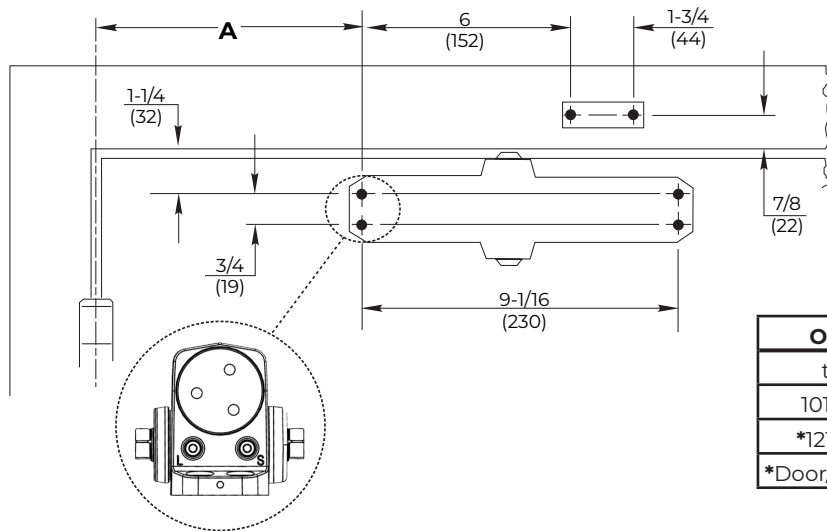
Pinion Cap or Cover

 Do not over tighten cap or cover screws.



1600SS Regular Arm Installation (Right Hand Shown)

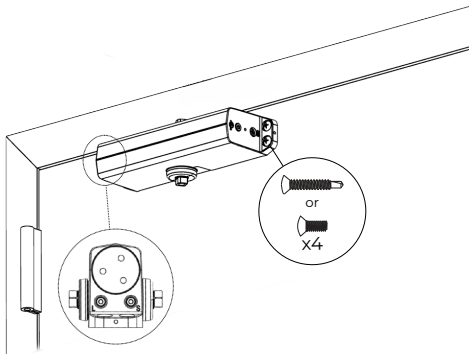
1. Prepare door and frame.



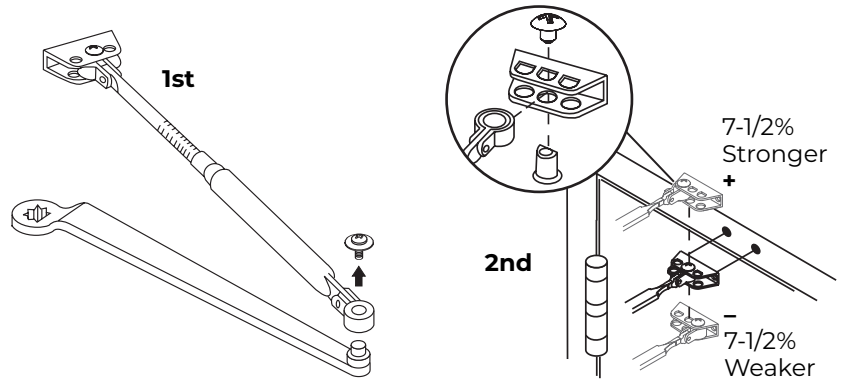
Opening	Dimension "A"
to 100°	7 (178)
101° to 120°	6 (152)
*121° to 180°	3-1/2 (89)

*Door/Wall/Hardware/Jamb conditions permitting

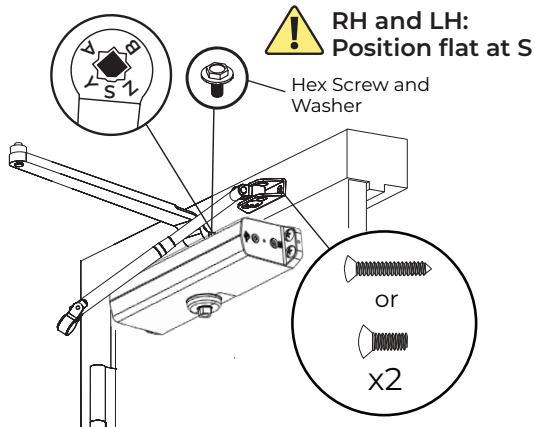
2. Mount closer to door.



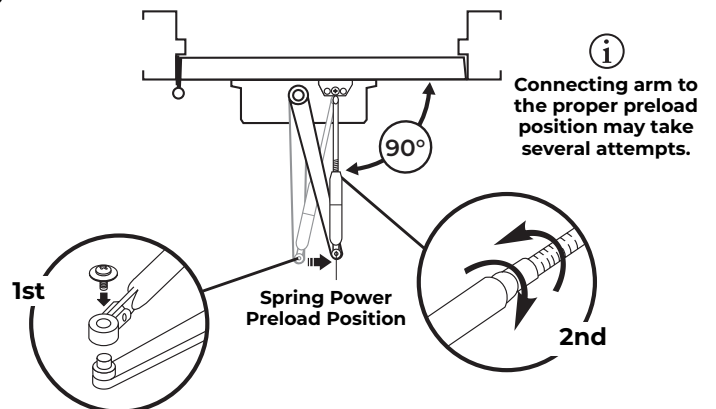
3. Take arms apart at elbow and choose arm placement in shoe and install arms.



4. Install separate arms.



5. Connect arms and adjust connection rod length to set arm elbow 90° to face of the door.

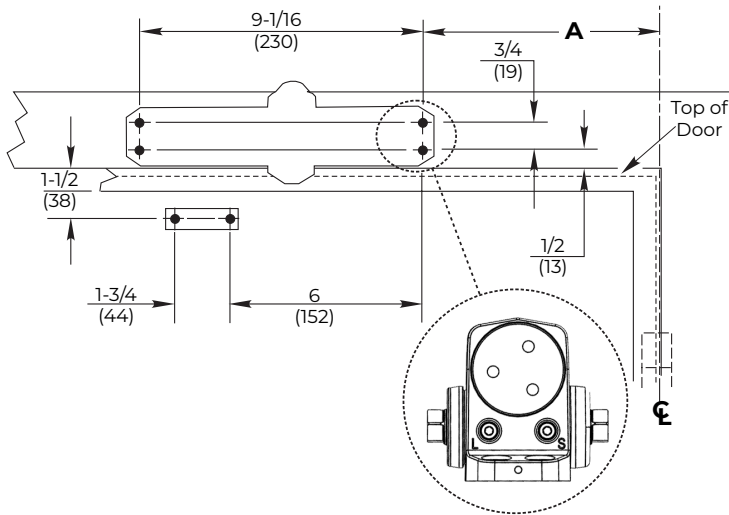


The **1600SS Non Hold Open Closer - Regular Arm** has now been installed.

- Go to page 2 for closer adjustments and decorative cap or cover installation.

1600SS Top Jamb Arm Installation (Right Hand Shown)

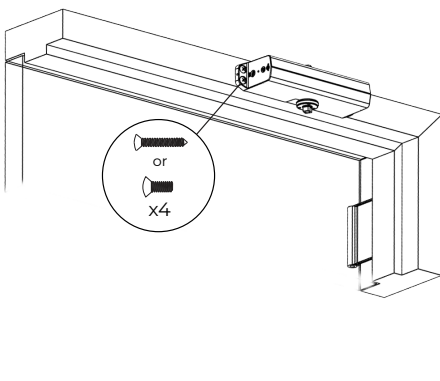
1. Prepare door and frame.



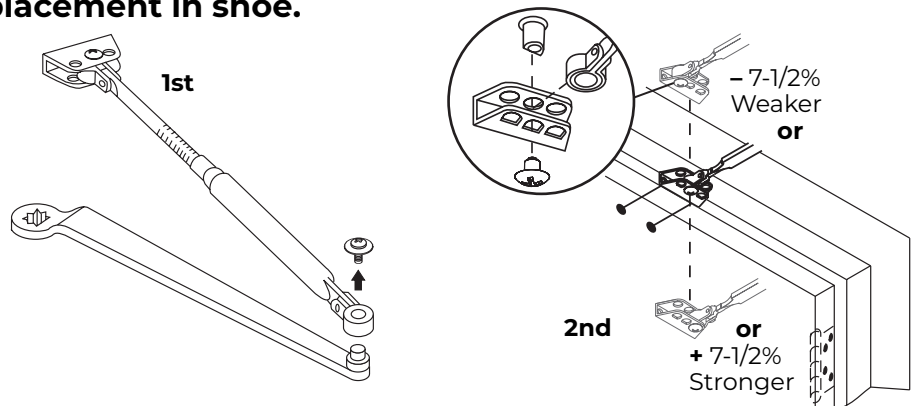
Opening	Dimension "A"
to 100°	7-1/2 (191)
101° to 120°	6 (152)
*121° to 180°	3-1/2 (89)

*Door/Wall/Hardware/Jamb conditions permitting

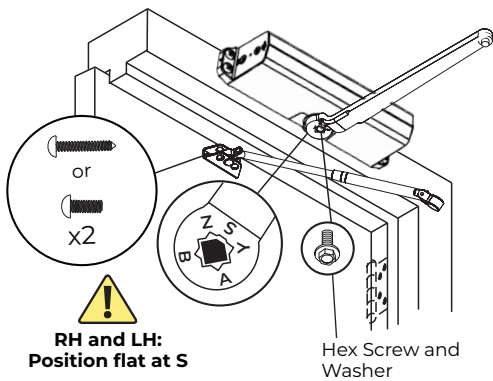
2. Mount closer to frame.



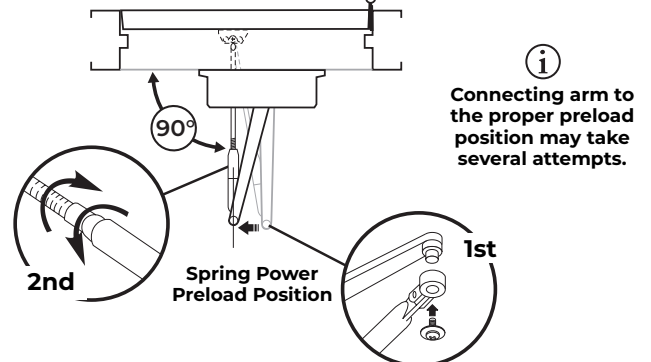
3. Take arms apart at the elbow and choose arm placement in shoe.



4. Install separate arms.



5. Connect arms and adjust connection rod length to set arm elbow 90° to face of the door.

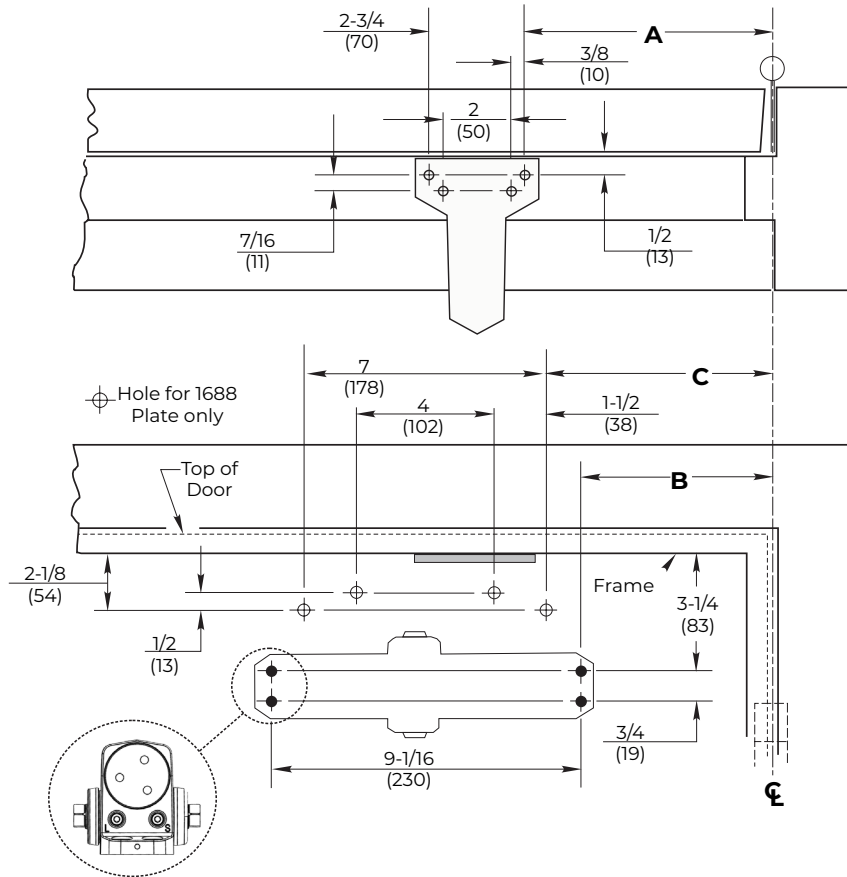


The **1600SS Non Hold Open Closer - Top Jamb Mount** has now been installed.

● Go to page 2 for closer adjustments and decorative cap or cover installation.

1600SS Parallel Arm Installation (Right Hand Shown)

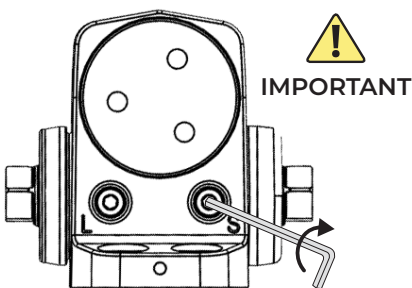
1. Prepare door and frame.



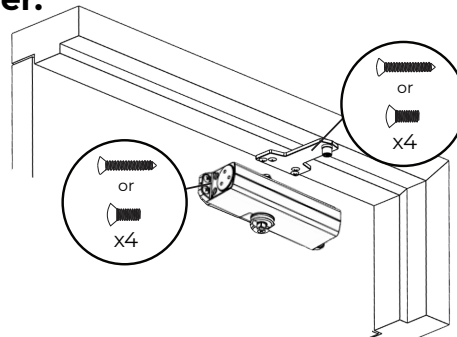
Door Opening	Dimension "A"	Dimension "B"	Dimension "C"
to 100°	9-1/4 (235)	7-5/8 (194)	8-5/8 (219)
101° to 130°	7-3/4 (197)	6-1/8 (156)	7-1/8 (181)
*131° to 180°	5-3/4 (146)	4-1/8 (105)	5-1/8 (130)

*Door/Wall/Hardware/Jamb conditions permitting

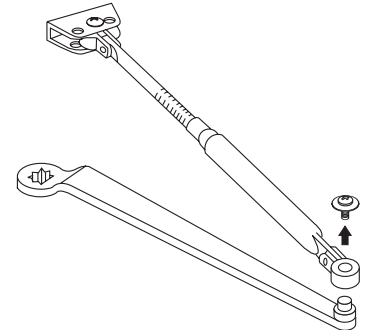
2. Close latch and sweep valves.



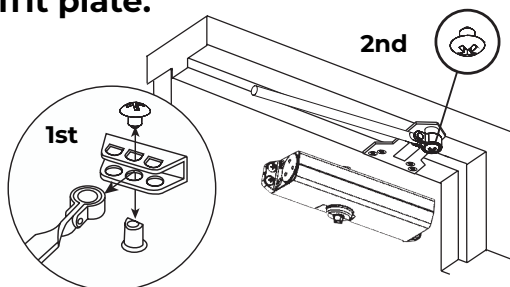
3. Install soffit plate and mount closer.



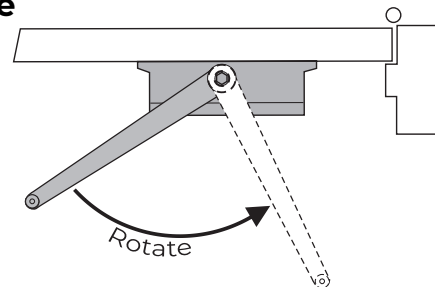
4. Take arms apart at elbow.



5. Remove arm shoe and install forearm to soffit plate.



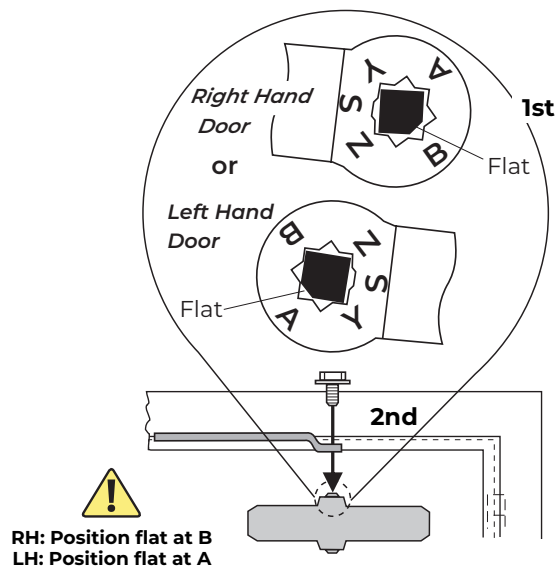
6. Place main arm on closer spindle and rotate



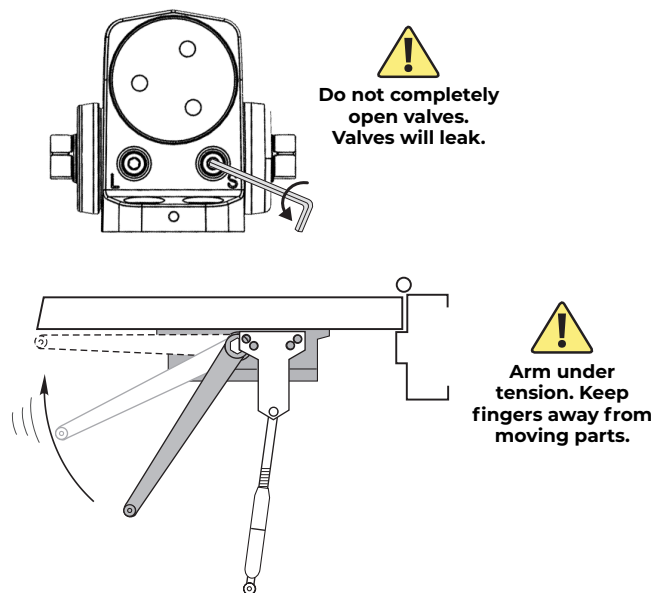
The ASSA ABLOY Group is the global leader in access solutions. Every day we help people feel safe, secure and experience a more open world.

1600SS Parallel Arm Installation (Right Hand Shown) cont.

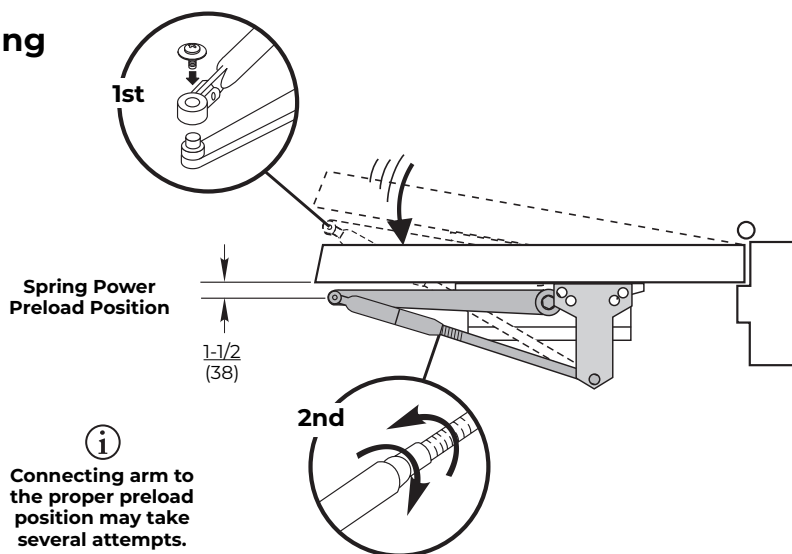
7. Remove arm and attach as shown.



8. Open latch and sweep valves.



9. Connect arms and adjust connecting rod length to set arm elbow about 1-1/2" (38mm) from door.



The **1600SS Non Hold Open Closer - Parallel Arm Mount** has now been installed.

● Go to page 2 for closer adjustments and decorative cap or cover installation.

Technical Product Support:
Monroe, NC 28112 USA
Phone: 877.974.2255 ext: 2
Techsupport.NortonRixson@assaabloy.com
NortonRixson.com

Norton Rixson is a brand associated with ASSA ABLOY Accessories and Door Controls Group, Inc., an ASSA ABLOY Group company. Copyright © 2019, 2020, 2022, ASSA ABLOY Accessories and Door Controls Group, Inc. All rights reserved. Reproduction in whole or in part without the express written permission of ASSA ABLOY Accessories and Door Controls Group, Inc. is prohibited.