

78-B/F Series

Models UNI-78B/F & UNI-78B/FH

Non-Hold Open & Hold Open

Installation Instructions

⚠ WARNING

This product can expose you to lead which is known to the state of California to cause cancer and birth defects or other reproductive harm. For more information go to: www.P65warnings.ca.gov.

READ AND FOLLOW ALL INSTRUCTIONS.
SAVE THESE INSTRUCTIONS.

CAUTION

An incorrectly installed or improperly adjusted door closer can cause property damage or personal injury. These instructions should be followed to avoid the possibility of misapplication or misadjustment.

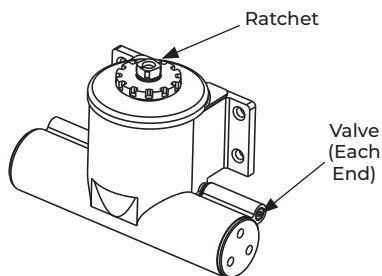
NOTES:

- UNI78-B/FH Models with a hold open arm feature are not permitted to be used with fire door assemblies.
- Use these instructions for installing all models of these series on 1-3/4" (45mm) doors hung on 4-1/2" (114mm) wide hinges or 3/4" (19mm) offset pivots.
- DOOR WIDTH determines the location of the closer. Use ONLY the template chart corresponding to your door width.
- Use ONLY the dimensions given in each template chart for the door total OPENING angle or the HOLD-OPEN angle desired.

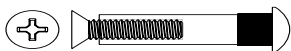
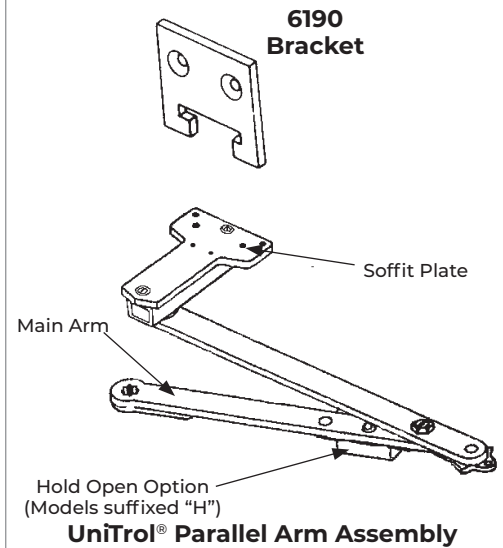
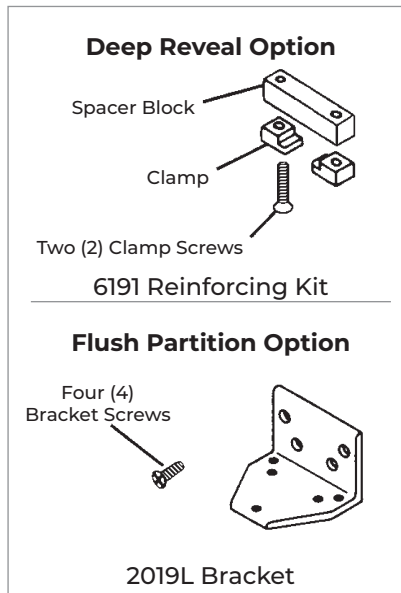
UniTrol® parallel arms are supplied in one of three lengths, according to door width specified on order. To verify that the ARM you have is CORRECT FOR THE DOOR WIDTH, check the number stamped on the arm against the chart below.

Door Width	Non-Hold Open Arm	Hold Open Arm
28"-32" (0.70-0.80m)	6130-17 11-6132-0002	6130-7 11-6132-0001
33"-41" (0.85-1.00m)	6130-18 11-6133-0002	6130-8 11-6133-0001
42"-48" (1.05-1.20m)	6130-19 11-6134-0002	6130-9 11-6134-0001

Components:



Closer Assembly



1/4-20 Sex Nut and Bolt

Four (4) each, to mount closer or drop plate to door

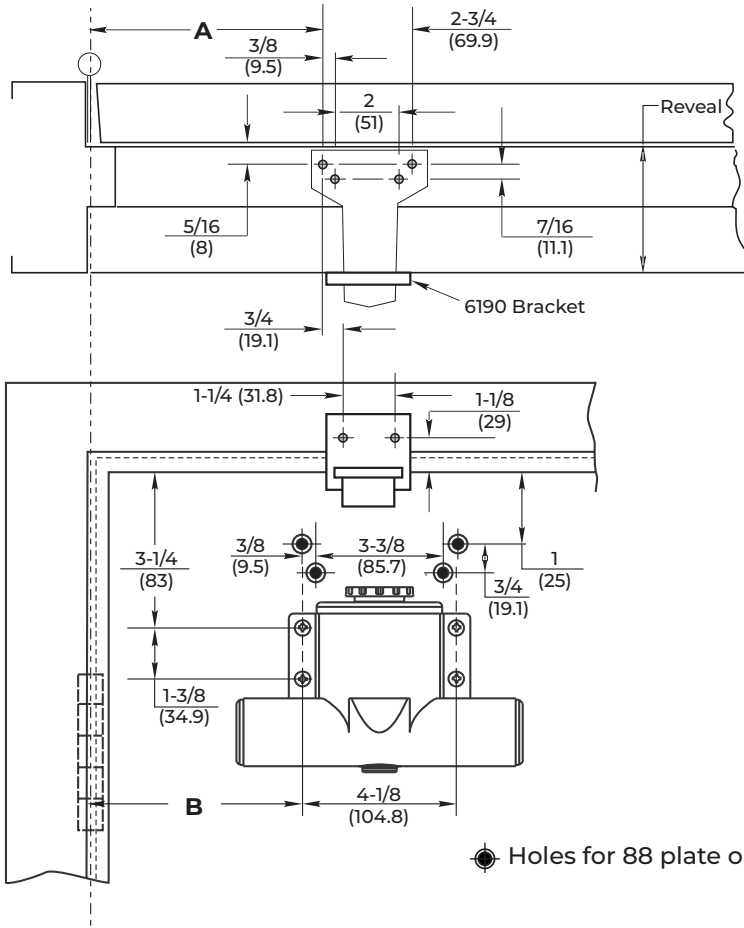


1/4-20 Machine Screw or #14 Type A Screw

Six (6) each, to mount soffit plate and 6190 bracket

Frame Template for 1-7/8 to 4-5/8 Reveals

Door template typical for all installations.



Template Information

- Door template typical for all installations.
- Frame template must be selected according to reveal:

Frame Template: (at left)
Frame Reveals 1-7/8 (48) to 4-5/8 (117)
(Uses 6190 Bracket)

Frame Template: (page 3)
Frame Reveals Over 4-5/8 (117)
(Uses 6191 Clamp Kit)

Frame Template: (page 3)
Flush Partitions (Uses 2019L Bracket)

NOTES:

- Dimension Charts on this page are typical for all installations
- Do not scale drawing.
- Left Hand Door shown.
- Dimensions shown in inches (mm).
- Fastener specifications on page 3.

Dimensions for Doors 28" to 32" Wide					
Opening		Dimension A		Dimension B	
Hold Open	Stop	Inches	mm.	Inches	mm.
85°	90°	10-3/8	263	11-5/8	295
90°	95°	9-3/4	248	11	279
95°	100°	9-3/8	238	10-1/2	267
100°	105°	8-3/4	222	10	254
105°	110°	8-1/4	209	9-1/2	241
110°	115°	7-7/8	200	9-1/8	231

Dimensions for Doors 33" to 41" Wide					
Opening		Dimension A		Dimension B	
Hold Open	Stop	Inches	mm.	Inches	mm.
85°	90°	12-7/8	327	14	356
90°	95°	12-1/4	311	13-3/8	340
95°	100°	11-5/8	295	12-3/4	324
100°	105°	11	279	12-1/8	308
105°	110°	10-1/2	267	11-5/8	295
110°	115°	10-1/8	257	11-1/4	288

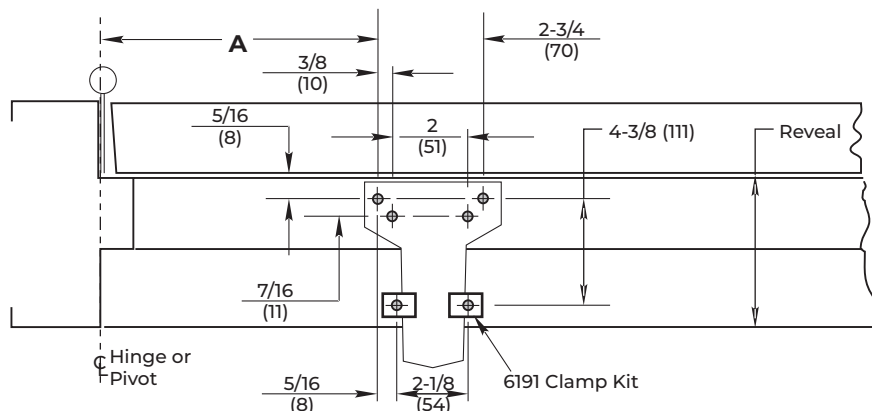
Dimensions for Doors 42" to 48" Wide					
Opening		Dimension A		Dimension B	
Hold Open	Stop	Inches	mm.	Inches	mm.
85°	90°	15-3/8	391	16-3/8	416
90°	95°	14-1/2	368	15-1/2	394
95°	100°	13-3/4	349	14-3/4	375
100°	105°	13-1/8	333	14-1/8	359
105°	110°	12-5/8	321	13-5/8	346
110°	115°	12-1/8	308	13-1/8	333

78-B/F Series

UniTrol®, Non-Hold Open & Hold Open

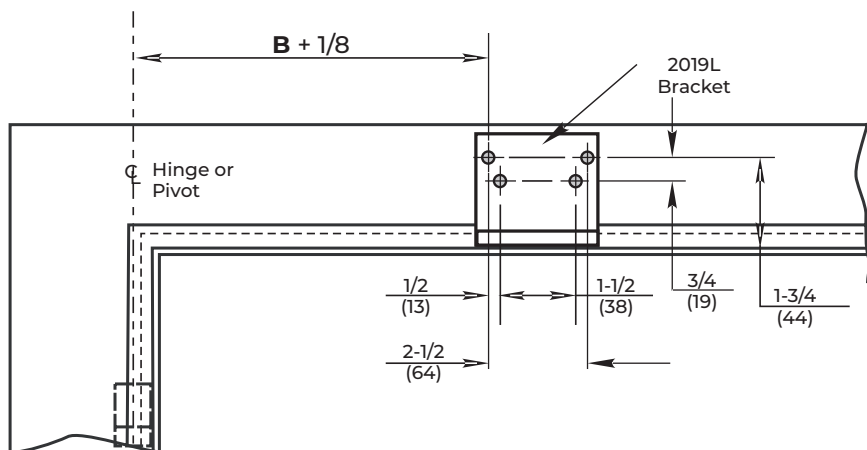
Frame Template for Reveals Over 4-5/8:

Door Template on page 2.



Frame Template for Flush Partitions:

Door Template on page 2.



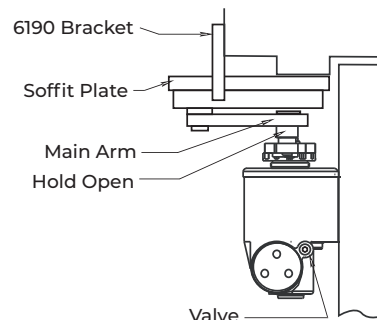
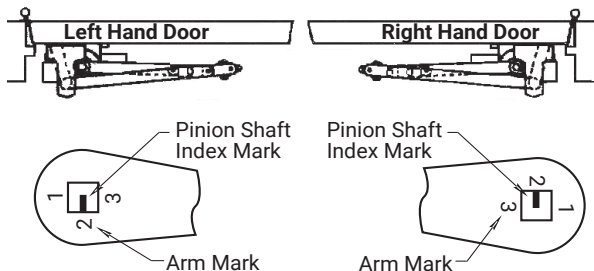
Preparation for Fasteners

Fasteners	Frame	Door	Drill-Sizes
1/4"-20 Machine Screw	Metal	None	#7 (0.201" dia) or 5.10mm drill; 1/4-20 tap
#14 Type "A" Sheet Metal Screw	Wood	None	7/32" (5.5mm)
Sleeve nuts and bolts	None	Hollow Metal	9/32" (7mm) through; 3/8" (9.5mm) door face opposite of closer
		Aluminum or Wood	3/8" (9.5mm) through

Installation Sequence

- Read Front Page.**
Installations and component identification are on this page.
- Match closer to door hand.**
See "Typical Installation" figure below and verify that you have a closer of the same hand as the door (ratchet should wind spring clockwise for LH, counterclockwise for RH closers). To change hand of closer see "Unit Adjustment" on page 4.
- Match hardware to opening.**
See "Template Information" on page 2.
- Mark Location of Mounting Holes.**
Use dimensions for hold open or door stop angle desired. Mark position of 4 holes on door for closer (or drop plate) and 6 holes on frame for soffit plate (or 4 for 2019L angle bracket)
- Prepare Holes for Fasteners.**
Refer to the "Preparation for Fasteners" chart below.
- Mount Closer to Door.**
Drop plate first, if used.
- Install arm on pinion top.**
Align main arm number "2" with index mark on pinion shaft. Fasten with arm screw. See "Typical Installation" figure below. Do not engage dog to ratchet.
- Mount Arm to Frame.**
Fasten soffit plate (or 2019L angle bracket if flush partition) to frame. Mount 6190 bracket or 6191 clamps to hold soffit plate flat.
- Set closing tension.**
Wind spring 3 to 10 notches from rest position (wrench supplied) and engage arm dog in ratchet notch to hold spring preload. Spring winds clockwise for left hand doors, counterclockwise for right hand doors.
- Adjust closer.**
See "Unit Adjustment" on page 4.

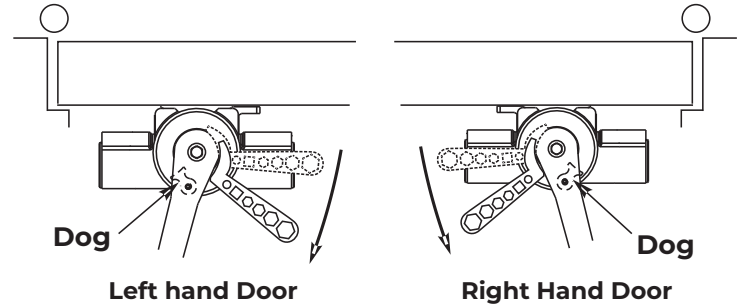
Typical Installation



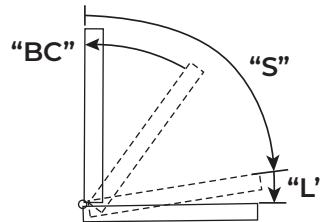
Unit Adjustment

- **Power Adjustment:** The closer clock-type spring is wound by turning the ratchet with the spanner wrench provided. The dog under the closer main arm, engages into a ratchet notch to automatically wind the spring whenever the door is open. For proper closer action the ratchet has to be driven from 3 to 10 notches from the rest position, to preload the spring before engaging the arm dog. How much, between 3 and 10 ratchet notches, should the spring be preloaded depends on the door closing power desired. Do not preload spring less than 3 ratchet notches, nor more than 10.
- **All Valves** adjustable by 1/8" (3.18 mm) hex key (supplied).
- **Backcheck** controlled by valve on closer end closest to the hinge edge of the door. (Never close BC valve completely.) Should backcheck be found extremely early in the opening cycle, rotate the valve 1/2 turn (180°) to correct backcheck position.
- **Closing Speed** controlled by valve on closer end closest to the lock edge of the door. Full turns control the sweep speed. After sweep speed is set, up to 1/2 turn (180°) in either direction adjusts the latch speed.
- **Hold Open** option is found at the arm elbow. To select hold open "on" or hold open "off" and to adjust the hold open force... use screwdriver as illustrated.

Closer Power Adjustment



Valve Controls



Valve Adjustments

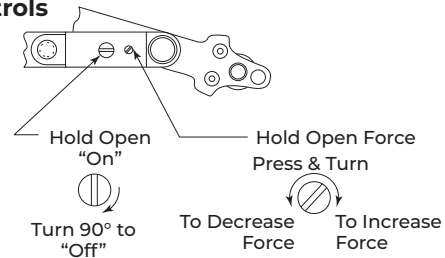
Backcheck Intensity "BC"
(Full turns)



Closing Speeds

"S" (Full Turns)
"L" (Half Turn Max.)

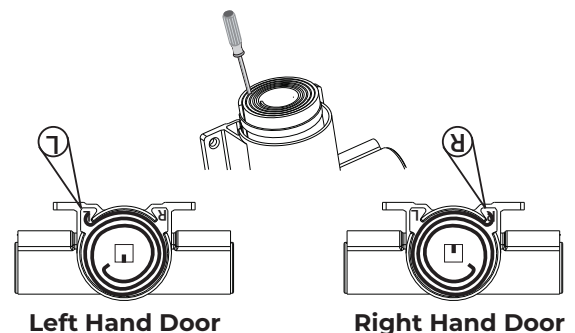
Hold Open Controls



Reversing Closer Hand

To Reverse Closer Hand:

1. Remove main arm screw, arm assembly, ratchet, and top cover.
2. Lift out spring using screwdriver wedged between coils (see figure at right).
3. Reverse spring and re-assemble to required hand (see figure at right).
4. Rotate shaft to required hand (see figure at right).
5. Replace cover and insert ratchet, lining up slot with inner hook on spring.



Technical Product Support:
Monroe, NC 28112 USA
Phone: 877.974.2255 ext: 2
Techsupport.NortonRixson@assaabloy.com
NortonRixson.com

Norton Rixson is a brand associated with ASSA ABLOY Accessories and Door Controls Group, Inc., an ASSA ABLOY Group company. Copyright © 1990, 2014, 2024, 2026, ASSA ABLOY Accessories and Door Controls Group, Inc. All rights reserved. Reproduction in whole or in part without the express written permission of ASSA ABLOY Accessories and Door Controls Group, Inc. is prohibited