

# 7200 Series Overhead Concealed Door Closer

## Models 7290 MPS & 7290 RFS



Selective Hold Open & Executive™ Door Release  
Holder Releasing Device with Rigid Side Arm  
Installation Instructions

### ⚠ WARNING

This product can expose you to lead which is known to the state of California to cause cancer and birth defects or other reproductive harm. For more information go to: [www.P65warnings.ca.gov](http://www.P65warnings.ca.gov).

### CAUTION

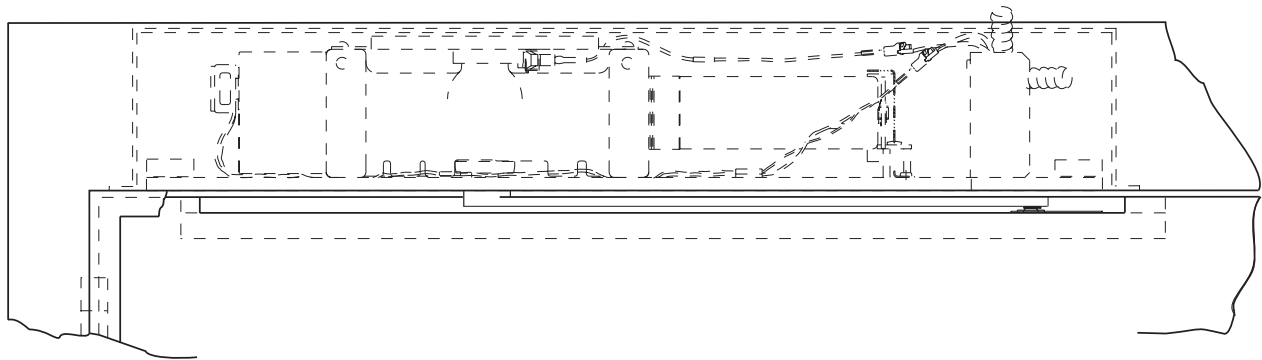
An incorrectly installed or improperly adjusted door closer can cause property damage or personal injury. These instructions should be followed to avoid the possibility of misapplication or misadjustment.

READ AND FOLLOW ALL INSTRUCTIONS.  
SAVE THESE INSTRUCTIONS.

### Notes & Requirements:

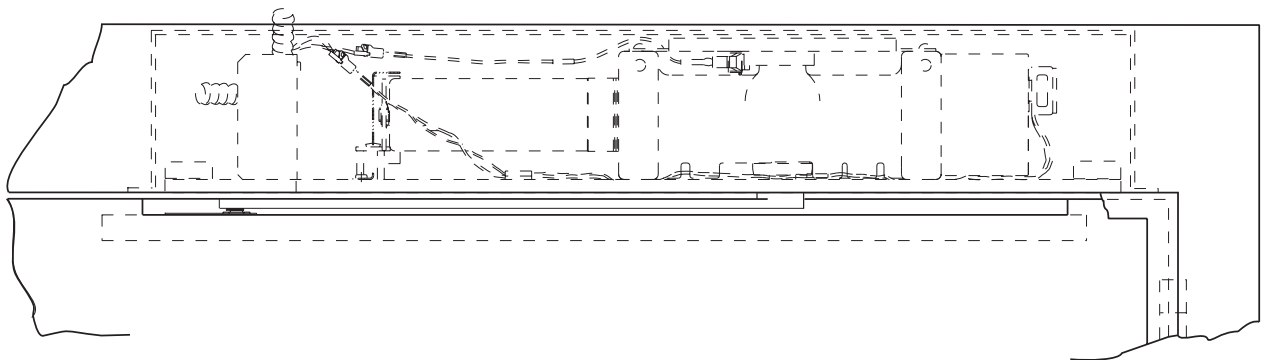
- Units are handed. Hand of unit and hand of door must be the same.
- All dimensions shown in inches (mm).
- Door must be hung on butt hinges.
- For wood or metal doors 1-3/4" to 2-1/2" (45mm to 57mm) thick, hung in hollow metal frame.
- Door must swing freely through the entire opening and closing cycle before beginning the installation procedure.
- Power input to unit must be of the same voltage as that stated on the unit.
- Unit to be mounted on interior of building in dry environment, maximum humidity of 95%.
- Removable frame stop required unless frame rabbet exceeds 2-3/16" (56mm). Not shown.
- See NFPA70 for wiring requirements and NFPA72 for alarm system requirements.

**Left Hand Door - LH**  
Right Hand Reverse - RHR



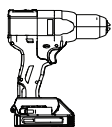
Hinge or Pivot

**Right Hand Door - RH**  
Left Hand Reverse - LHR



Hinge or Pivot

### Tools Required



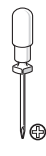
Drill



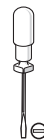
Wire Stripper



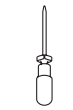
Allen Wrench Set



#2



Potentiometer & Terminal Size



Punch



Tape Measure



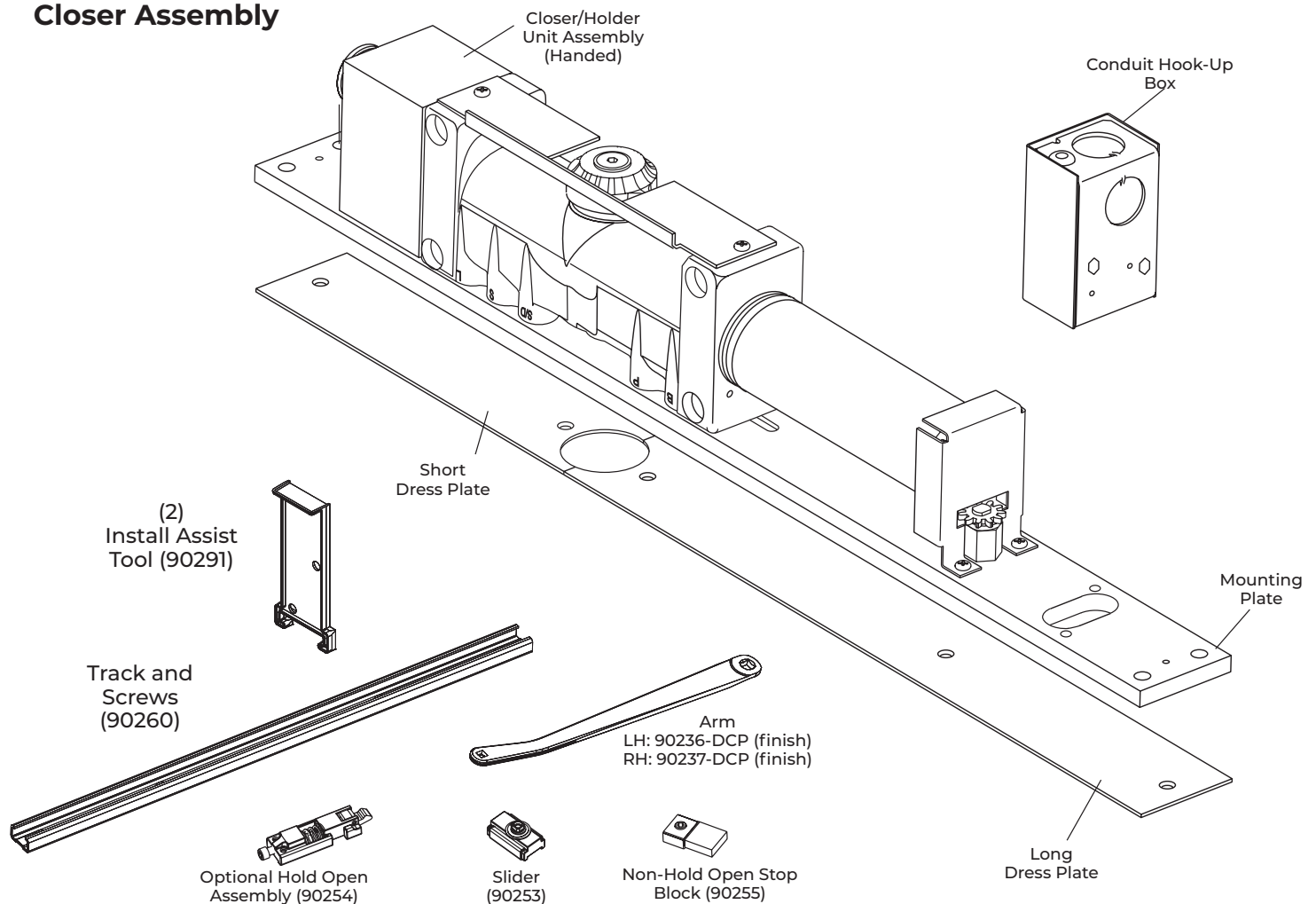
Safety Glasses

## Contents

Components.....	2
Certifications .....	2
Assembly Components .....	3
Template .....	4
Installation.....	5
Closer Adjustments.....	9
Final Steps.....	9

## Components

### Closer Assembly



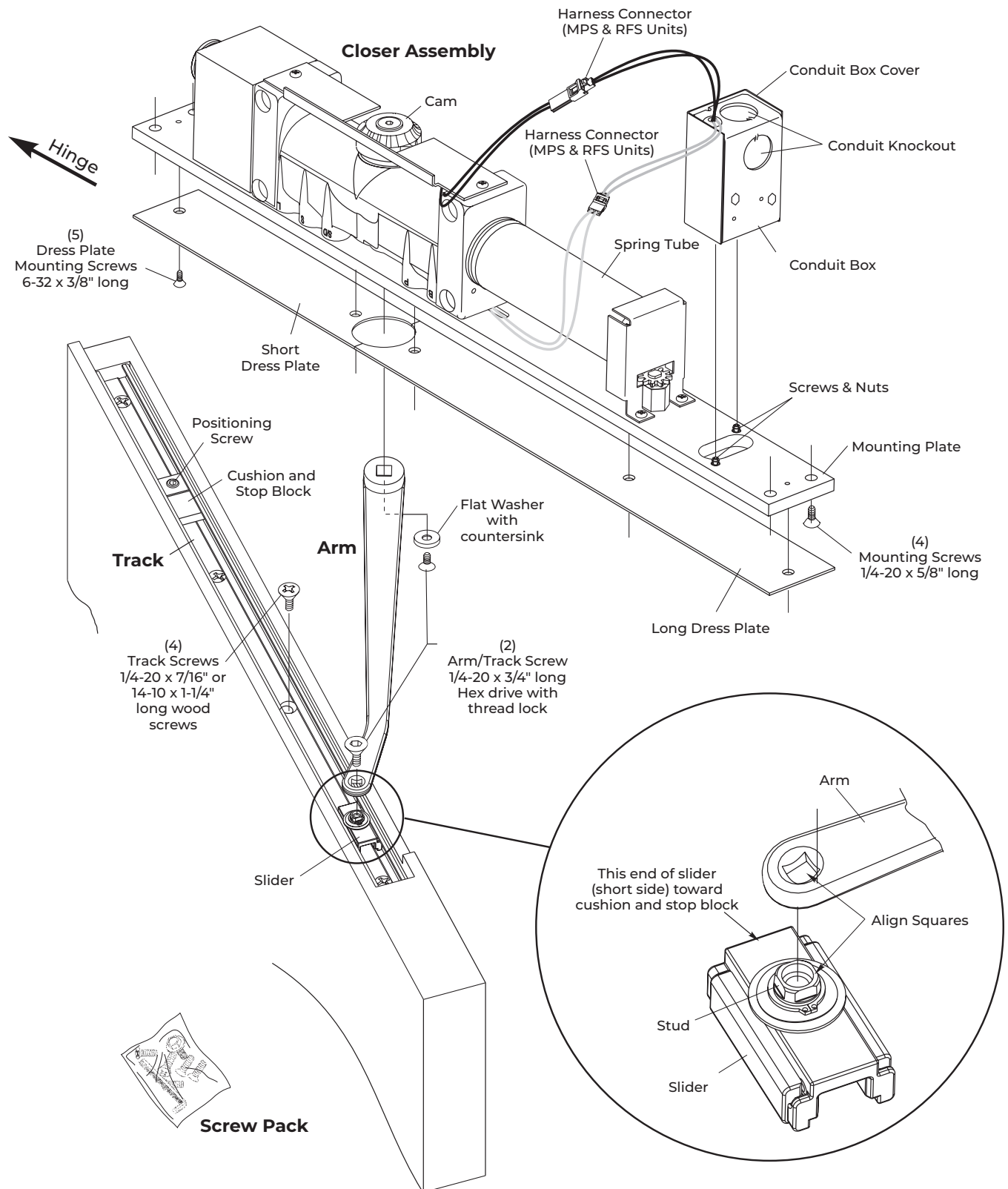
## Certifications

UL228, UL10B

# Models 7290 MPS & 7290 RFS

Selective Hold Open & Executive™ Door Release  
Holder Releasing Device with Rigid Side Arm

## Assembly Components

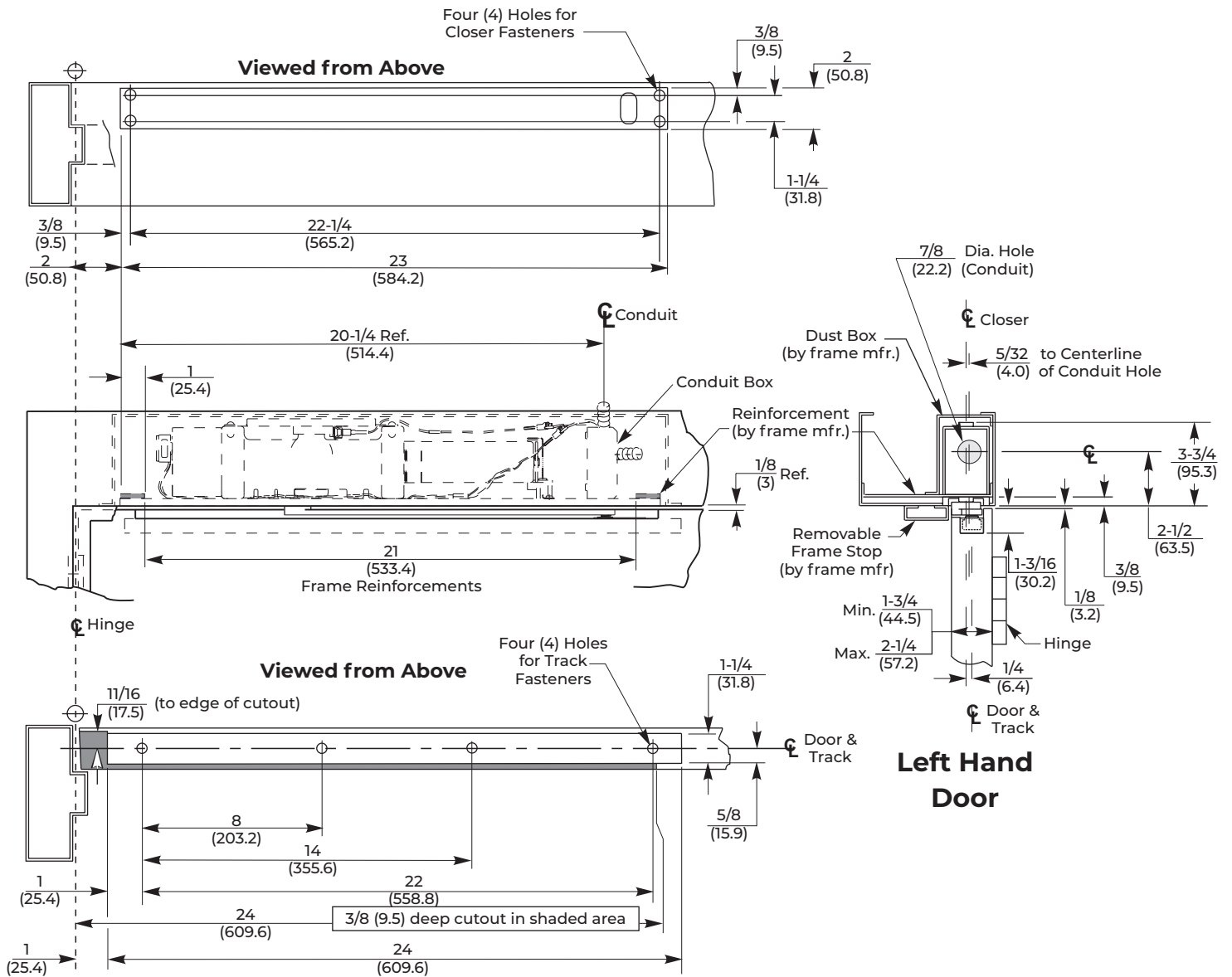


# Models 7290 MPS & 7290 RFS

Selective Hold Open & Executive™ Door Release  
Holder Releasing Device with Rigid Side Arm

## Template

Model 7290 MPS/7290 RFS with Standard Butt Hinges



**NOTES:**

- Do not scale drawing.
- Left Hand door shown.
- Hardware dimensions shown (not cutouts).
- Dimensions are in inches (mm).
- Minimum door width: 27" (685.8mm)
- Track: 24" (609.6mm)
- Maximum width hinge: 5" (127mm)

Fastener	Use	⊕ Preparation
1/4-20 Machine Screw	Metal frame & Metal door	#7 (0.201" dia.) or 5.10mm drill 1/4-20 tap
#14 Wood Screw	Hard Wood Door	7/32" or 5.5mm drill
	Soft Wood or Composite Door	11/64" or 4.4mm pilot drill
Door Angle		Auxiliary Door Stop Required
110°	180°	Opening greater than 110°
With Cushion & Stop Block	Without Cushion & Stop Block	Opening greater than 110°

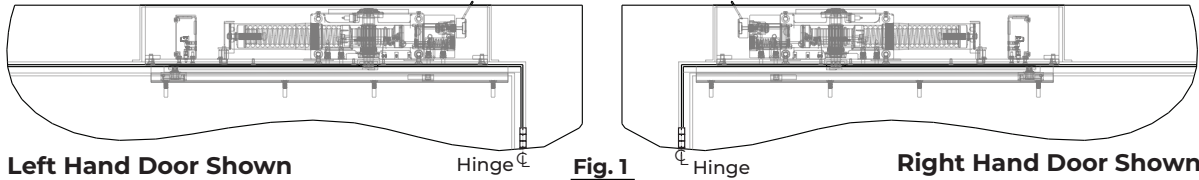
# Models 7290 MPS & 7290 RFS

Selective Hold Open & Executive™ Door Release  
Holder Releasing Device with Rigid Side Arm

## Installation

### A. Determine Hand of Door

**NOTE:** Hand of closer must match hand of door.



### B. Prepare Door & Frame.

Refer to the information on page 4 for preparation details. Use the chart to determine the preparation of fasteners and determine drill and tap based on material of frame and door.

**NOTE:** For new construction applications, hardware cutouts and mounting locations in frame are generally made by the frame / door supplier at their location.

### C. Prepare Electrical Wiring.

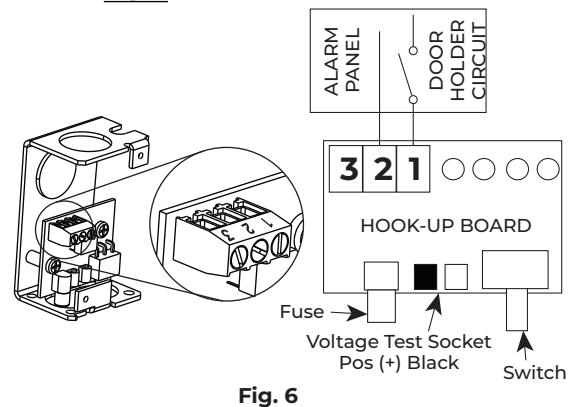
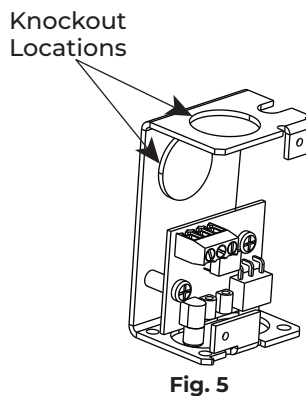
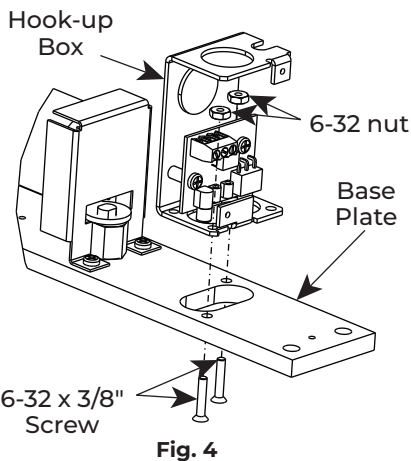
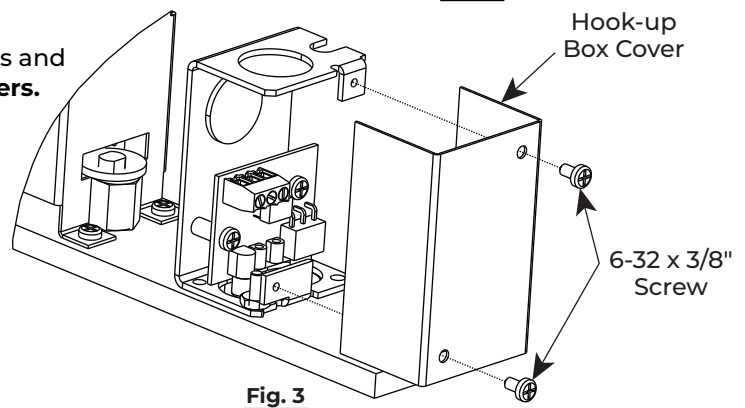
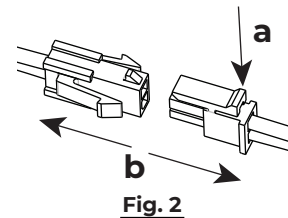
#### NOTES:

- Wiring must be in compliance with N.E.C. Class 2 wiring specifications
- Voltage to the unit must be the same as shown on the unit: 24V AC/DC or 120V AC, 60 Hz.



**Warning:** Voltage must be within a range of +10% and -15% of unit's stated voltage for proper operation of the closer/holder.

1. Disconnect the Black & White Harness Connectors:  
Press down on tab "a" and separate the connectors "b" for each harness. (Fig. 2)
2. Remove Hook-Up Box Cover:  
Remove (2) 6-32 x 3/8" long pan head phillips screws. (Fig. 3)  
**DO NOT DISCARD screws.**
3. Remove Hook-Up Box:  
Remove (2) 6-32 x 3/8" long flat head phillips screws and (2) 6-32 hex nuts (Fig. 4). **DO NOT DISCARD fasteners.**
4. Anchor Conduit:  
Anchor conduit to hook-up box using knockouts in bracket. (Fig. 5)
5. Secure Power Leads:  
Secure power leads to terminal block on hook-up board in positions 1 & 2, as shown (Fig. 6).



...continued on next page.

## Installation (cont.)

### D. Install Closer.

1. **Determine door opening angle:**  
Use chart at right to set door angle.

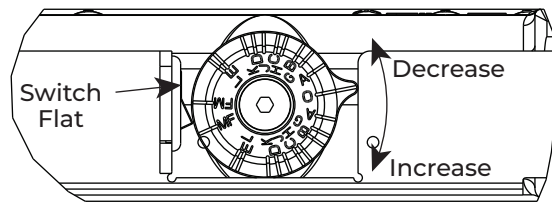
**NOTE:** Units ship with cam set to approximately 90°.

Setting	C	D	E	FM	MF
Door Angle	15°	30°	60°	90°	135°

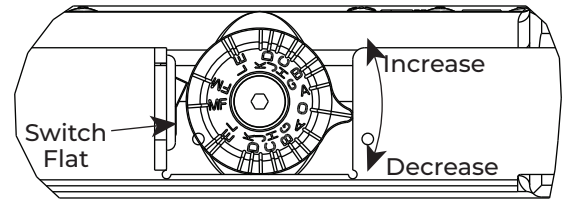
2. **Adjust cam:** (Fig. 7)
  - a. Based on door opening angle above, loosen cam using 5/32" Allen wrench provided.
  - b. Rotate cam so letter on cam for door angle aligns with "V" centerline of switch rocker.
  - c. Re-tighten screw with 5/32" Allen wrench when cam is in desired position.



**CAUTION:** Over-tightening of the screw could result in damaging the plastic cam resulting in loss of cam positioning.



Left Hand Door shown for 90°



Right Hand Door shown for 135°

**NOTE:** Verify setting of cam before mounting the closer to the frame.

Fig. 7

### E. Install Optional Assembly Clips.

1. **Clips onto Back plate:**  
Slide assembly clips onto each end of the backplate with triangular hooks up and pointing out.
2. **Insert Clips into frame:**  
Slide clips into opening of frame. Slide clips out on back plate so clips securely hold back plate for further install steps. (Fig. 9)

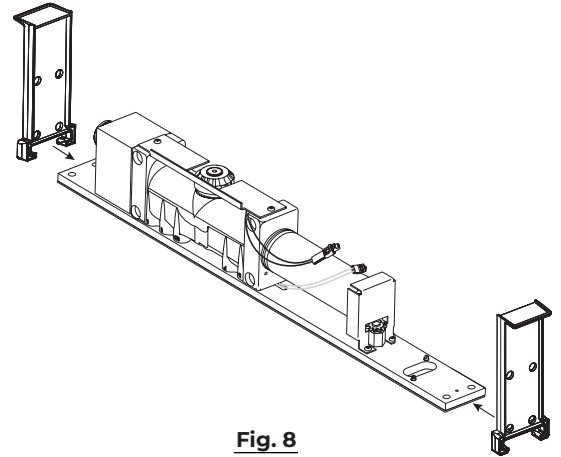


Fig. 8

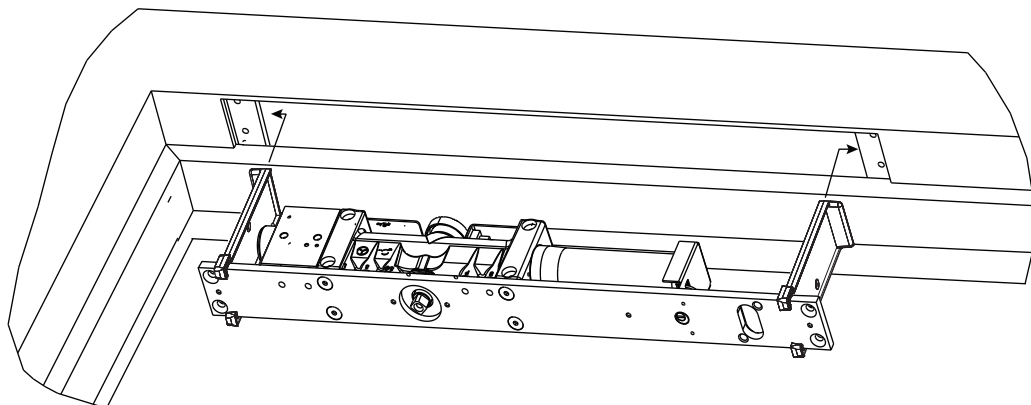


Fig. 9

...continued on next page.

# Models 7290 MPS & 7290 RFS

Selective Hold Open & Executive™ Door Release  
Holder Releasing Device with Rigid Side Arm

## Installation (cont.)

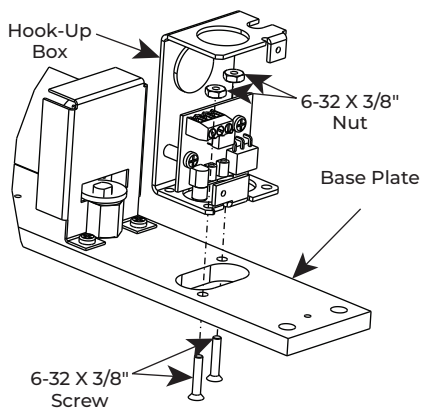
### F. Re-attach Hook-Up-Box.

1. Attach Hook-Up Box:

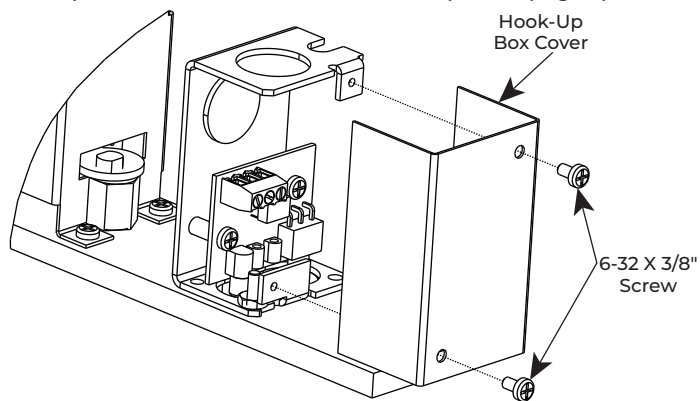
Using (2) 6-32 x 3/8" flat head phillips screws and (2) 6-32 hex nuts removed in Step C3, secure hook-up box to back plate. (Fig. 10)

2. Attach Hook-Up Box Cover:

Using (2) 6-32 x 3/8" pan head screws removed in Step C2, secure cover onto hook-up box. (Fig. 11)



**Fig. 10**



**Fig. 11**

3. Reconnect the black & white harness connectors: (Refer to Step C1)

- Plug the connectors of the black harness wires together.
- Plug the connectors of the white harness wires together.

**NOTE:** Holes in the assembly clips installed in Step E allow screwdriver access to the 6-32 x 3/8" cover screws.

### G. Mount Closer in Frame.

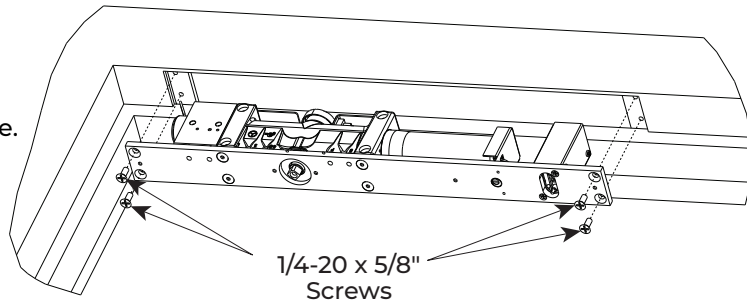
1. Remove Assembly Clips:

Carefully holding closer assembly remove assembly clips from back plate and inside frame.

**NOTE:** The assembly clips may be kept or disposed of once removed.

2. Mount Closer:

Slide closer up into slot cut in frame. Secure with (4) 1/4-20 x 5/8 phillips flat head screws provided. (Fig. 12)



**Fig. 12**



**CAUTION:** Use care to avoid damaging or pinching wires between frame and back plate.

### H. Install Track in Door.

1. Place track assembly in door cutout:

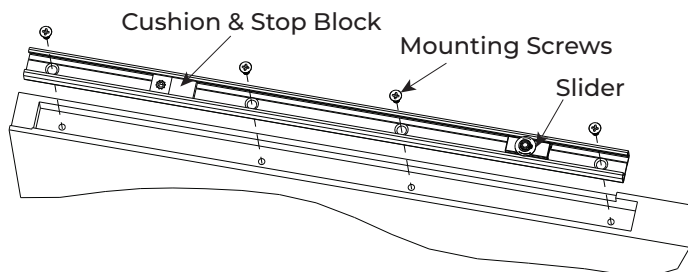
Opening in track to face up. Slide Cushion and Stop Block (if used) toward hinge or pivot.

2. Slider location track:

Move slider to the opposite end of the track with the shorter end of the slider toward the hinge or pivot.

3. Secure track:

Use (4) 1/4-20 x 7/16" phillips flat head undercut head screws for metal doors or (4) 14-14 x 1-1/4 phillips flat head wood/sheet metal screws to secure track to door.



**Fig. 13**

...continued on next page.

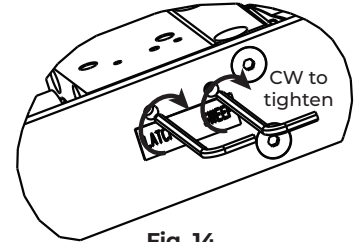
## Installation (cont.)

### I. Install Arm.

**NOTE:** All views from floor, looking upward.

1. Close Latch and Sweep valves:

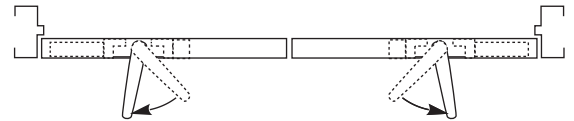
Turn both latch and sweep valve clockwise until fully closed using 1/8" Allen wrench provided. (Fig. 14)



**Fig. 14**

2. Preload Arm:

Position arm counterbore facing down and slide on pinion in dotted position shown below. Rotate arm approximately 45° and remove arm. (Fig. 15)



**Fig. 15**

3. Reattach arm:

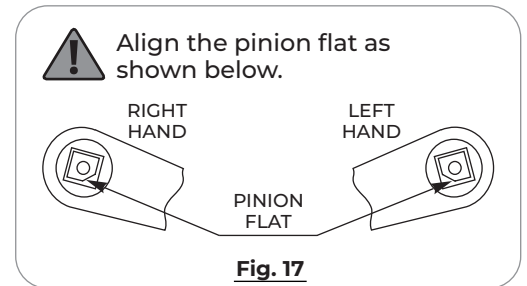
Reposition arm on pinion as shown below with pinion flat aligned as shown. (Fig. 16 & Fig. 17)



**Fig. 16**

4. Secure arm to pinion:

Using 1/4-20 x 5/8" phillips flat head screw with nylon patch and countersunk washer, secure arm to pinion.



**Fig. 17**

### J. Connect Arm to Track.

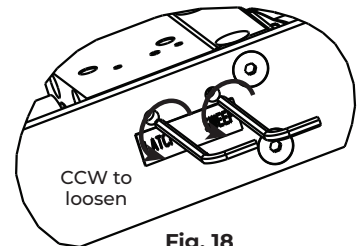
**NOTE:** All views from floor, looking upward.

1. Open Latch & Sweep valves:

Using 1/8" Allen wrench, turn latch and sweep valves counterclockwise 2 - 3 turns. (Fig. 18)

**CAUTION:**

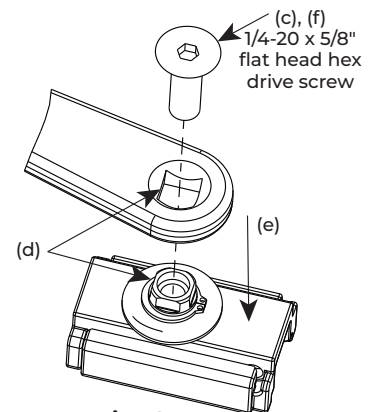
Do not back valves out of closer or a leak will result.



**Fig. 18**

2. Position arm over slider: (Fig. 19)

- Open door and rotate arm until end of arm aligns with slider.
- Place end of arm on slider.
- Insert 1/4-20 x 5/8" flat head hex drive screw provided through arm and start into slider stud.
- By hand, turn screw until flats on slider stud and square in arm align.
- Push down on arm to seat stud.
- Use 5/32" Allen wrench to tighten screw into stud.



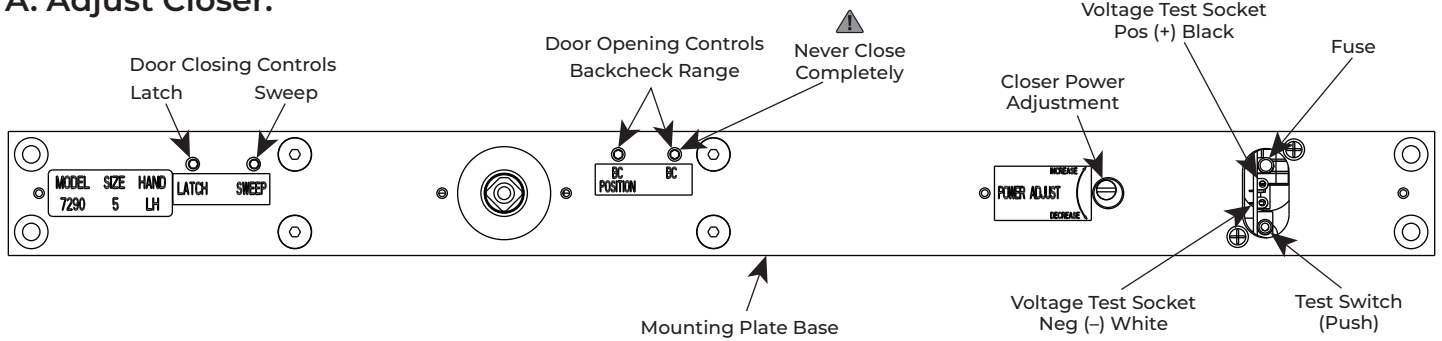
**Fig. 19**

# Models 7290 MPS & 7290 RFS

Selective Hold Open & Executive™ Door Release  
Holder Releasing Device with Rigid Side Arm

## Closer Adjustments

### A. Adjust Closer.



#### Power Adjustment:

Using a flat blade screwdriver, turn "Power Adjust" to increase or decrease spring force.

#### Closing Speed:

Using 1/8" allen wrench provided, adjust the Latch and Sweep valves.

**ATTENTION:** Adjust closing speed time to between 4 and 7 seconds from 90°.

Use of the door by people with disabilities, elderly, or small children may require greater closing time.

#### BackCheck:

Backcheck cushions or slows the opening of a door that is forced to travel faster than conditions require.

Backcheck is controlled by valves marked "BC Position" (open for backcheck to start at a greater door opening angle) and "BC" (for adjusting backcheck intensity).

**NOTE:** Never fully close BC valve.

**CAUTION:**  
Do not back valves  
out of closer or a  
leak will result.



### B. Perform Electrical Checks.

#### 1. Hold Open Check:

Turn power to the unit "On". Open door to hold open position and release door so door stays in hold open. Manually quickly pull door out of hold open and release - door should close. If Hold Open is not in desired location, unit must be removed from frame and cam adjusted for more or less degree of hold open.

#### 2. Hook-up Box Testing:

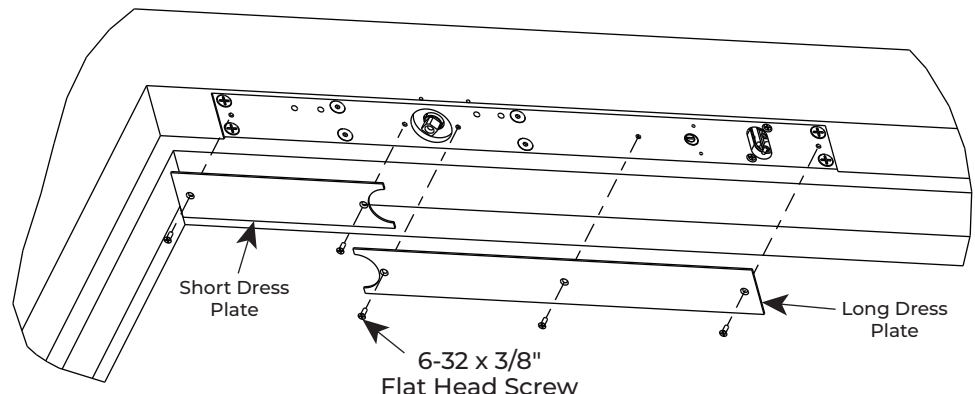
Open door to the hold open position. Depress "Test Switch" button on hook-up board, accessible through cutout in hook-up box and mounting plate (see illustration above). Door should close.

## Final Steps

### Install Dress Plates.

Once testing and set up are complete, attach the long and short dress plates to back plate using 6-32 x 3/8" flat head phillips screws provided

- (2) on short dress plate
- (3) on long dress plate.



---

Technical Product Support:  
Monroe, NC 28112 USA  
Phone: 877.974.2255 ext: 2  
Techsupport.NortonRixson@assaabloy.com  
NortonRixson.com

Norton Rixson is a brand associated with ASSA ABLOY Accessories and Door Controls Group, Inc., an ASSA ABLOY Group company.  
Copyright © 2002, 2014, 2024, 2026, ASSA ABLOY Accessories and Door Controls Group, Inc. All rights reserved. Reproduction in whole or in part without the express written permission of ASSA ABLOY Accessories and Door Controls Group, Inc. is prohibited.

**Approved 2026-04-22**