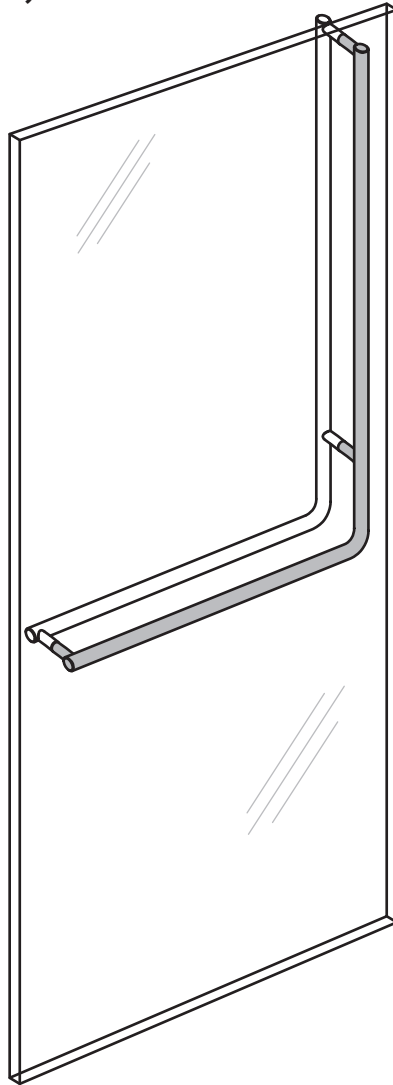


The global leader in
door opening solutions

Dummy Device DDU8000-1 (Full-Height L-Shaped Pull)



Specifications:

MATERIAL:

Stainless Steel

DOOR TYPES:

- Glass, Wood, Metal

GLASS DOOR APPLICATIONS:

- Glass Mounted
- Rail Mounted

HANDING:

- Right-Hand Reverse (swing 3)
- Left-Hand Reverse (swing 4)
- Right Hand (swing 5)
- Left Hand (swing 6)

OPTIONS:

2-Piece Modular Dummy Device

Available Finishes:

- US32/629
- US32D/630
- US32316
- US32D316
- US32DMS
- US32D (device)/
US32 (push area)
- 314E
- 10BE/Stock
Powder Coats
- BSP (Black Suede
Powder Coat)
- OptiCoat™
(13 standard
finishes)

DIMENSIONS:

Grip: \varnothing 1 1/4"

Projection: 3"

Engraving
Options Available

300 Main Street
Rockwood, Pennsylvania 15557
P: 855.594.6989 • F: 844.851.8665
www.assaabloyglass.us
Orders.GlassSolutions@assaabloy.com • TechSupport.GlassSolutions@assaabloy.com