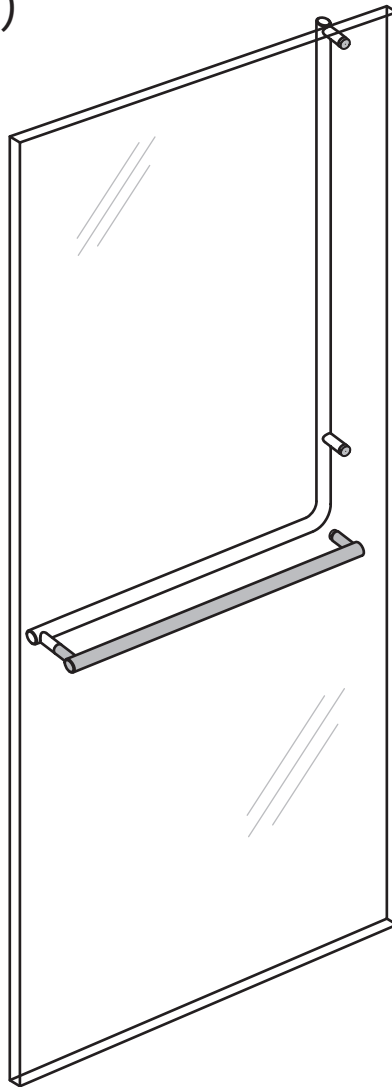


The global leader in  
door opening solutions

## Dummy Device DDU8000-6 (Horizontal Straight Pull)



### Specifications:

#### MATERIAL:

Stainless Steel

#### DOOR TYPES:

- Glass, Wood, Metal

#### GLASS DOOR APPLICATIONS:

- Glass Mounted
- Rail Mounted

#### HANDING:

- Right-Hand Reverse (swing 3)
- Left-Hand Reverse (swing 4)
- Right Hand (swing 5)
- Left Hand (swing 6)

#### OPTIONS:

2-Piece Modular Dummy Device

### Available Finishes:

- US32/629
- US32D/630
- US32316
- US32D316
- US32DMS
- US32D (device)/  
US32 (push area)
- 314E
- 10BE/Stock  
Powder Coats
- BSP (Black Suede  
Powder Coat)
- OptiCoat™  
(13 standard  
finishes)

#### DIMENSIONS:

Grip:  $\varnothing$  1 1/4"

Projection: 3"

Engraving  
Options Available

300 Main Street  
Rockwood, Pennsylvania 15557  
P: 855.594.6989 • F: 844.851.8665  
[www.assaabloyglass.us](http://www.assaabloyglass.us)  
Orders.[GlassSolutions@assaabloy.com](mailto:GlassSolutions@assaabloy.com) • TechSupport.[GlassSolutions@assaabloy.com](mailto:GlassSolutions@assaabloy.com)